



US00D939010S

(12) **United States Design Patent**
Liu

(10) **Patent No.:** **US D939,010 S**
(45) **Date of Patent:** **** Dec. 21, 2021**

(54) **GIMBAL CAMERA**

(71) Applicant: **Autel Robotics Co., Ltd.**, Guangdong (CN)

(72) Inventor: **Zhengwen Liu**, Guangdong (CN)

(73) Assignee: **AUTEL ROBOTICS CO., LTD.**, Shenzhen (CN)

(**) Term: **15 Years**

(21) Appl. No.: **29/718,731**

(22) Filed: **Dec. 27, 2019**

(30) **Foreign Application Priority Data**

Jun. 28, 2019 (CN) 201930341372.4

(51) **LOC (13) Cl.** **16-01**

(52) **U.S. Cl.**
USPC **D16/218; D16/202**

(58) **Field of Classification Search**

USPC D16/200, 202–206, 208, 211, 214, 218, D16/219, 237, 242, 244; D14/130, 132, D14/144; D10/104.1, 104.2, 106.1, D10/106.2, 106.5; 348/164, 347, 348/373–376; 396/535, 539–541; 250/330, 332

CPC G03B 15/00; G03B 15/03; G03B 17/02; G03B 17/04; G03B 17/56; G03B 19/04; H04N 5/2251; H04N 5/2252; H04N 5/2253; H04N 5/2254; H04N 2101/00; F16M 11/04; F16M 13/00

See application file for complete search history.

(56) **References Cited**

U.S. PATENT DOCUMENTS

D694,802 S * 12/2013 Coyle D16/237
D732,601 S * 6/2015 Coyle D16/237

D738,951 S * 9/2015 Coyle D16/237
D754,242 S * 4/2016 Wang D16/242
D771,733 S * 11/2016 Wang D16/242
D790,000 S * 6/2017 Wang D16/200
D799,581 S * 10/2017 Lin D16/242
D813,924 S * 3/2018 Zheng D16/203
D816,150 S * 4/2018 Liao D16/242
D836,699 S * 12/2018 Kim D16/206
D874,532 S * 2/2020 Chen D16/202
D891,503 S * 7/2020 Wang D16/218
D894,993 S * 9/2020 Hurndell D16/218

* cited by examiner

Primary Examiner — Ramzi Almatrahi

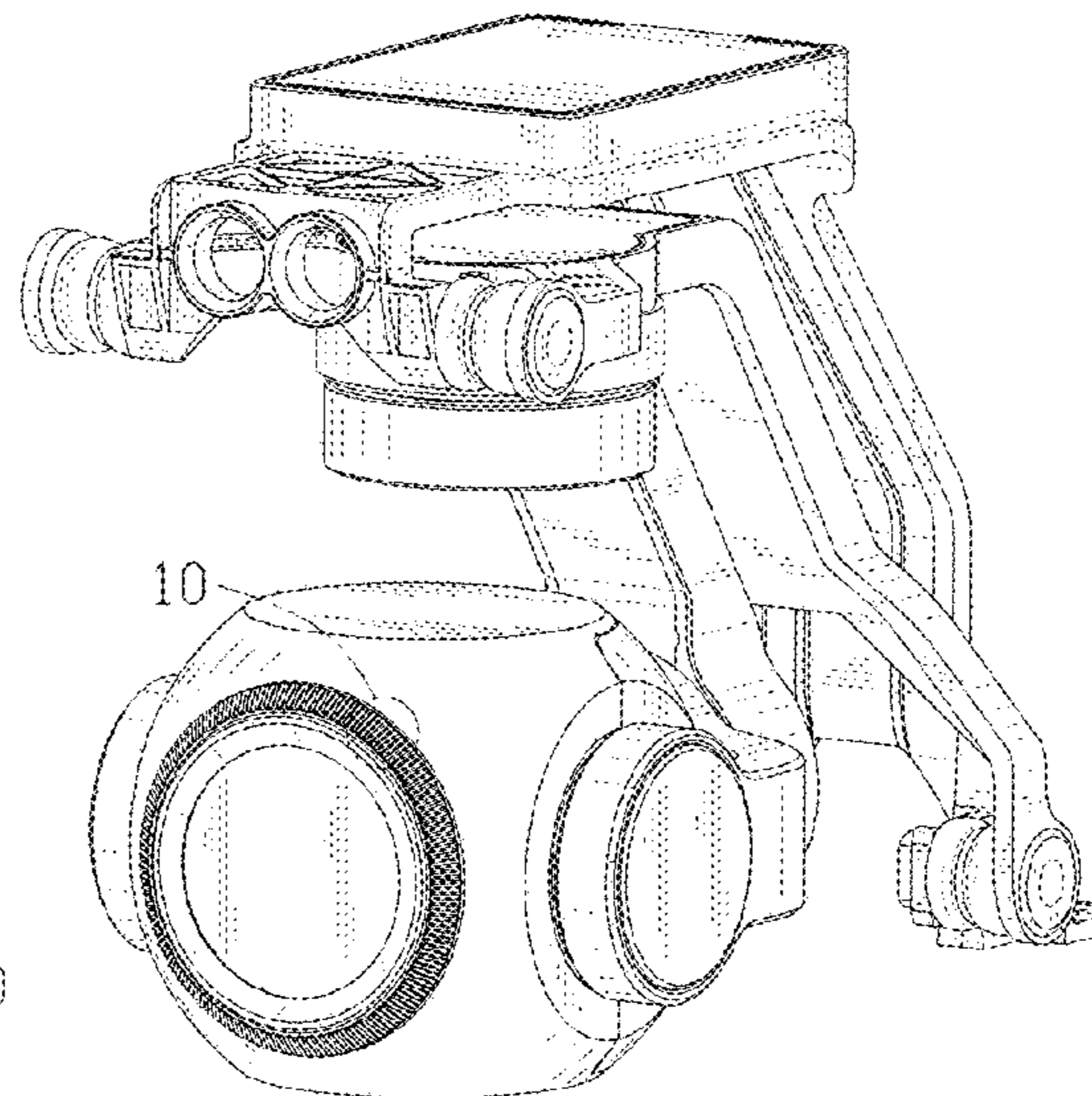
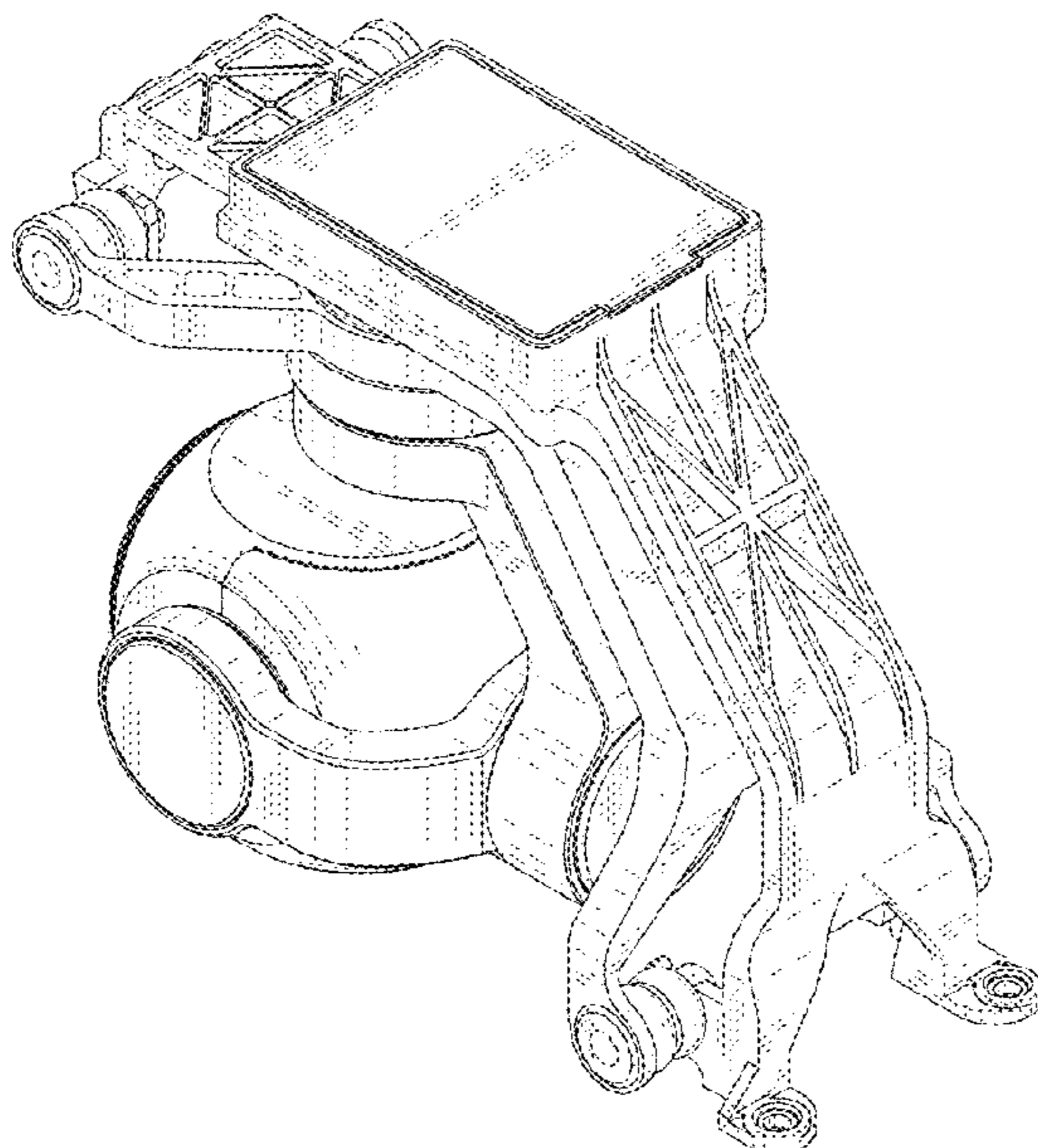
(57) **CLAIM**

The ornamental design for a gimbal camera, as shown and described.

DESCRIPTION

FIG. 1 is a front elevational view of a gimbal camera showing my new design;
FIG. 2 is a back elevational view thereof;
FIG. 3 is a left side elevational view thereof;
FIG. 4 is a right side elevational view thereof;
FIG. 5 is a top plan view thereof;
FIG. 6 is a bottom plan view thereof;
FIG. 7 is a bottom, front and left side perspective view thereof;
FIG. 8 is a top, back and right side perspective view thereof;
FIG. 9 is a top, front and right side perspective view thereof; and,
FIG. 10 is an enlarged view of portion 10 shown in FIG. 9. The broken lines depict portions of the gimbal camera in which the design is embodied that form no part of the claimed design. The dot-dash broken lines encircling an enlargement portion of the design forms no part of the claimed design.

1 Claim, 10 Drawing Sheets



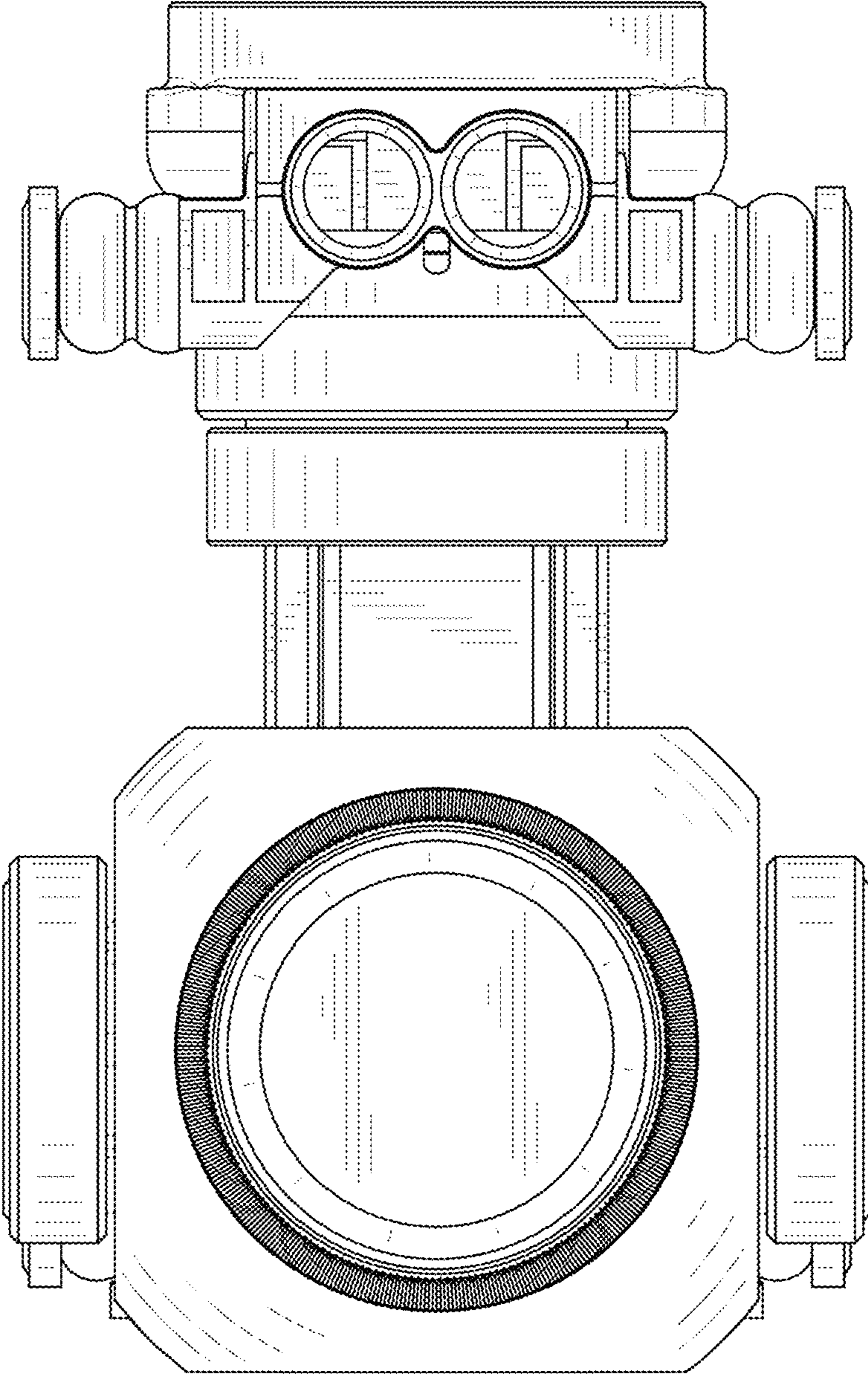


Fig. 1

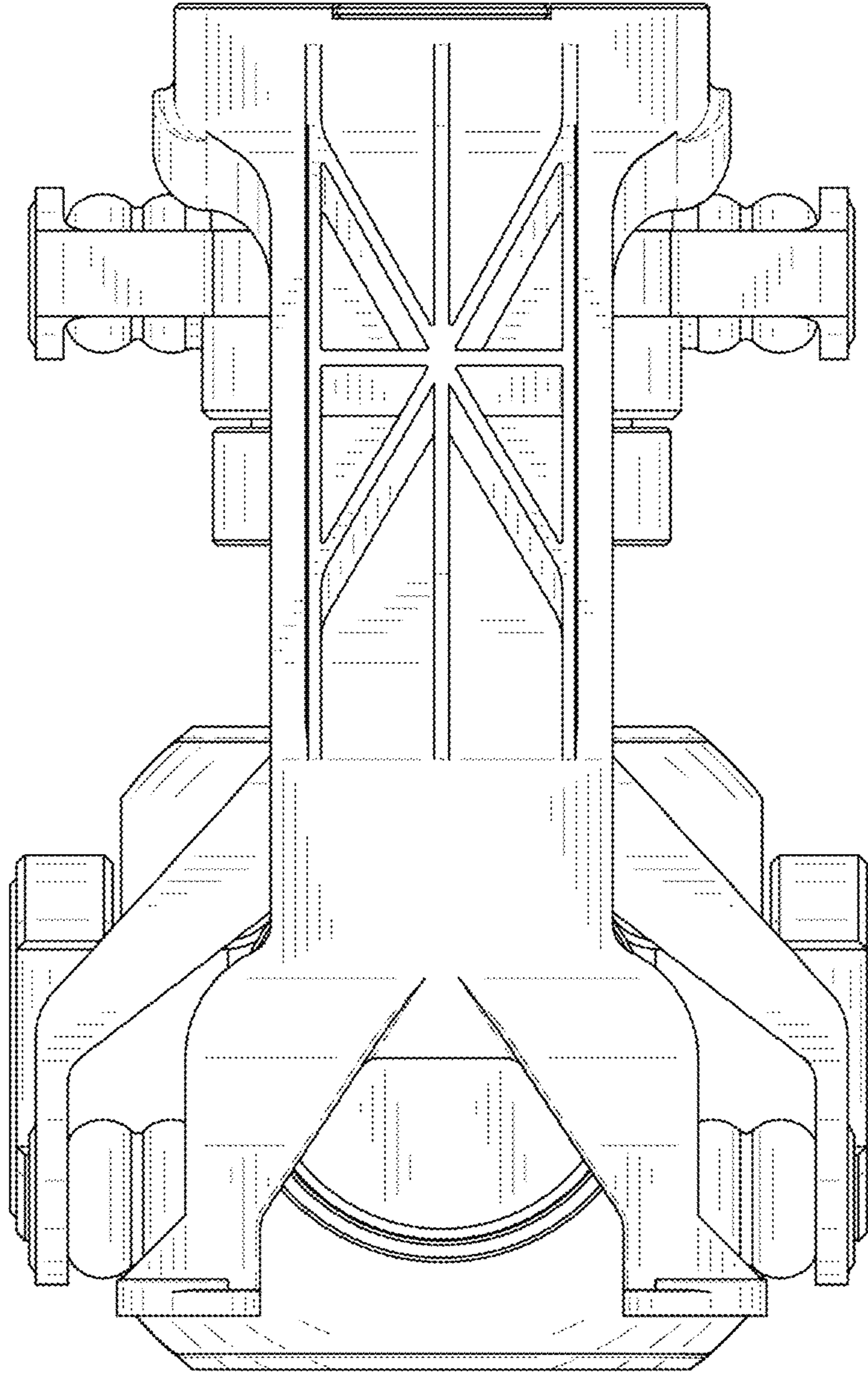


Fig. 2

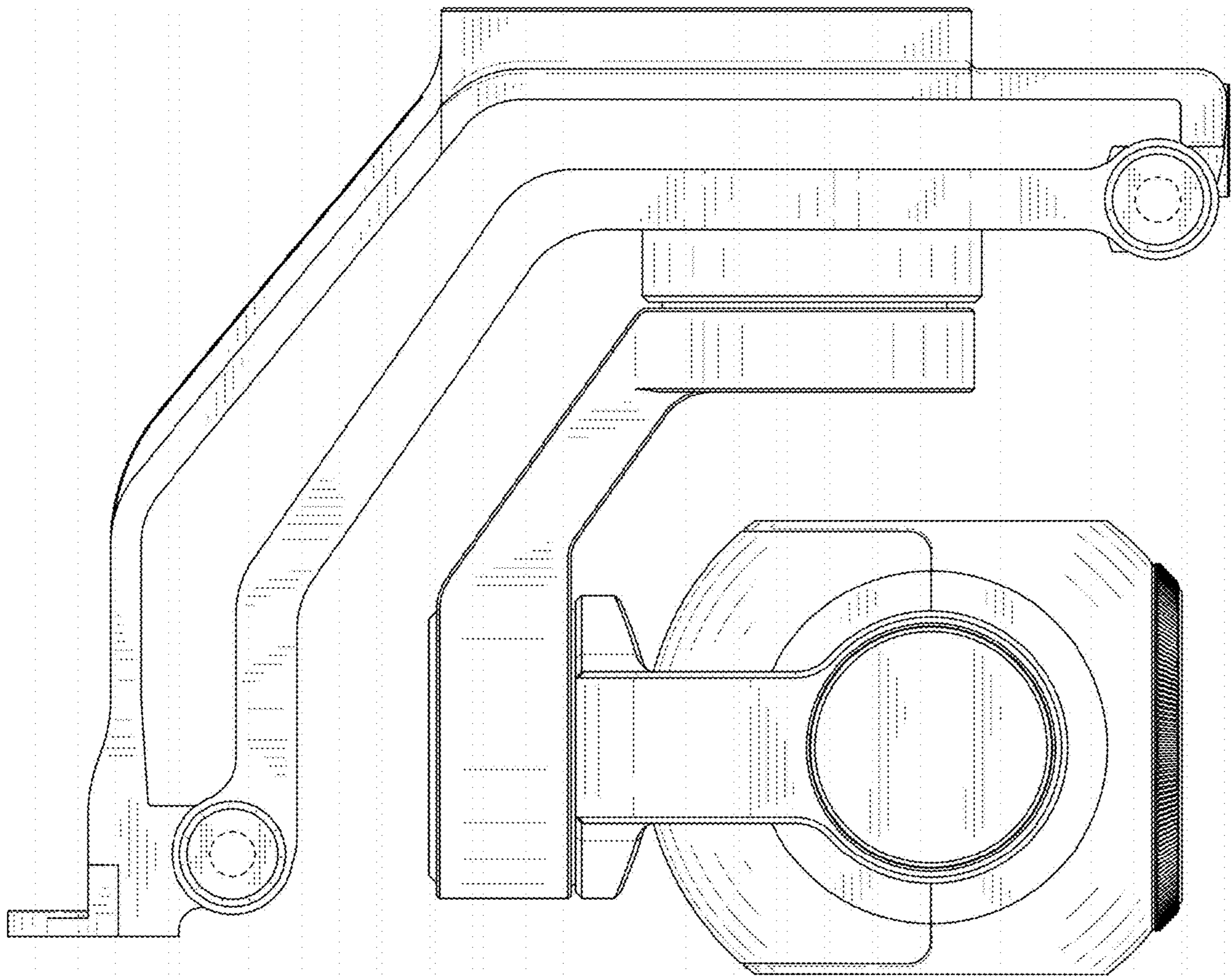


Fig. 3

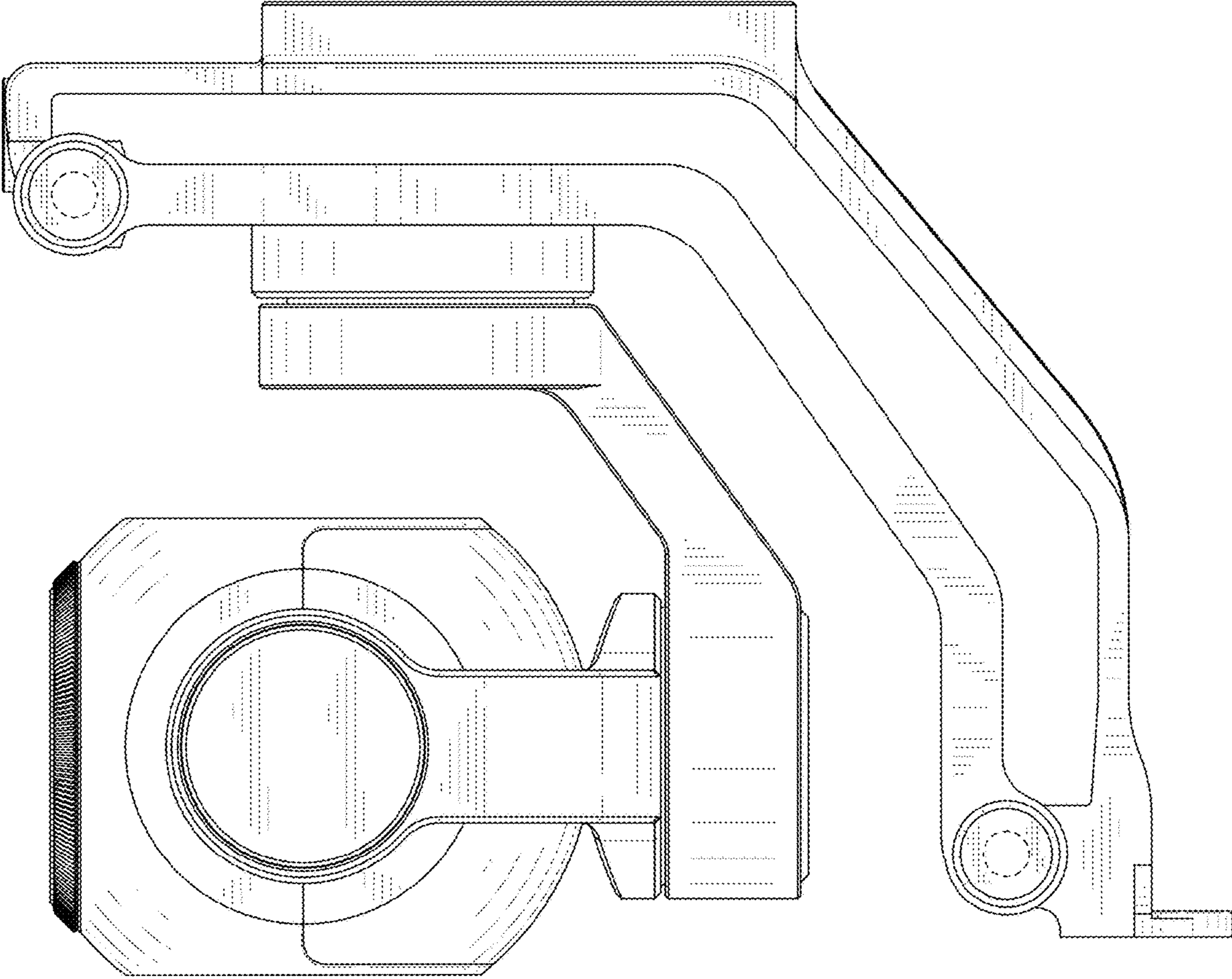


Fig. 4

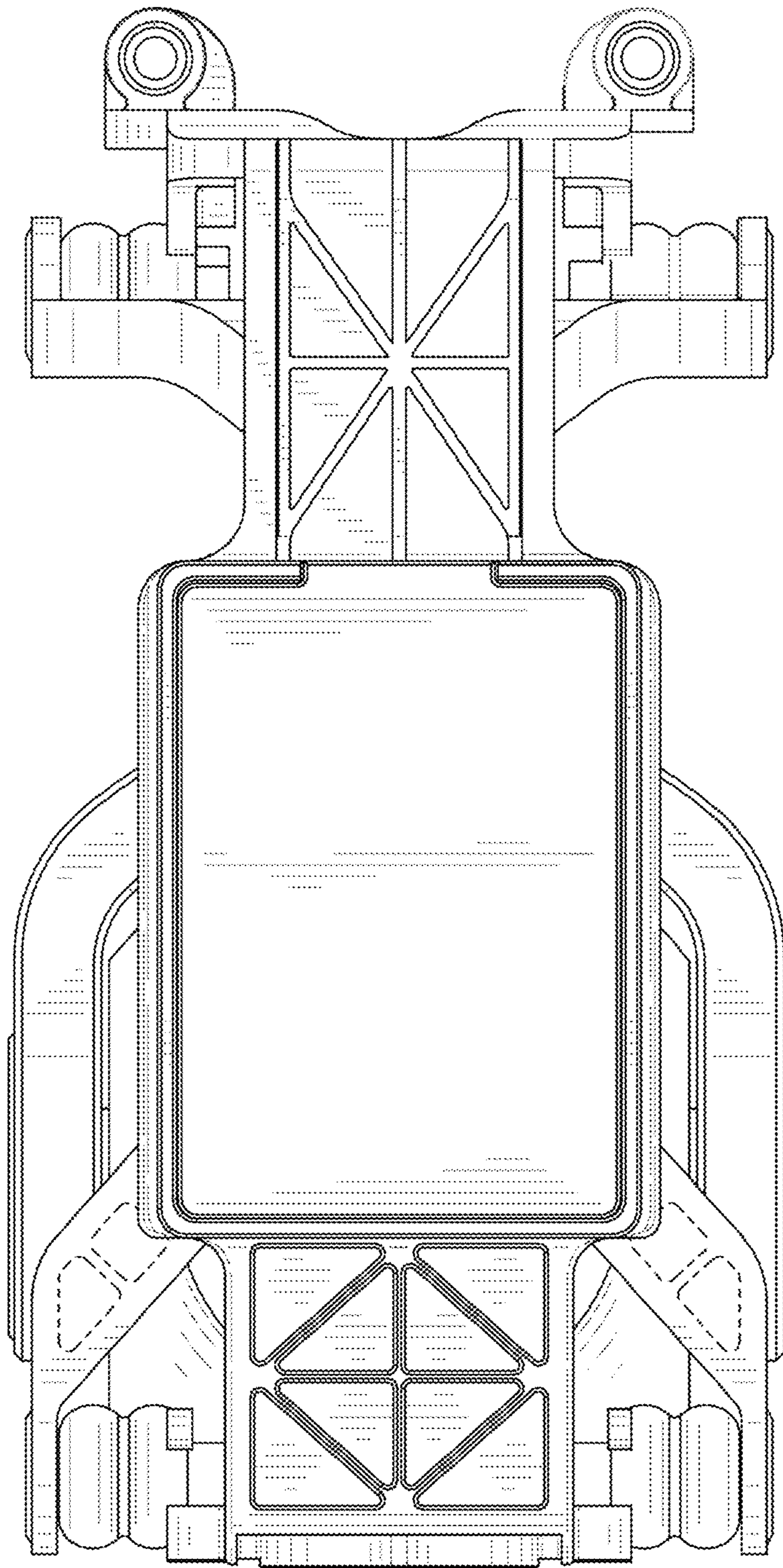


Fig. 5

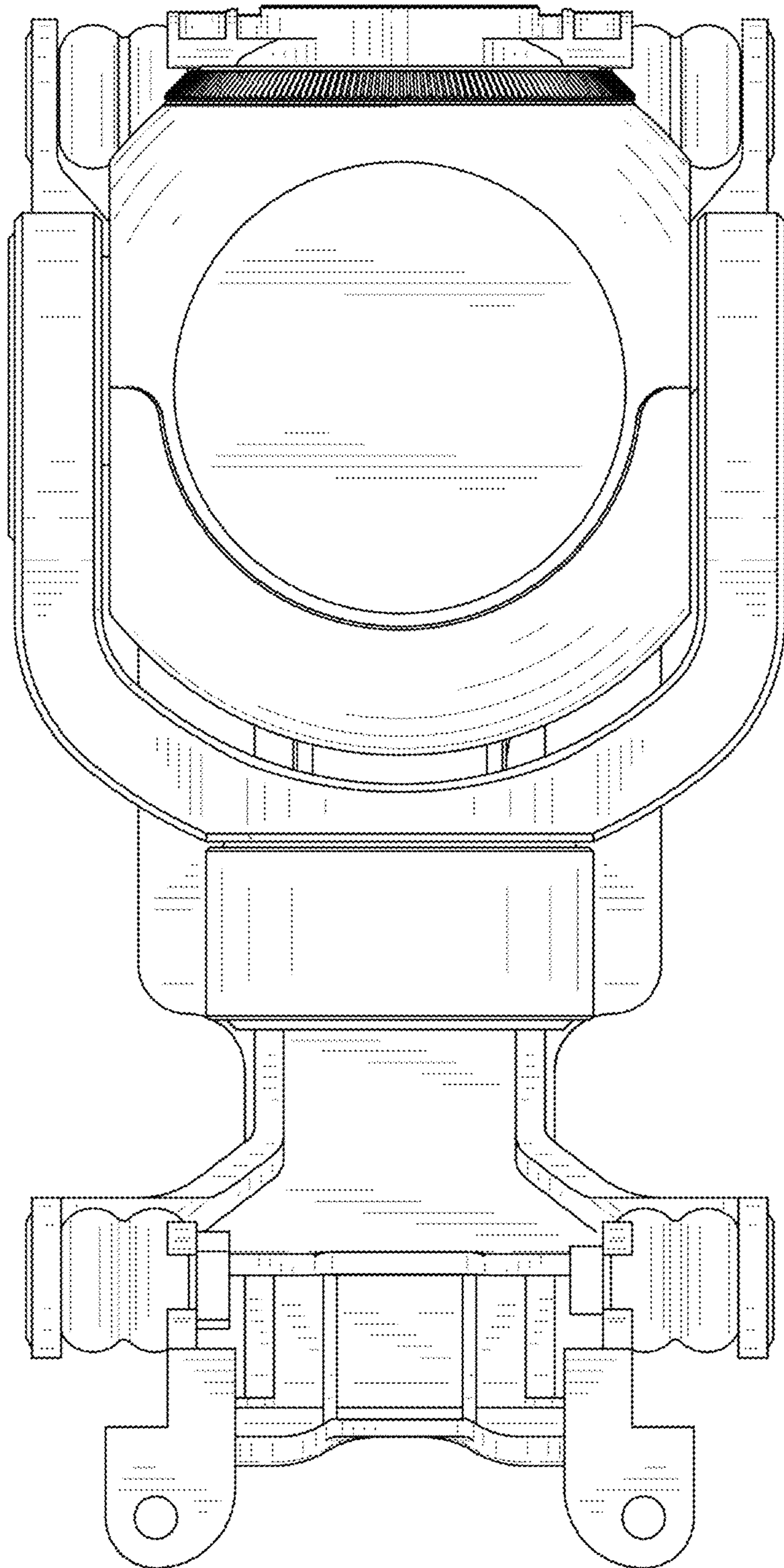


Fig. 6

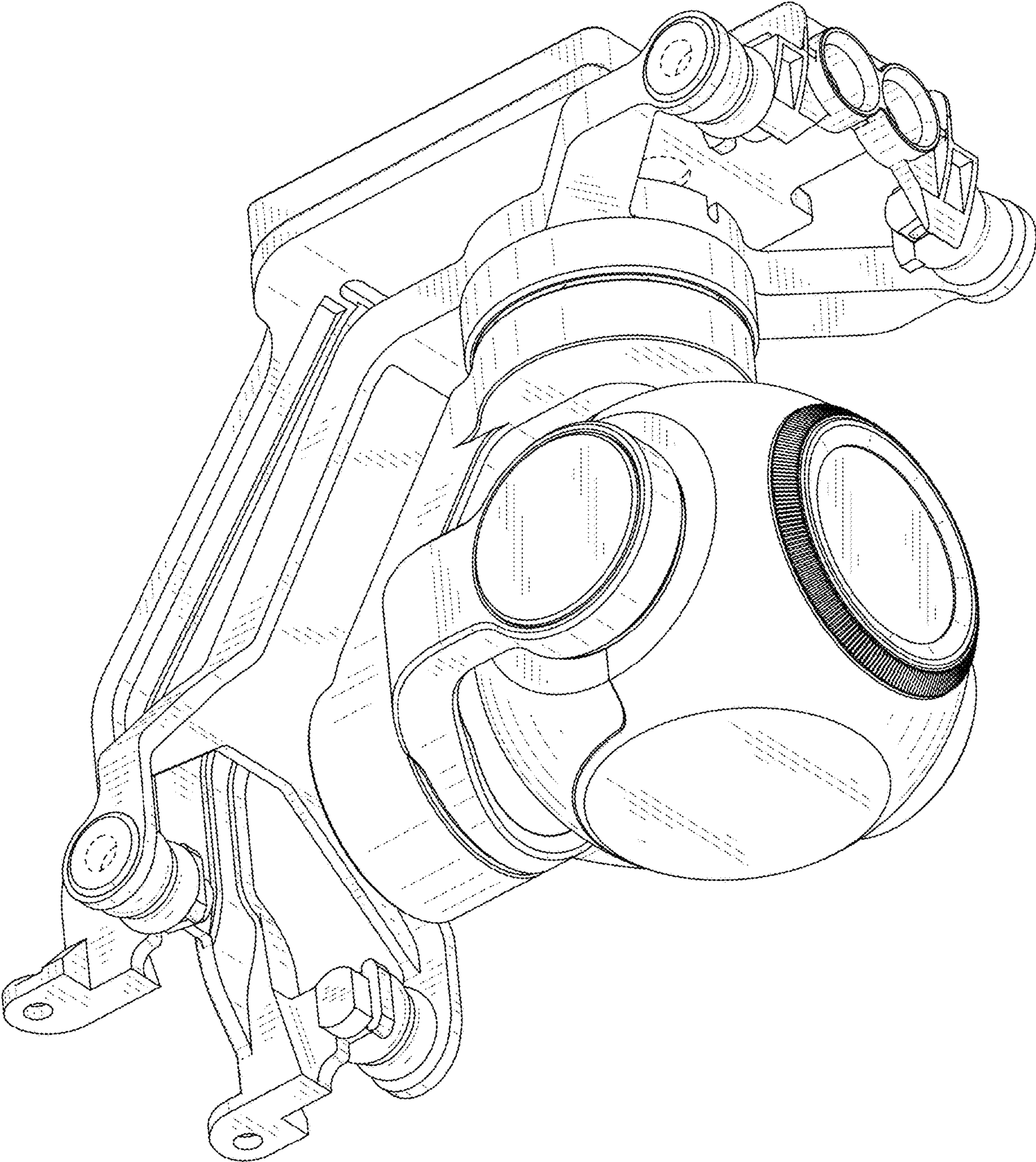


Fig. 7

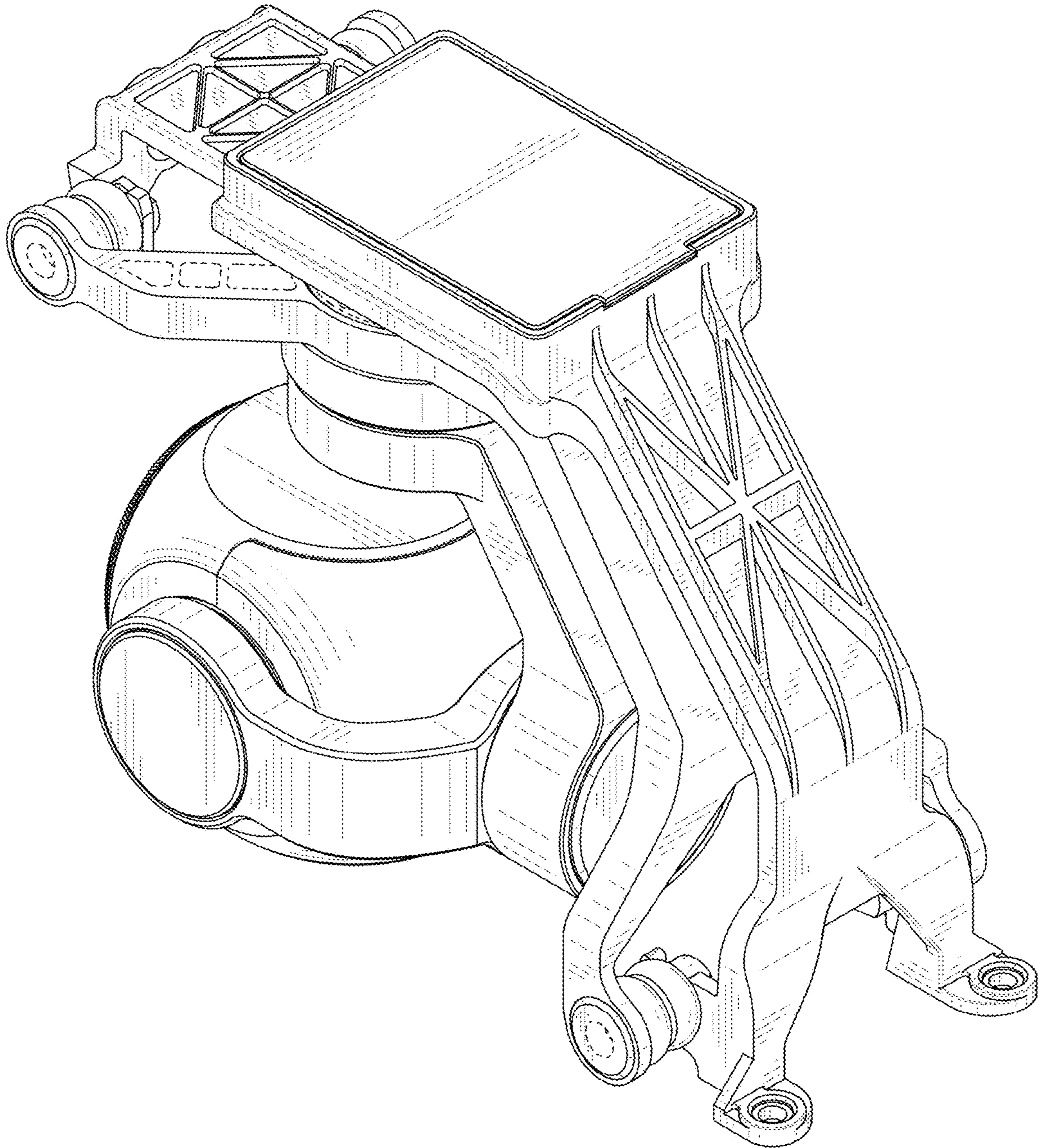


Fig. 8

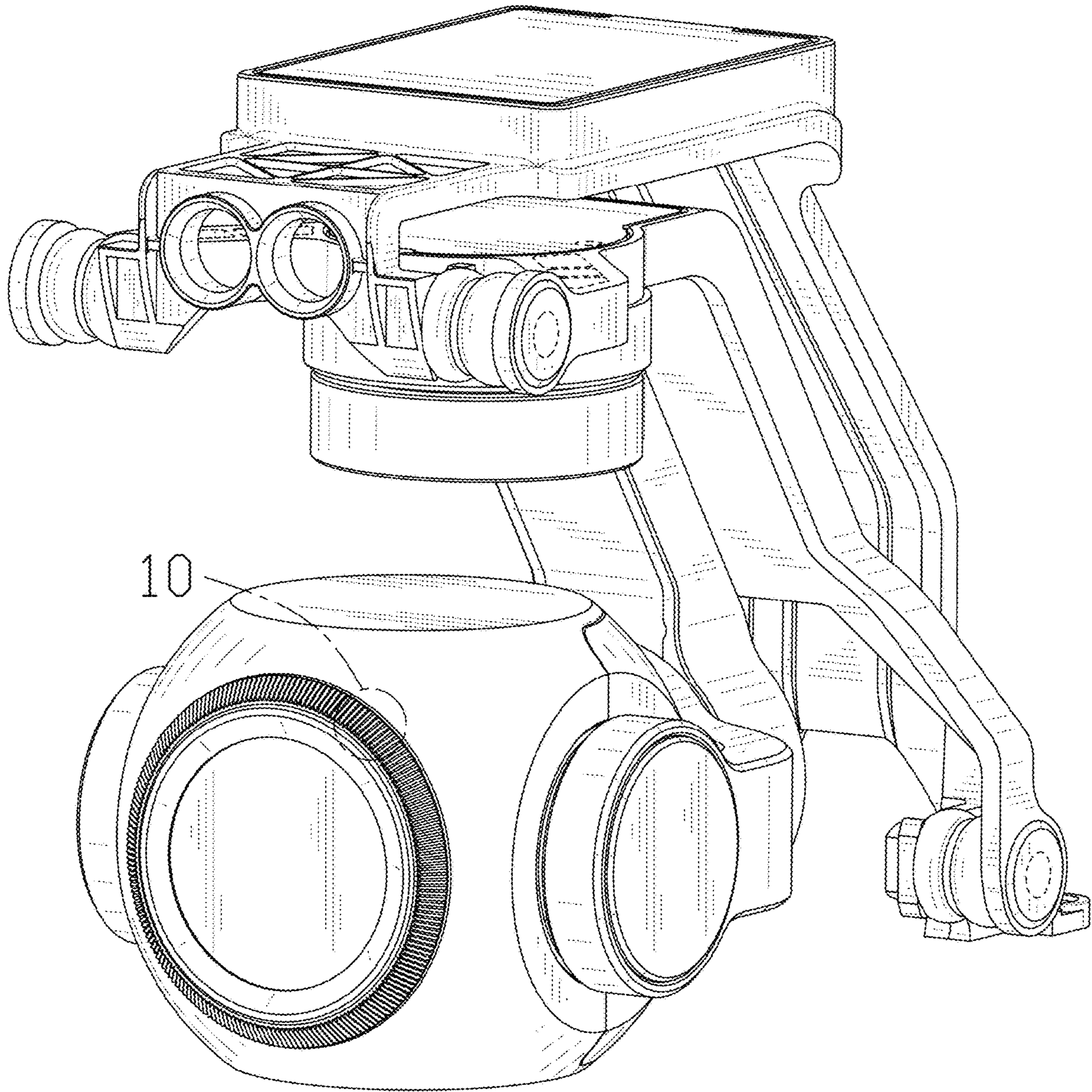


Fig. 9

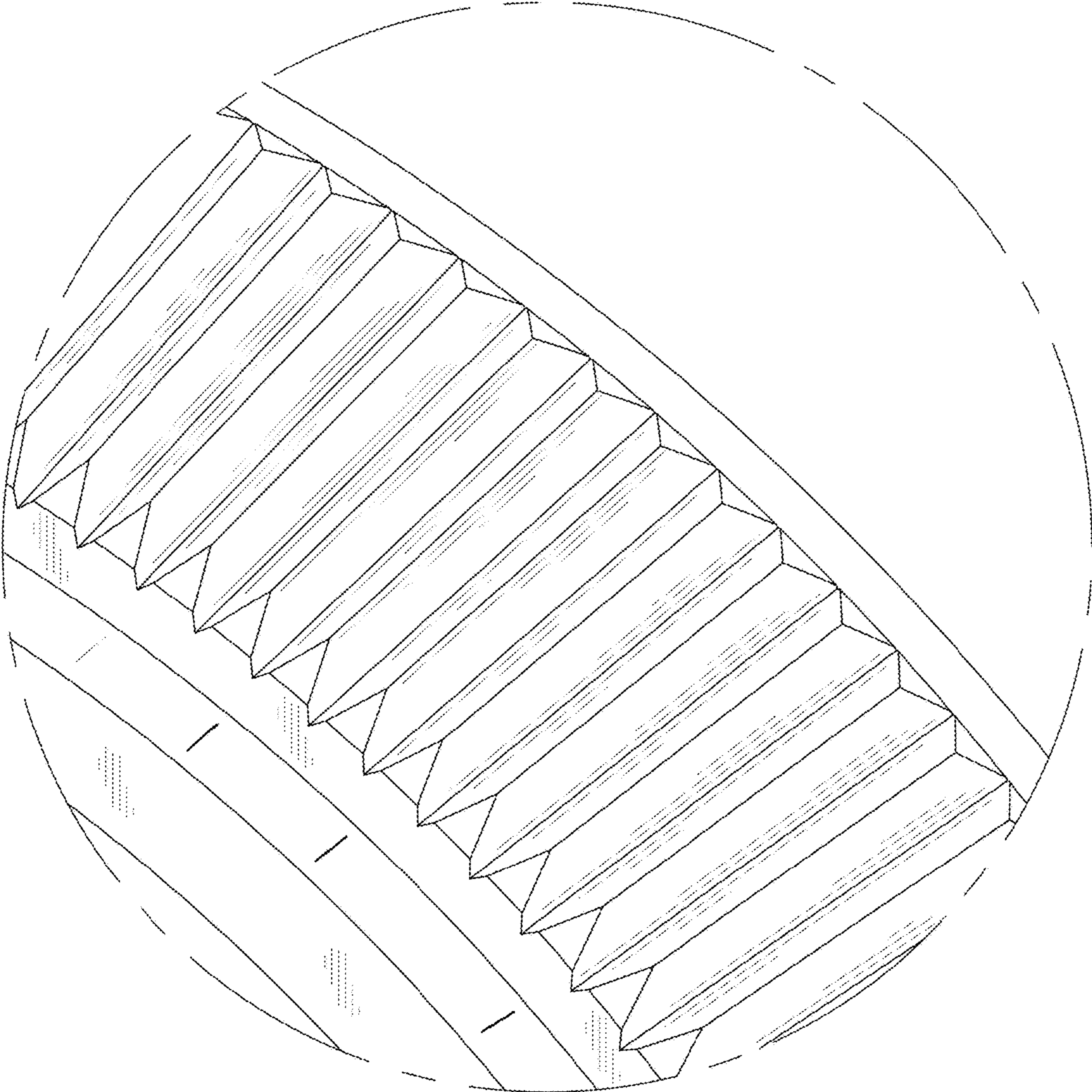


Fig. 10