



US00D939008S

(12) **United States Design Patent**  
**Jiang**

(10) **Patent No.:** **US D939,008 S**

(45) **Date of Patent:** **\*\* Dec. 21, 2021**

(54) **TRAIL CAMERA**

(71) Applicant: **SHENZHEN ZHUOPU DIGITAL TECHNOLOGY CO., LTD.**, Shenzhen (CN)

(72) Inventor: **Qingwen Jiang**, Shenzhen (CN)

(73) Assignee: **SHENZHEN ZHUOPU DIGITAL TECHNOLOGY CO., LTD.**, Shenzhen (CN)

(\*\*) Term: **15 Years**

(21) Appl. No.: **29/763,752**

(22) Filed: **Dec. 23, 2020**

(51) **LOC (13) Cl.** ..... **16-01**

(52) **U.S. Cl.**  
USPC ..... **D16/203**

(58) **Field of Classification Search**

USPC ..... D16/200, 202–206, 218, 219, 242;  
348/143, 148, 151, 155, 164, 373–376;  
396/419, 427, 535, 539–541

CPC ..... G03B 17/02; G03B 19/04; G03B 17/56;  
G03B 17/04; G03B 15/03; H04N 5/2251;  
H04N 5/2252; H04N 5/2253; H04N  
5/2254; H04N 7/181; H04N 7/183; H04N  
7/18; G08B 13/1963; G08B 13/19619;  
G08B 13/19632; G08B 13/19602; G08B  
13/19634; F16M 11/04; F16M 13/00

See application file for complete search history.

(56) **References Cited**

**U.S. PATENT DOCUMENTS**

7,534,056 B2 \* 5/2009 Cross ..... F16M 11/10  
348/143  
D833,506 S \* 11/2018 Chen ..... D16/218

D865,023 S *	10/2019	Chen	.....	D16/203
D872,791 S *	1/2020	Chen	.....	D16/203
D874,537 S *	2/2020	Ye	.....	D16/203
D874,546 S *	2/2020	Yu	.....	D16/218
D875,162 S *	2/2020	Yu	.....	D16/218
D875,807 S	2/2020	Luo		
D880,555 S *	4/2020	Yu	.....	D16/203
D883,358 S *	5/2020	Ren	.....	D16/203
D883,359 S *	5/2020	Ren	.....	D16/203
D883,360 S *	5/2020	Ren	.....	D16/203
D883,361 S *	5/2020	Ren	.....	D16/203
D884,049 S	5/2020	Wang		
D894,252 S *	8/2020	Han	.....	D16/203

\* cited by examiner

*Primary Examiner* — Ramzi Almatrahi

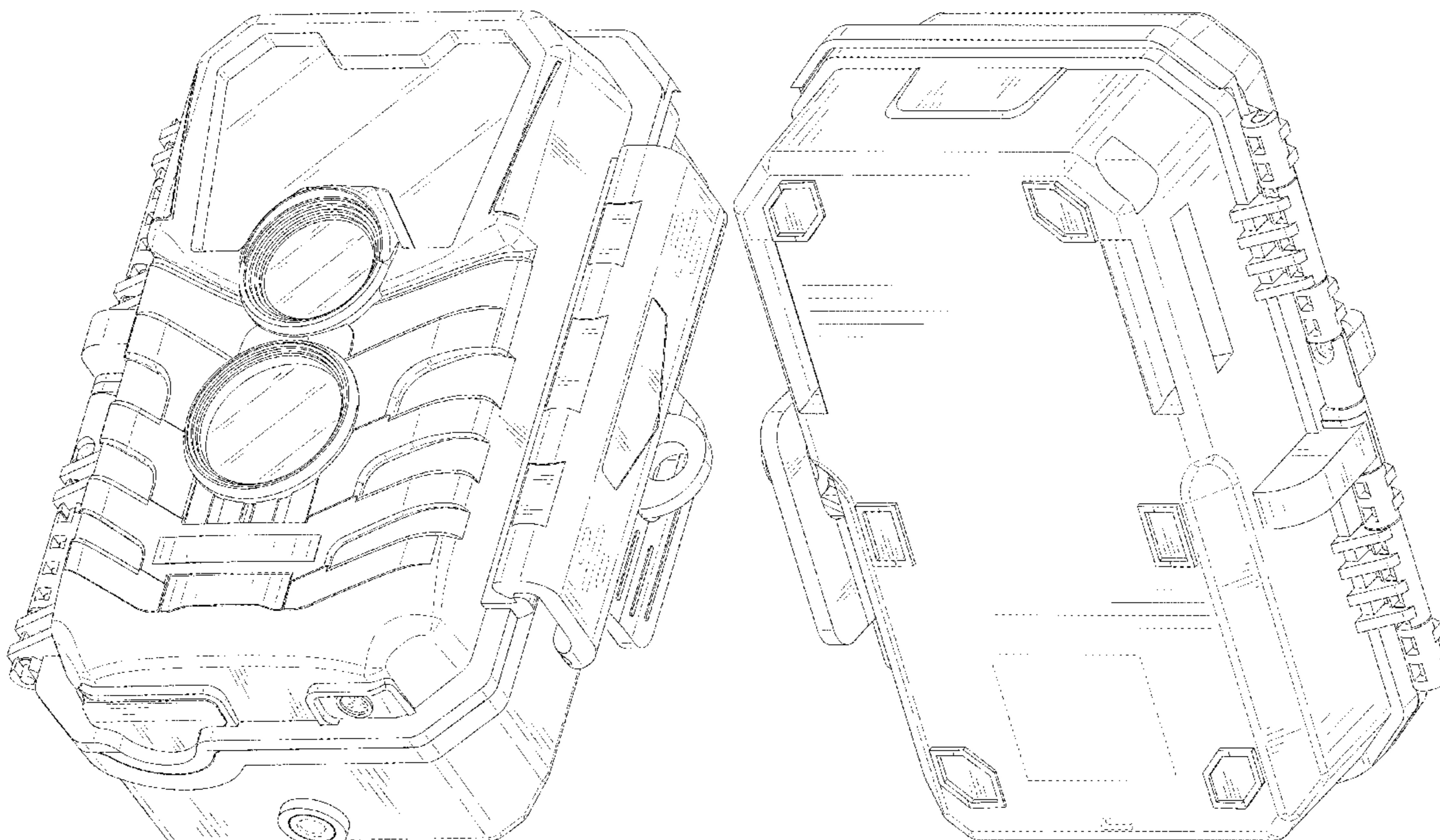
(57) **CLAIM**

The ornamental design for a trail camera, as shown and described.

**DESCRIPTION**

FIG. 1 is a bottom, front and right side perspective view of a trail camera showing my new design; FIG. 2 is a top, rear and left side perspective view thereof; FIG. 3 is a front elevational view thereof; FIG. 4 is a rear elevational view thereof; FIG. 5 is a left side elevational view thereof; FIG. 6 is a right side elevational view thereof; FIG. 7 is a top plan view thereof; and, FIG. 8 is a bottom plan view thereof. The broken lines in the drawings depict portions of the trail camera that form no part of the claimed design.

**1 Claim, 8 Drawing Sheets**



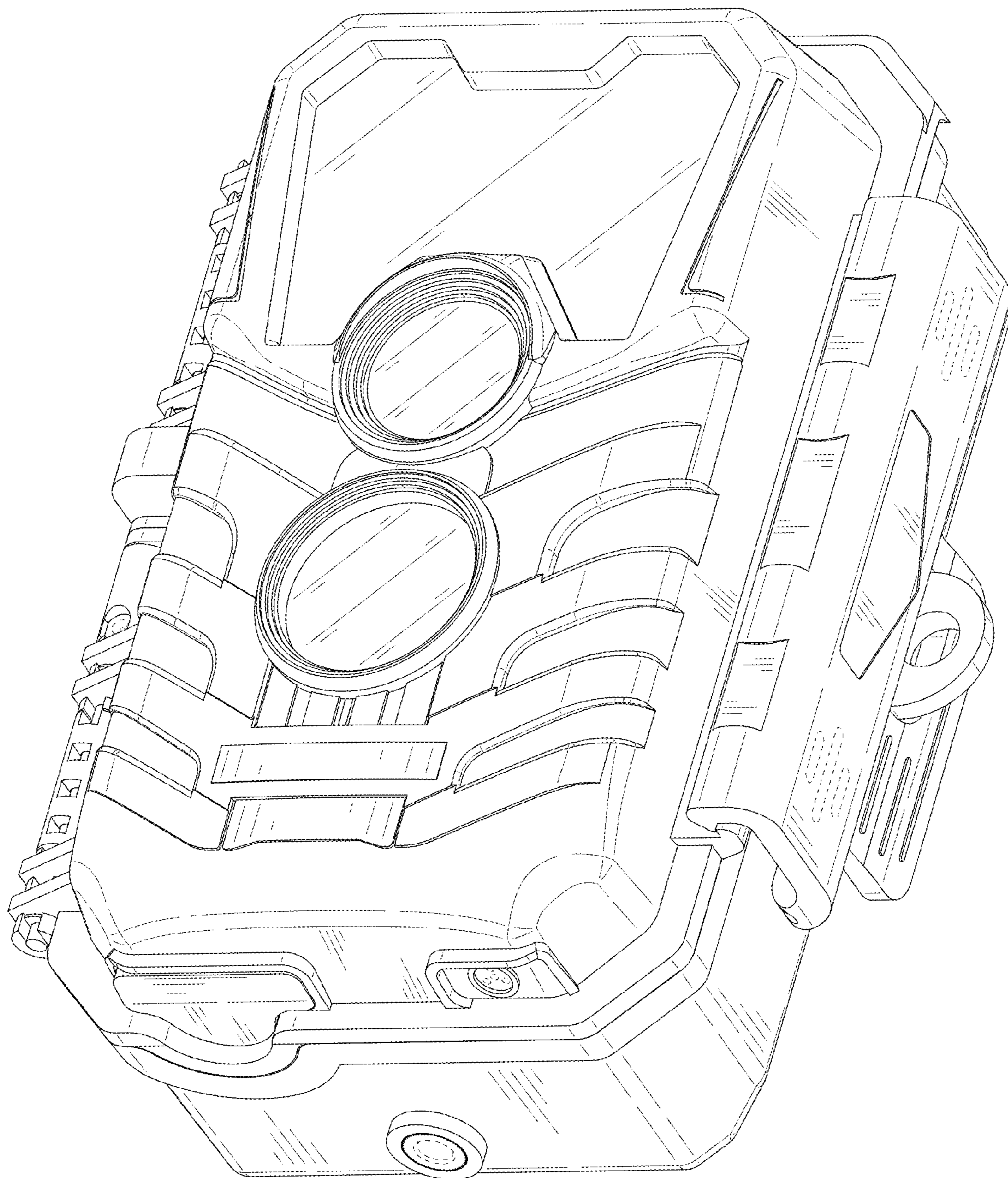


FIG. 1



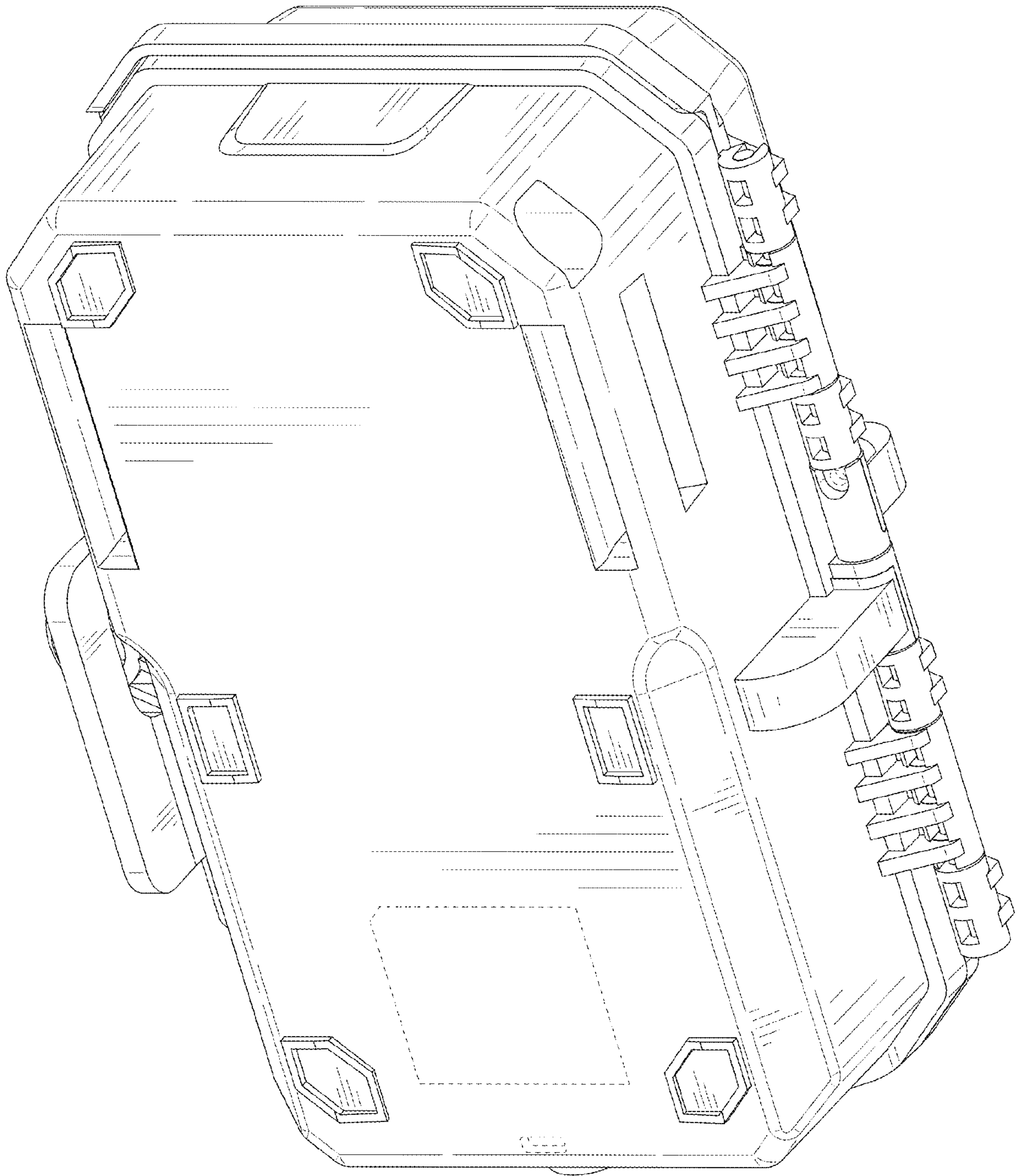


FIG. 2

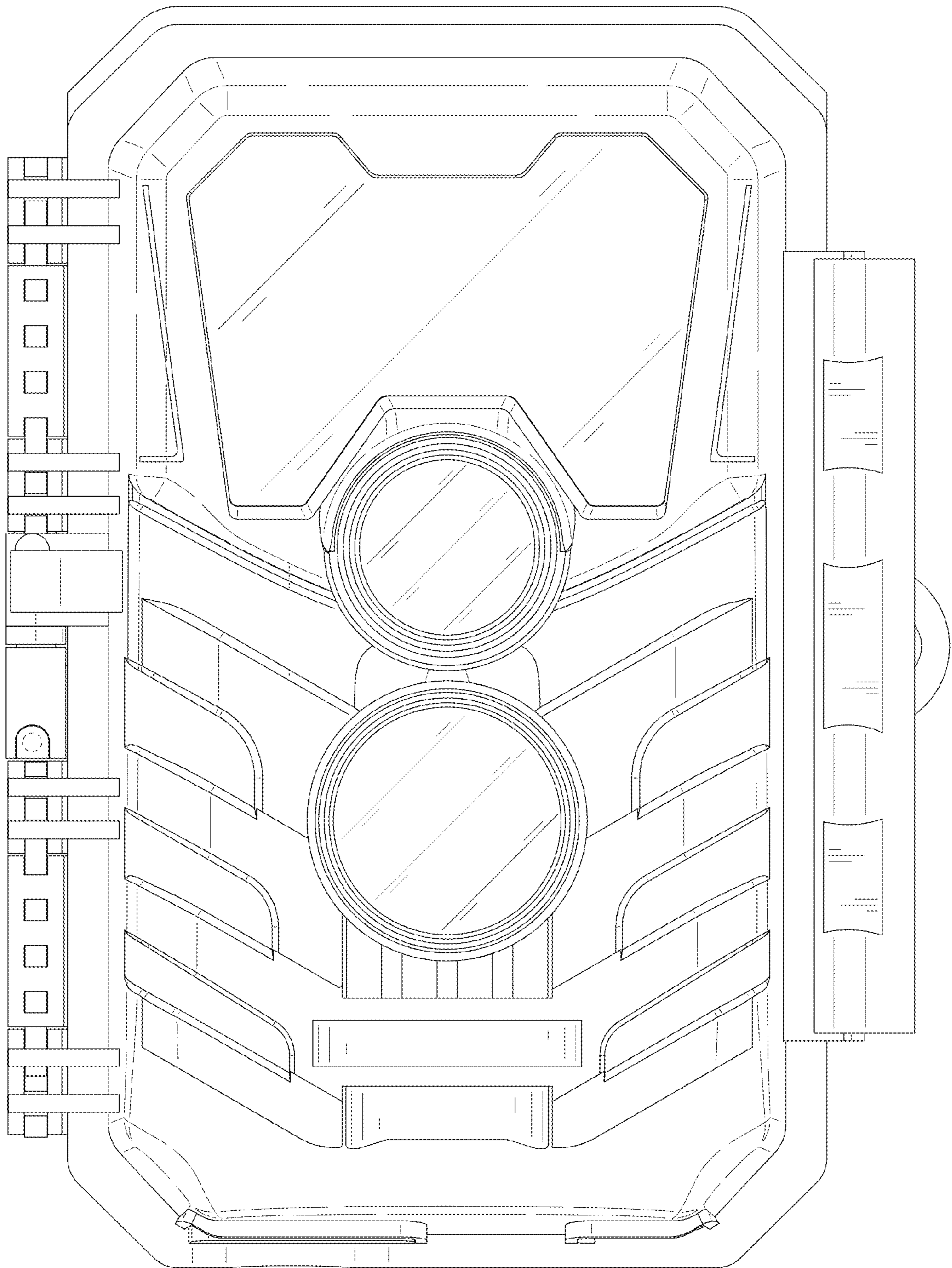


FIG. 3

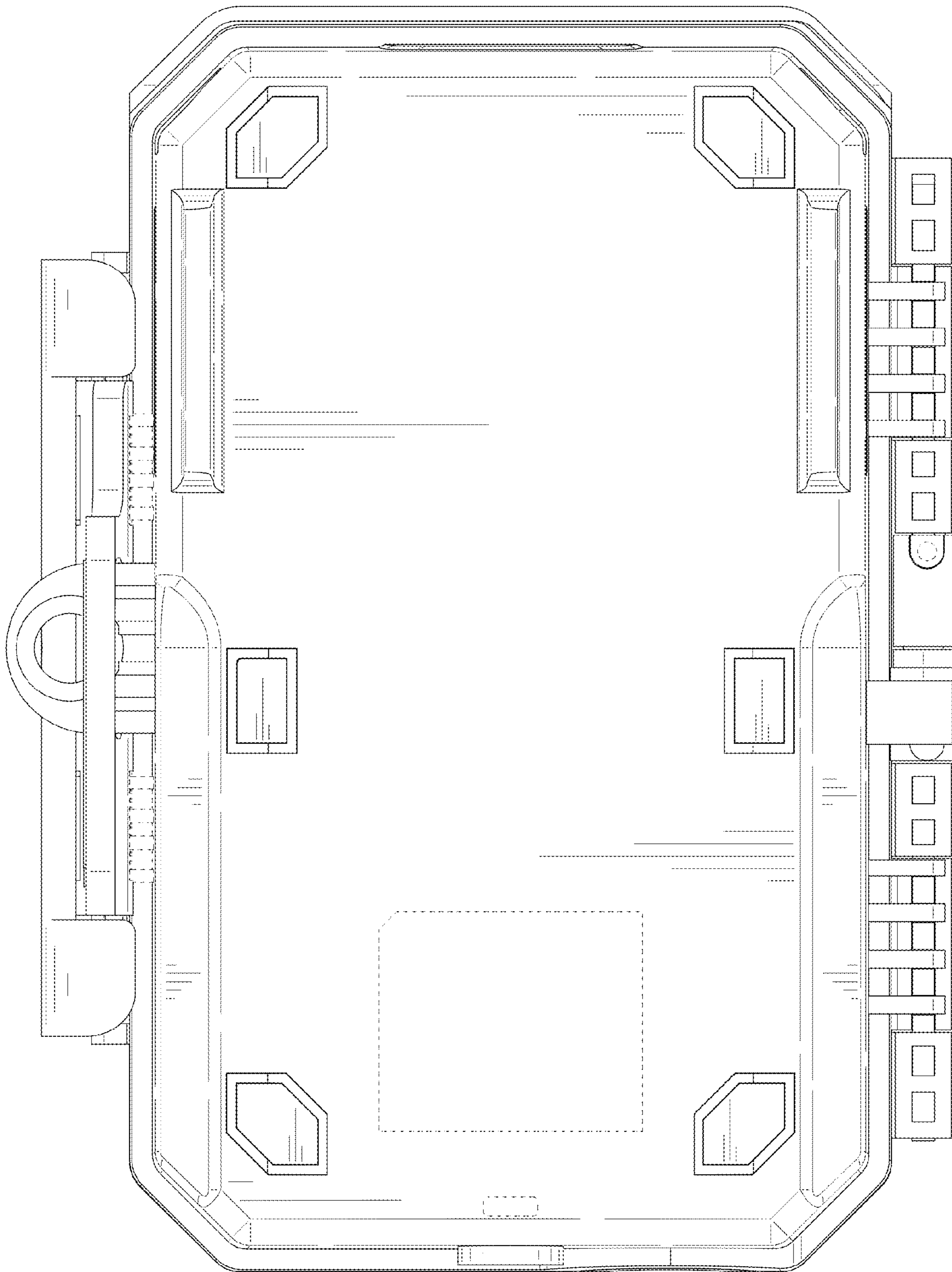


FIG. 4



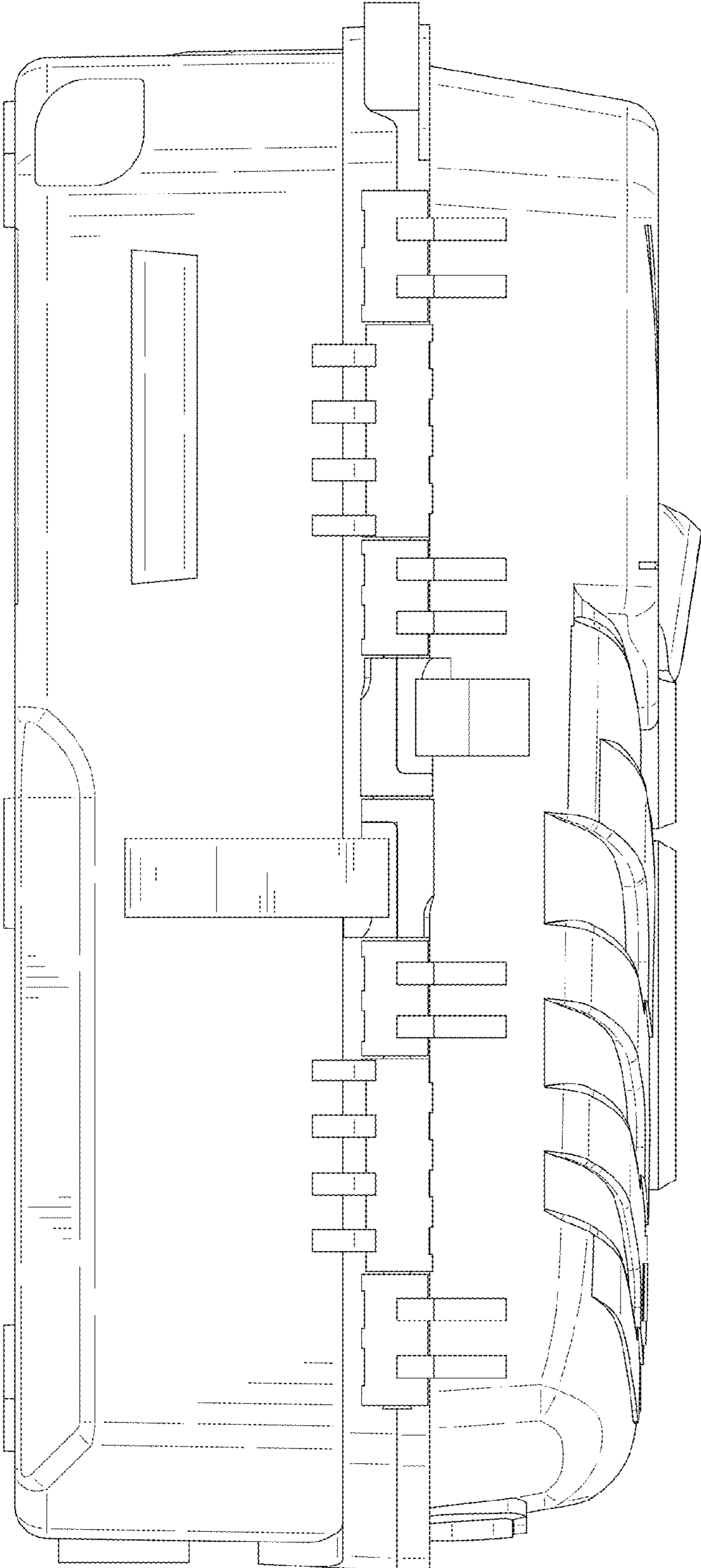


FIG. 5

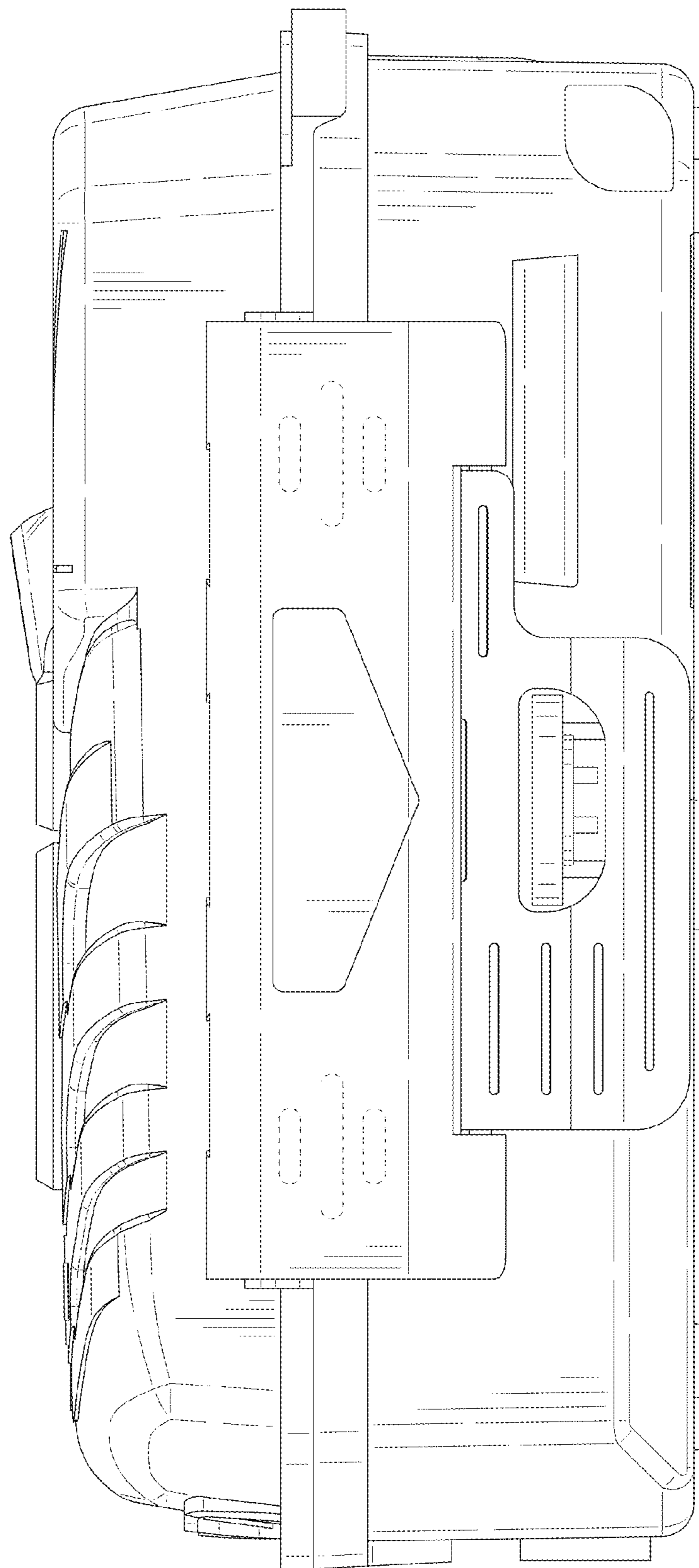


FIG. 6

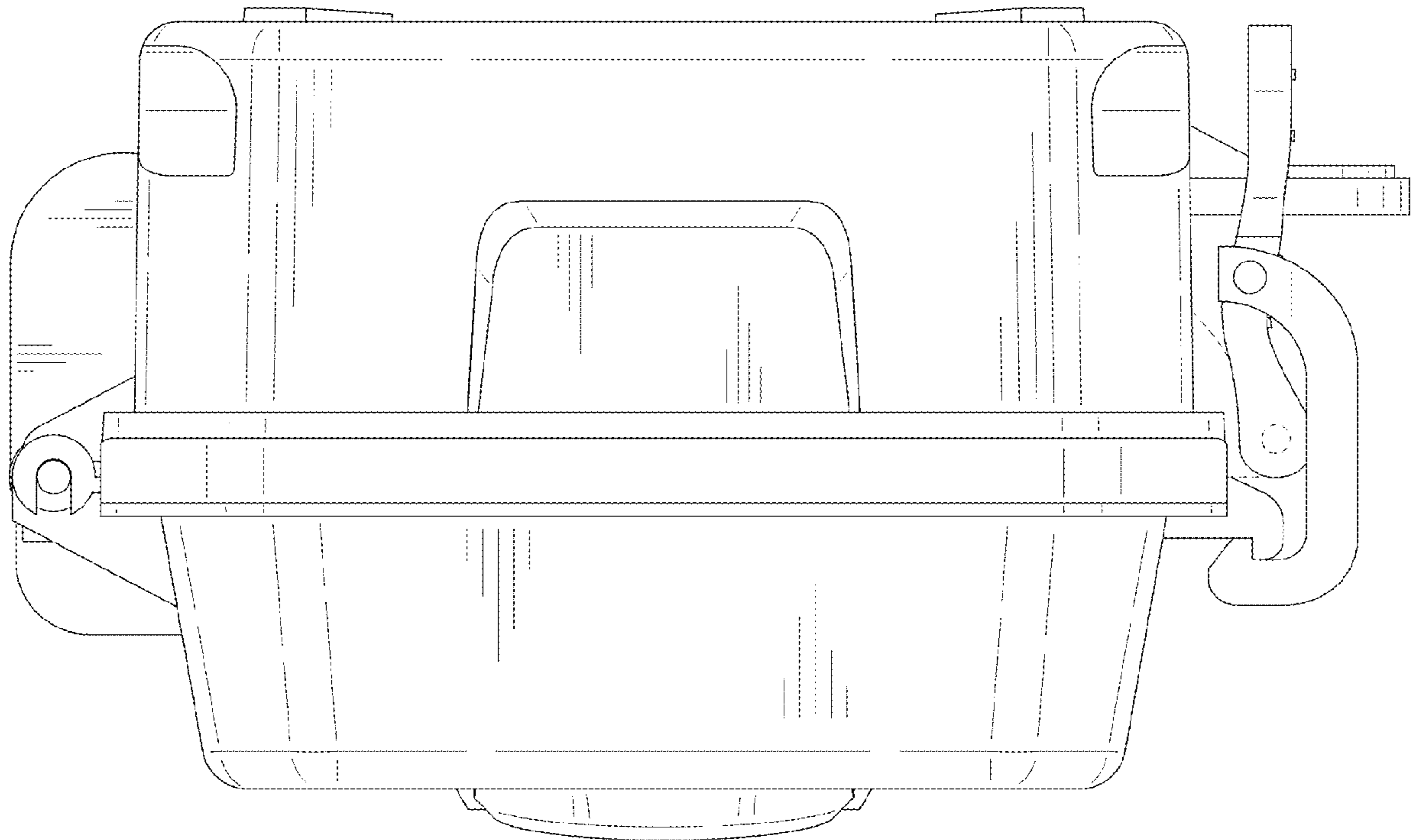


FIG. 7



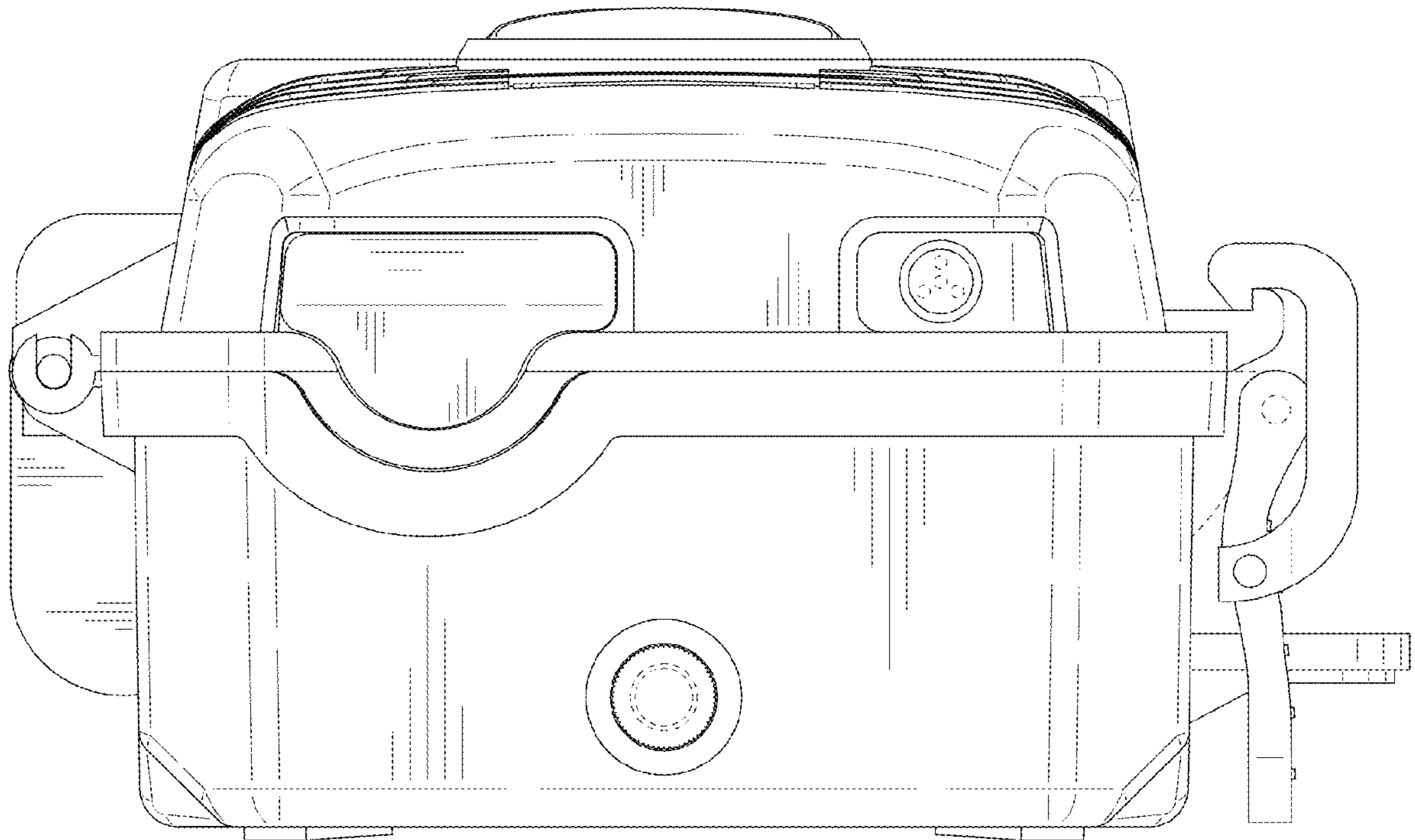


FIG. 8