



US00D939007S

(12) **United States Design Patent**  
**Wei**

(10) **Patent No.:** **US D939,007 S**

(45) **Date of Patent:** **\*\* Dec. 21, 2021**

(54) **BABY MONITOR**

(71) Applicant: **Honghua Wei**, Guangdong (CN)

(72) Inventor: **Honghua Wei**, Guangdong (CN)

(\*\*) Term: **15 Years**

(21) Appl. No.: **29/747,262**

(22) Filed: **Aug. 20, 2020**

(51) **LOC (13) Cl.** ..... **16-01**

(52) **U.S. Cl.**  
USPC ..... **D16/203**

(58) **Field of Classification Search**  
USPC ..... D16/200, 202–206, 208, 211, 214, 218,  
D16/219, 237, 242, 244; D14/130, 132,  
D14/144, 159; 348/164, 347, 373–376;  
396/535, 539–541  
CPC ..... G03B 15/00; G03B 15/03; G03B 17/02;  
G03B 17/04; G03B 17/56; G03B 19/04;  
H04N 5/2251; H04N 5/2252; H04N  
5/2253; H04N 5/2254; H04N 2101/00;  
F16M 11/04; F16M 13/00  
See application file for complete search history.

(56) **References Cited**

**U.S. PATENT DOCUMENTS**

D626,984 S	*	11/2010	Miyaji	.....	D16/203
D637,173 S	*	5/2011	Elkerbout	.....	D14/159
D751,619 S	*	3/2016	Jeong	.....	D16/203
D753,204 S	*	4/2016	Luo	.....	D16/202
D813,290 S	*	3/2018	Song	.....	D16/203
D836,698 S	*	12/2018	Hathway	.....	D16/203
D840,965 S	*	2/2019	Ke	.....	D14/159

D849,094 S	*	5/2019	Gan	.....	D16/203
D861,762 S	*	10/2019	Gan	.....	D16/203
D863,402 S	*	10/2019	Guo	.....	D16/203
D867,425 S	*	11/2019	Shuai	.....	D16/203
D898,097 S	*	10/2020	Ravat	.....	D16/203
D926,242 S	*	7/2021	Lu	.....	D16/203

**FOREIGN PATENT DOCUMENTS**

CN	302931689 S	9/2014
CN	304951115 S	12/2018
CN	305211282 S	6/2019

\* cited by examiner

*Primary Examiner* — Ramzi Almatrahi

(74) *Attorney, Agent, or Firm* — Wayne IP LLC

(57) **CLAIM**

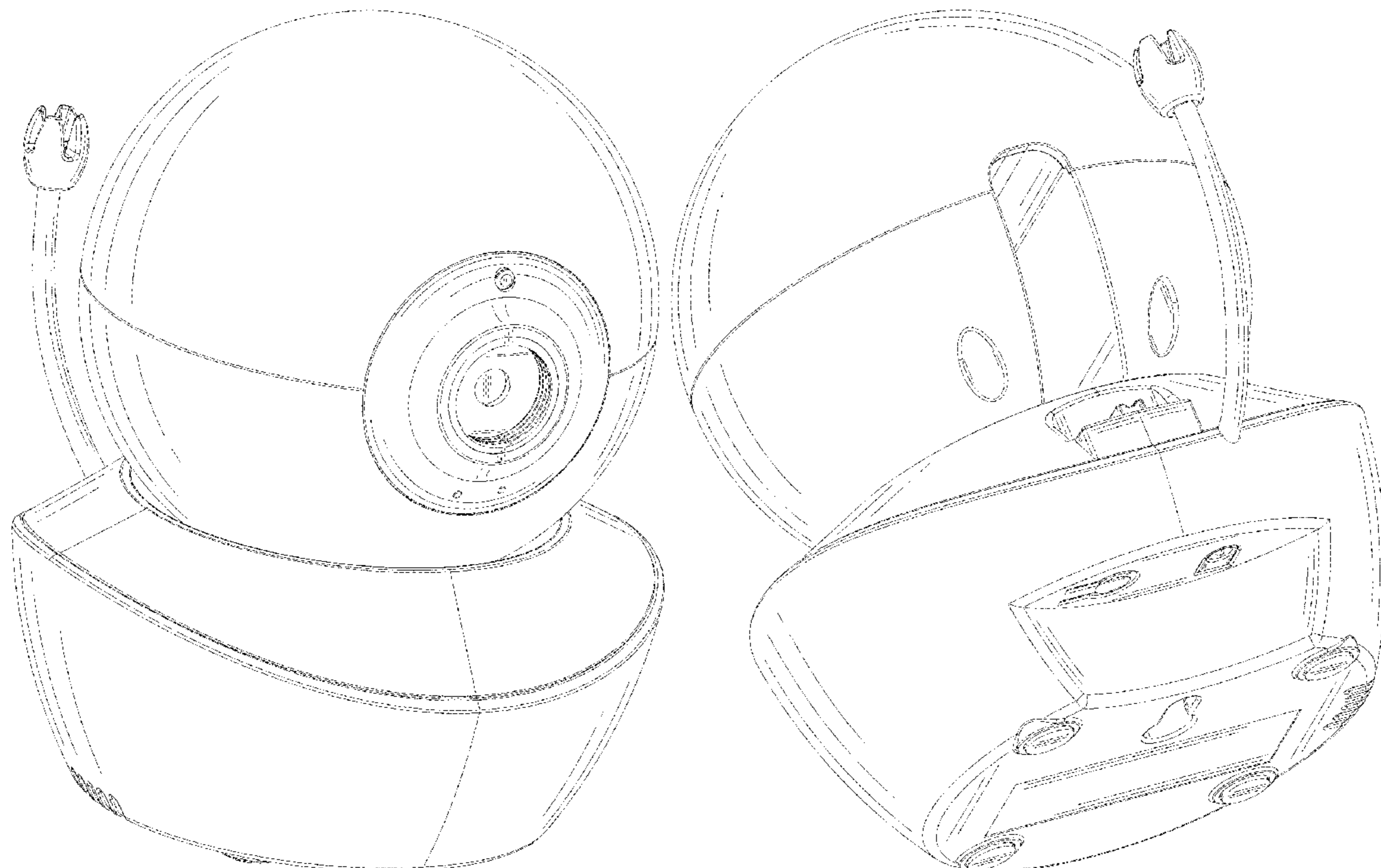
The ornamental design for a baby monitor, as shown and described.

**DESCRIPTION**

FIG. 1 is a top, front and left side perspective view of a baby monitor showing my new design;  
FIG. 2 is a bottom, back and right side perspective view thereof;  
FIG. 3 is a front elevation view thereof;  
FIG. 4 is a back elevation view thereof;  
FIG. 5 is a left side elevation view thereof;  
FIG. 6 is a right side elevation view thereof;  
FIG. 7 is a top plan view thereof; and,  
FIG. 8 is a bottom plan view thereof.

The broken lines depict portions of the baby monitor in which the design is embodied that form no part of the claimed design.

**1 Claim, 8 Drawing Sheets**



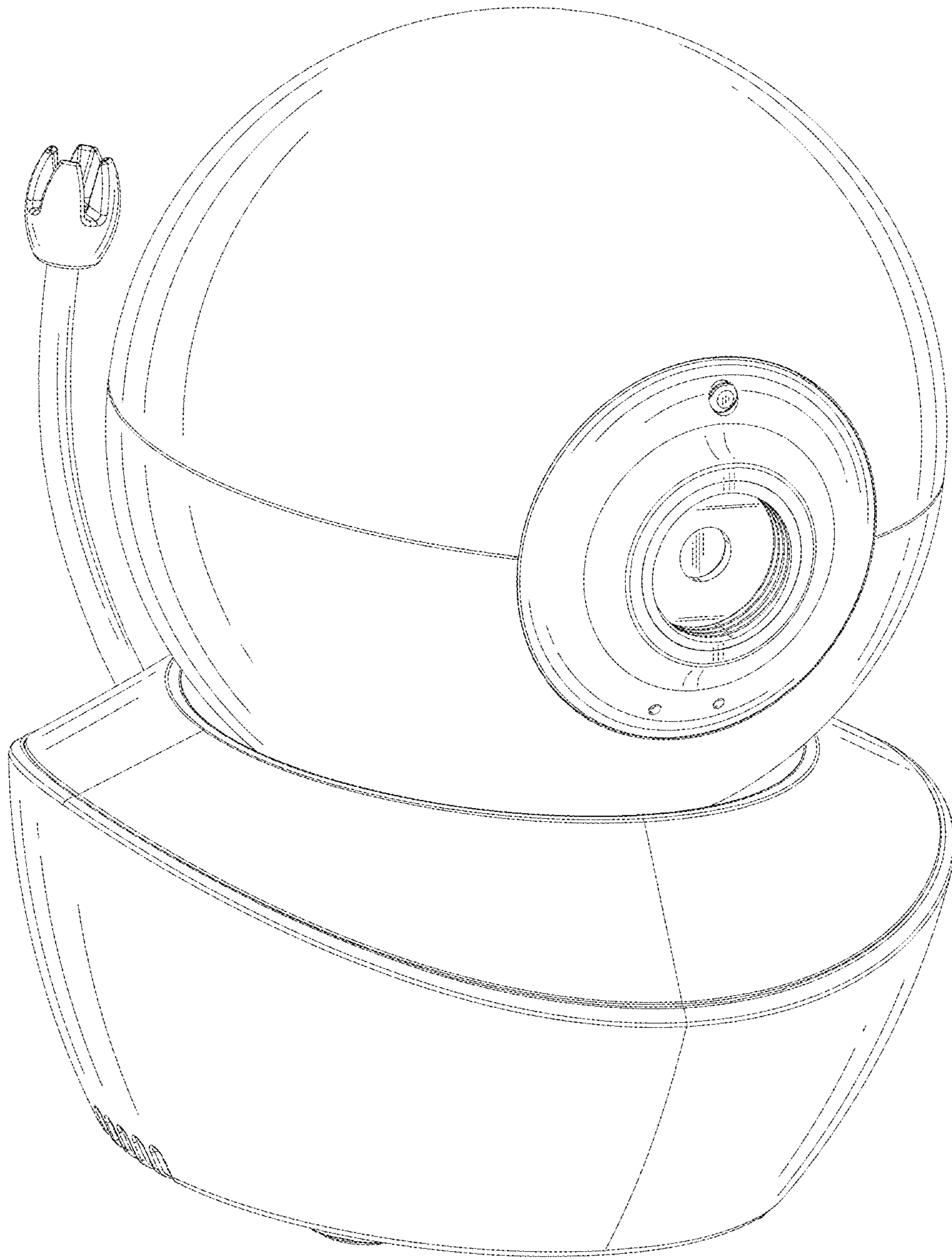


FIG. 1

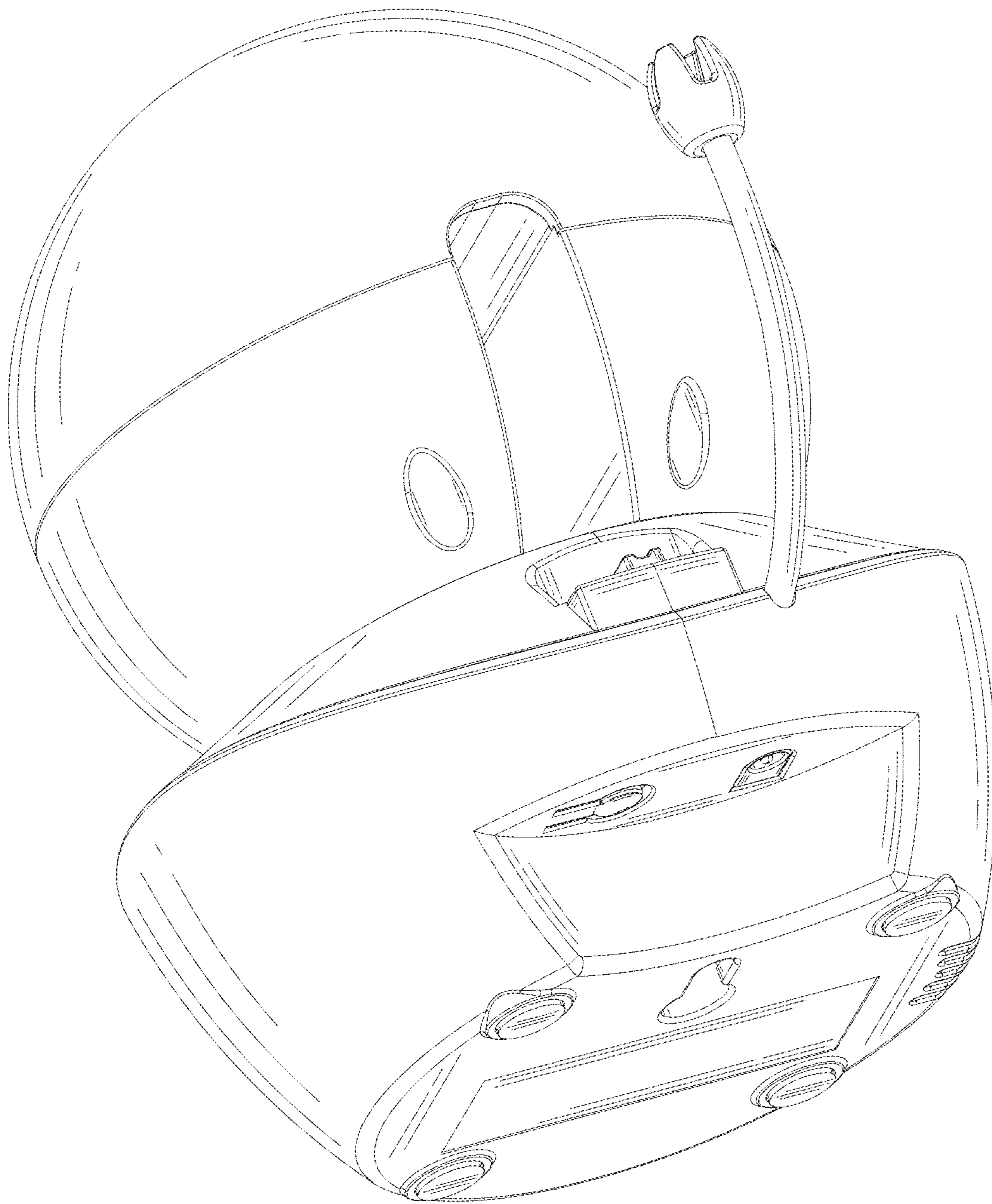


FIG. 2

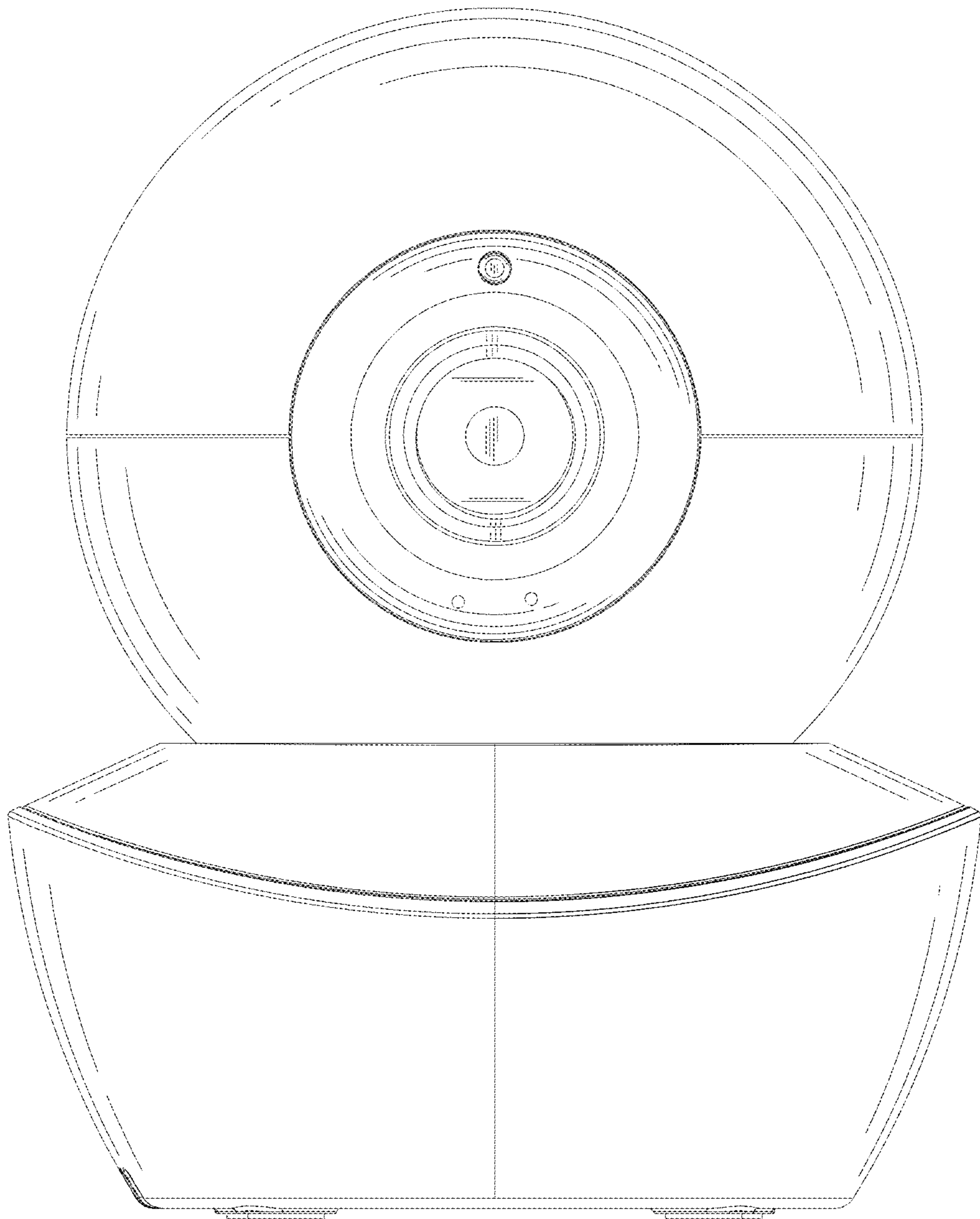


FIG. 3

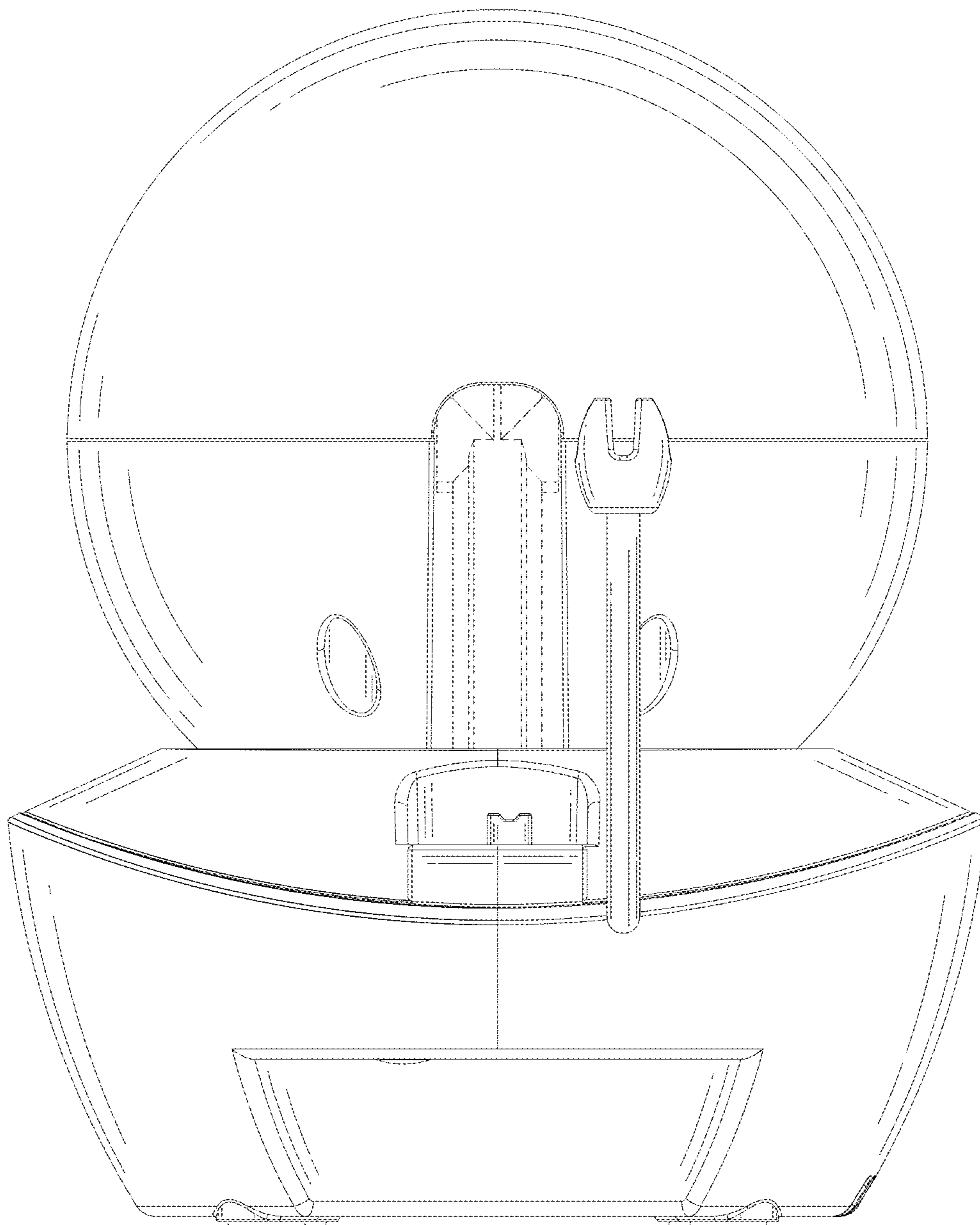


FIG. 4

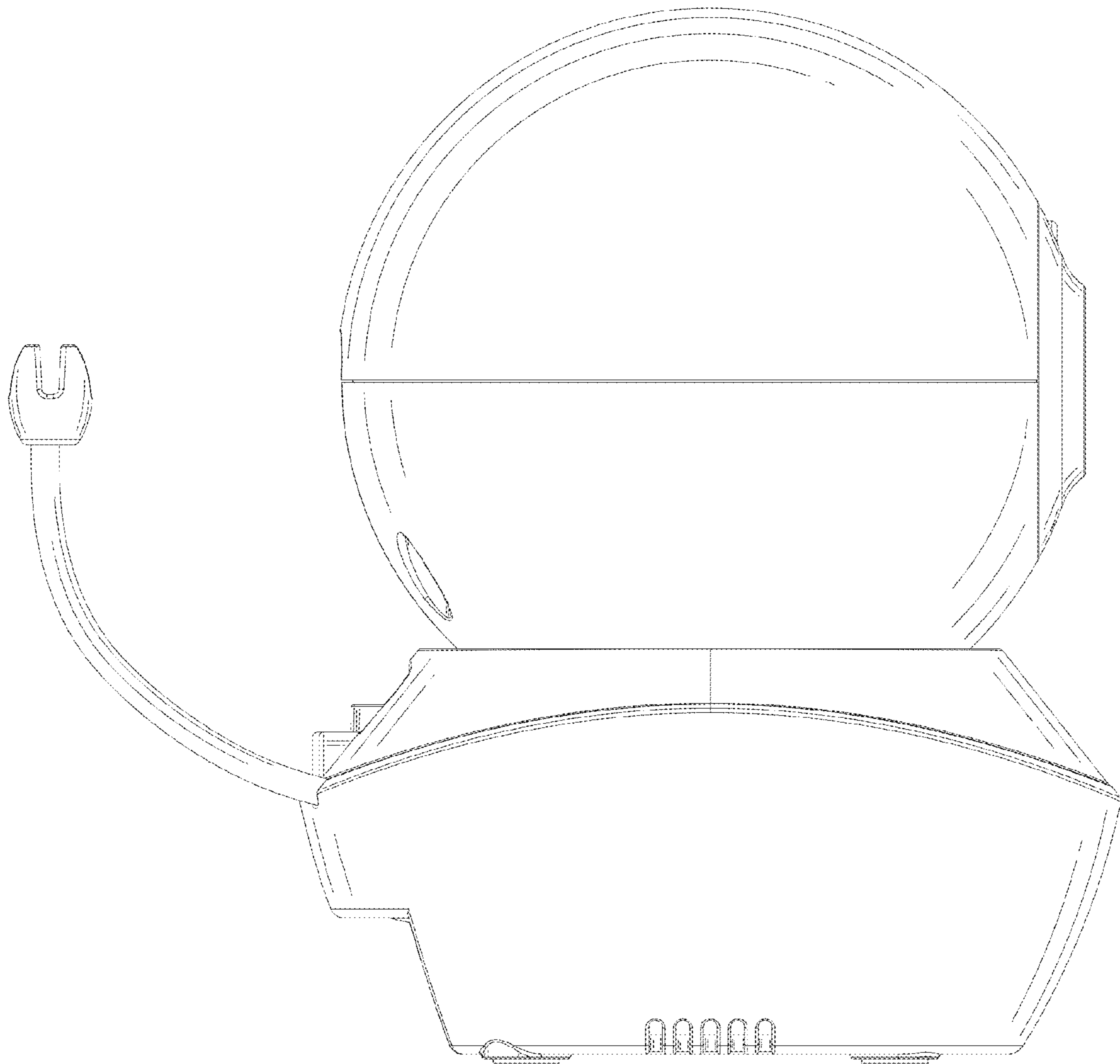


FIG. 5

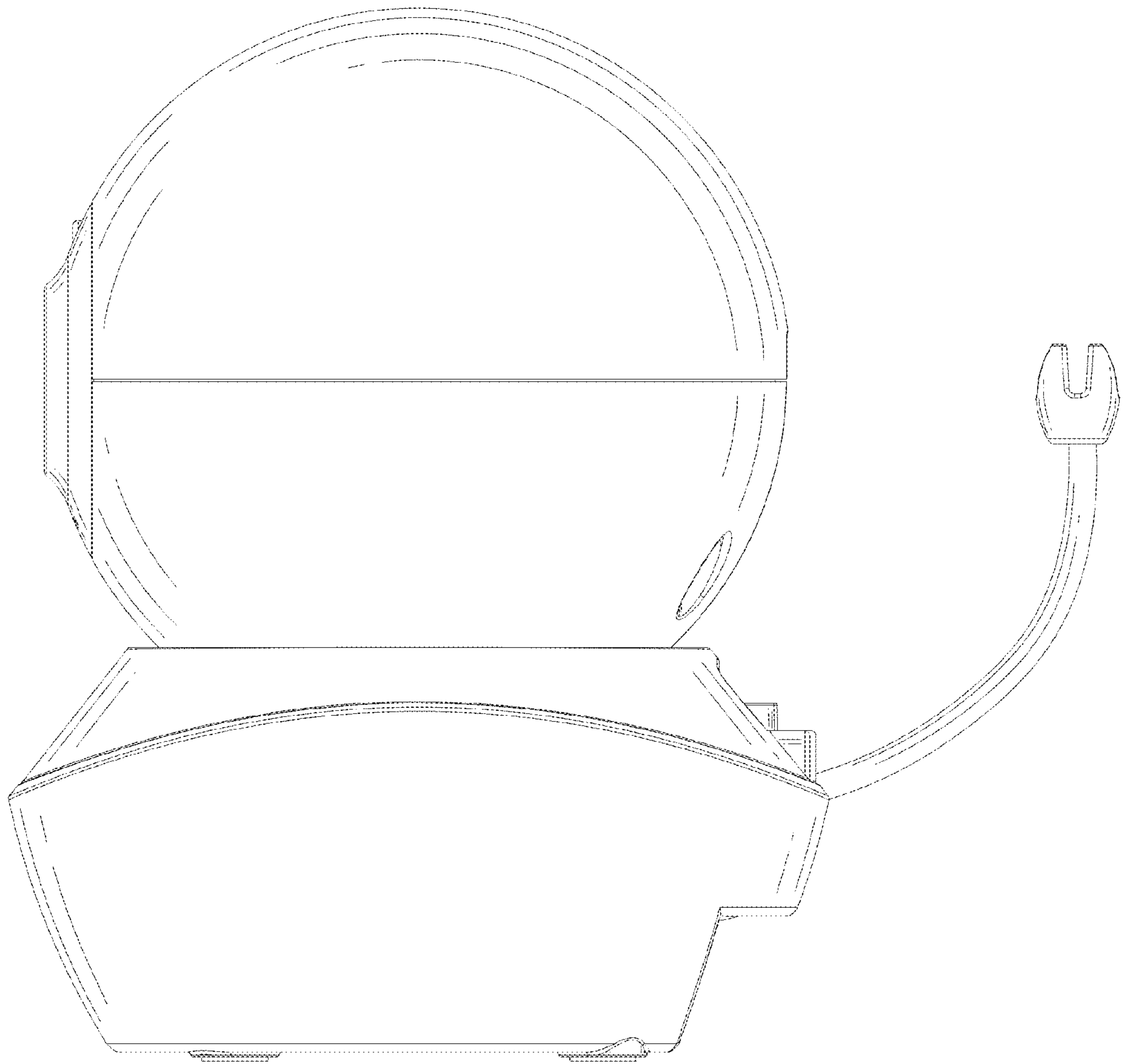


FIG. 6

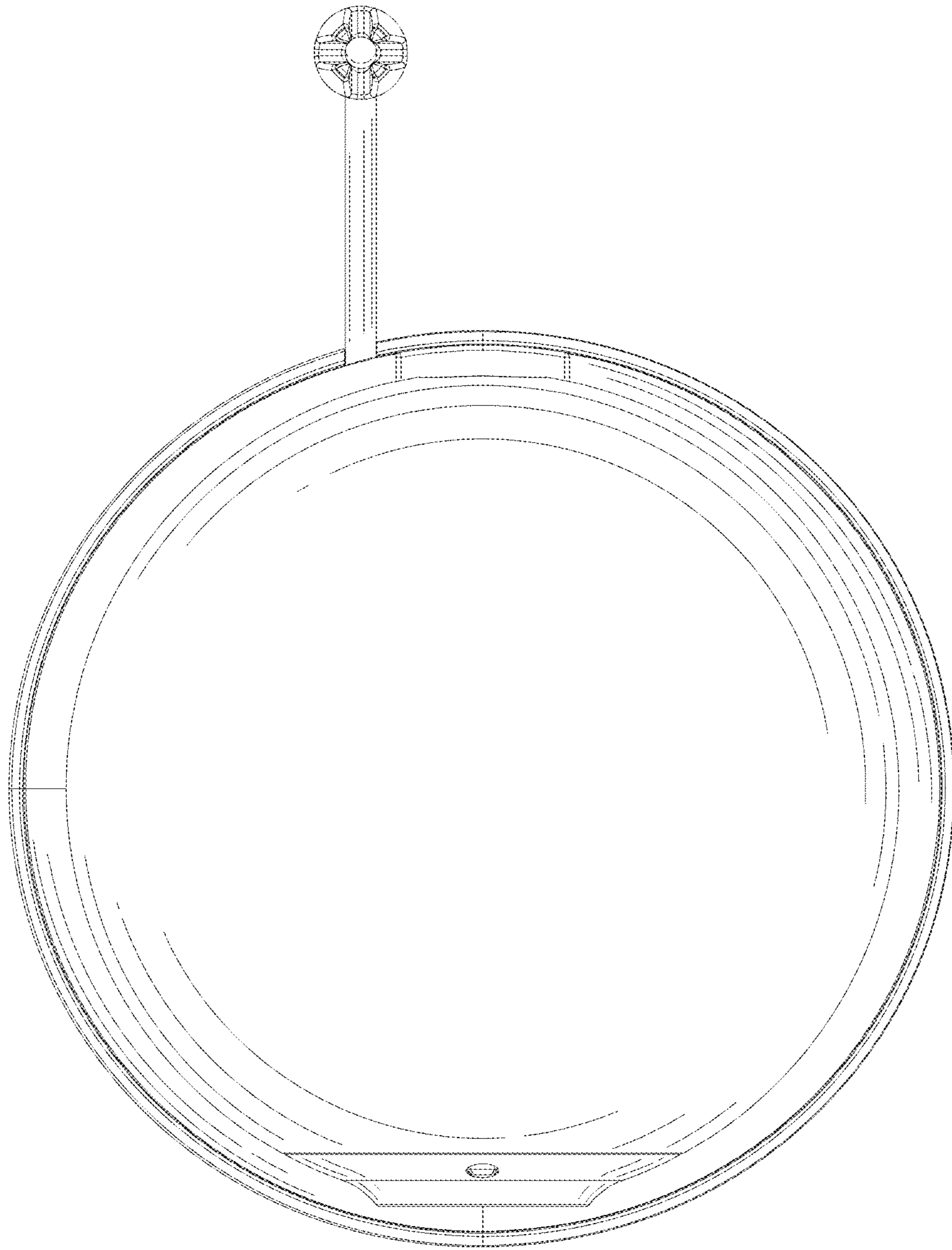


FIG. 7



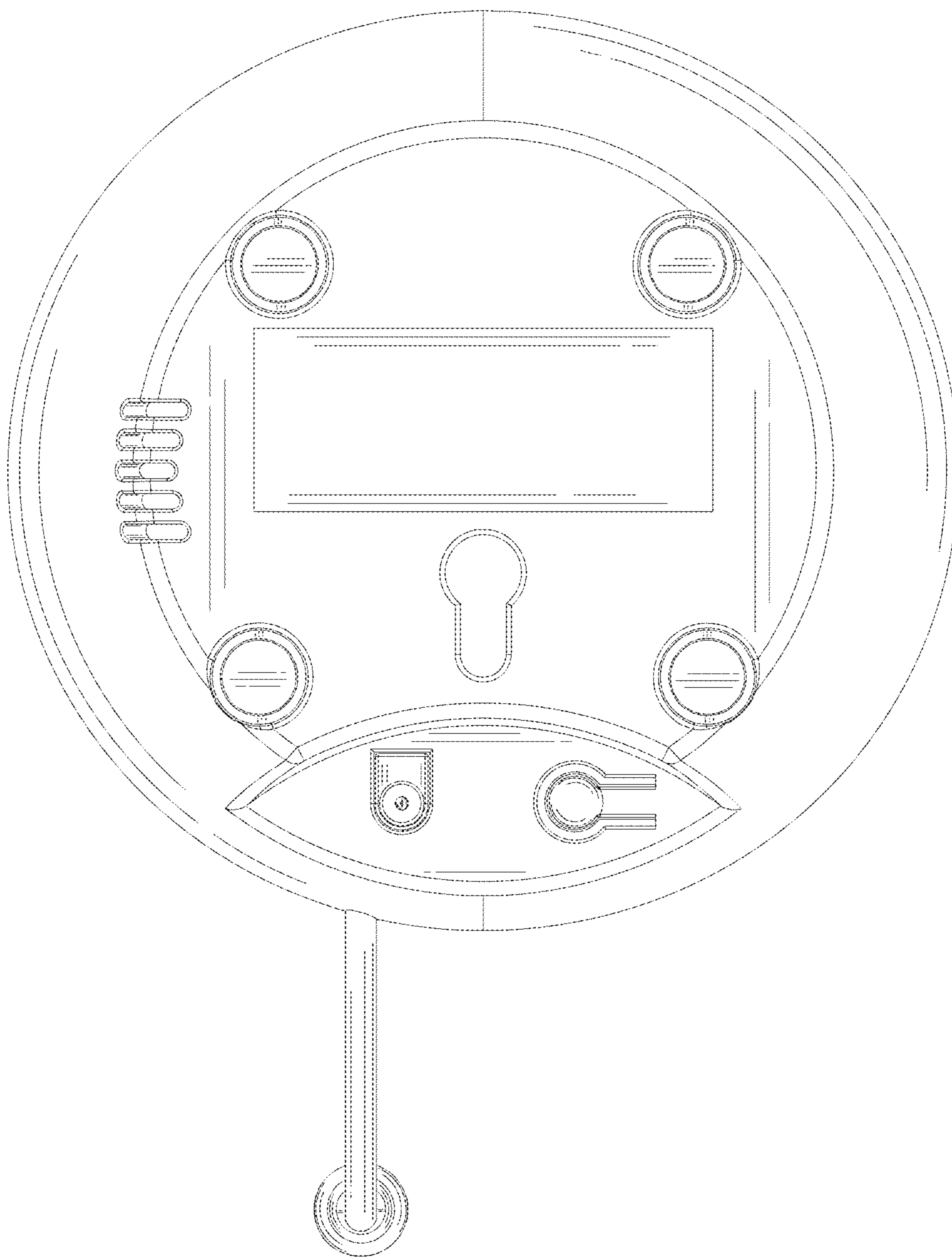


FIG. 8