



US00D939006S

(12) **United States Design Patent**
Suzuki

(10) **Patent No.:** **US D939,006 S**

(45) **Date of Patent:** **** Dec. 21, 2021**

- (54) **BINOCULAR**
- (71) Applicant: **Ricoh Company, Ltd.**, Tokyo (JP)
- (72) Inventor: **Takeo Suzuki**, Ohta-ku (JP)
- (73) Assignee: **RICOH COMPANY, LTD.**, Tokyo (JP)
- (**) Term: **15 Years**
- (21) Appl. No.: **29/745,189**
- (22) Filed: **Aug. 4, 2020**

D552,644 S	10/2007	Zhou	
D590,857 S *	4/2009	Fujii	D16/133
D594,494 S	6/2009	Chujo	
D647,159 S	10/2011	Kobayashi	
D660,895 S *	5/2012	Fischbach	D16/133
D666,232 S *	8/2012	Fischbach	D16/133
D674,831 S	1/2013	Wunnicke	
D685,831 S	7/2013	Wunnicke	
D713,437 S *	9/2014	Soejima	D16/133
D724,129 S	3/2015	Marsiglia	
D779,349 S	2/2017	Kobayashi	
D779,981 S	2/2017	Kobayashi	
D780,243 S *	2/2017	Marsiglia	D16/133
D816,749 S *	5/2018	Kung	D16/133

(Continued)

(30) **Foreign Application Priority Data**

Feb. 6, 2020 (JP) 2020-002240 D

(51) **LOC (13) Cl.** **16-06**

(52) **U.S. Cl.**
USPC **D16/133**

(58) **Field of Classification Search**
USPC D10/74, 103, 66; D16/132, 133, 130,
D16/131; D22/100, 108, 109
CPC ... G01C 3/00; G01C 3/02; G01C 3/04; G01C
3/06; G01C 3/08; G01C 3/085; G01C
3/10; G01C 3/12; G01C 3/16; G01C
3/18; G01C 3/20

See application file for complete search history.

(56) **References Cited**

U.S. PATENT DOCUMENTS

D272,916 S	3/1984	Tomatsuri	
D391,975 S *	3/1998	Meinzer	D16/133
D412,921 S *	8/1999	Hayamizu	D16/133
D478,340 S *	8/2003	Hayamizu	D16/133
D478,341 S *	8/2003	Hayamizu	D16/133
D490,097 S	5/2004	Regan	
D492,335 S *	6/2004	Watanabe	D16/133
D508,252 S	8/2005	Koinuma	
D514,609 S *	2/2006	Heine	D16/133
D519,538 S *	4/2006	Hayamizu	D16/133
D532,803 S	11/2006	Regan	

OTHER PUBLICATIONS

U.S. Office Action dated Aug. 23, 2021 in U.S. Appl. No. 29/745,200, 8 pages.

Primary Examiner — Mark A Goodwin
Assistant Examiner — Benjamin M Weeks
(74) *Attorney, Agent, or Firm* — Xsensus LLP

(57) **CLAIM**

The ornamental design for a binocular, as shown and described.

DESCRIPTION

FIG. 1 is a front, top, and right side perspective view of a binocular showing the new design;
FIG. 2 is a rear, bottom, and left side perspective view thereof;
FIG. 3 is a front view thereof;
FIG. 4 is a rear view thereof;
FIG. 5 is a top plan view thereof;
FIG. 6 is a bottom plan view thereof;
FIG. 7 is a right side elevational view thereof; and,
FIG. 8 is a left side elevational view thereof.

1 Claim, 8 Drawing Sheets



(56)

References Cited

U.S. PATENT DOCUMENTS

D816,750 S *	5/2018	Nakajima	D16/133
D821,474 S *	6/2018	Arshad	D16/133
D823,147 S	7/2018	Bainter	
D854,068 S *	7/2019	Shen	D16/133
D895,457 S	9/2020	Zhang	
D896,292 S *	9/2020	Ushio	D16/133
D897,391 S *	9/2020	Proell	D16/133
D898,794 S *	10/2020	Fischbach	D16/133
D898,795 S *	10/2020	Fischbach	D16/133
D903,735 S	12/2020	Chen	

* cited by examiner



FIG. 1



FIG. 2

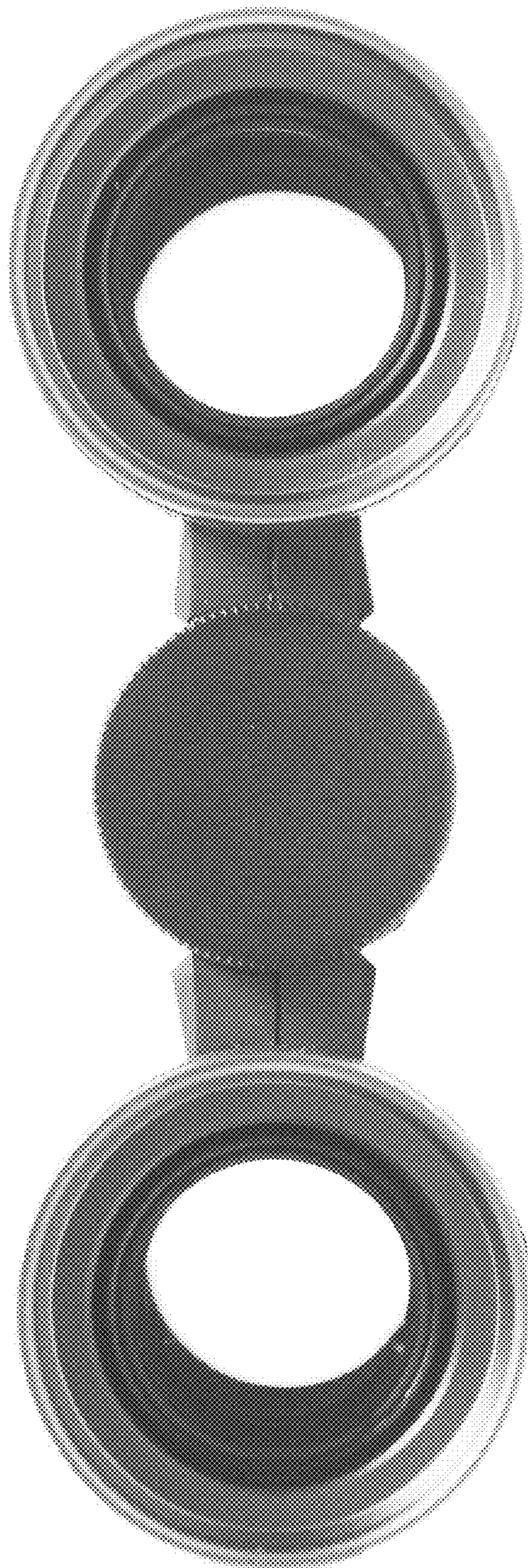


FIG. 3

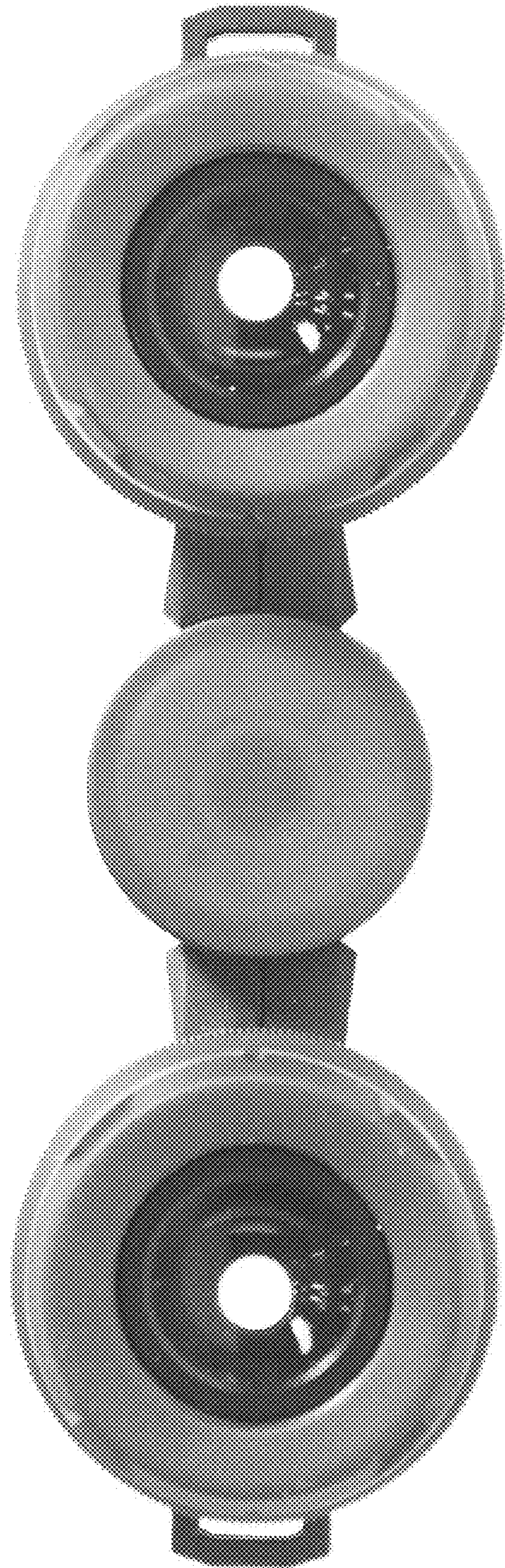


FIG. 4

FIG. 5

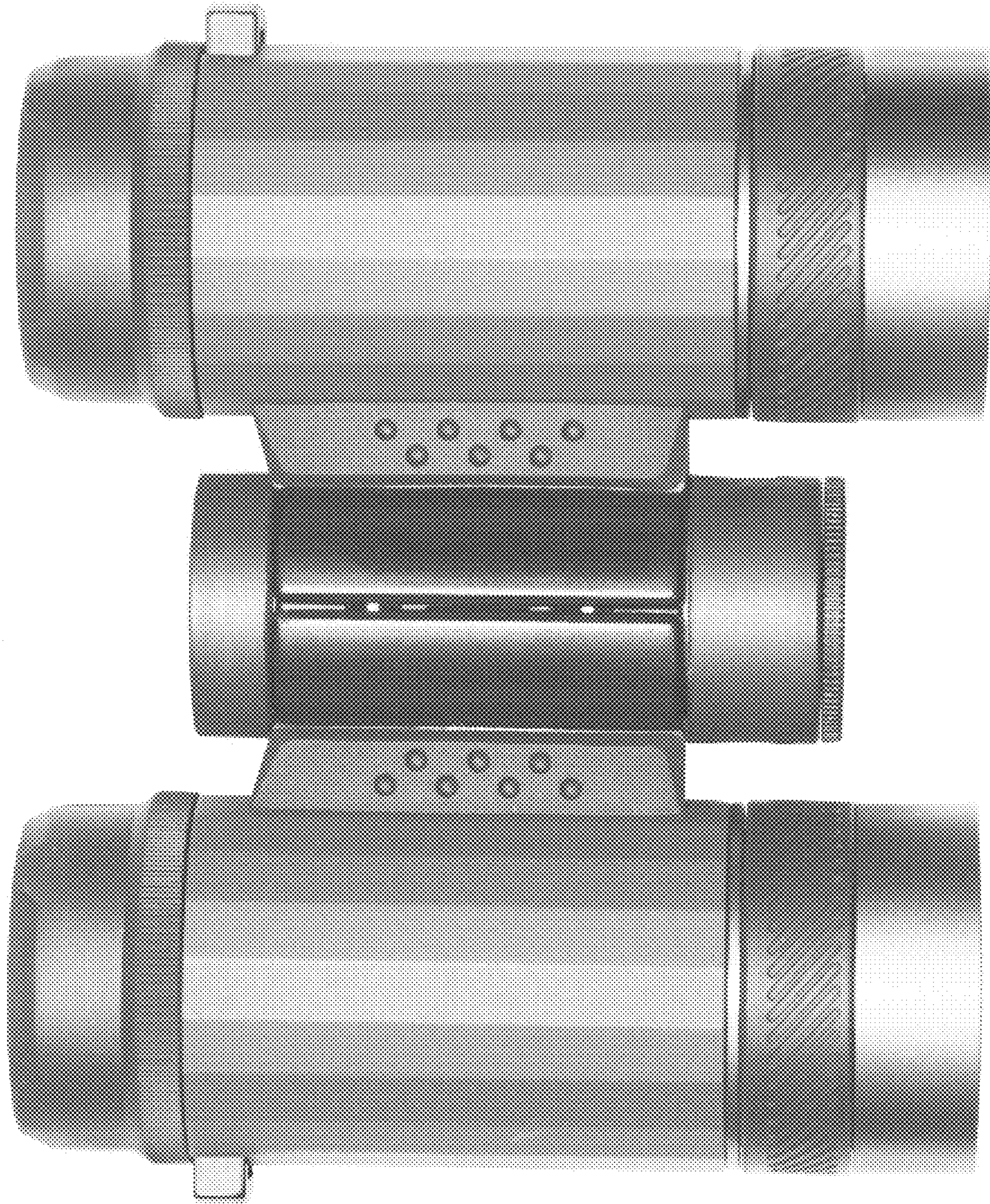
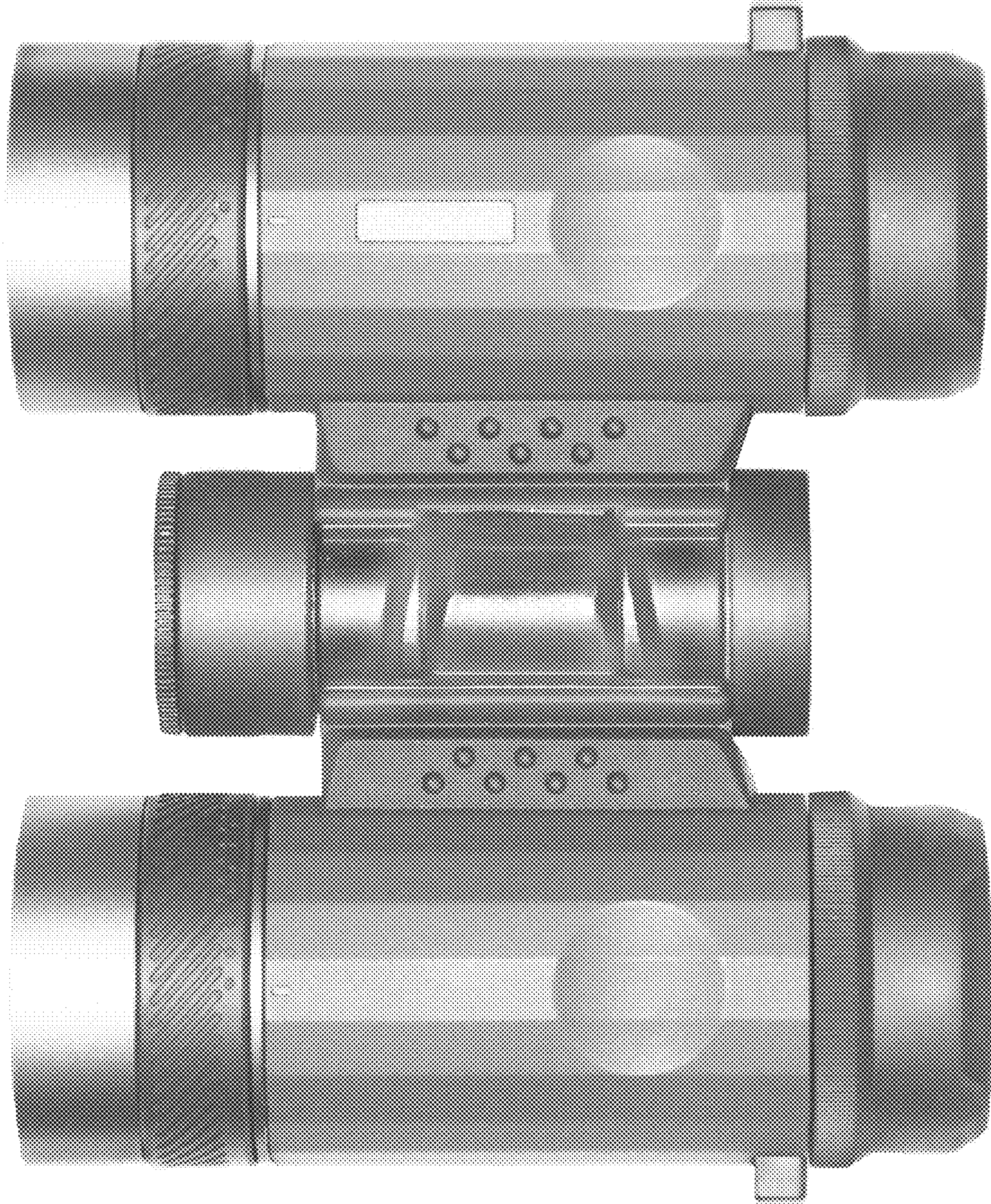


FIG. 6



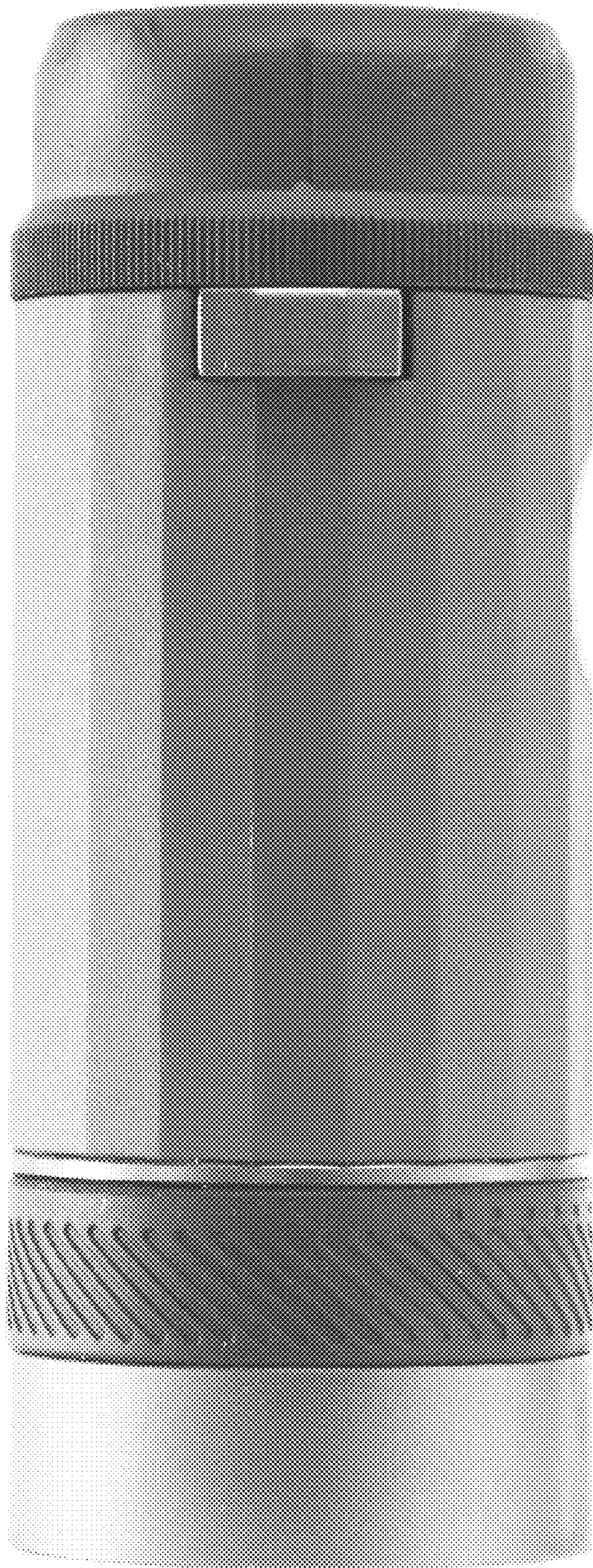


FIG. 7

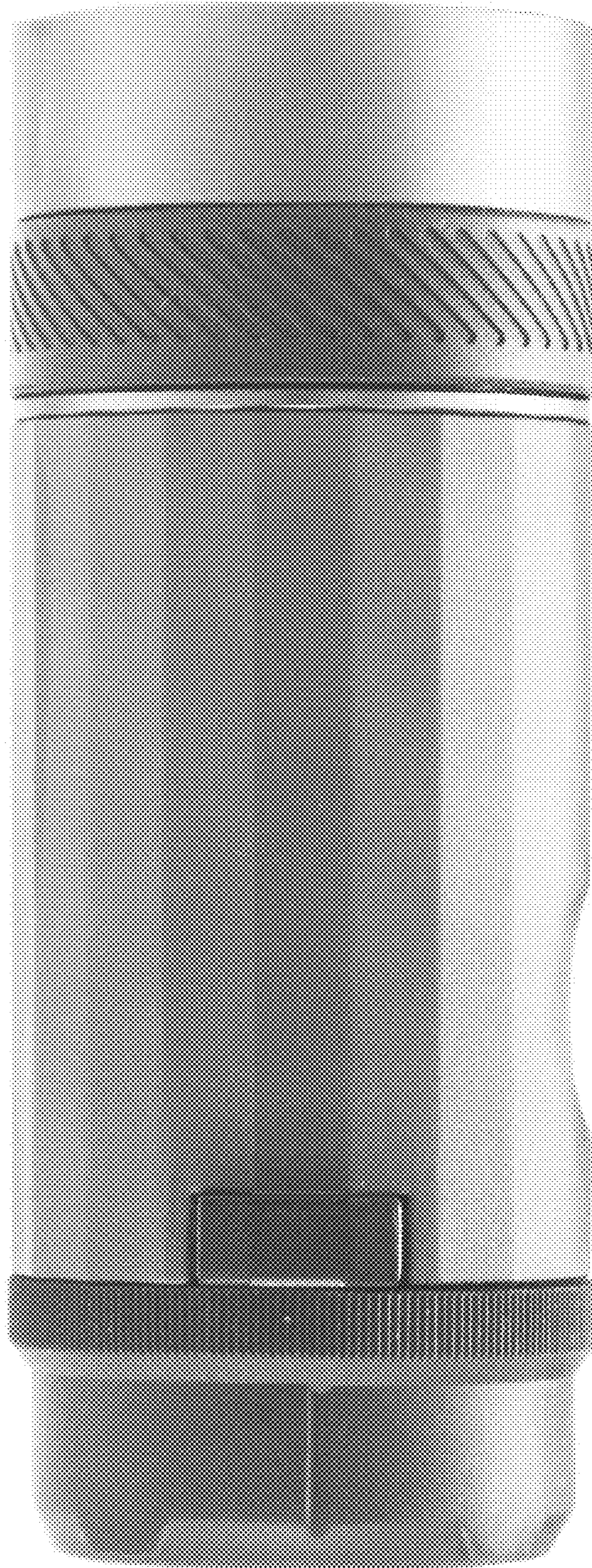


FIG. 8