



US00D939005S

(12) **United States Design Patent** (10) **Patent No.:** **US D939,005 S**
Huang (45) **Date of Patent:** **** Dec. 21, 2021**

(54) **WATCH WINDER**
(71) Applicant: **Yuemi Huang**, Shenzhen (CN)
(72) Inventor: **Yuemi Huang**, Shenzhen (CN)
(**) Term: **15 Years**
(21) Appl. No.: **29/747,848**
(22) Filed: **Aug. 26, 2020**
(51) **LOC (13) Cl.** **15-99**
(52) **U.S. Cl.**
USPC **D15/199**
(58) **Field of Classification Search**
USPC D3/273-294, 298; D9/414, 418, 420,
D9/421, 423, 431-432; D15/199
CPC ... G04B 5/00; G04B 5/04; G04D 7/00; G04D
7/009
See application file for complete search history.

8,714,813 B2 * 5/2014 Liao H02J 50/10
368/206
D707,118 S * 6/2014 Au D9/420
D719,991 S * 12/2014 Ko D15/199
D781,944 S * 3/2017 Lee D15/199
D886,879 S * 6/2020 Liu D15/199
D886,880 S * 6/2020 Liu D15/199
D905,144 S * 12/2020 Liang D15/199
D905,773 S * 12/2020 Liang D15/199
2005/0254352 A1 * 11/2005 Wolf, V G04D 7/009
368/206

* cited by examiner

Primary Examiner — Patricia A Palasik
(74) *Attorney, Agent, or Firm* — Westbridge IP LLC

(57) **CLAIM**

The ornamental design for a watch winder, as shown and described.

DESCRIPTION

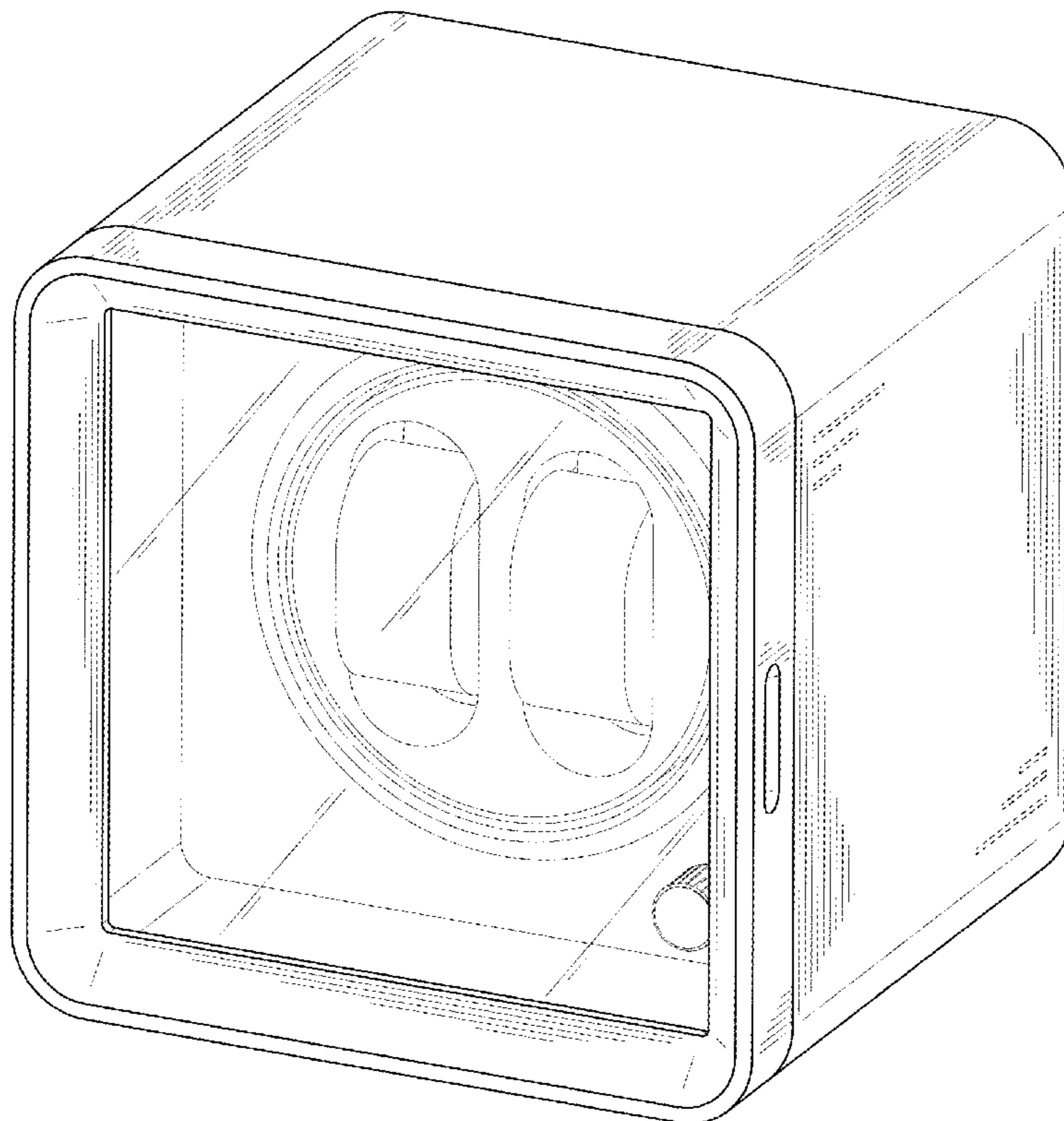
FIG. 1 is a front perspective view of a watch winder showing my new design;
FIG. 2 is a rear perspective view of FIG. 1;
FIG. 3 is a front elevational view of FIG. 1;
FIG. 4 is a rear elevational view of FIG. 1;
FIG. 5 is a left side view of FIG. 1;
FIG. 6 is a right side view of FIG. 1;
FIG. 7 is a top plan view of FIG. 1; and,
FIG. 8 is a bottom plan view of FIG. 1.
The broken lines in the drawings illustrate the portions of the watch winder which form no part of the claimed design.

1 Claim, 8 Drawing Sheets

(56) **References Cited**

U.S. PATENT DOCUMENTS

D507,709 S * 7/2005 Au D9/418
D510,210 S * 10/2005 Au D3/294
D514,848 S * 2/2006 Au D3/294
D520,540 S * 5/2006 Siu D15/199
7,530,733 B2 * 5/2009 Louie G04D 7/009
368/206
7,575,367 B2 * 8/2009 Wolf, V G04B 3/006
368/206
7,927,009 B2 * 4/2011 Huang G04D 7/009
368/206



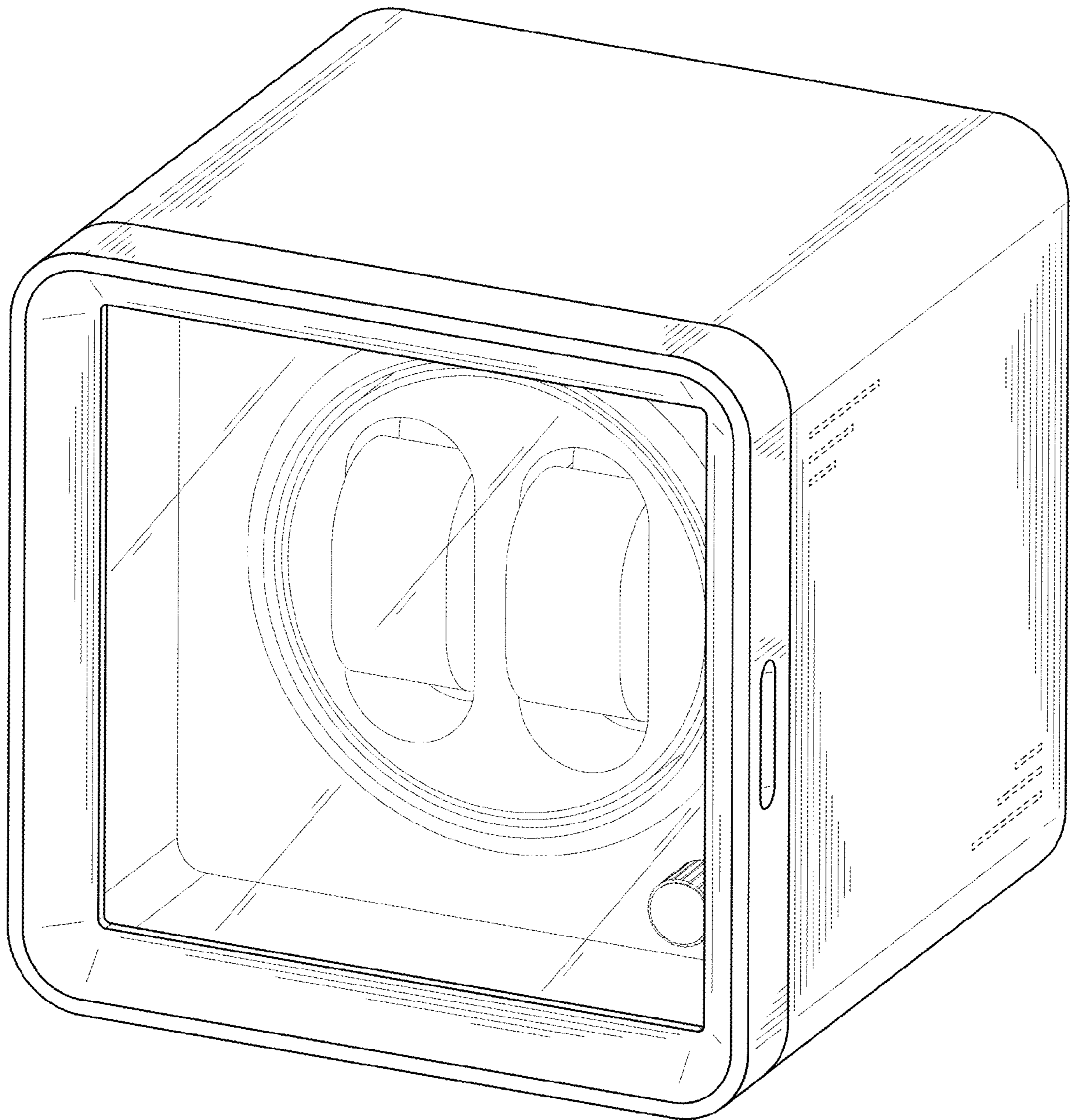


FIG. 1

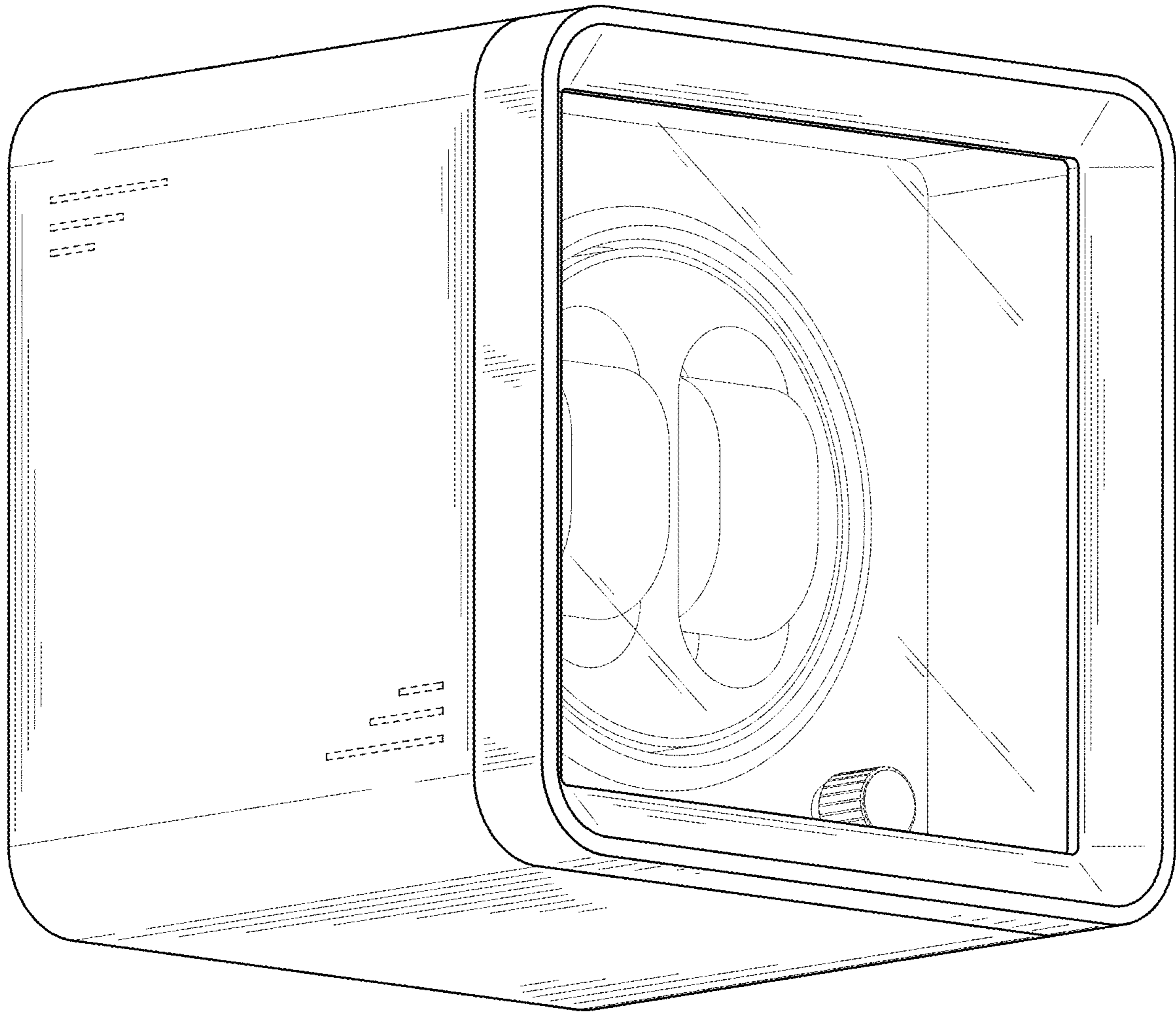


FIG. 2

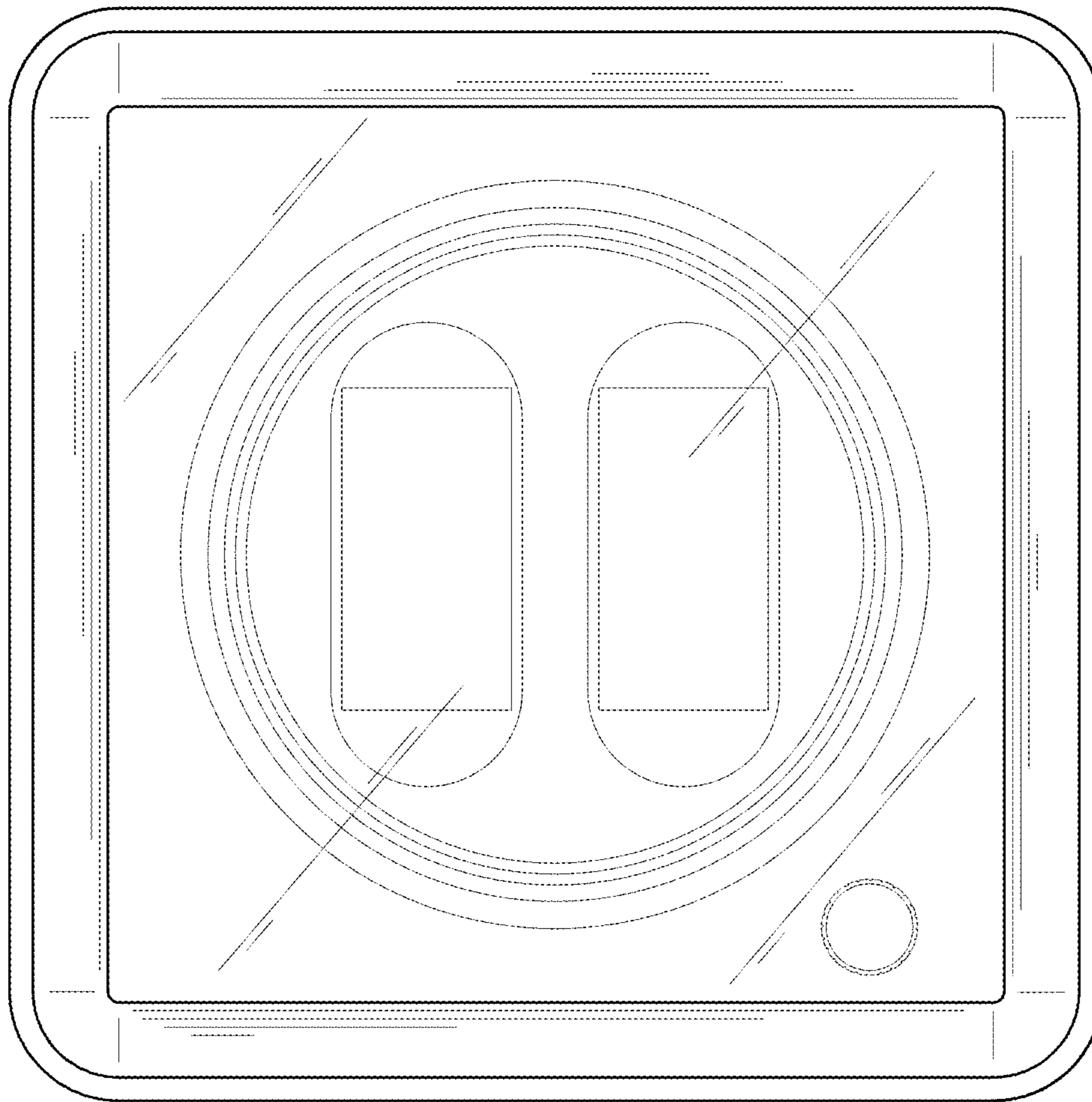


FIG. 3

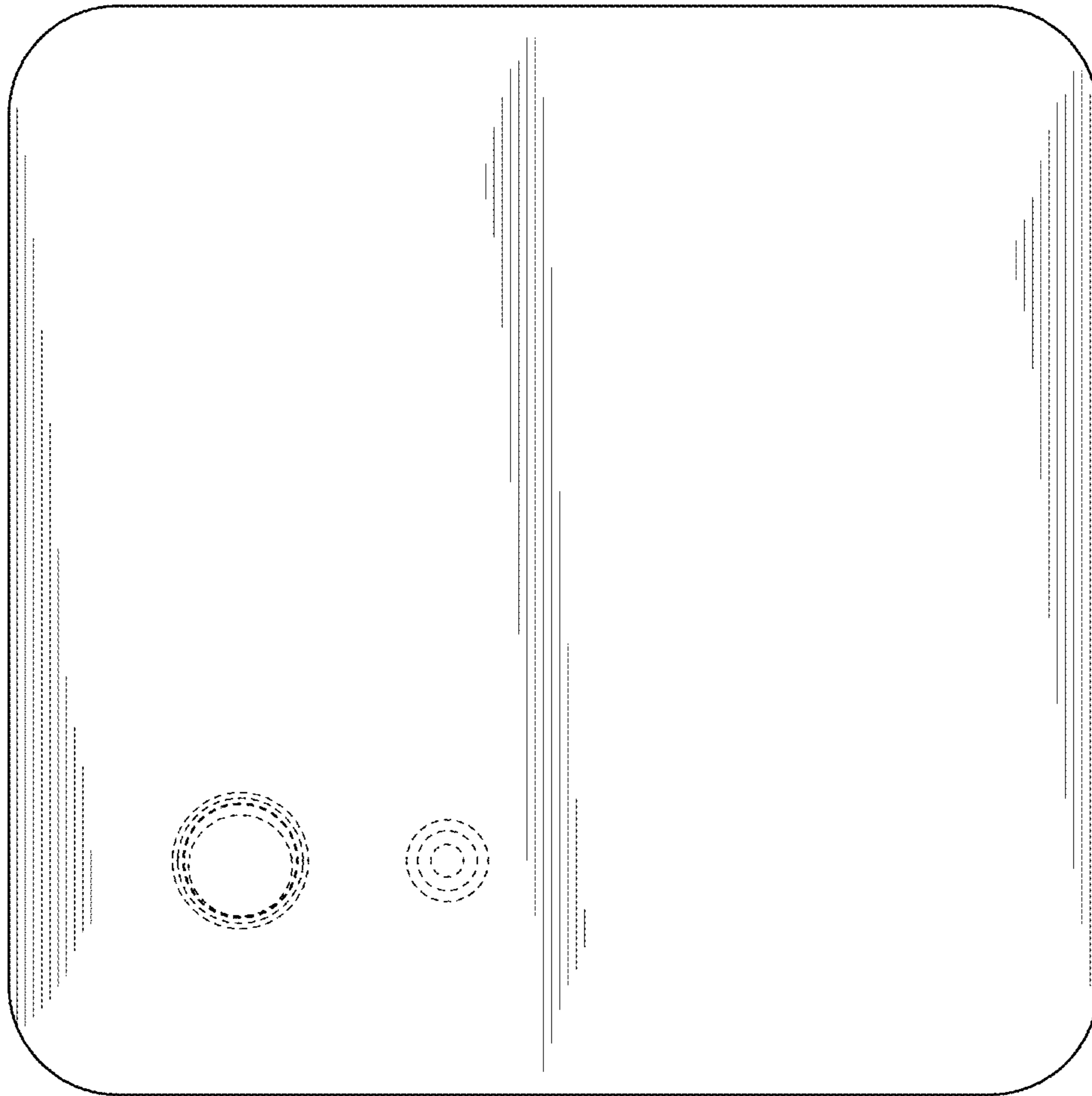


FIG. 4

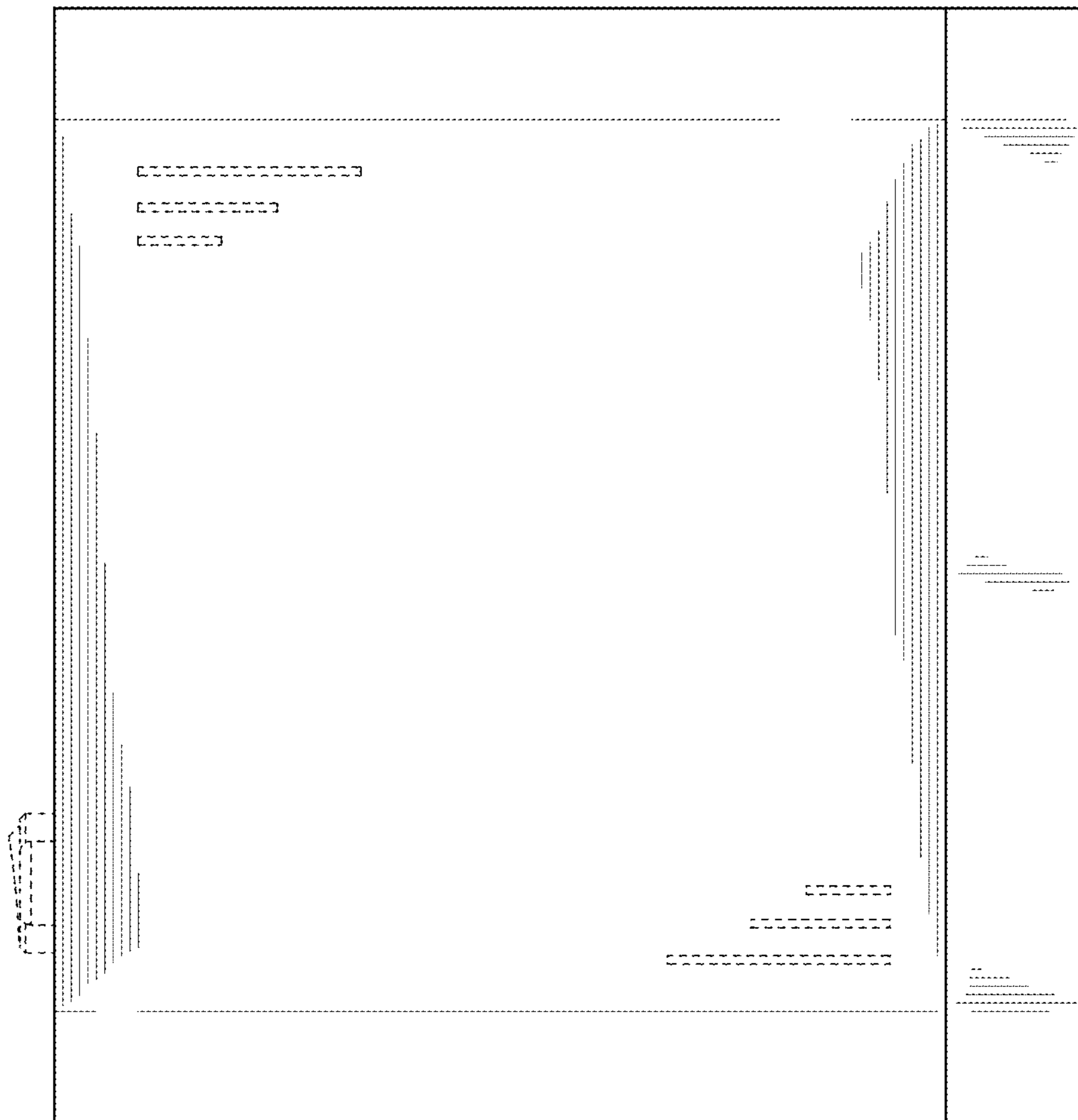


FIG. 5

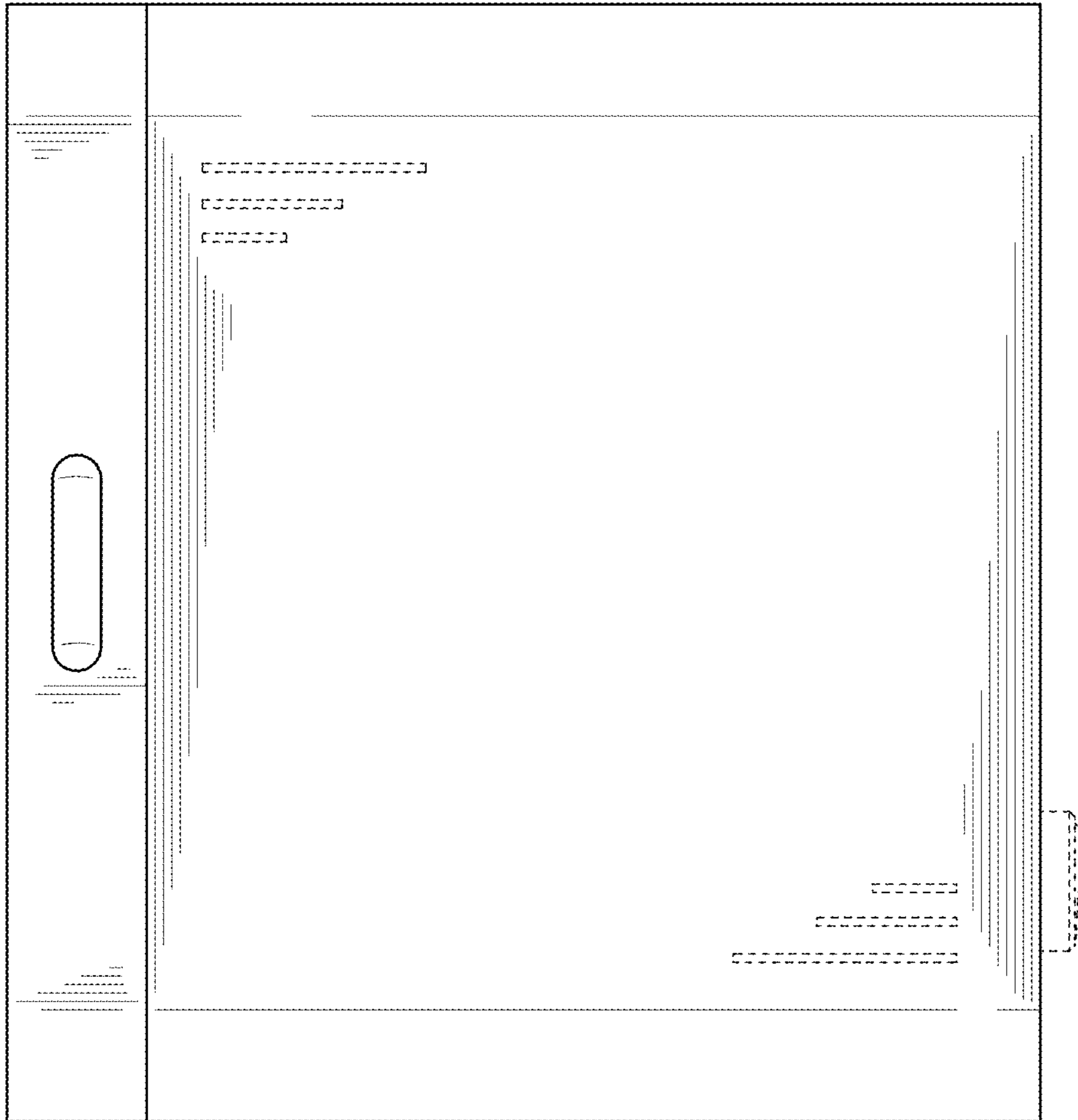


FIG. 6

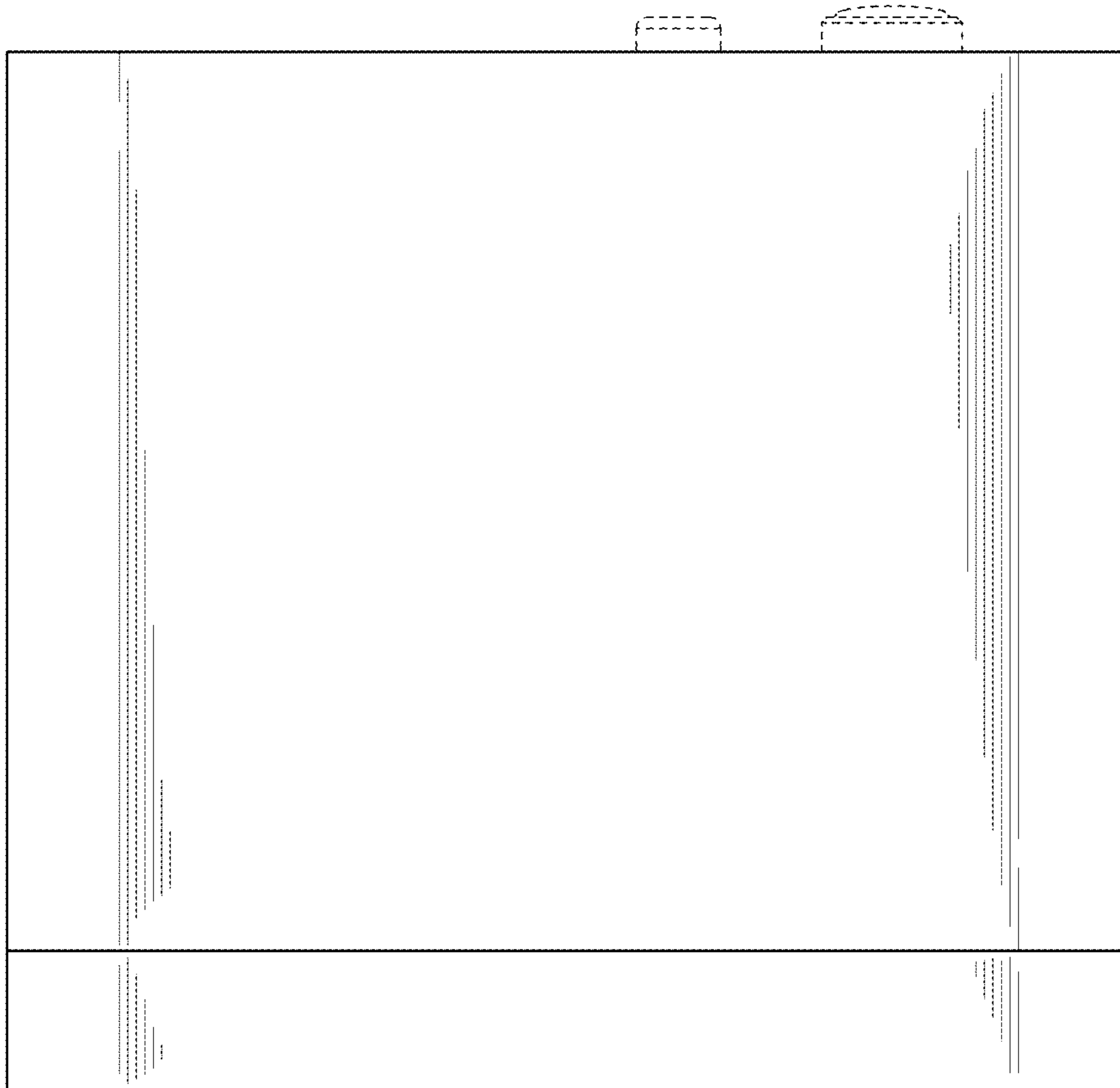


FIG. 7

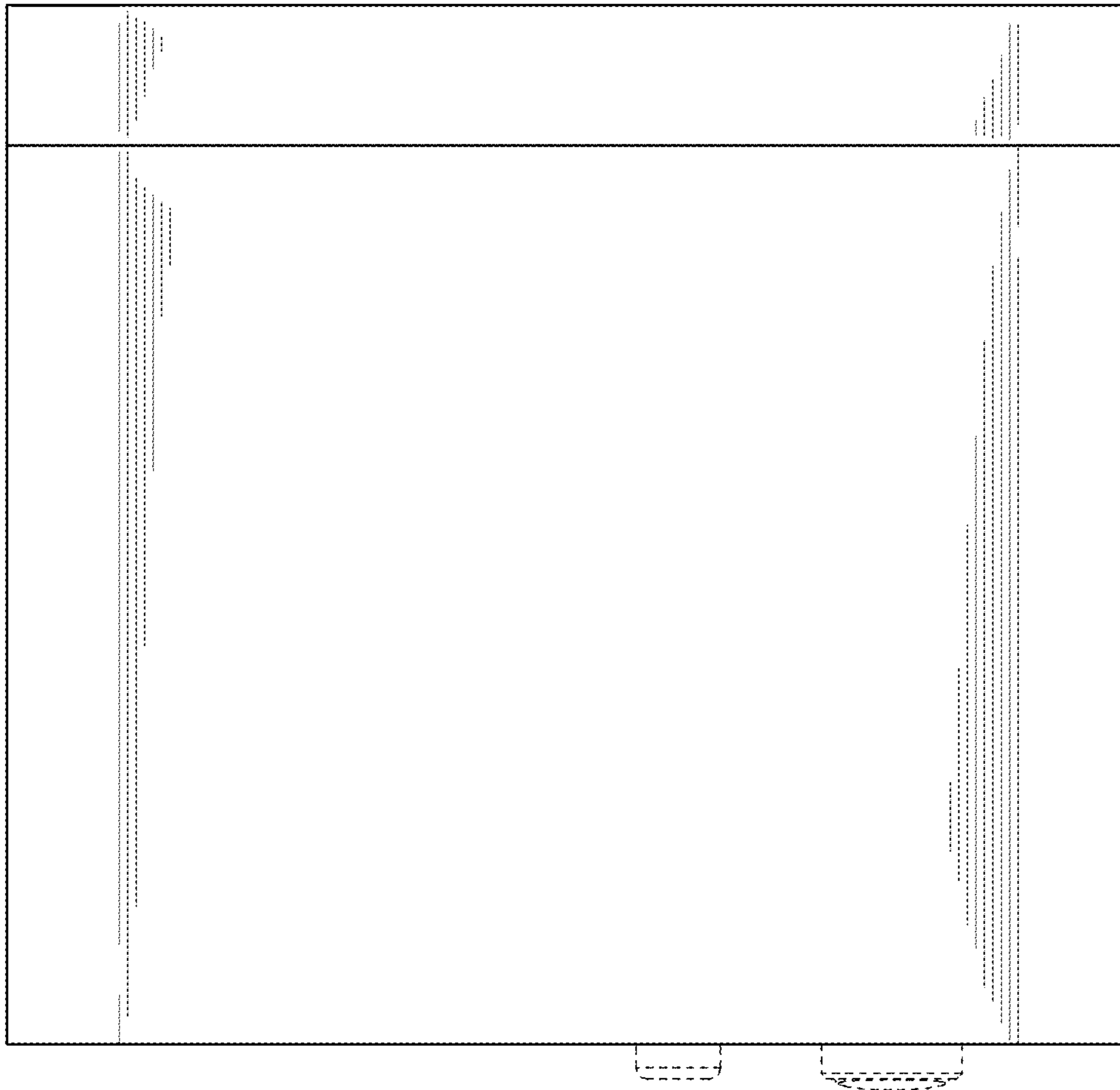


FIG. 8