



US00D939004S

(12) **United States Design Patent**  
**Gidwell**

(10) **Patent No.:** **US D939,004 S**

(45) **Date of Patent:** **\*\* Dec. 21, 2021**

(54) **ASSISTIVE ROBOT**

(71) Applicant: **Toyota Research Institute, Inc.**, Los Altos, CA (US)

(72) Inventor: **Christopher Tidwell**, Sherborn, MA (US)

(73) Assignee: **TOYOTA RESEARCH INSTITUTE, INC.**, Los Altos, CA (US)

(\*\*) Term: **15 Years**

(21) Appl. No.: **29/673,151**

(22) Filed: **Dec. 12, 2018**

(51) **LOC (13) Cl.** ..... **15-99**

(52) **U.S. Cl.**  
USPC ..... **D15/199**

(58) **Field of Classification Search**  
USPC ..... D15/199; D12/128-133  
CPC . B24B 37/34; B60R 2021/0027; B60R 21/00;  
G05B 19/042; G05B 19/402; G05B  
19/418; G05B 19/41835; G05B 19/42;  
G05B 2219/25145; G05B 2219/39082;  
G05B 2219/39191; G05B 2219/39322;  
G05B 2219/45031

See application file for complete search history.

(56) **References Cited**

**U.S. PATENT DOCUMENTS**

D810,167 S \* 2/2018 Yang ..... D15/199  
D811,458 S \* 2/2018 Wang ..... D15/199  
D813,281 S \* 3/2018 Kittmann ..... D15/199  
D817,375 S \* 5/2018 Deyle ..... D15/199  
D819,711 S \* 6/2018 Li ..... D15/199

D841,067 S \* 2/2019 Camporesi ..... D15/199  
D849,813 S \* 5/2019 Sutherland ..... D15/199  
D857,073 S \* 8/2019 Gayne ..... D15/199  
D869,533 S \* 12/2019 Kim ..... D15/199  
D870,787 S \* 12/2019 Kim ..... D15/199  
D870,788 S \* 12/2019 Kim ..... D15/199  
D879,174 S \* 3/2020 Kammermeier ..... D15/199  
D894,987 S \* 9/2020 Li ..... D15/199

**OTHER PUBLICATIONS**

Notice of Reasons for Rejection, Japanese Design Application No. 2019-012932, dated Sep. 17, 2019.

\* cited by examiner

*Primary Examiner* — Khawaja Anwar

(74) *Attorney, Agent, or Firm* — Dinsmore & Shohl LLP

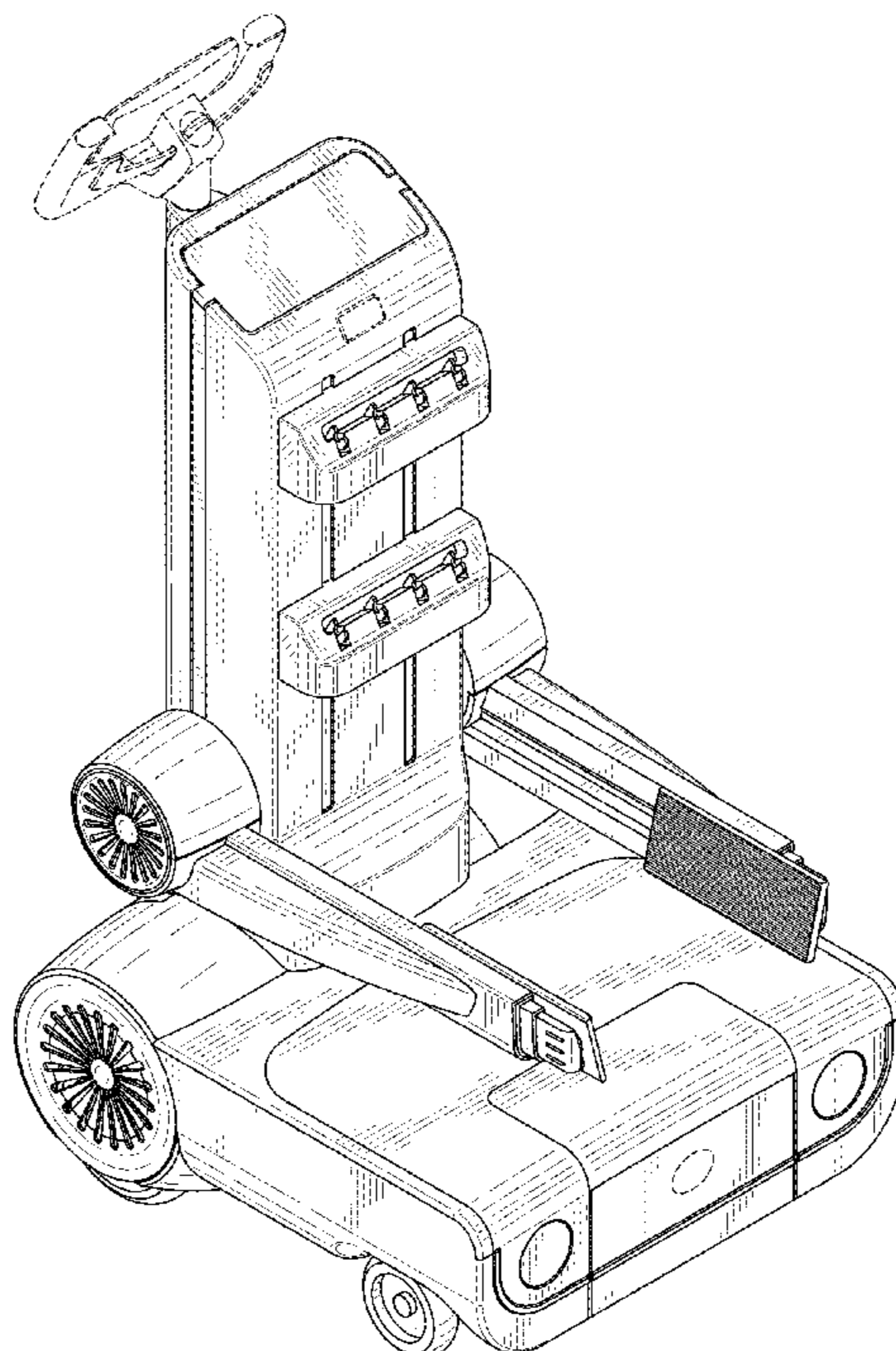
(57) **CLAIM**

The ornamental design for an assistive robot, as shown and described herein.

**DESCRIPTION**

FIG. 1 is a front perspective view of an assistive robot illustrating my new design;  
FIG. 2 is a front view of the design of FIG. 1;  
FIG. 3 is a rear view of the design of FIG. 1;  
FIG. 4 is a side view of the design of FIG. 1;  
FIG. 5 is a side view of the design of FIG. 1;  
FIG. 6 is a top view of the design of FIG. 1; and,  
FIG. 7 is a bottom view of the design of FIG. 1.  
The broken lines represent portions of the structure that form no part of the claim.

**1 Claim, 7 Drawing Sheets**



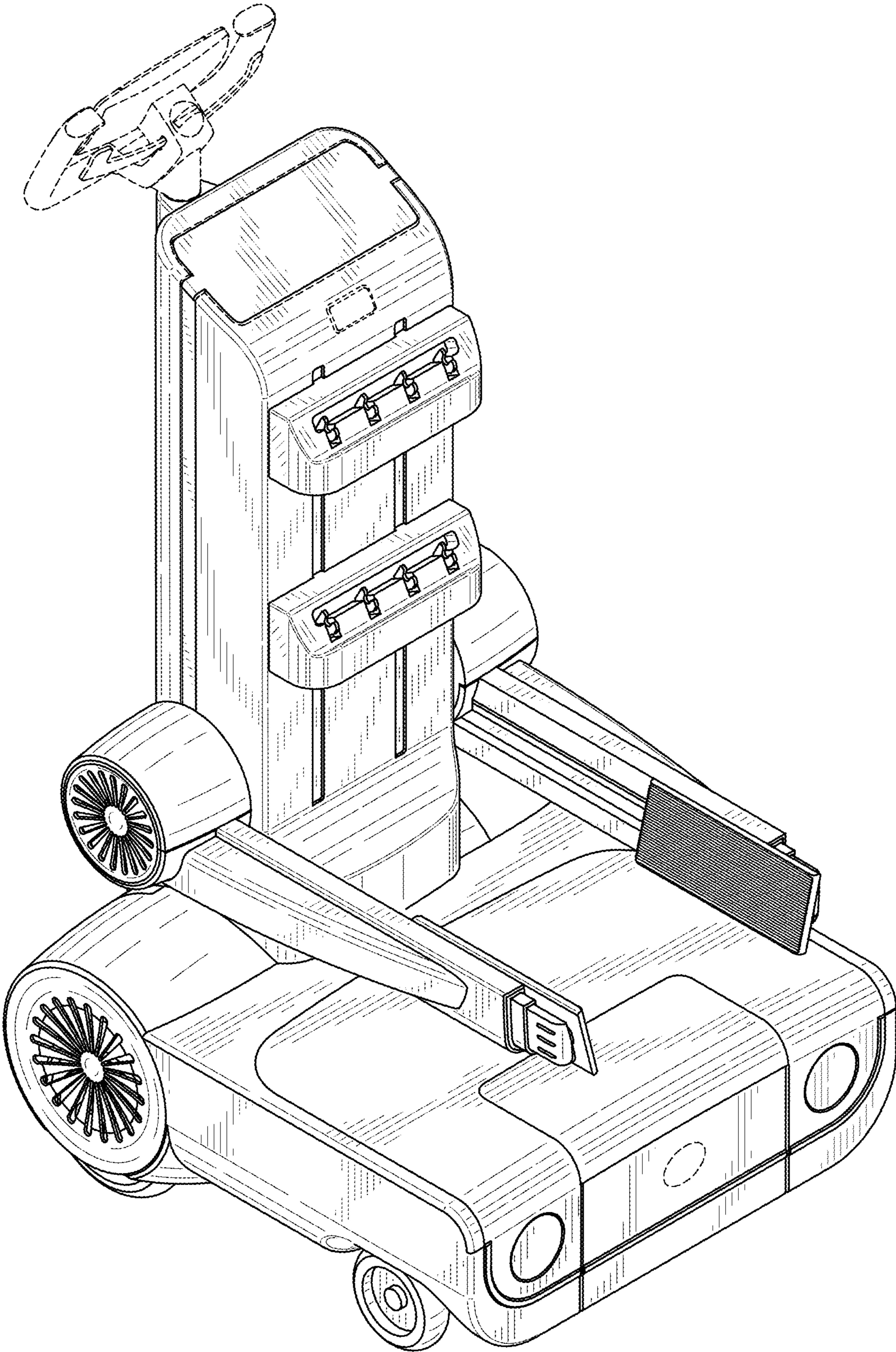


FIG. 1

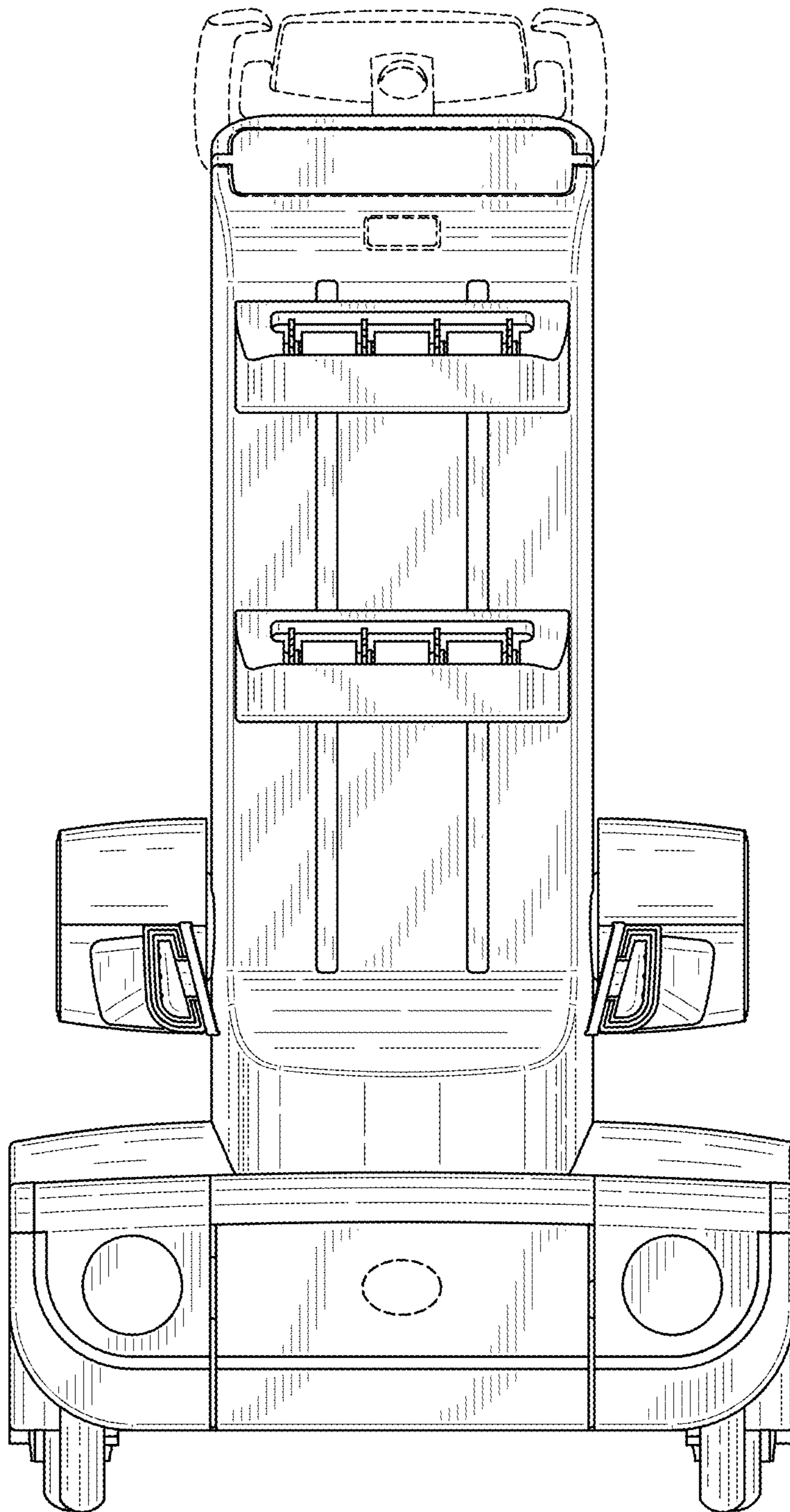


FIG. 2

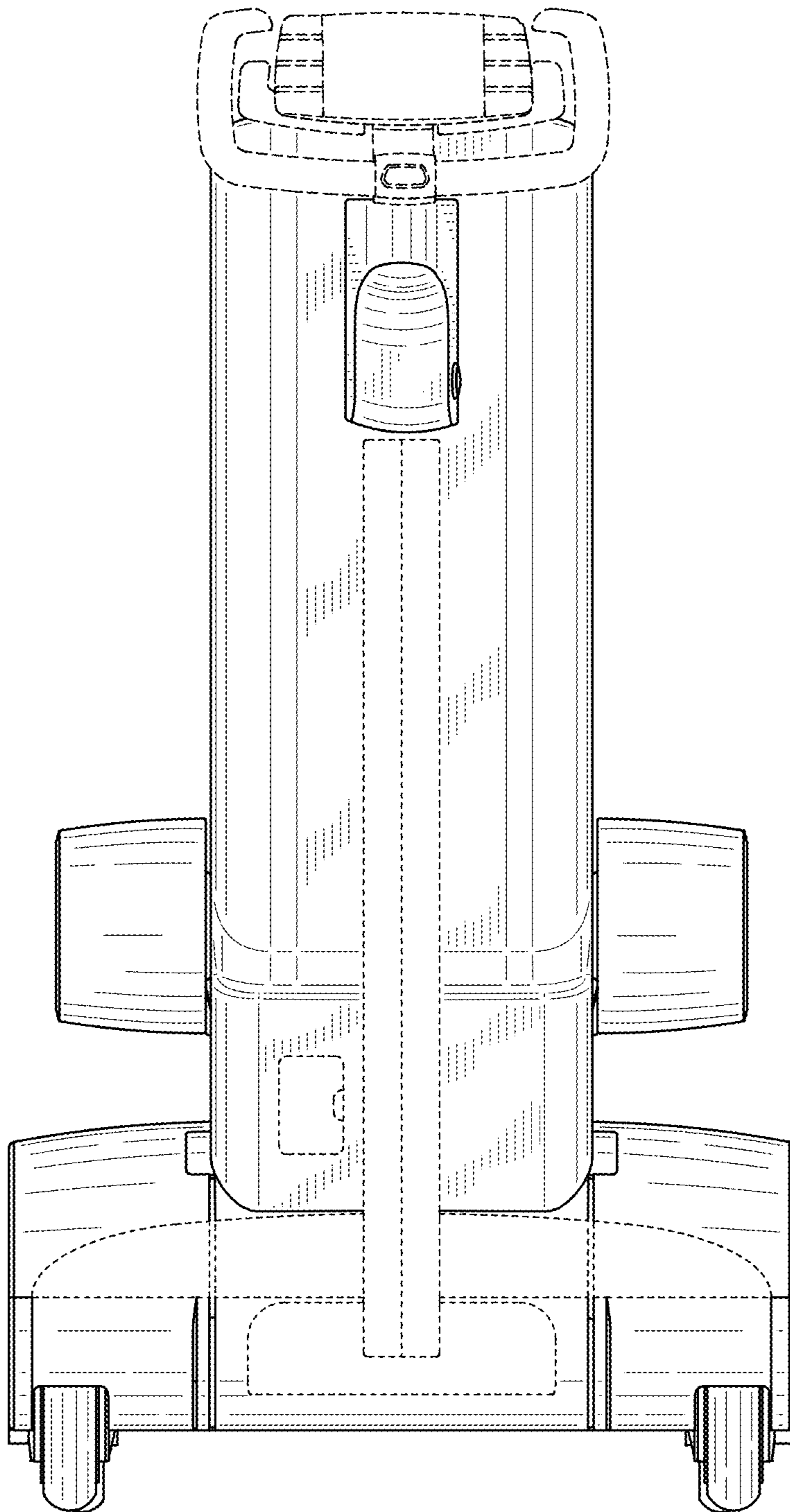


FIG. 3

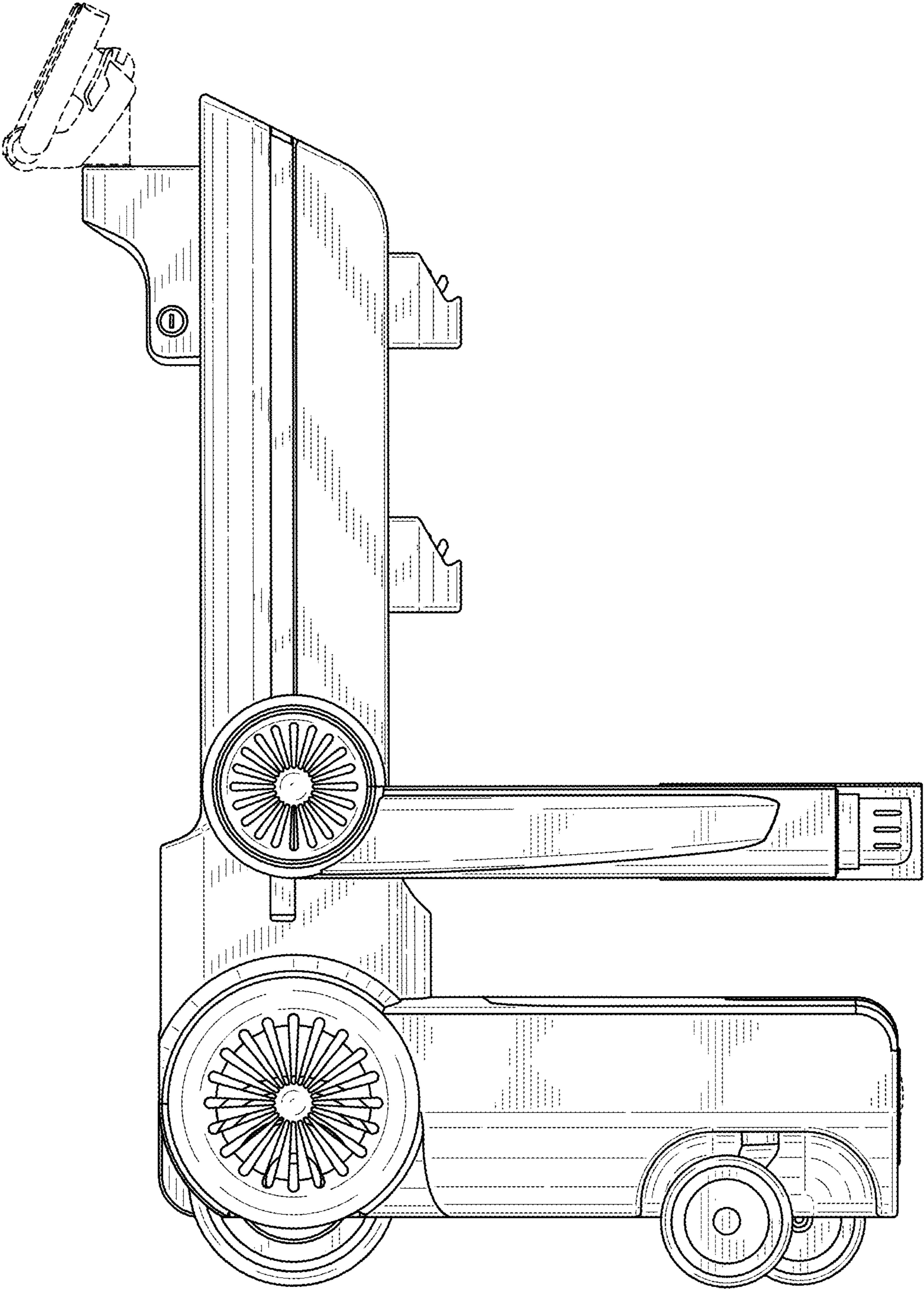


FIG. 4

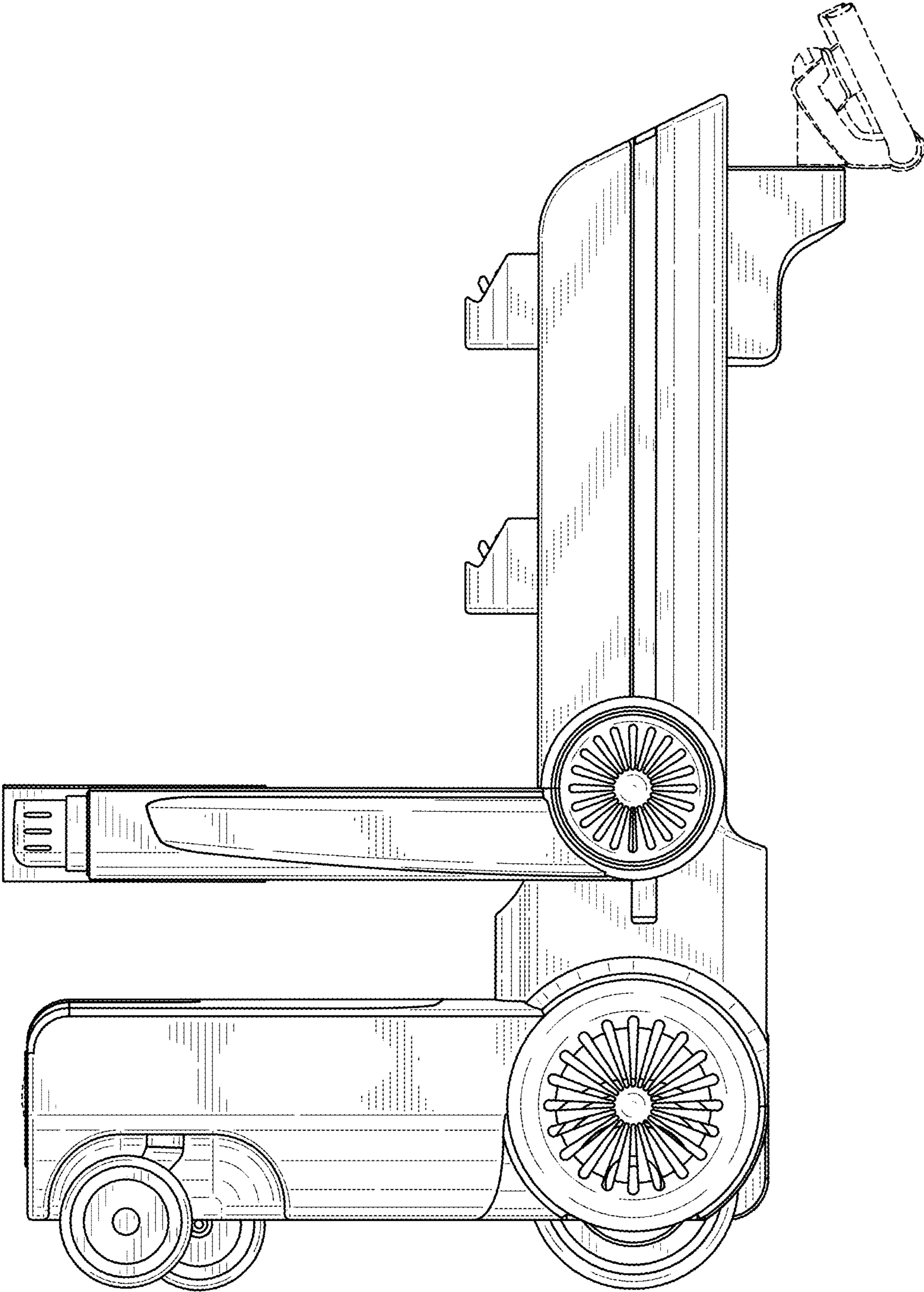


FIG. 5

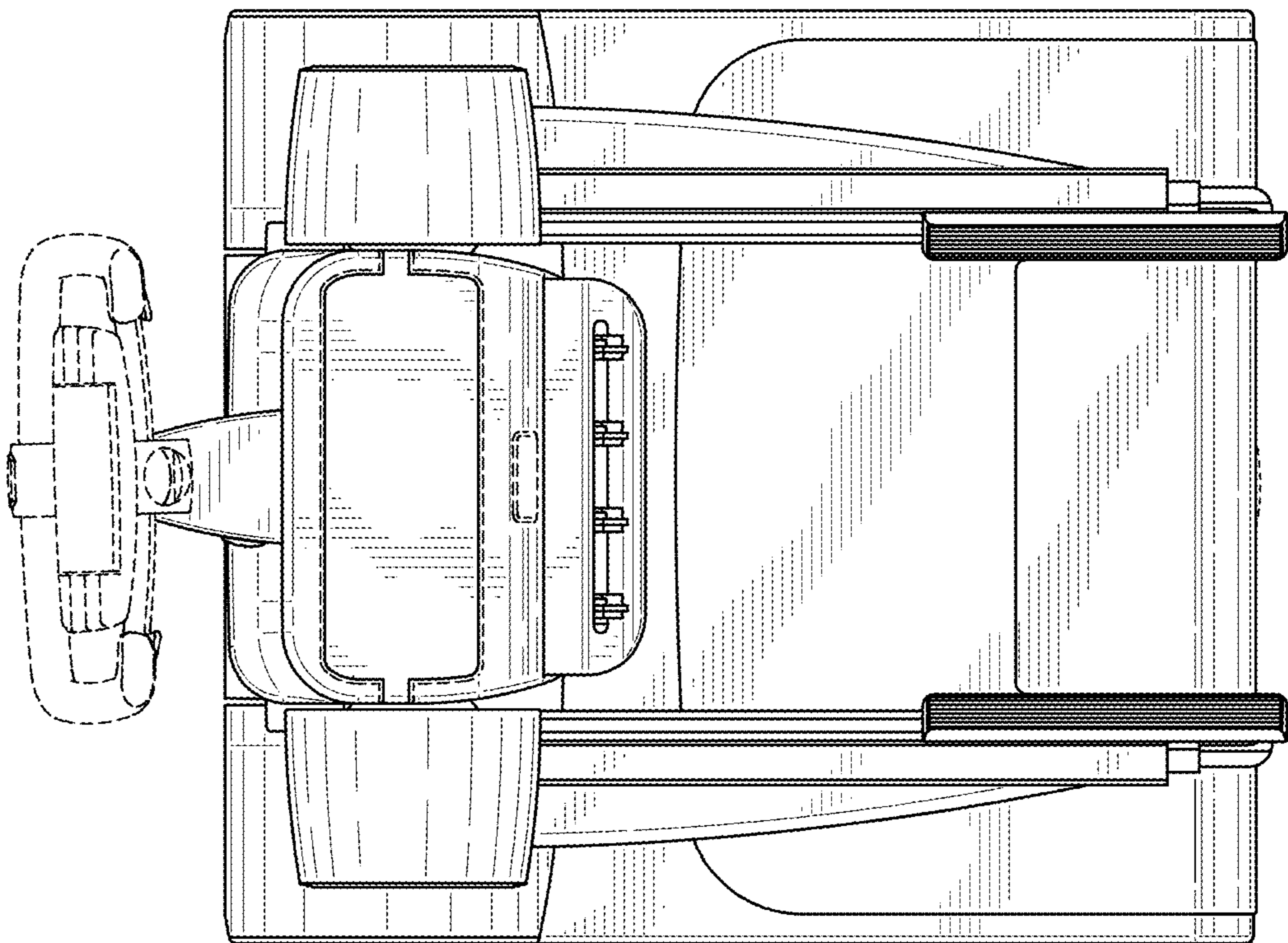


FIG. 6

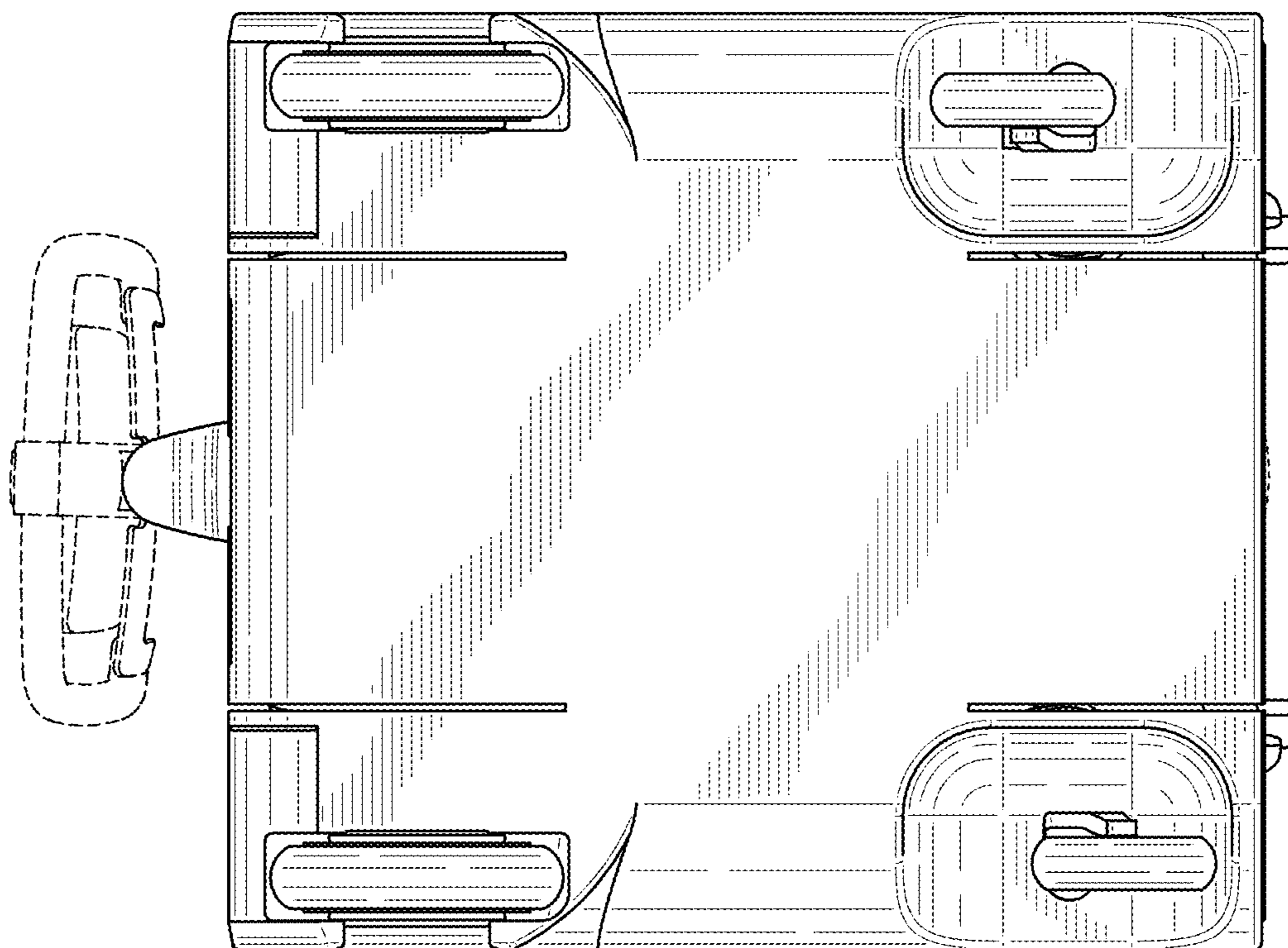


FIG. 7