



US00D939002S

(12) **United States Design Patent** (10) **Patent No.:** **US D939,002 S**
Eurich et al. (45) **Date of Patent:** **** Dec. 21, 2021**

(54) **VACUUM SEALER**

(71) Applicant: **Sunbeam Products, Inc.**, Boca Raton, FL (US)

(72) Inventors: **Sean T Eurich**, Portage, MI (US);
Christian S Leyden, Portage, MI (US);
Marcel A Souza, Kalamazoo (BR)

(73) Assignee: **Sunbeam Products, Inc.**, Boca Raton, FL (US)

(**) Term: **15 Years**

(21) Appl. No.: **29/691,021**

(22) Filed: **May 13, 2019**

(51) **LOC (13) Cl.** **15-99**

(52) **U.S. Cl.**
USPC **D15/146**

(58) **Field of Classification Search**
USPC D15/134, 146; D18/50, 55; D14/125,
D14/214–216, 422

CPC B65B 31/00; B65B 31/02; B65B 31/024;
B65B 31/048; B65B 51/10; B65B 51/14;
B65B 51/146; B65B 41/12; B29C
66/8491; B29C 65/30

See application file for complete search history.

(56) **References Cited**

U.S. PATENT DOCUMENTS

- 5,048,269 A * 9/1991 Deni B29C 66/81427
53/512
- D336,582 S * 6/1993 Harrison D6/522
- D364,059 S * 11/1995 Merriweather, Jr. D6/518
- 5,660,313 A * 8/1997 Newbold A47K 10/32
206/205
- 5,715,971 A * 2/1998 Morand A47K 10/3818
221/45
- 5,772,291 A * 6/1998 Byrd A47K 10/36
242/563.2

- D419,014 S * 1/2000 Fluegge D6/522
- D506,214 S * 6/2005 Zepter D15/146
- D515,601 S * 2/2006 Sholzberg D15/146
- D544,907 S * 6/2007 Tjin Wong Joe D18/55
- D597,572 S * 8/2009 Tsai D15/146
- D633,118 S * 2/2011 Beatty D15/146
- D658,694 S * 5/2012 Day D15/146
- D686,212 S * 7/2013 Yamano D14/422
- D694,793 S * 12/2013 Cumming D15/146
- D694,794 S * 12/2013 Cumming D15/146
- D763,334 S * 8/2016 Yoshitomi D15/146
- D777,248 S * 1/2017 Oguchi D18/50
- D788,199 S * 5/2017 Owens D15/146
- D789,431 S * 6/2017 Owens D15/146
- D820,905 S * 6/2018 Wan D18/50
- D823,913 S * 7/2018 Chou D15/146
- D847,226 S * 4/2019 Owens D15/134

(Continued)

OTHER PUBLICATIONS

Foodsaver, VS3182 Multi-Use Vacuum Sealing & Food Preservation System, (site visited Mar. 11, 2021), Foodsaver.com, URL: <<https://www.foodsaver.com/food-vacuum-sealers/countertop-vacuum-sealers/>> (Year: 2021).*

(Continued)

Primary Examiner — Calvin E Vansant
Assistant Examiner — Mark T. Philipps

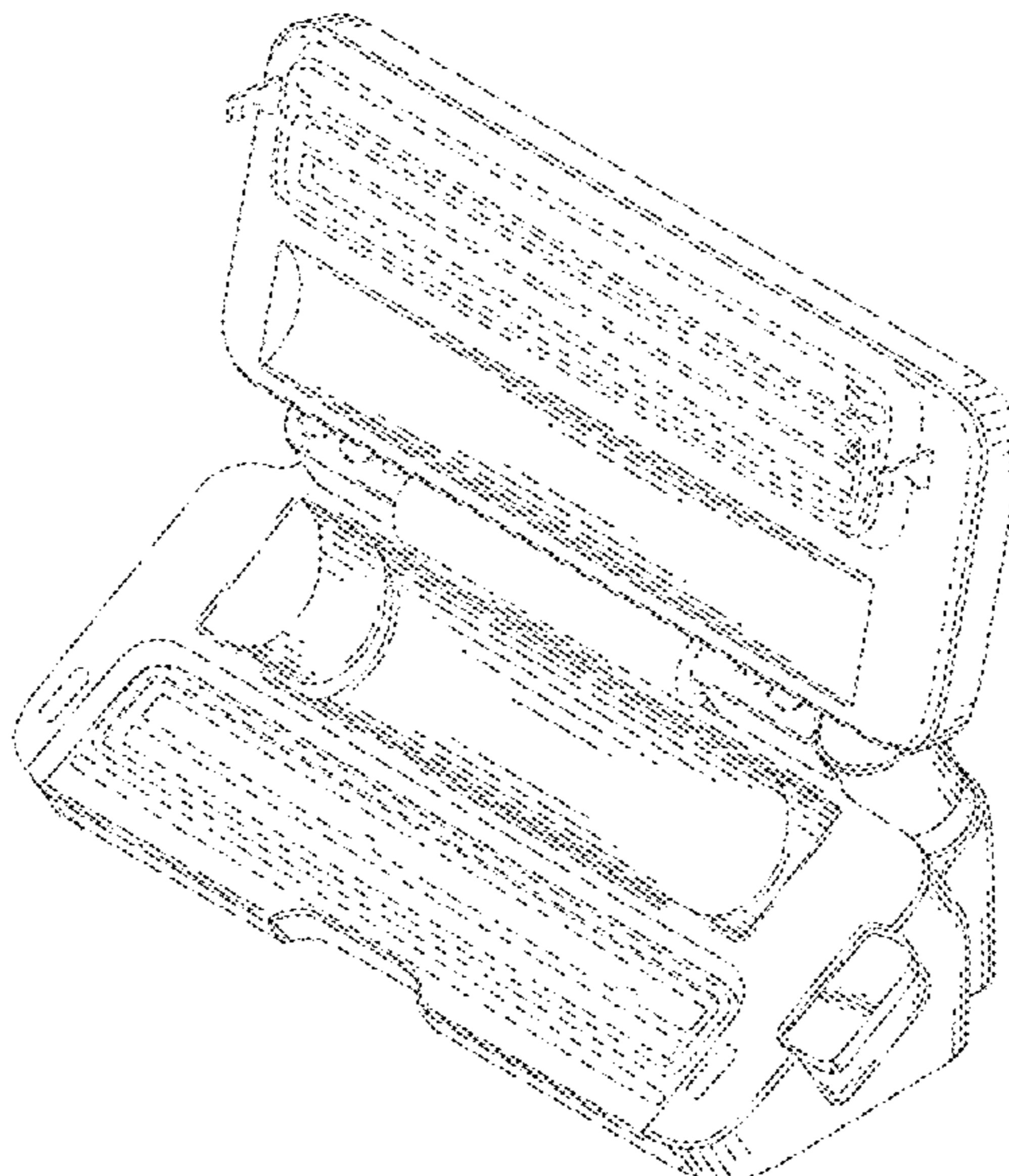
(57) **CLAIM**

The ornamental design for a vacuum sealer, as shown and described.

DESCRIPTION

FIG. 1 is a front perspective view of the vacuum sealer with the top in an open position; FIG. 2 is a front view thereof; and, FIG. 3 is a top view thereof. The broken lines depict portions of the vacuum sealer that form no part of the claimed design.

1 Claim, 3 Drawing Sheets



(56)

References Cited

U.S. PATENT DOCUMENTS

D854,065 S * 7/2019 Owens D15/146
 D854,594 S * 7/2019 Carey D15/146
 D871,470 S * 12/2019 Xu D15/146
 D881,245 S * 4/2020 Zheng D15/146
 D902,271 S * 11/2020 Chen D15/145
 2002/0079344 A1* 6/2002 Pitzen B65H 35/0086
 225/20
 2005/0223682 A1* 10/2005 Sung B65B 31/046
 53/512
 2007/0199283 A1* 8/2007 Sung B65B 31/046
 53/512
 2009/0255221 A1* 10/2009 Lyman, Jr. B65B 31/046
 53/512
 2012/0060447 A1* 3/2012 Liu B29C 65/224
 53/434
 2013/0232925 A1* 9/2013 Huang B65B 51/148
 53/510
 2014/0196405 A1* 7/2014 Owens B29C 66/91212
 53/396

2016/0101885 A1* 4/2016 Ledger B29C 66/00145
 53/110
 2018/0079538 A1* 3/2018 Hu B65B 31/024
 2018/0079544 A1* 3/2018 Palese B65B 7/02
 2018/0370669 A1* 12/2018 Xu B29C 65/7891
 2019/0009941 A1* 1/2019 Schandel B65B 61/26
 2019/0055042 A1* 2/2019 Leppert B29C 65/224
 2020/0299013 A1* 9/2020 Ye B29C 66/1122

OTHER PUBLICATIONS

Foodsaver, VS3150 Multi-Use Vacuum Sealing & Food Preservation, (first available Jul. 1, 2020), Amazon.com, URL:<<https://www.amazon.com/FoodSaver-VS3150-Multi-Use-Preservation-Additional/dp/B0892M5VW4>> (Year: 2020).*

Foodsaver, FM2435 Vacuum Sealer Machine with Bonus Handheld Sealer, (first available Jan. 6, 2016), Amazon.com, URL:<<https://www.amazon.com/FoodSaver-FM2435-Machine-Handheld-Certified/dp/B01C464ZCQ>> (Year: 2016).*

* cited by examiner

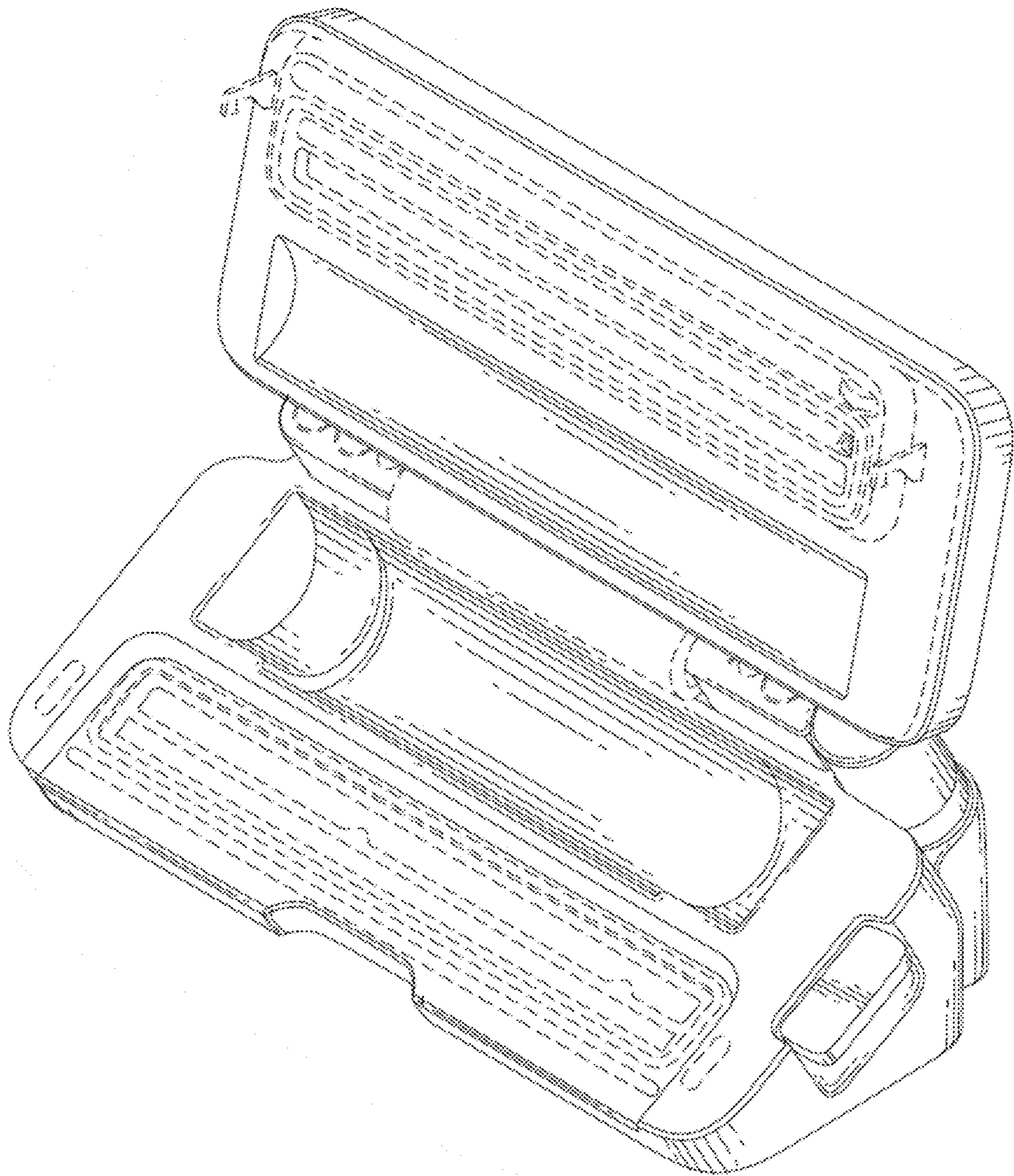


FIG. 1

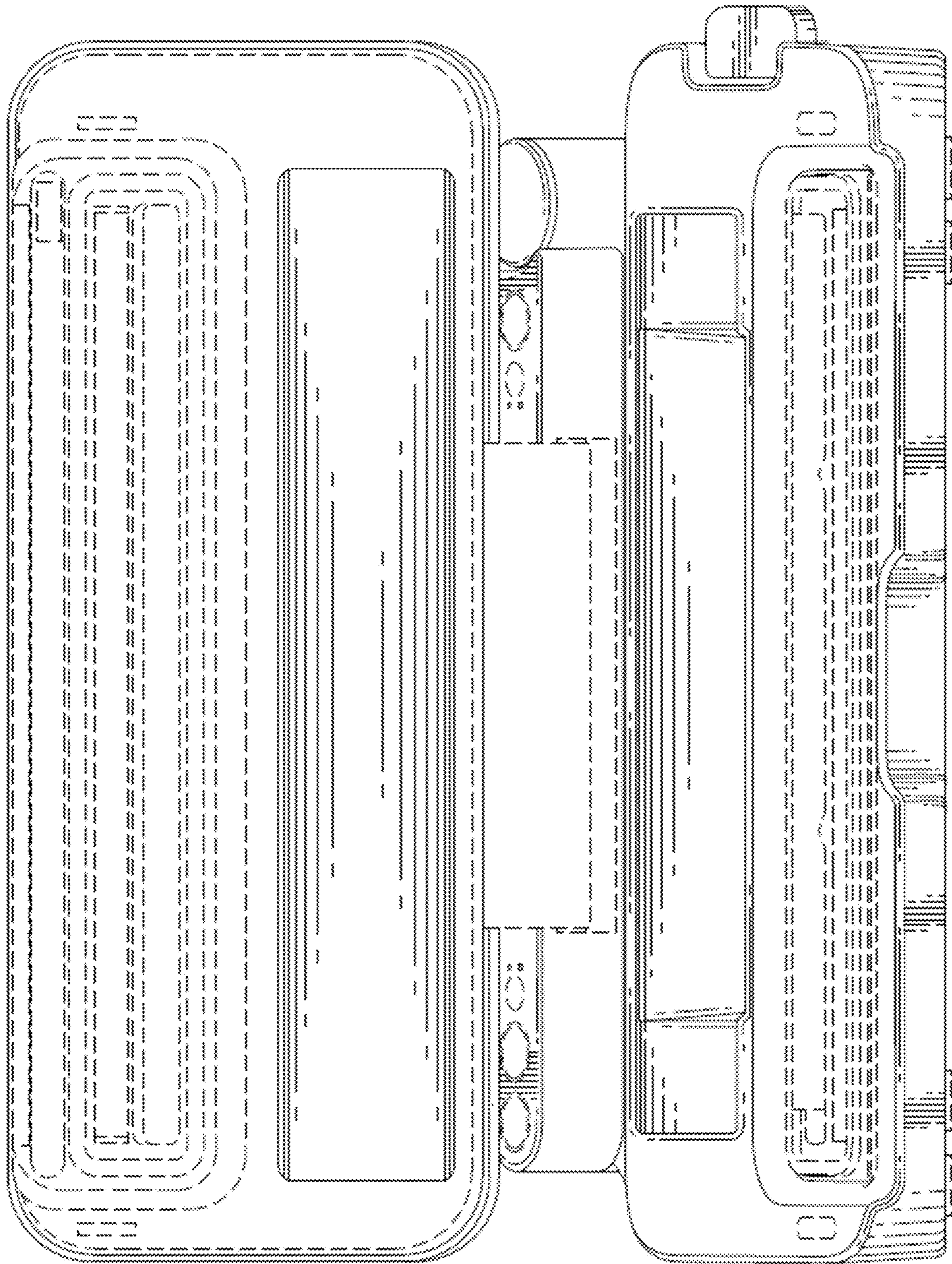


FIG. 2

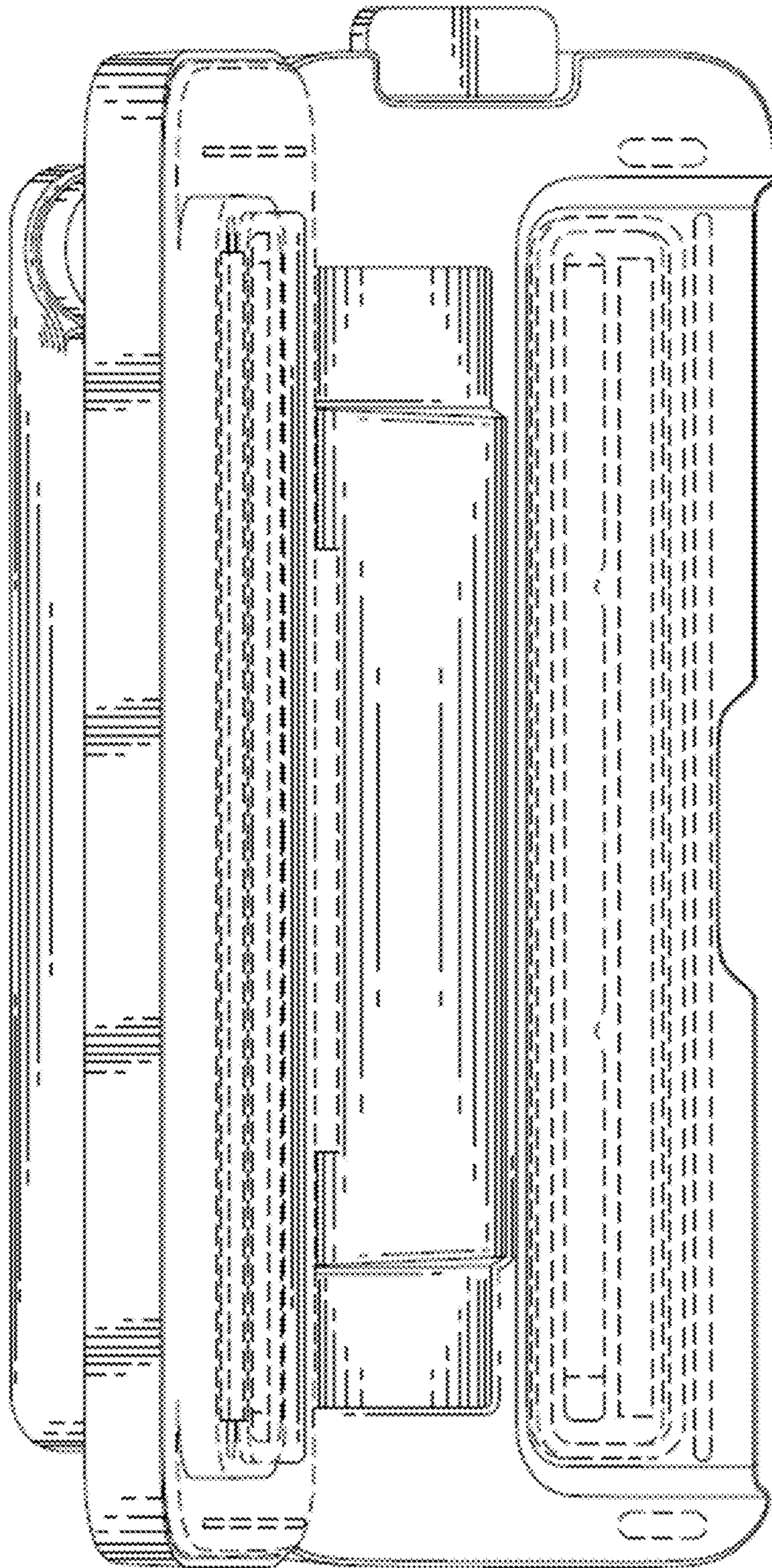


FIG. 3