



US00D938997S

(12) **United States Design Patent** (10) **Patent No.:** **US D938,997 S**
Fujii (45) **Date of Patent:** **** Dec. 21, 2021**

(54) **PISTON PUMP**

(71) Applicant: **KAWASAKI JUKOGYO**
KABUSHIKI KAISHA, Kobe (JP)

(72) Inventor: **Tomoyuki Fujii**, Kobe (JP)

(73) Assignee: **KAWASAKI JUKOGYO**
KABUSHIKI KAISHA, Kobe (JP)

(**) Term: **15 Years**

(21) Appl. No.: **29/745,750**

(22) Filed: **Aug. 7, 2020**

(30) **Foreign Application Priority Data**

Feb. 12, 2020 (JP) 2020-002639

(51) **LOC (13) Cl.** **15-02**

(52) **U.S. Cl.**
USPC **D15/7**

(58) **Field of Classification Search**
USPC D15/7, 9, 143, 148-149, 199; D23/225,
D23/231-233, 235
CPC F15B 15/16; F15B 15/26; F15B 15/1414;
F15B 15/1919; F15B 15/14; F15B 15/00;
F15B 15/08; F15B 15/18; F15B 15/20;
F02M 37/04; F04D 29/4286
See application file for complete search history.

(56) **References Cited**

U.S. PATENT DOCUMENTS

D396,726 S *	8/1998	Sadr	D15/5
D533,194 S *	12/2006	Cimbura	D15/5
D705,817 S *	5/2014	Bayyouk	D15/7
D706,832 S *	6/2014	Bayyouk	D15/7
D812,100 S *	3/2018	Litchfield	D15/5
D907,665 S *	1/2021	Wei	D15/5

(Continued)

OTHER PUBLICATIONS

Kawasaki, "Hydraulic Pumps", (site visited Aug. 10, 2021), KPM-US.com, URL:<<https://www.kpm-usa.com/products/hydraulic-pumps/>> (Year: 2021).*

(Continued)

Primary Examiner — Calvin E Vansant

Assistant Examiner — Mark T. Philipps

(74) *Attorney, Agent, or Firm* — Alleman Hall Creasman & Tuttle LLP

(57) **CLAIM**

The ornamental design for a piston pump, as shown and described.

DESCRIPTION

FIG. 1 is a top left side perspective view of an ornamental design for a piston pump showing our new design.

FIG. 2 is a bottom left side perspective view of the piston pump of FIG. 1.

FIG. 3 is a top right side perspective view of the piston pump of FIG. 1.

FIG. 4 is a bottom right side perspective view of the piston pump of FIG. 1.

FIG. 5 is a front view of the piston pump of FIG. 1.

FIG. 6 is a rear view of the piston pump of FIG. 1.

FIG. 7 is a left side view of the piston pump of FIG. 1.

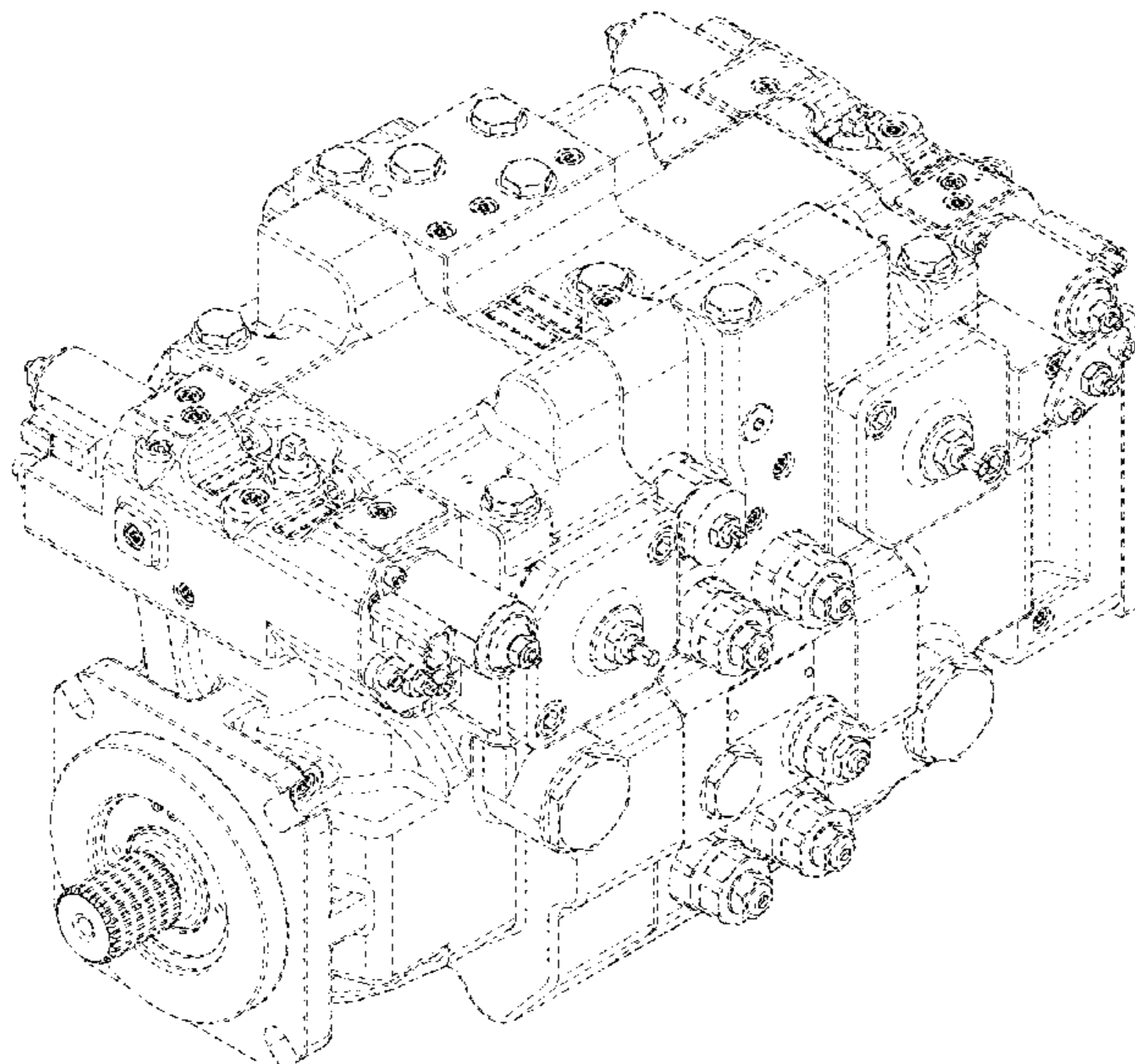
FIG. 8 is a right side view of the piston pump of FIG. 1.

FIG. 9 is a top view of the piston pump of FIG. 1; and,

FIG. 10 is a bottom view of the piston pump of FIG. 1.

This article is a tandem piston pump that can be used in, for example, construction machinery. Four ports, a discharge port and a suction port of one piston and a discharge port and a suction port of the other piston, are arranged vertically in a row in a center in a left and right direction on a rear side of the piston pump. The broken lines illustrating a body of the piston pump form no part of the claimed design.

1 Claim, 10 Drawing Sheets



(56)

References Cited

U.S. PATENT DOCUMENTS

D908,141 S * 1/2021 Wei D15/5
2015/0098815 A1* 4/2015 Chu F02B 37/025
415/213.1

OTHER PUBLICATIONS

Danfoss, HIT 045/053/060/068 H1 Axial Piston Tandem Pumps,
(Published Jul. 2018), Slimlinehydrotek.com website, URL:<<https://www.slimlinehydrotek.com/wp-content/uploads/2020/05/H1-Axial-Piston-Tandem-Pumps.pdf>> (Year: 2018).*

* cited by examiner

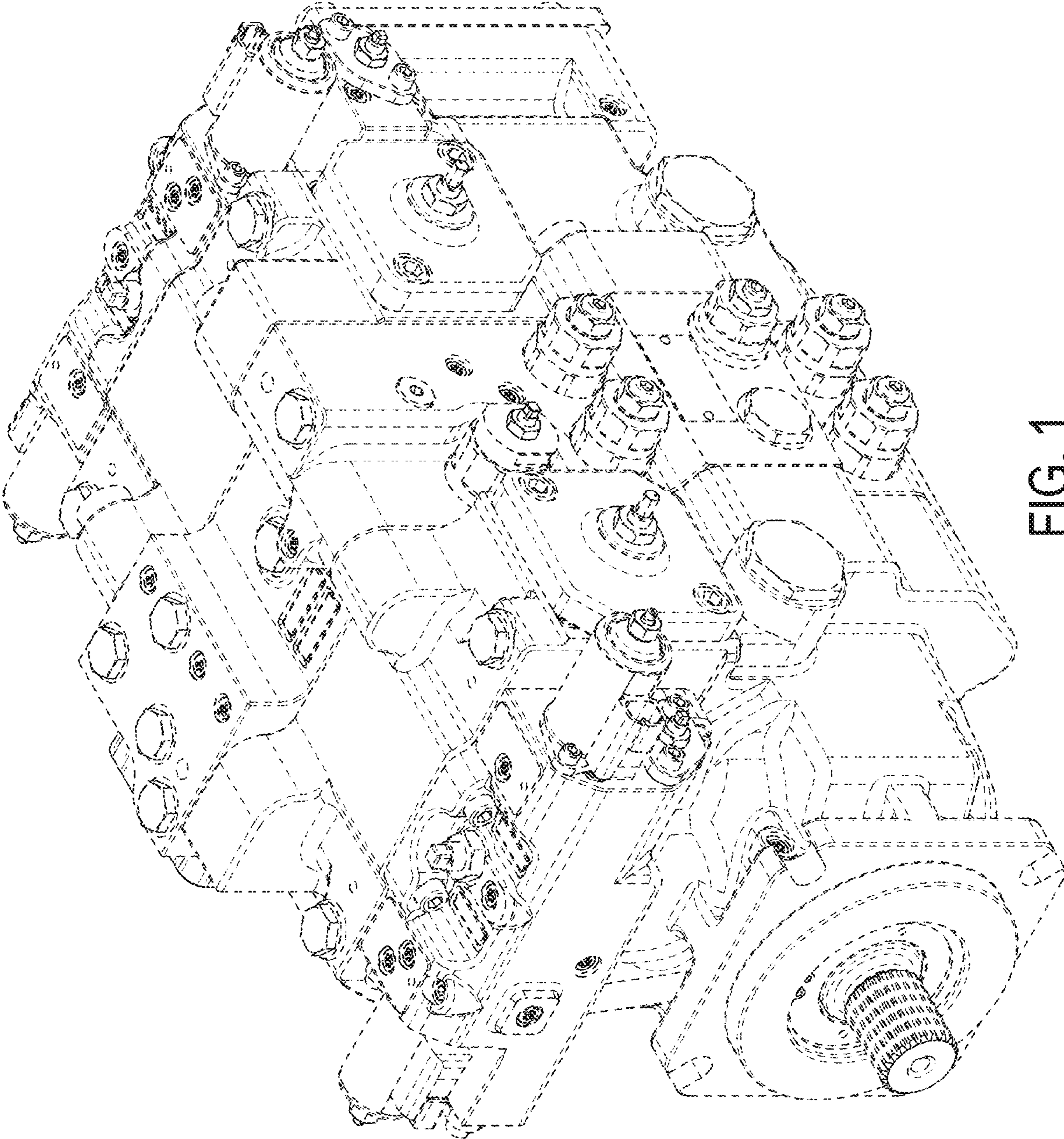


FIG. 1

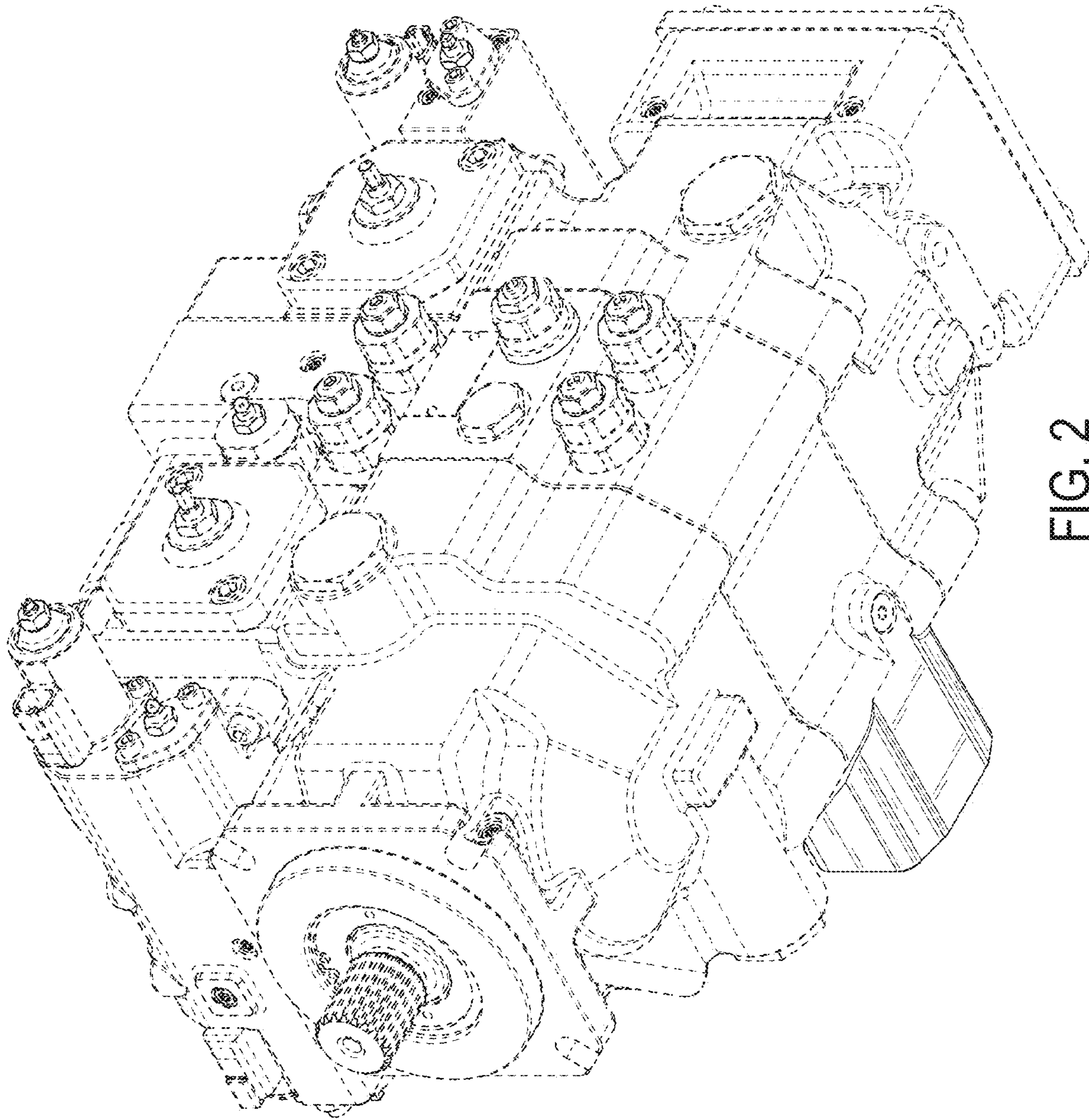


FIG. 2

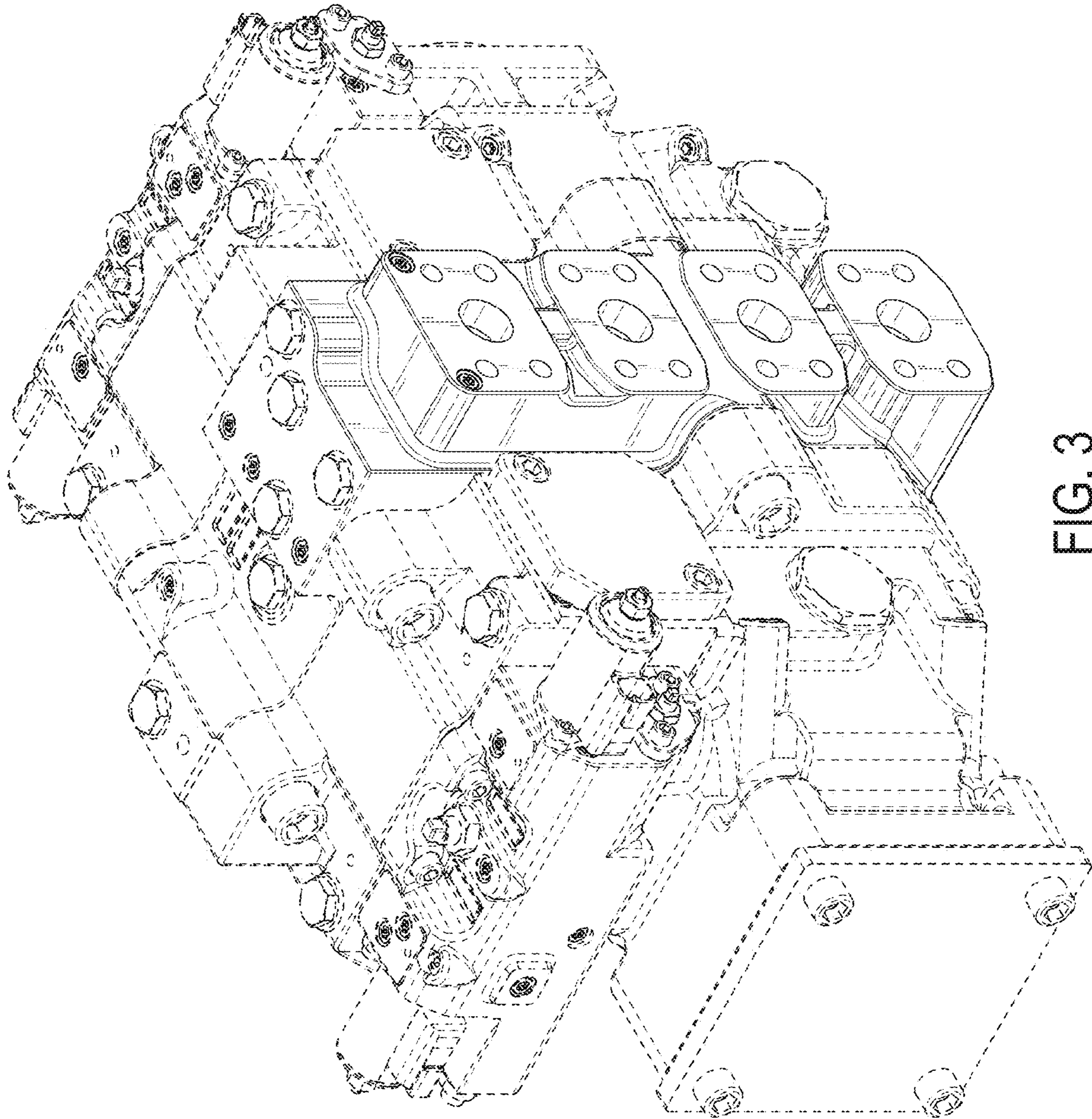


FIG. 3

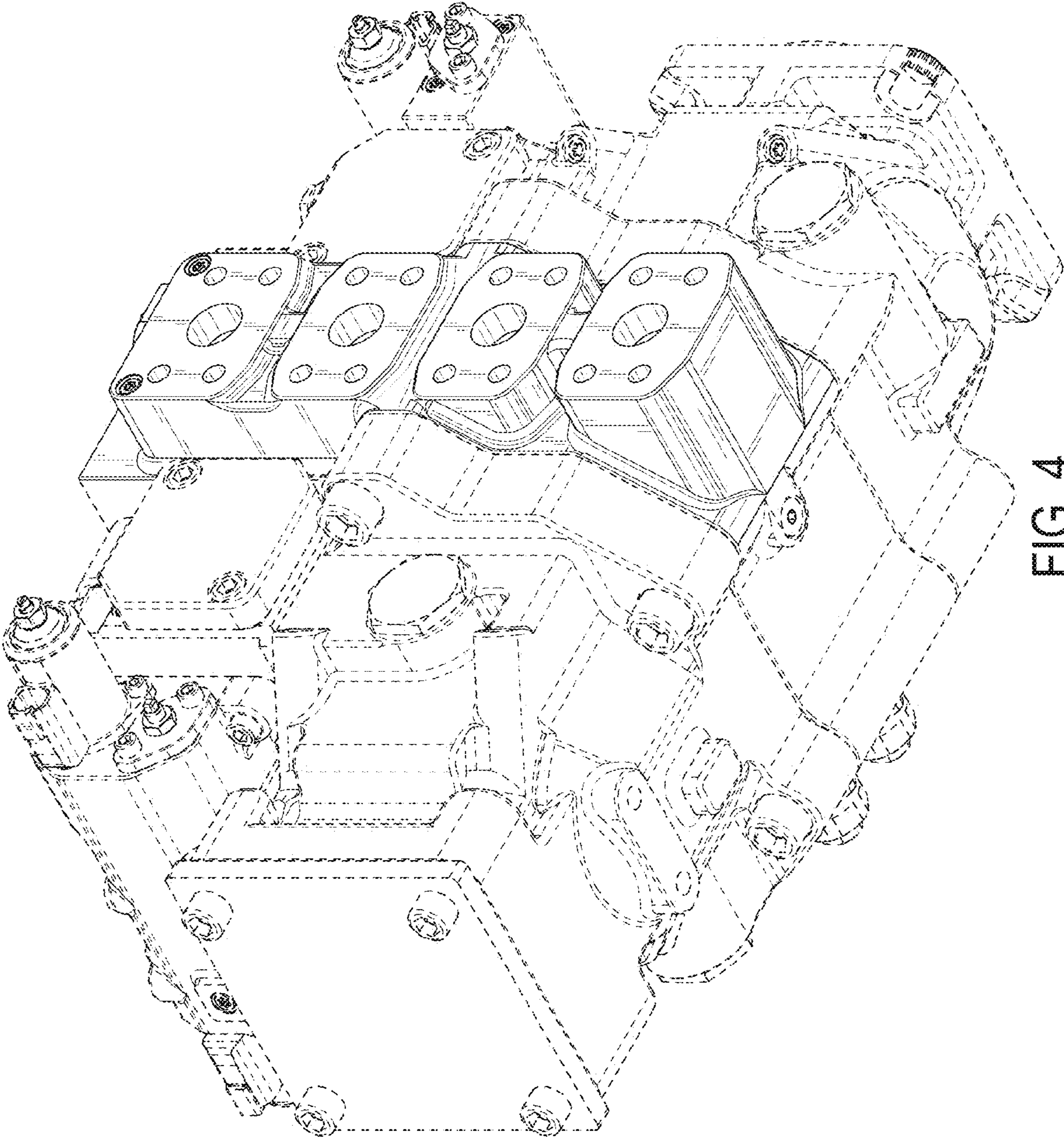


FIG. 4

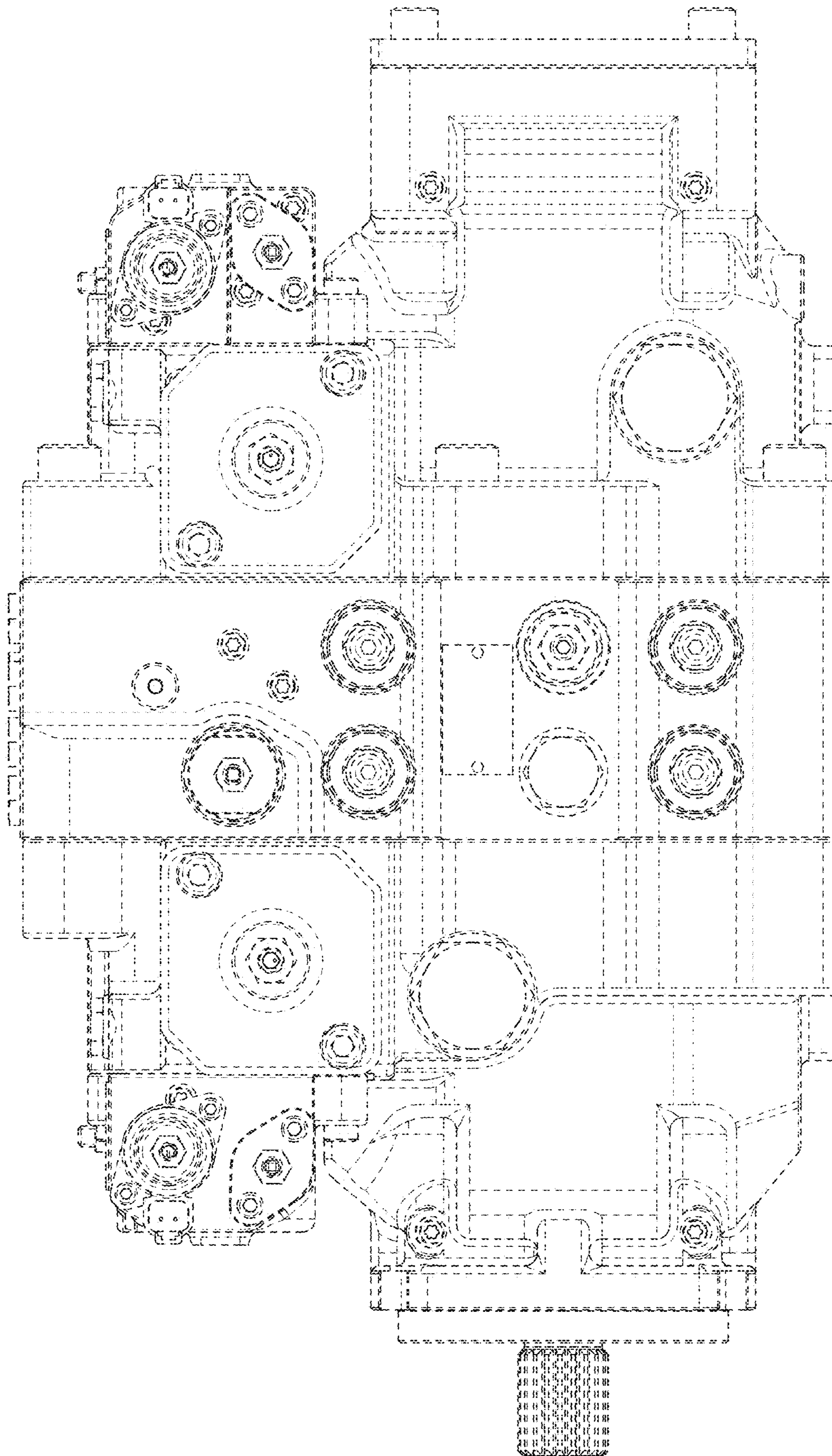


FIG. 5

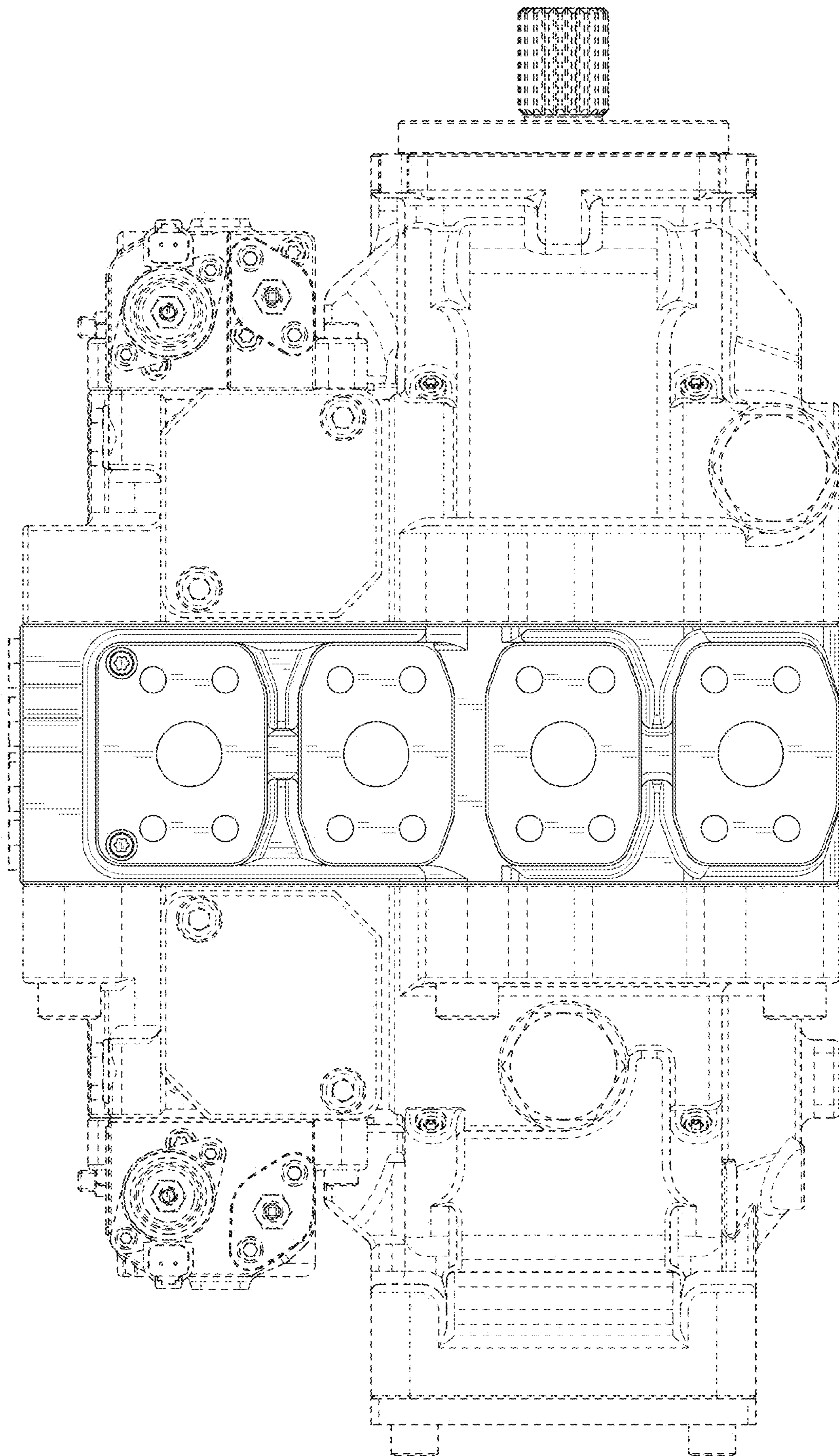


FIG. 6

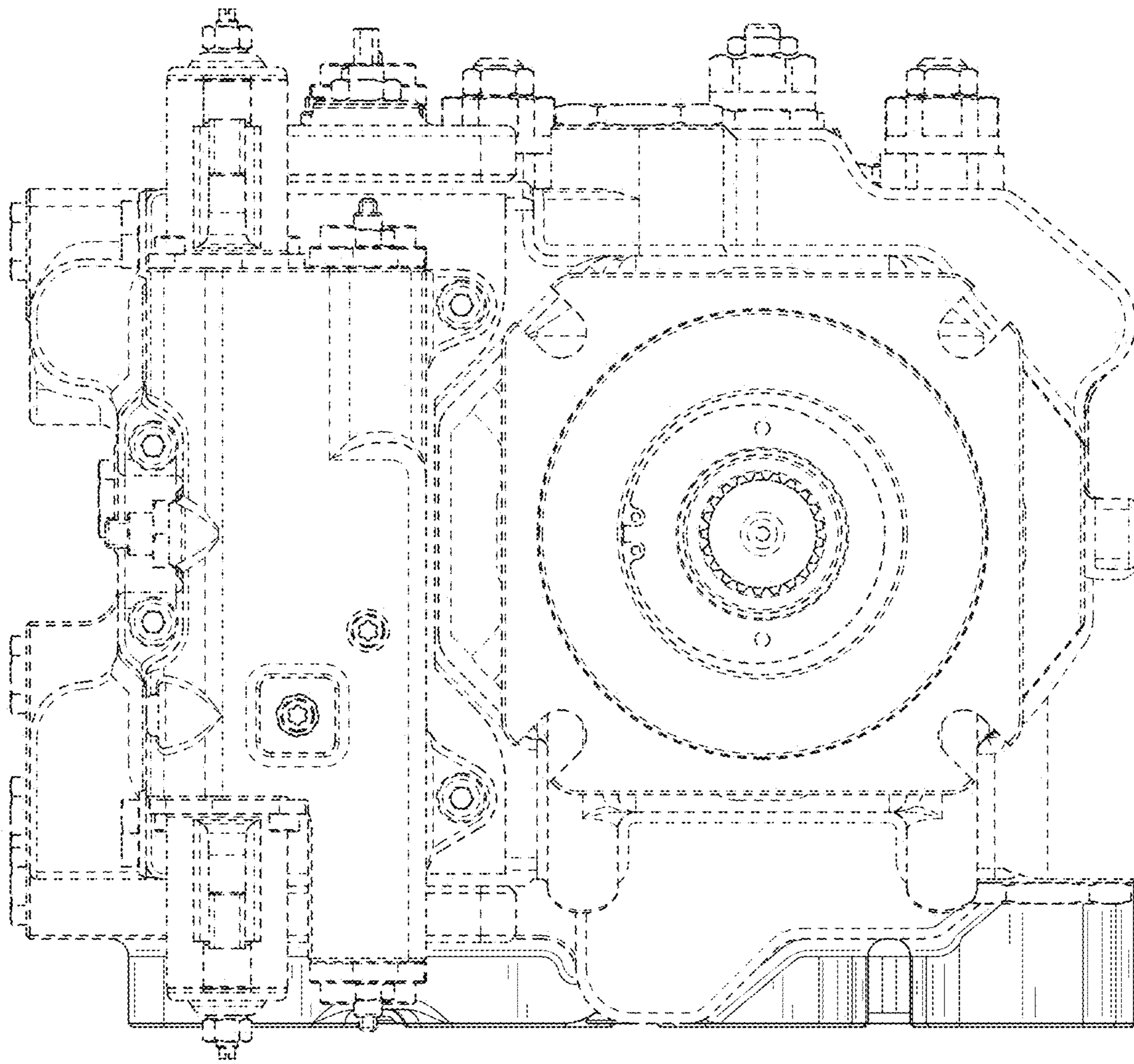


FIG. 7

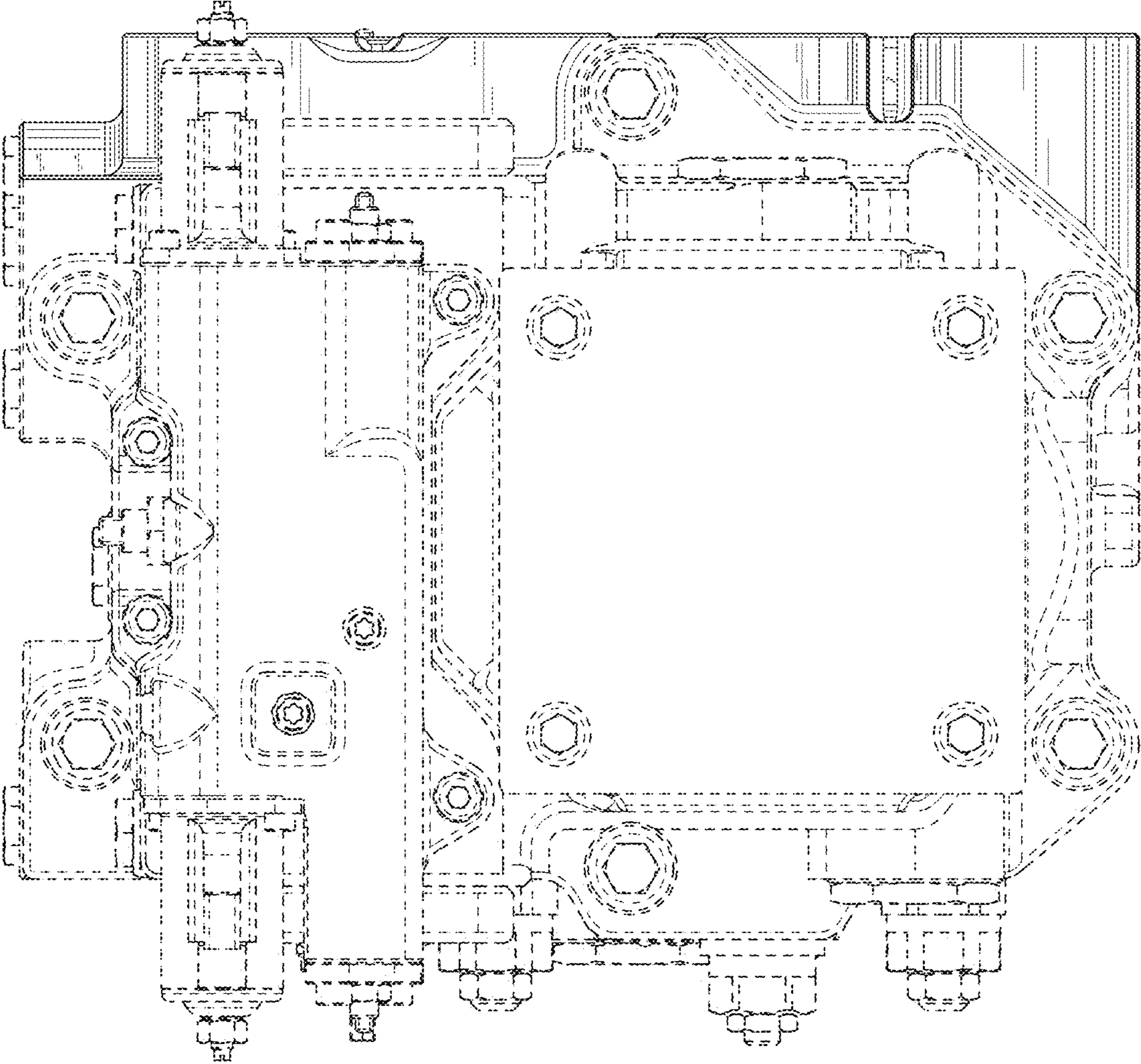


FIG. 8

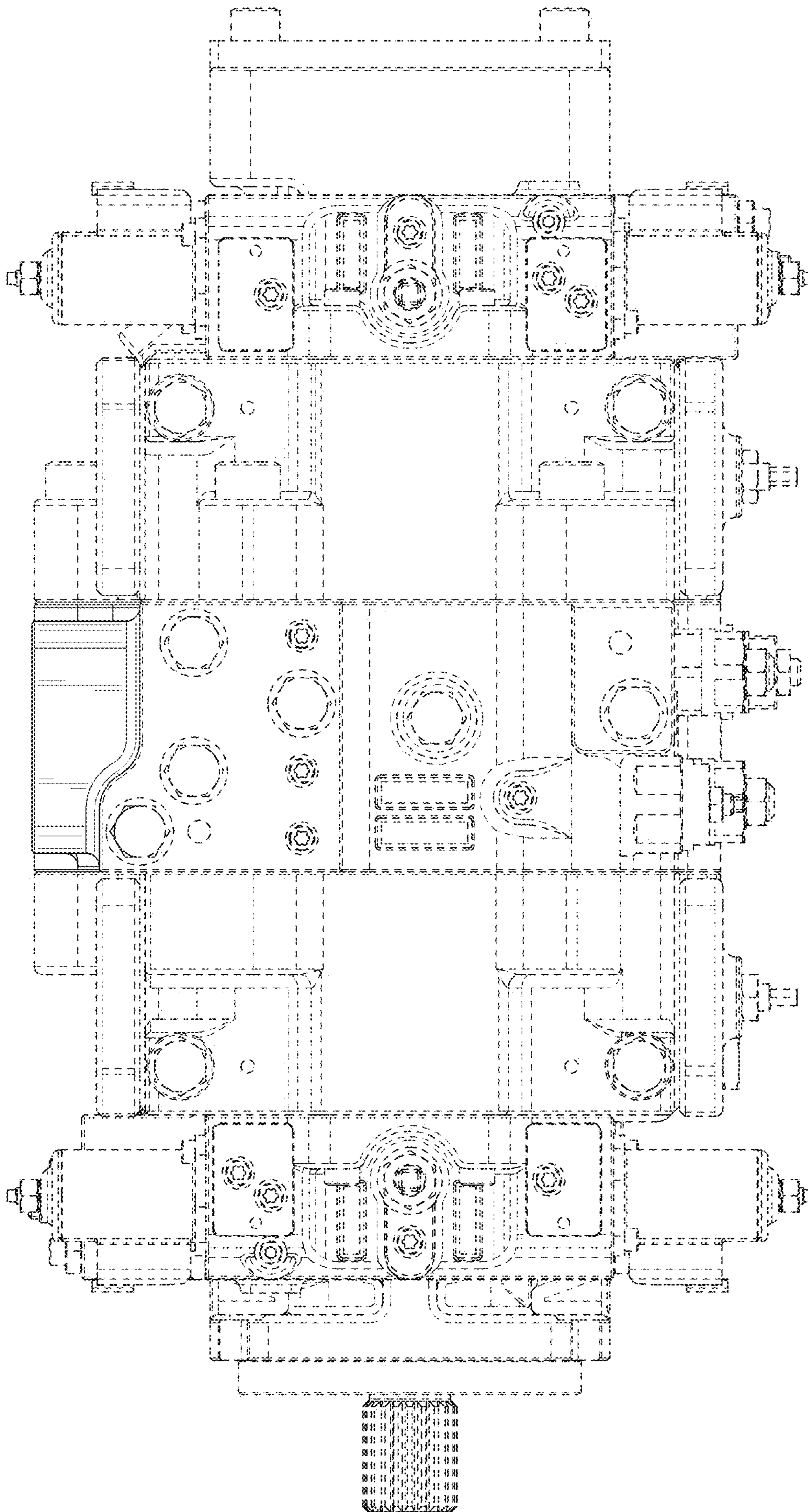


FIG. 9

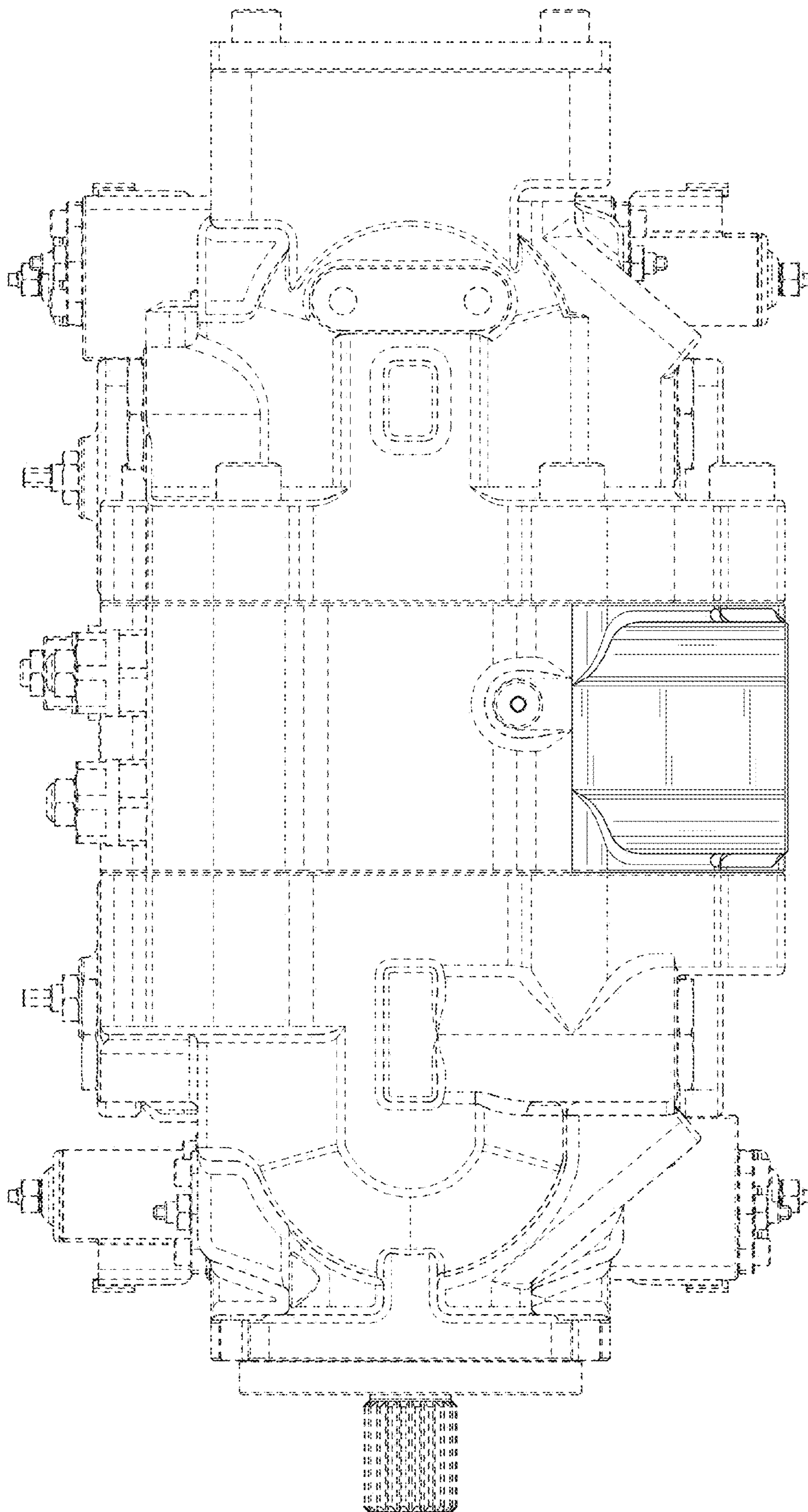


FIG. 10