



US00D938995S

(12) **United States Design Patent** (10) **Patent No.:** **US D938,995 S**  
**Wegner et al.** (45) **Date of Patent:** **\*\* Dec. 21, 2021**

(54) **ENGINE INCORPORATING OVERHEAD VALVE COVER**

(56) **References Cited**

U.S. PATENT DOCUMENTS

(71) Applicant: **Kohler Co.**, Kohler, WI (US)  
 (72) Inventors: **Brett Wegner**, Glenbeulah, WI (US);  
**Eric B. Hudak**, Sheboygan, WI (US);  
**Kenneth S. Hanna**, Bellingham, WA  
 (US); **Mark J. Huibregtse**, Elkhart  
 Lake, WI (US); **David Schultz**,  
 Manitowoc, WI (US)

D97,155 S 10/1935 Chernow  
 D97,432 S 11/1935 Chernow  
 D97,840 S 12/1935 Chernow  
 3,822,487 A 7/1974 Koch  
 D379,995 S 6/1997 Gilmore  
 D396,045 S 7/1998 Neeley  
 D428,074 S 7/2000 Bitton  
 D487,700 S 3/2004 Bourque et al.  
 D527,022 S 8/2006 Walters  
 D594,878 S 6/2009 Post et al.  
 7,594,484 B2 9/2009 Lavender et al.

(Continued)

(73) Assignee: **Kohler Co.**

(\*\*) Term: **15 Years**

(21) Appl. No.: **29/784,106**

(22) Filed: **May 18, 2021**

*Primary Examiner* — Mark A Goodwin

(74) *Attorney, Agent, or Firm* — The Belles Group, P.C.

(57) **CLAIM**

The ornamental design for an engine incorporating an overhead valve cover, as shown and described.

**DESCRIPTION**

FIG. 1 is a front-right top perspective view of an engine incorporating an overhead valve cover according to the new design;

FIG. 2 is a front-left top perspective view thereof;

FIG. 3 is a rear-left top perspective view thereof;

FIG. 4 is a rear-right top perspective view thereof;

FIG. 5 is a front-right bottom perspective view thereof;

FIG. 6 is a front-left bottom perspective view thereof;

FIG. 7 is a rear-left bottom perspective view thereof;

FIG. 8 is a rear-right bottom perspective view thereof;

FIG. 9 is a front plan view thereof;

FIG. 10 is a rear plan view thereof;

FIG. 11 is a right-side plan view thereof;

FIG. 12 is a left-side plan view thereof;

FIG. 13 is a top plan view thereof; and,

FIG. 14 is a bottom plan view thereof.

The dashed lines of equal length in FIGS. 1-14 are for environmental purposes only and form no part of the claimed design.

**Related U.S. Application Data**

(62) Division of application No. 29/766,815, filed on Jan. 19, 2021, now Pat. No. Des. 923,055, which is a division of application No. 29/640,416, filed on Mar. 14, 2018, now Pat. No. Des. 911,139.

(51) **LOC (13) Cl.** ..... **15-01**

(52) **U.S. Cl.**  
USPC ..... **D15/5**

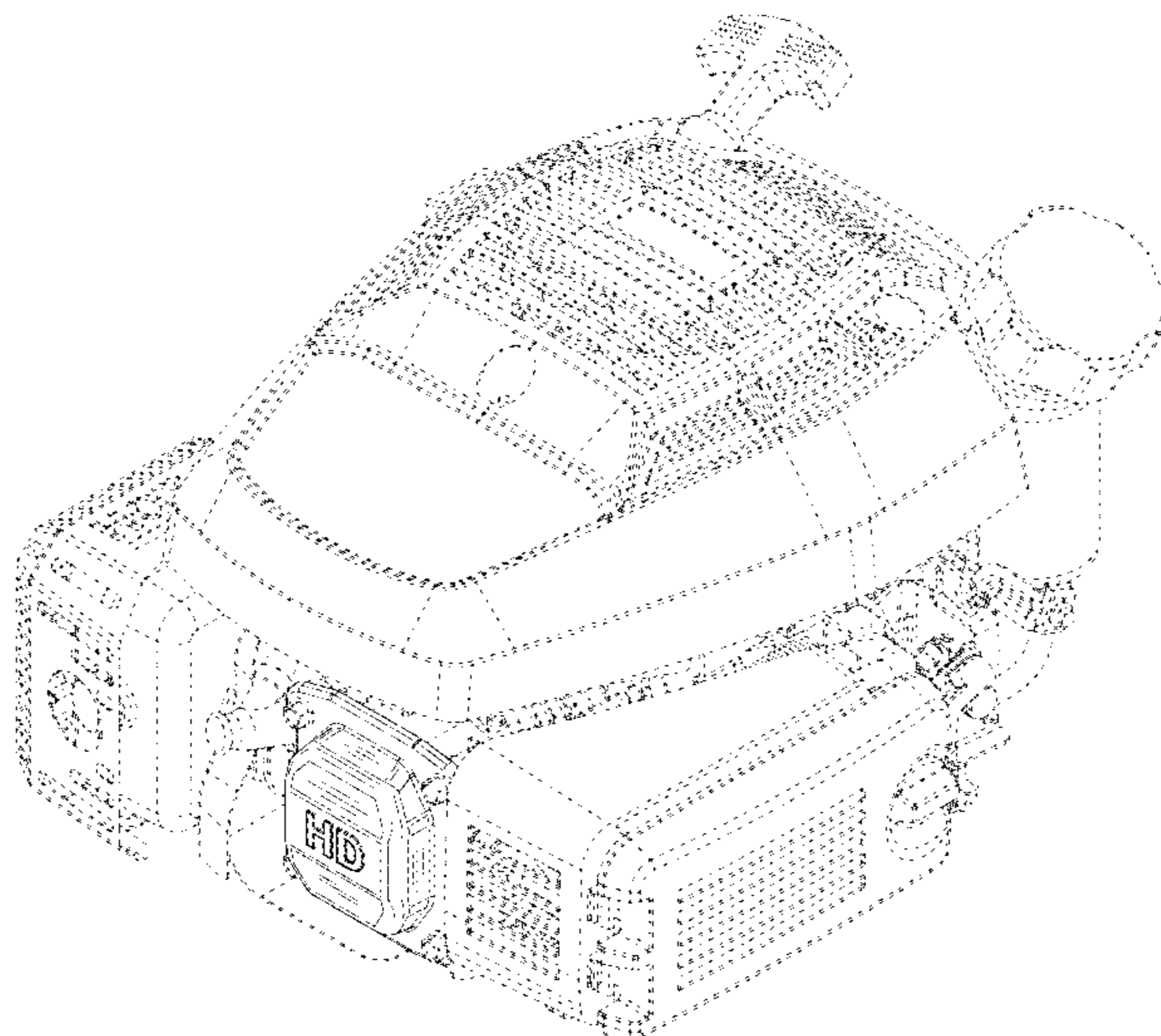
(58) **Field of Classification Search**

USPC ..... D15/1-6, 14, 9.1, 12, 17, 28, 149;  
123/22.41, 34, 51 A, 606 R, 52.1, 50 A,  
123/50 B, 54.1, 54.2, 54.4, 54.5, 65 R,  
123/195 R, 195 HC, 657, 311; D18/24,  
D18/30

CPC ..... F02B 2075/027; F02B 2075/1816; F02B  
2075/025; F02B 2075/1808; F02B 75/20;  
F02B 75/22; F02B 2275/18; F02B  
2275/20; F02B 77/13; F02B 77/00; F02B  
63/04

See application file for complete search history.

**1 Claim, 14 Drawing Sheets**



(56)

**References Cited**

## U.S. PATENT DOCUMENTS

D615,557	S	5/2010	Mayer et al.
D655,310	S	3/2012	Tiefenthaler et al.
D665,426	S	8/2012	Tiefenthaler
D667,464	S	9/2012	Tiefenthaler
D687,709	S	8/2013	Taylor
D692,049	S	10/2013	Masamoto
8,746,485	B1	6/2014	Tiefenthaler
D721,423	S	1/2015	Jacques et al.
D733,186	S	6/2015	Bink et al.
D733,187	S	6/2015	Bink et al.
D733,762	S	7/2015	Bink et al.
D735,762	S	8/2015	Andren et al.
D735,763	S	8/2015	Andren et al.
D735,764	S	8/2015	Andren et al.
D735,765	S	8/2015	Andren et al.
D735,767	S	8/2015	Andren et al.
D735,768	S	8/2015	Andren et al.
D736,264	S	8/2015	Andren et al.
D742,922	S	11/2015	Andren et al.
D742,923	S	11/2015	Andren et al.
D742,924	S	11/2015	Andren et al.
D784,413	S	4/2017	Thorn et al.
D787,558	S	5/2017	Thorn et al.
D795,298	S	8/2017	Hanna et al.
2006/0124644	A1	6/2006	Dehn
2010/0089919	A1	4/2010	Dunkle et al.

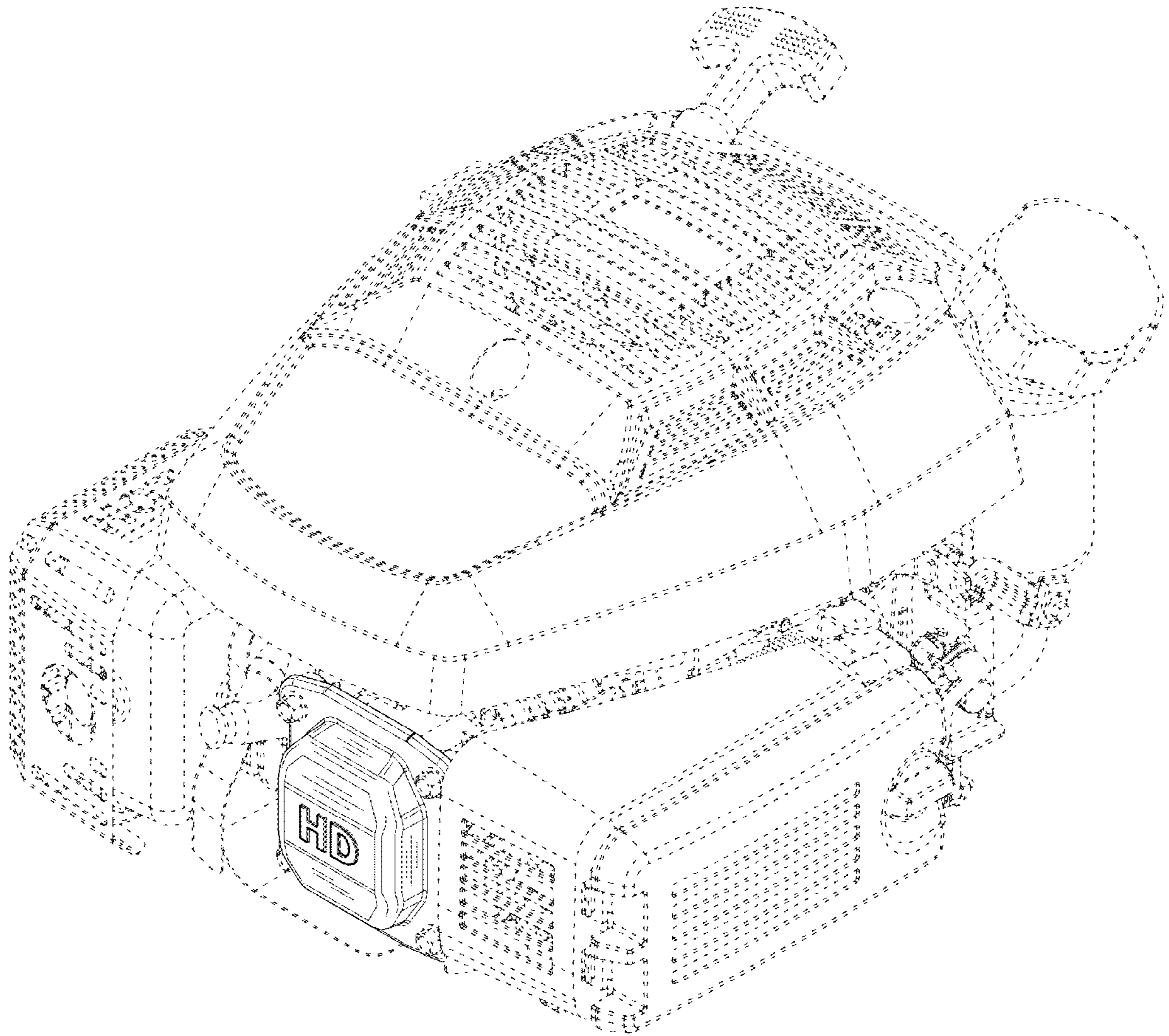


FIG. 1



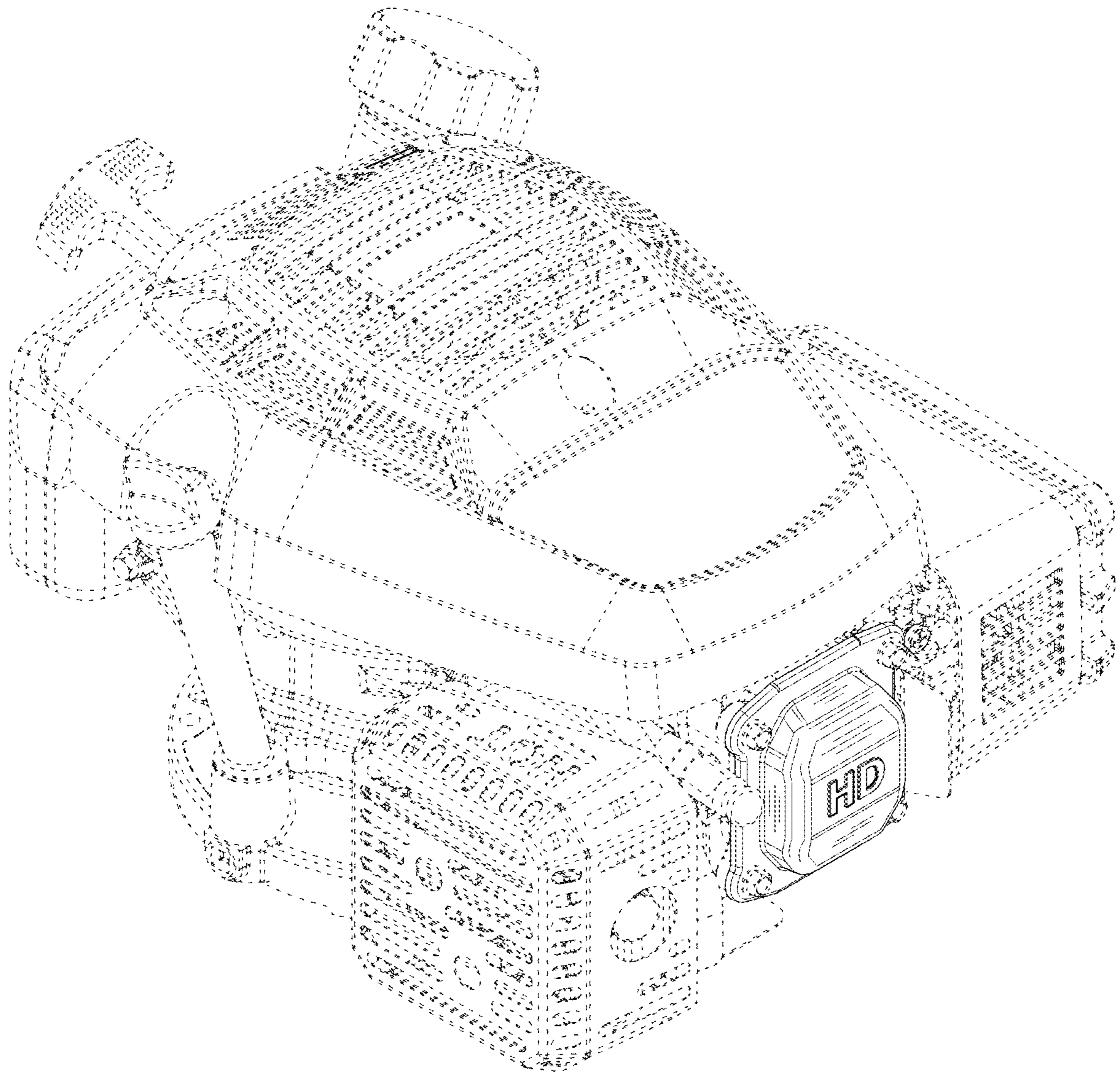


FIG. 2

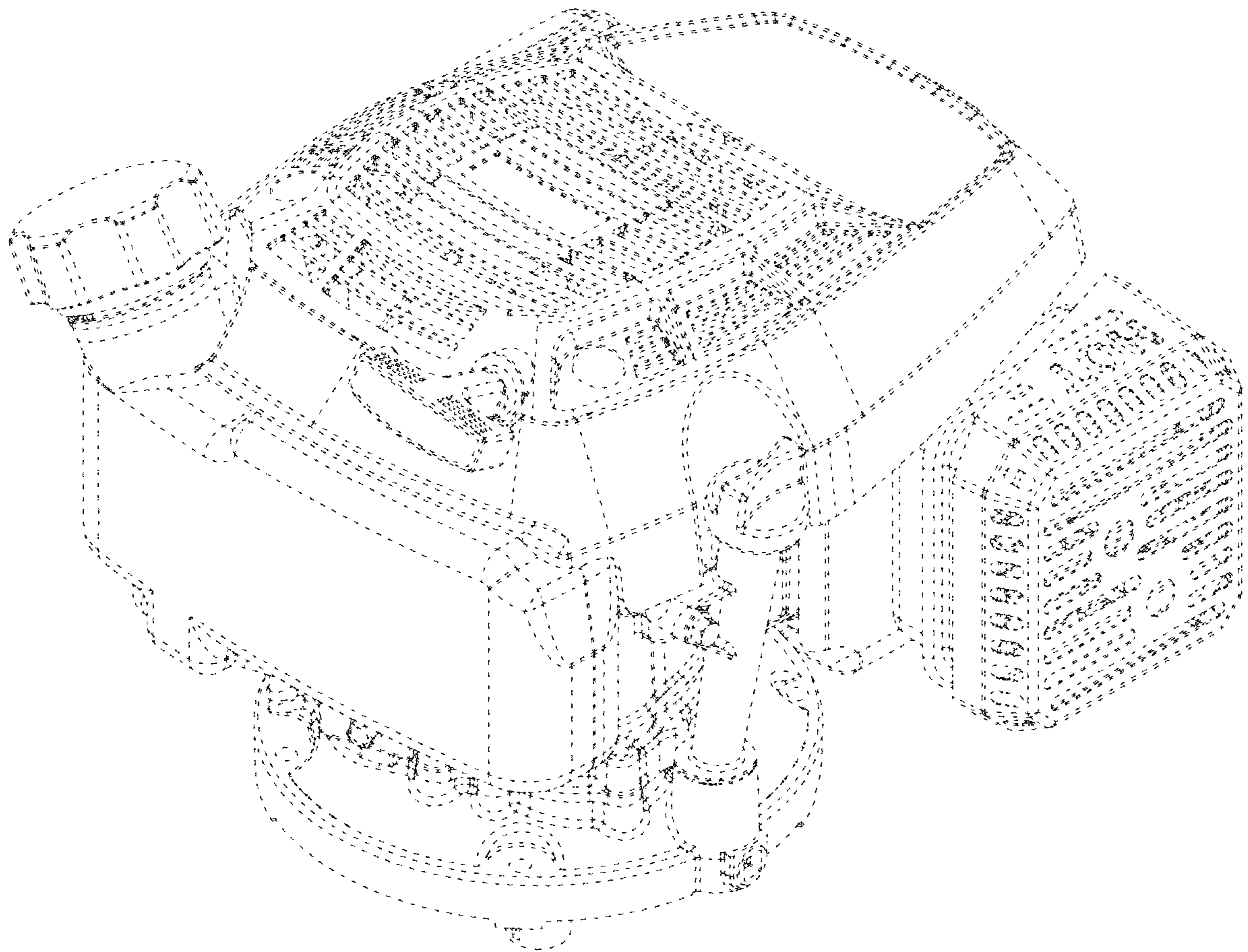


FIG. 3

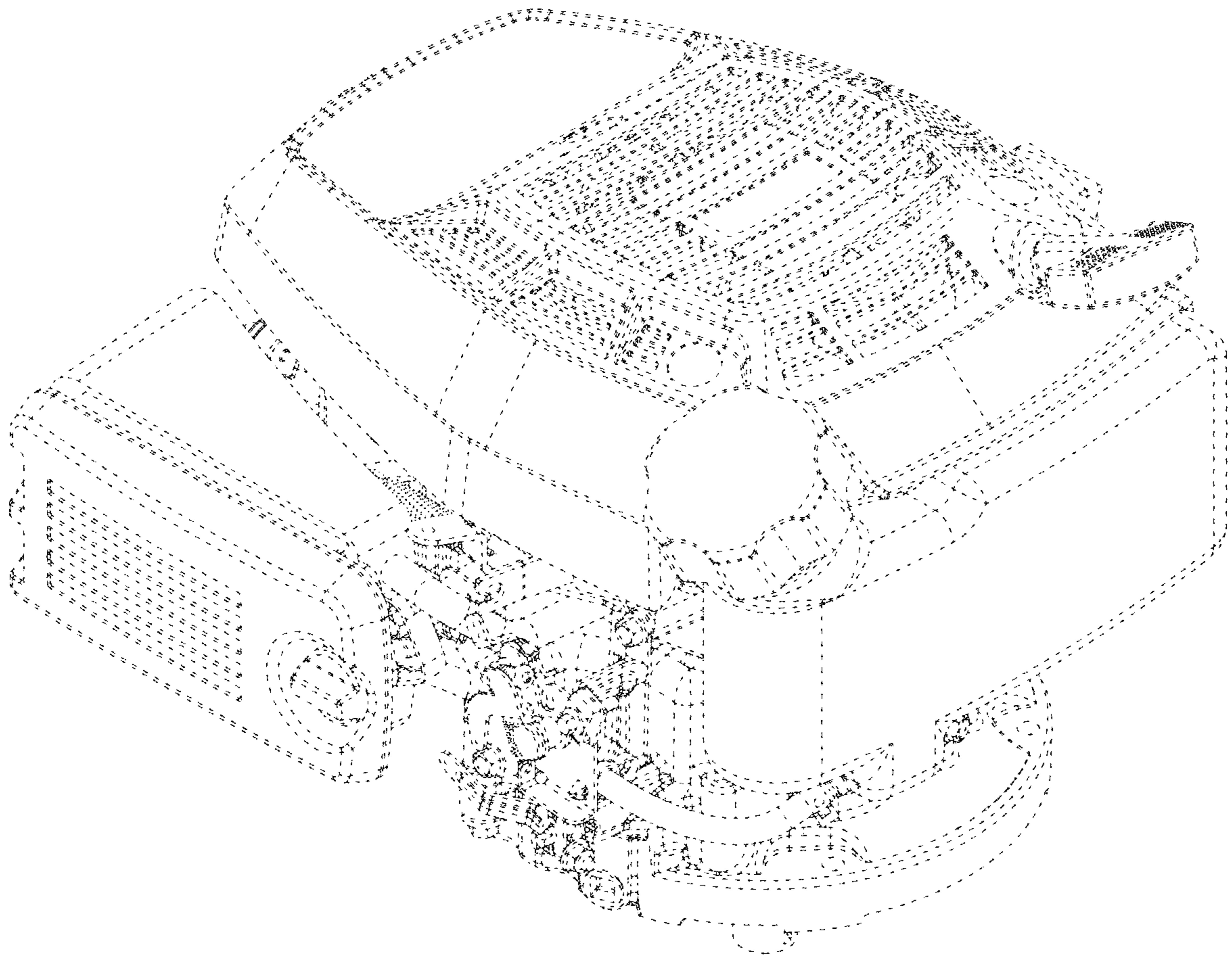


FIG. 4



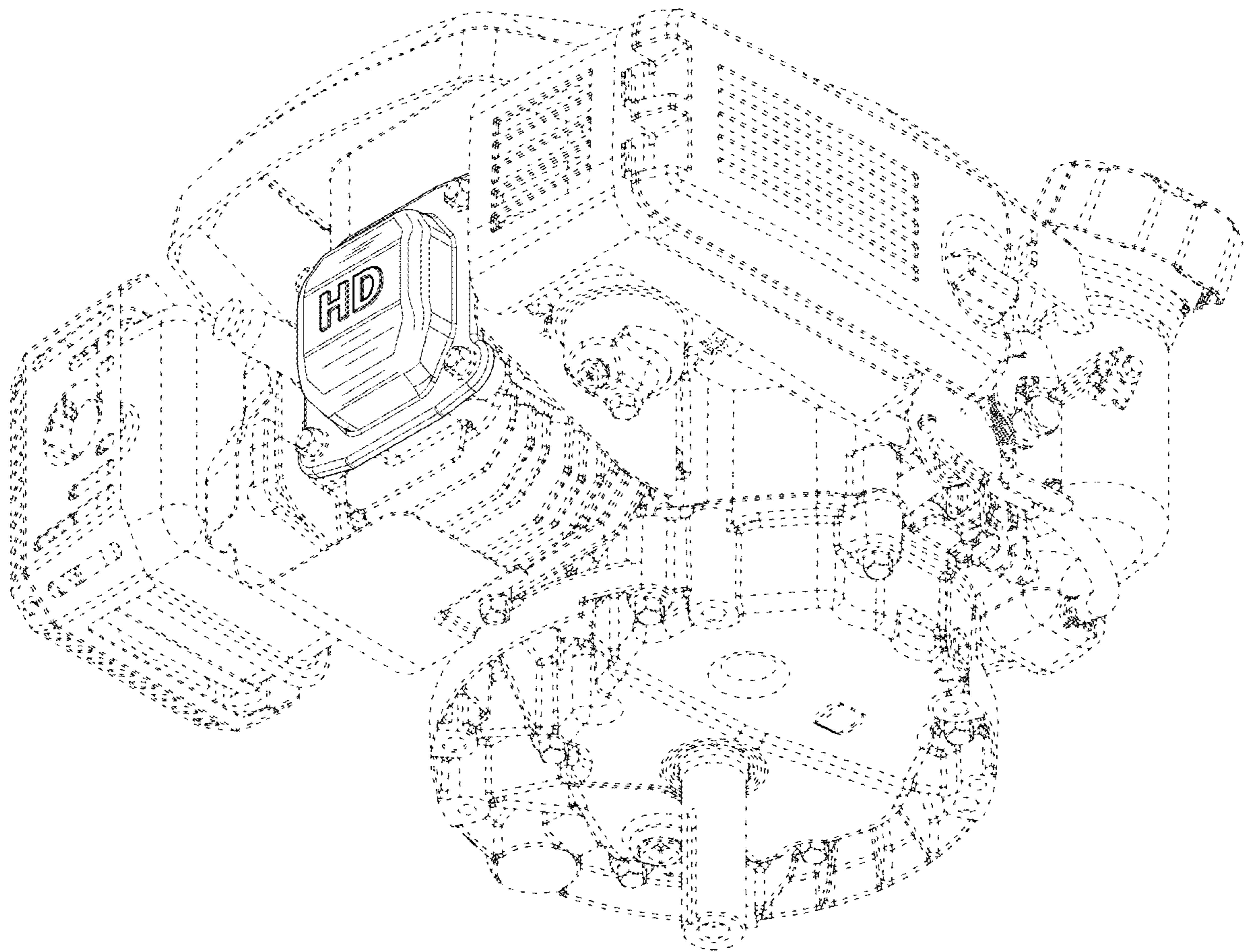


FIG. 5

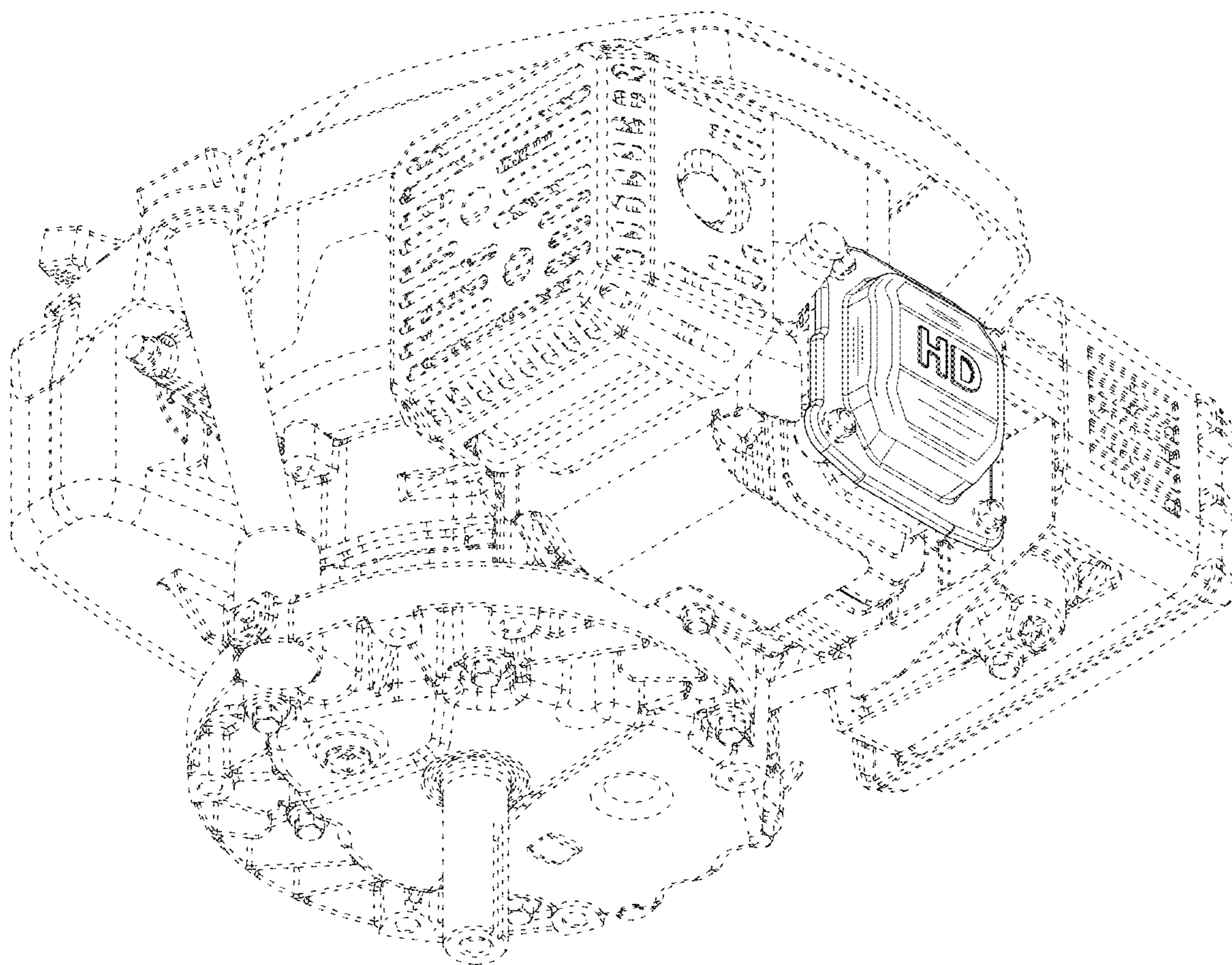


FIG. 6



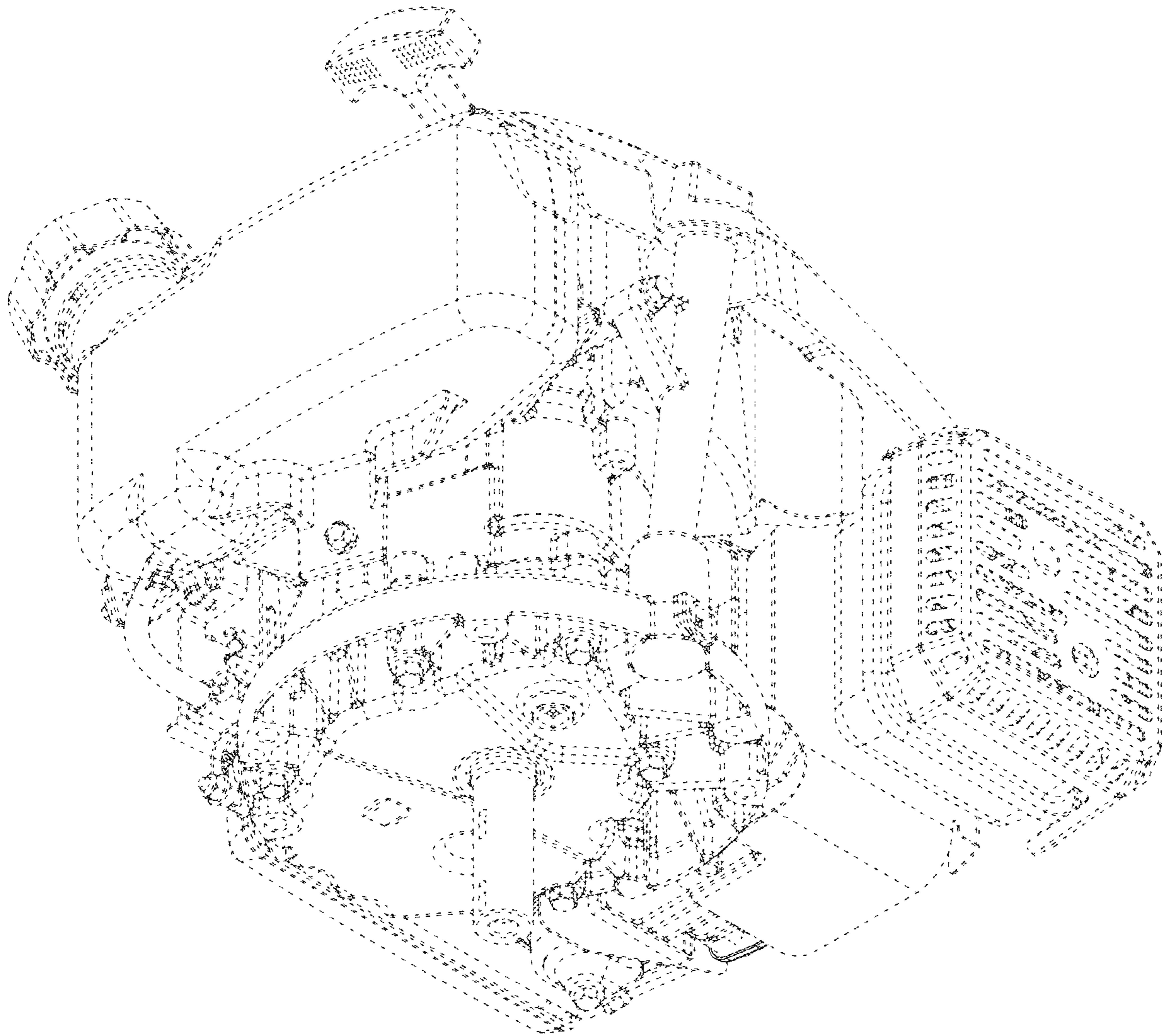


FIG. 7

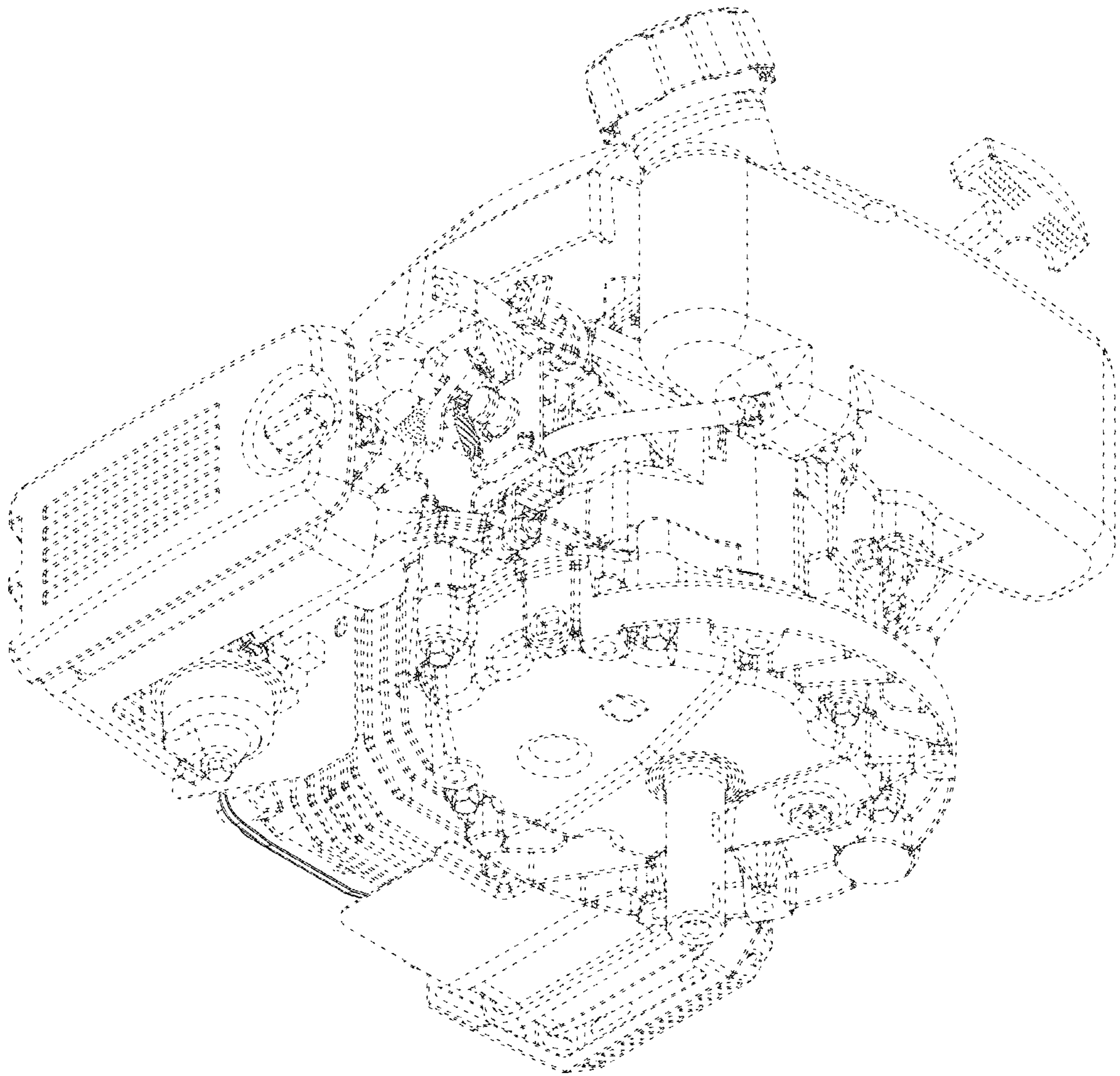


FIG. 8

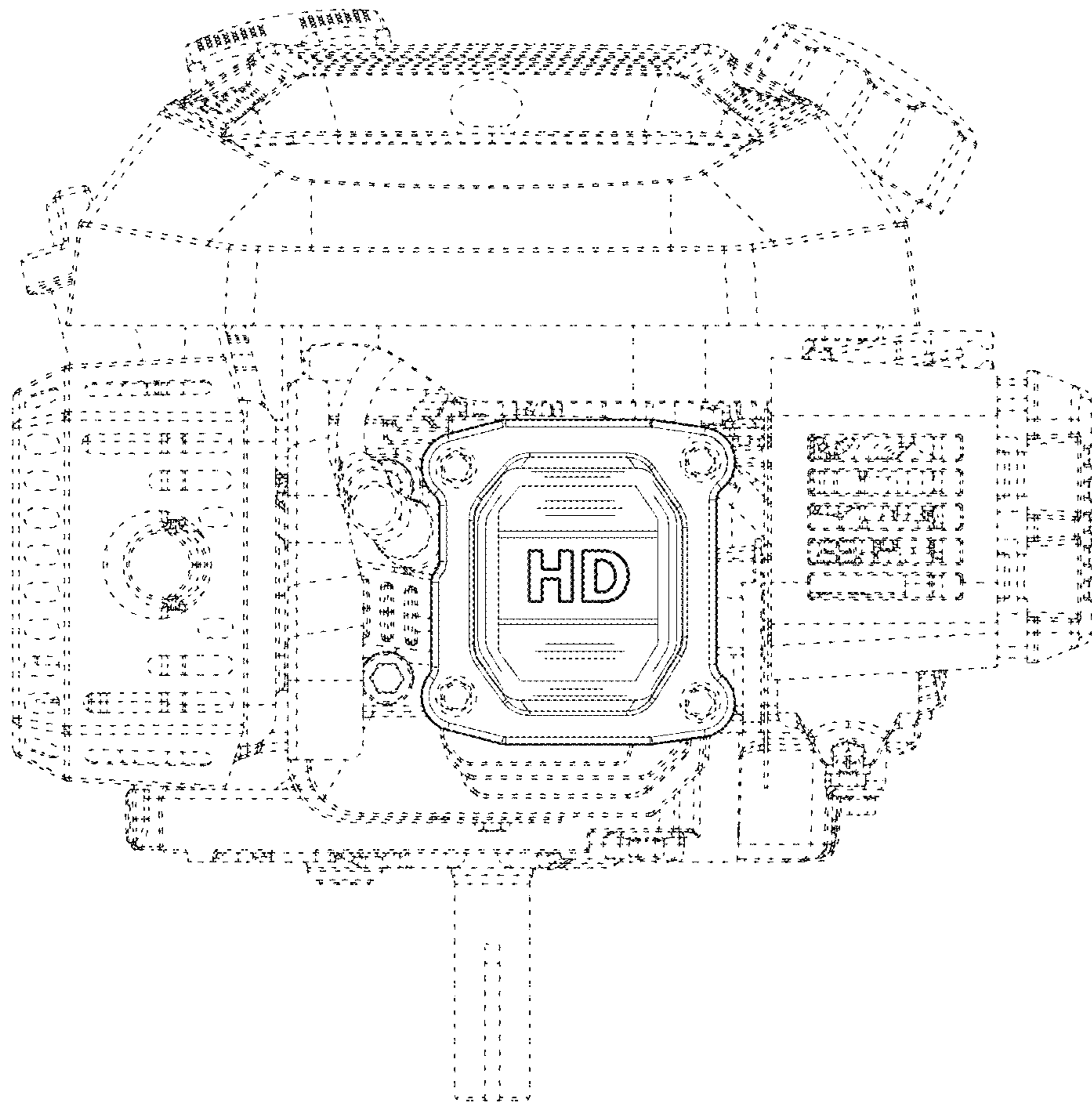


FIG. 9



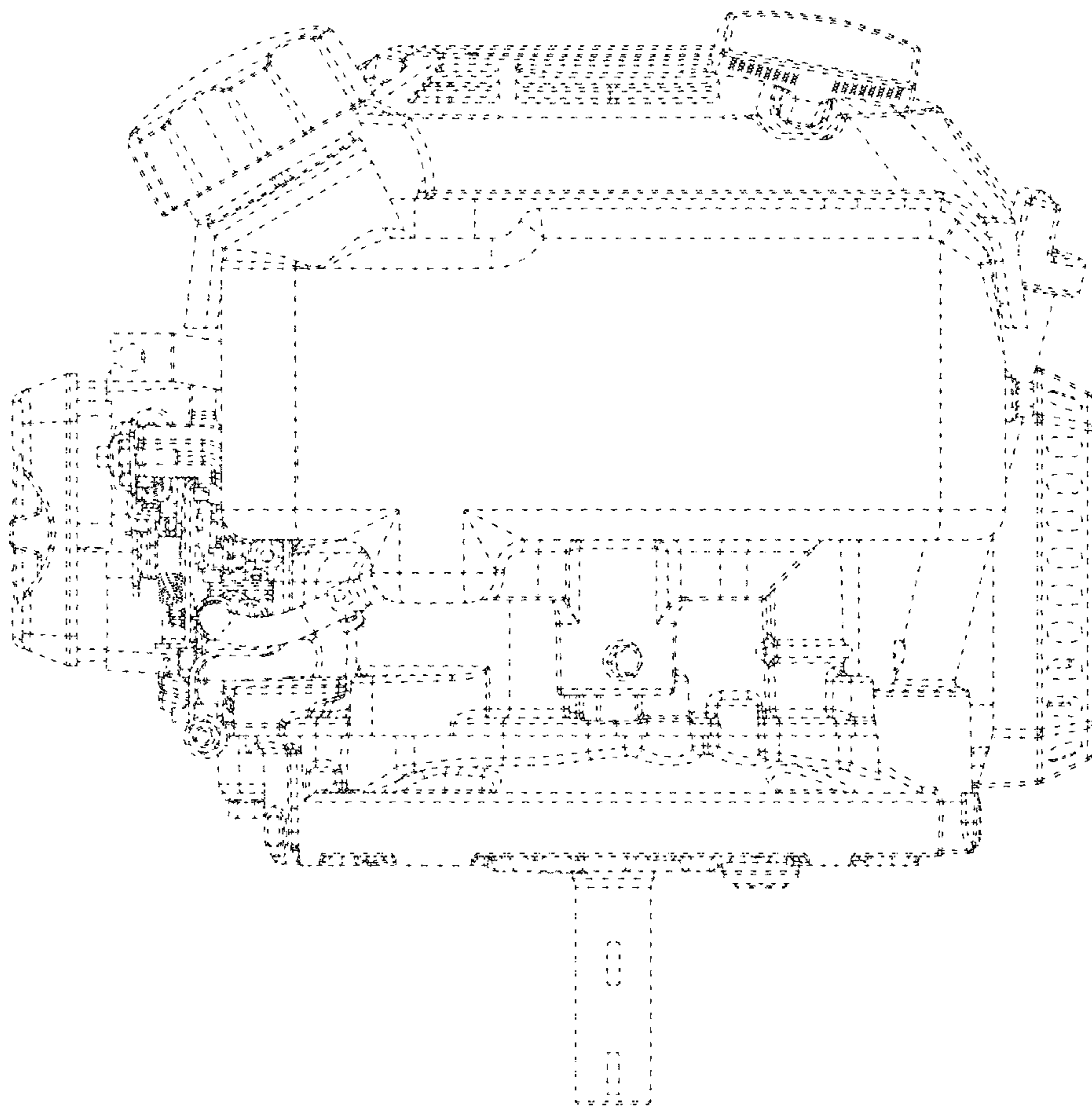


FIG. 10

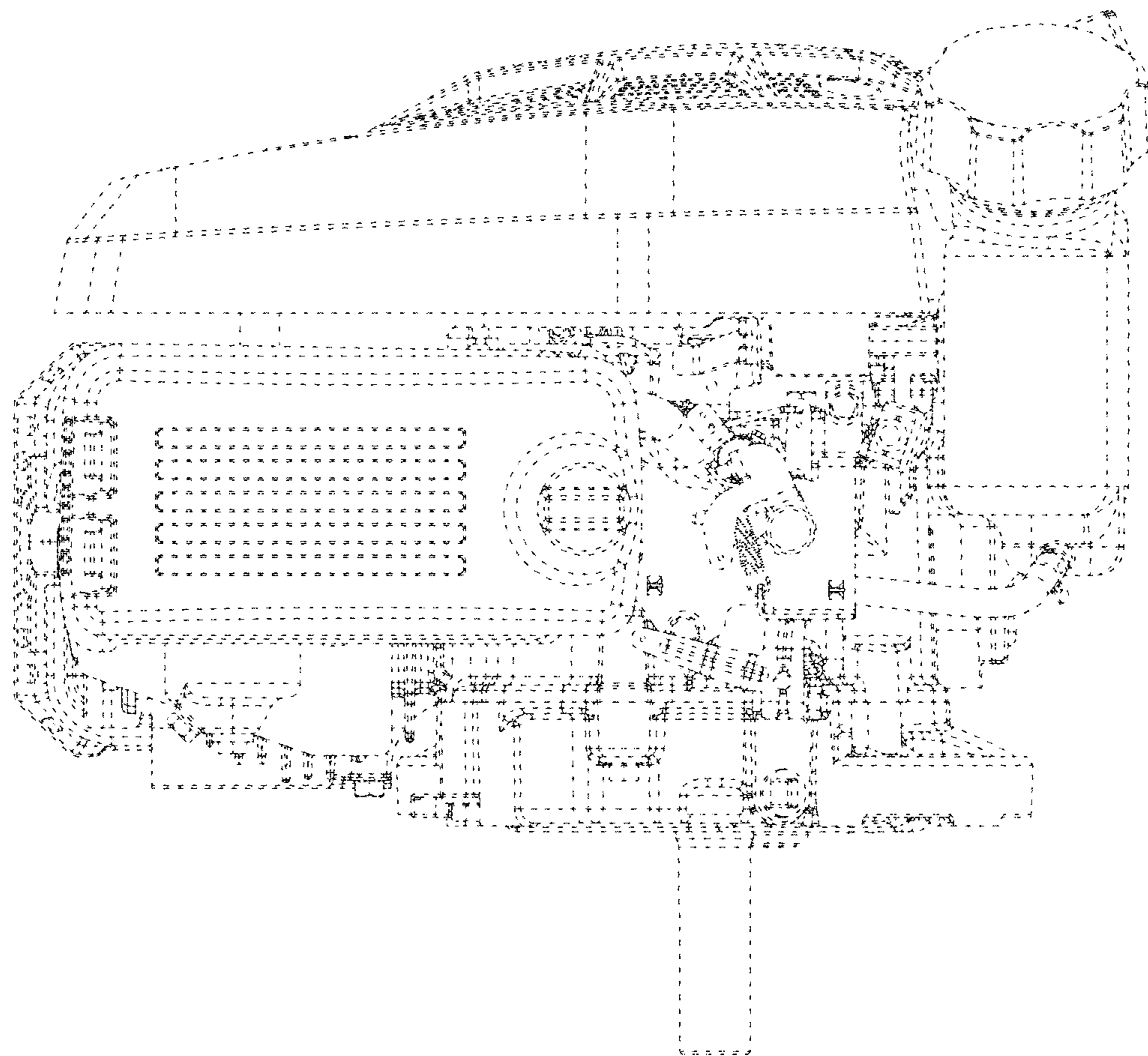


FIG. 11

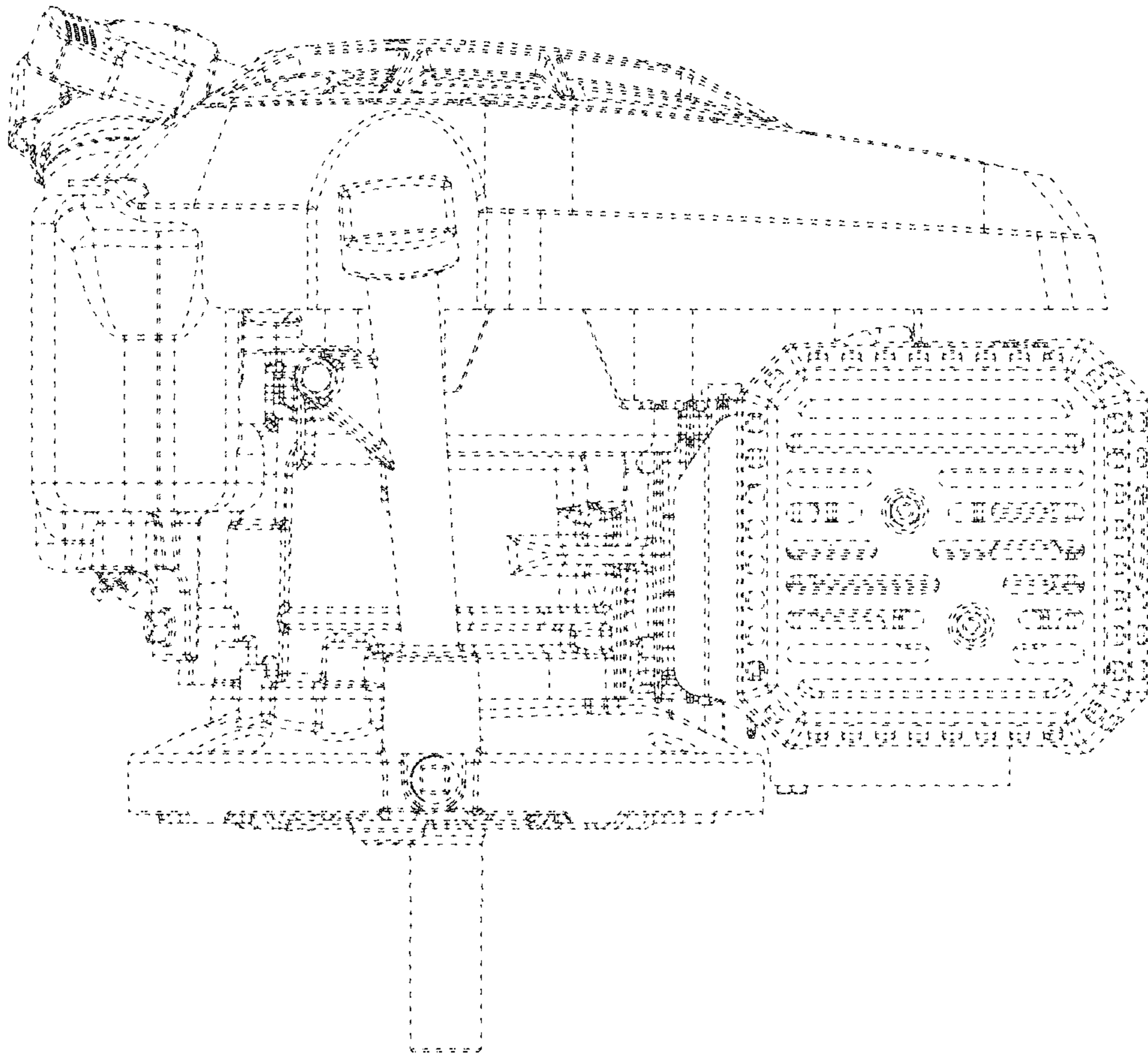


FIG. 12



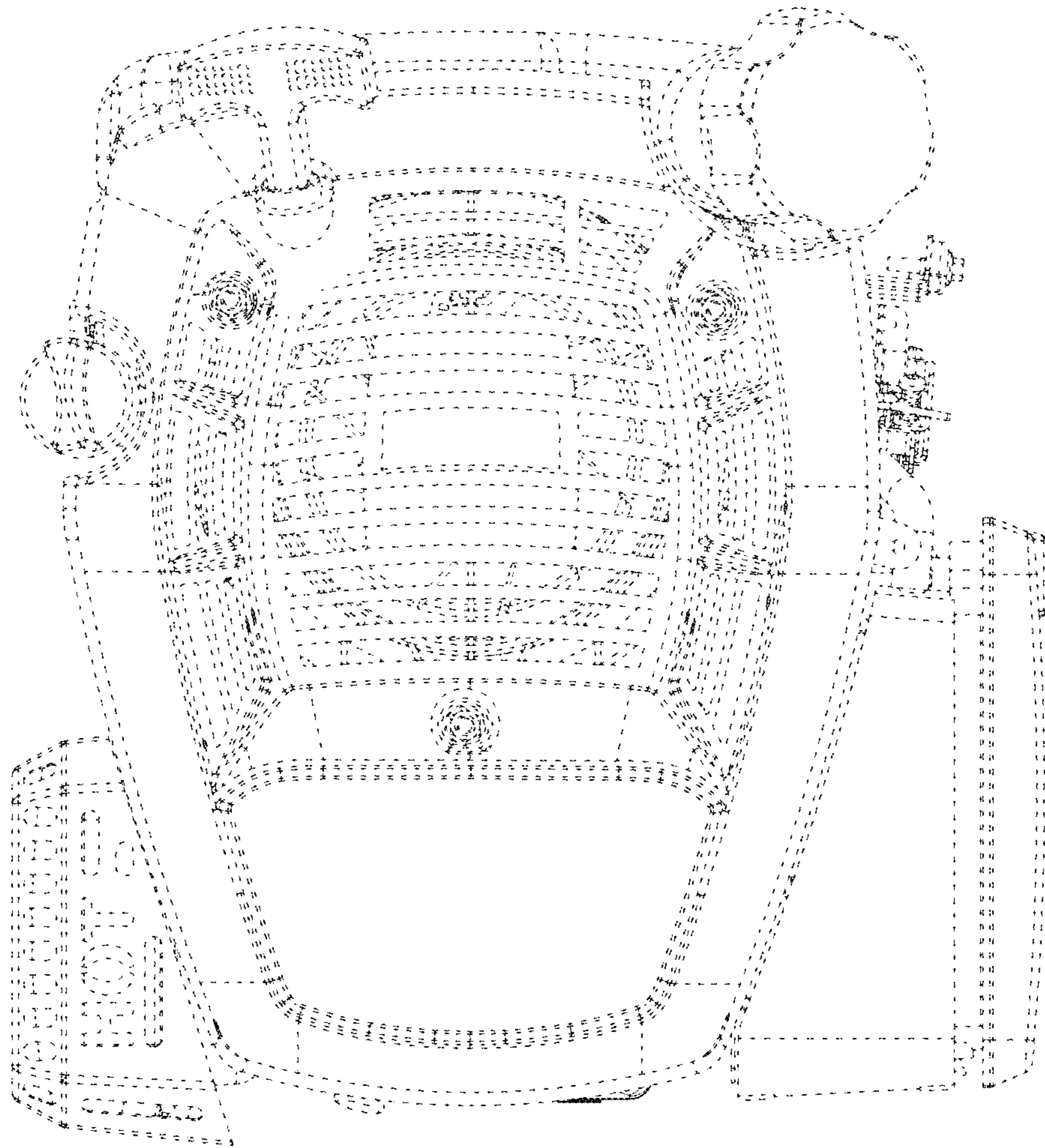


FIG. 13

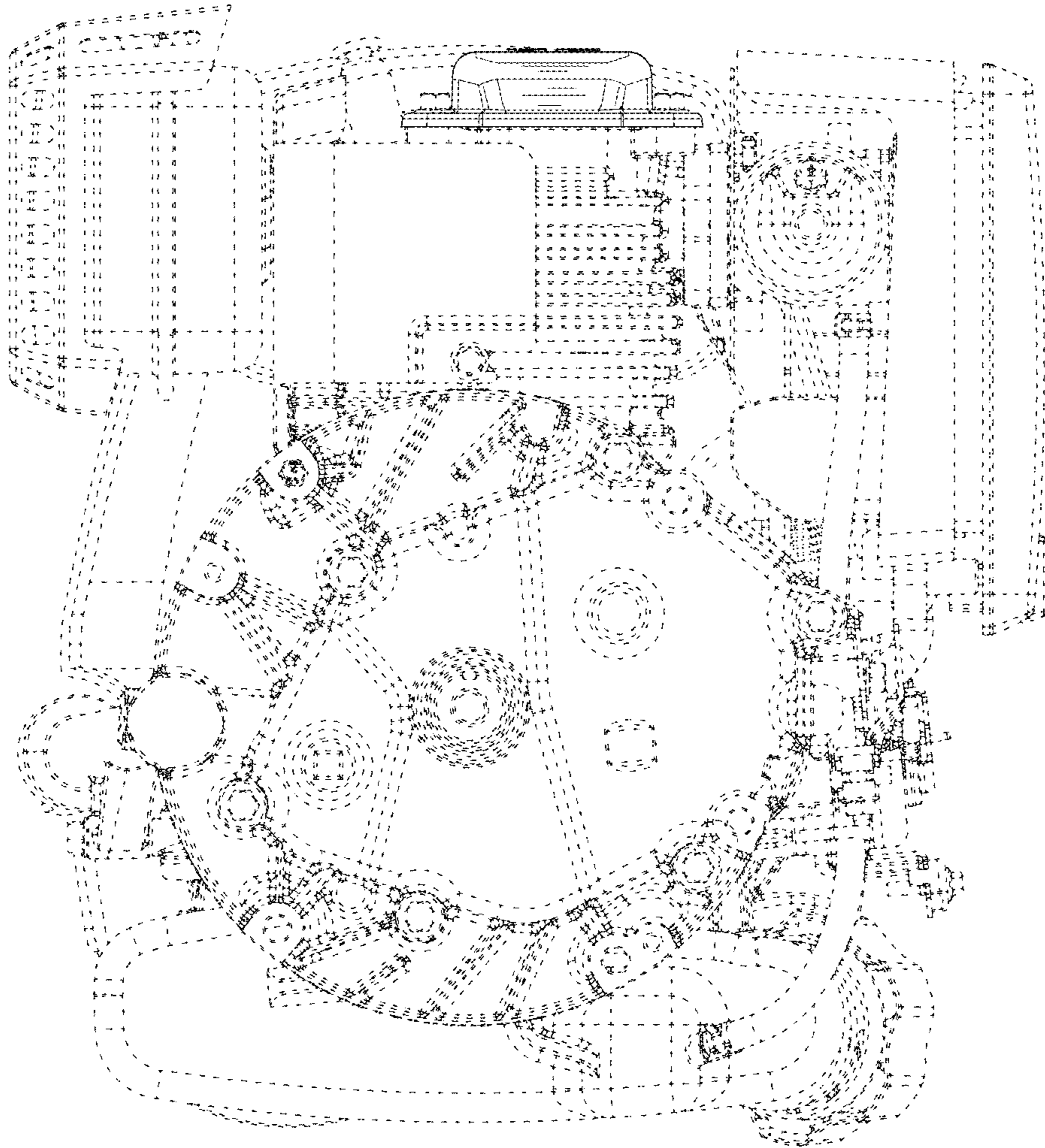


FIG. 14