



US00D938994S

(12) **United States Design Patent** (10) **Patent No.:** **US D938,994 S**  
**Bell et al.** (45) **Date of Patent:** **\*\* Dec. 21, 2021**

(54) **ELECTRONIC FUEL INJECTION THROTTLE BODY**  
(71) Applicant: **Holley Performance Products, Inc.**,  
Bowling Green, KY (US)

4,294,282 A 10/1981 McCabe et al.  
4,306,441 A 12/1981 Dodson  
4,318,214 A 3/1982 Dodson  
4,325,339 A 4/1982 Bier et al.  
4,357,283 A 11/1982 Manning  
(Continued)

(72) Inventors: **Robert M. Bell**, Bowling Green, KY  
(US); **Matthew Lunsford**, Bowling  
Green, KY (US); **William Kangas**,  
Bowling Green, KY (US)

**FOREIGN PATENT DOCUMENTS**

AU 339157 10/2011  
AU 341133 2/2012  
(Continued)

(73) Assignee: **Holley Performance Products, Inc.**,  
Bowling Green, KY (US)

**OTHER PUBLICATIONS**

(\*\*) Term: **15 Years**

U.S. Appl. No. 29/628,392 entitled "EFI Throttle Body" filed Dec.  
4, 2017.

(21) Appl. No.: **29/726,081**

(Continued)

(22) Filed: **Feb. 28, 2020**

*Primary Examiner* — Ania Aman  
(74) *Attorney, Agent, or Firm* — Middleton Reutlinger

**Related U.S. Application Data**

(62) Division of application No. 29/707,397, filed on Sep.  
27, 2019.

(51) **LOC (13) Cl.** ..... **15-01**

(52) **U.S. Cl.**  
USPC ..... **D15/5**

(58) **Field of Classification Search**  
USPC ..... D15/1-6  
CPC .... F02M 69/52; F02M 69/043; F02M 69/462;  
F02M 69/54; F02M 63/0056; F02M  
63/02; F02M 51/005; F02M 51/02; F02M  
69/04; F02D 9/1035; F02D 9/105; F02D  
11/10

See application file for complete search history.

(56) **References Cited**

**U.S. PATENT DOCUMENTS**

4,224,908 A 9/1980 Bier et al.  
4,230,645 A 10/1980 Dodson  
4,246,875 A 1/1981 Bier et al.

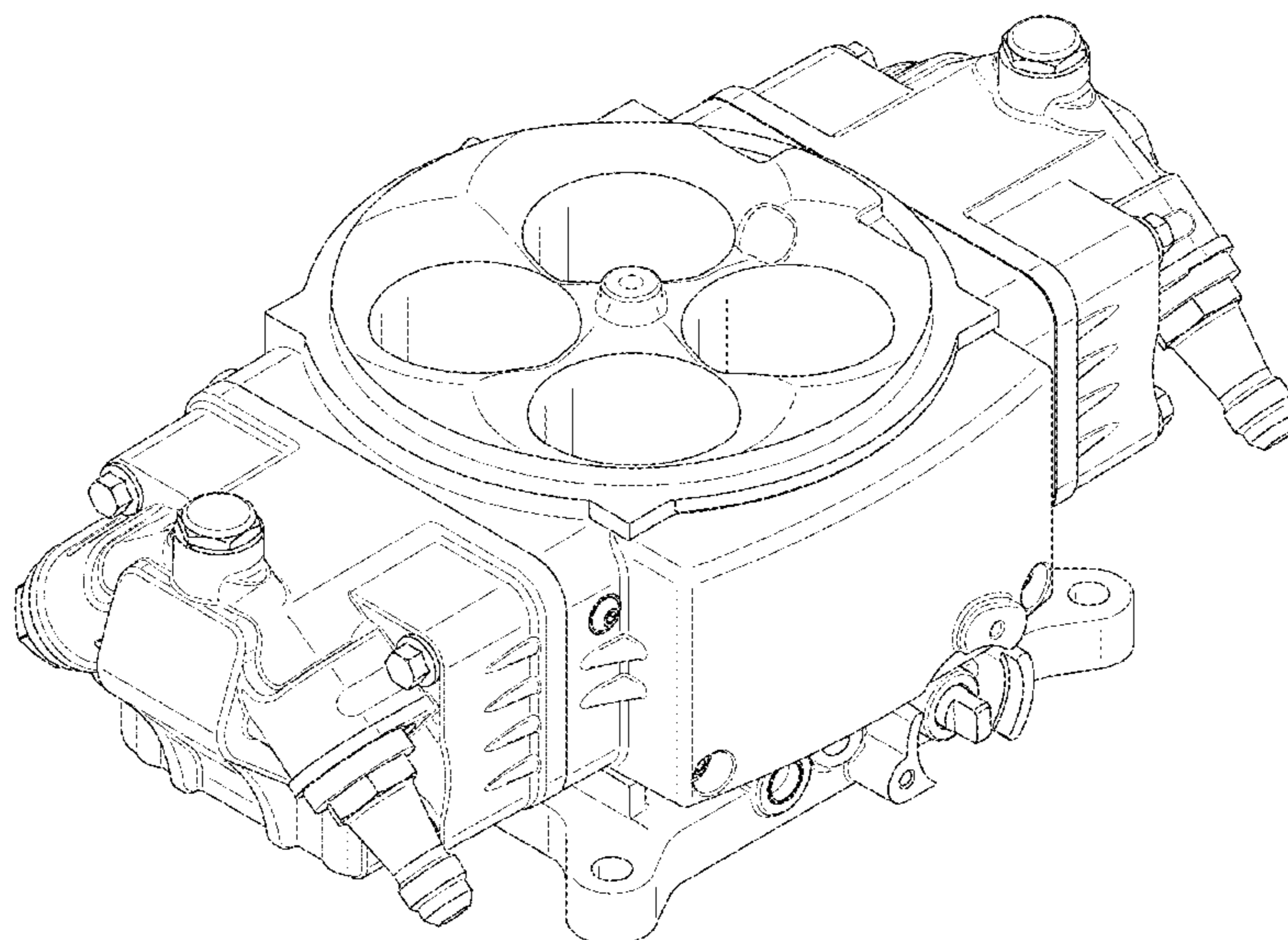
(57) **CLAIM**

The ornamental design for an electronic fuel injection  
throttle body, as shown and described.

**DESCRIPTION**

FIG. 1 is an upper perspective view of an electronic fuel  
injection throttle body design;  
FIG. 2 is a top view of the design of FIG. 1;  
FIG. 3 is a bottom view of the design of FIG. 1;  
FIG. 4 is a first side view of the design of FIG. 1;  
FIG. 5 is a second side view of the design of FIG. 1;  
FIG. 6 is a front view of the design of FIG. 1;  
FIG. 7 is a rear view of the design of FIG. 1; and,  
FIG. 8 is a lower perspective view of the design of FIG. 1.  
The broken lines shown in the drawings are included for the  
purpose of illustrating the unclaimed boundary and/or  
unclaimed portions of the electronic fuel injection throttle  
body. The broken lines form no part of the claimed design.

**1 Claim, 8 Drawing Sheets**



(56)

References Cited

U.S. PATENT DOCUMENTS

4,434,762	A	3/1984	McCabe	
4,434,763	A	3/1984	McCabe et al.	
4,556,032	A	12/1985	Miller	
4,949,983	A	8/1990	Miller	
5,261,382	A	11/1993	Nikolai	
D447,147	S	8/2001	Grant	
6,286,817	B1 *	9/2001	Grant	F02M 5/12 116/276
6,481,698	B1	11/2002	Calvin et al.	
D508,496	S	8/2005	Grant	
D543,555	S	5/2007	Braswell et al.	
D555,668	S	11/2007	Benoit	
D578,550	S	10/2008	Benoit	
7,533,661	B2	5/2009	Baasch	
7,591,245	B2	9/2009	Baasch et al.	
D619,621	S *	7/2010	Braswell	D15/6
D645,058	S	9/2011	Benoit	
D648,746	S	11/2011	Tipton et al.	
D655,311	S	3/2012	Gieske et al.	
D659,714	S	5/2012	Gieske et al.	
D721,389	S	1/2015	Gieske et al.	
9,115,671	B2	8/2015	Benoit	
9,303,578	B2	4/2016	Wittkopf et al.	
9,376,997	B1	6/2016	Farrell et al.	
D760,804	S	7/2016	Shehan et al.	
9,482,198	B1	11/2016	Farrell et al.	
9,845,740	B2	12/2017	Wittkopf et al.	
D808,435	S	1/2018	Shehan et al.	
D810,142	S	2/2018	Shehan et al.	
10,012,197	B2	7/2018	Flynn et al.	
D826,280	S	8/2018	Koo et al.	
10,094,353	B2	10/2018	Bennett et al.	
10,294,902	B2	5/2019	Shehan et al.	
10,570,866	B2	2/2020	Flynn et al.	
D877,201	S	3/2020	Shehan et al.	
2005/0082694	A1 *	4/2005	Grant	F02D 9/1055 261/63
2007/0013086	A1 *	1/2007	Cooper	F02M 5/12 261/70
2009/0145406	A1	6/2009	Farrell et al.	
2011/0120413	A1 *	5/2011	Runia	F02D 9/1035 123/337
2013/0298871	A1	11/2013	Bennett et al.	
2014/0123944	A1 *	5/2014	Benoit	F02M 17/34 123/445
2015/0108256	A1	4/2015	Flynn et al.	
2017/0198672	A1	7/2017	Farrell et al.	
2018/0119656	A1	5/2018	Shehan et al.	
2019/0170069	A1	6/2019	Shehan et al.	
2019/0170070	A1	6/2019	Shehan et al.	
2019/0242345	A1	8/2019	Shehan et al.	
2019/0345883	A1	11/2019	Bell et al.	
2019/0345905	A1	11/2019	Whittle	

FOREIGN PATENT DOCUMENTS

AU	348732	5/2013
AU	348733	5/2013
AU	348734	5/2013
AU	356762	8/2014
AU	201710470	2/2017
AU	201710471	2/2017
AU	2013254906	11/2017
AU	201813353	8/2018
AU	201813355	8/2018
AU	201815034	9/2018
AU	201815036	9/2018
AU	201816623	12/2018
AU	201816624	12/2018

AU	202010279	3/2020
CA	2832503	5/2014
CN	101568711	4/2013
EM	003729599	1/2017
WO	2019112961 A1	6/2019
WO	2019112963 A1	6/2019
WO	2019217311 A1	11/2019
WO	2019217436 A1	11/2019

OTHER PUBLICATIONS

Holley Performance Products, Inc., 2017 New & Hot Products Catalogue—Carburetors, Nov. 1, 2016.

U.S. Appl. No. 62/594,526 entitled “Electronic Fuel Injection Throttle Body Assembly” filed Dec. 4, 2017.

Australian Patent Application No. 2017251869 entitled “Electronic Fuel Injection Throttle Body Assembly” filed Oct. 30, 2017.

U.S. Appl. No. 62/594,527 entitled “Electronic Fuel Injection Throttle Body Assembly” filed Dec. 4, 2017.

U.S. Appl. No. 16/404,308, filed May 6, 2019 titled “Electronic Fuel Injection Throttle Body Assembly.”

U.S. Appl. No. 62/669,052 entitled “Electronic Fuel Injection Throttle Body Assembly” filed May 9, 2018.

Wikipedia, Quadrajel, Rochester Products spread bore carburetor introduced in 1964, retrieved from internet on Apr. 16, 2019.

U.S. Appl. No. 16/208,246 entitled “Electronic Fuel Injection Throttle Body Assembly” filed Dec. 3, 2018.

U.S. Appl. No. 29/647,060 entitled “Electronic Fuel Injection Throttle Body” filed May 9, 2018.

U.S. Appl. No. 62/669,094 entitled “Electronic Fuel Injection Throttle Body Assembly” filed May 9, 2018.

U.S. Appl. No. 62/726,723 entitled “Electronic Fuel Injection Throttle Body Assembly” filed Sep. 4, 2018.

Mopar Performance P5249686 Jeep MPI-Fuel, Sep. 2, 2016.

Howell EFI Fuel Injection Conversion Kit, JP258, Apr. 29, 2015.

F.A.S.T. EZ-EFI Self-Tuning Fuel Injection Systems 30294-Kit TBI Conversion Kit, Jun. 30, 2015.

Australian App. No. 202010279 filed Jan. 17, 2020 titled “Electronic Fuel Injection Throttle Body”.

International Search Report and Written Opinion for PCT/US2018/063660 dated Mar. 20, 2019.

International Search Report and Written Opinion for PCT/US2018/063668 dated Mar. 20, 2019.

Canadian Design Patent Application No. 184483 entitled “Electronic Fuel Injection Throttle Body” filed Oct. 31, 2018.

Canadian Design Patent Application No. 184482 entitled “Electronic Fuel Injection Throttle Body” filed Oct. 31, 2018.

Mexican Design Patent Application No. MX/f/2018/003332 entitled “Electronic Fuel Injection Throttle Body” filed Nov. 8, 2018.

Mexican Design Patent Application No. MX/f/2018/003333 entitled “Electronic Fuel Injection Throttle Body” filed Nov. 8, 2018.

U.S. Appl. No. 29/647,068 entitled “Electronic Fuel Injection Throttle Body” filed May 9, 2018.

Design U.S. Appl. No. 29/707,399, filed Sep. 27, 2019 titled “Electronic Fuel Injection Throttle Body”.

Design U.S. Appl. No. 29/718,300, filed Dec. 23, 2019 titled “Electronic Fuel Injection Throttle Body”.

Australian App. No. 202010277 filed Jan. 17, 2020 titled “Electronic Fuel Injection Throttle Body”.

U.S. Appl. No. 29/688,819 entitled “Electronic Fuel Injection Throttle Body” filed Apr. 24, 2019.

U.S. Appl. No. 29/693,670 entitled “Electronic Fuel Injection Throttle Body Assembly” filed Jun. 4, 2019.

U.S. Appl. No. 29/695,154 entitled “EFI Throttle Body Assembly” filed Jun. 17, 2019.

Design U.S. Appl. No. 29/696,092, filed Jun. 25, 2019 titled “Electronic Fuel Injection Throttle Body”.

\* cited by examiner

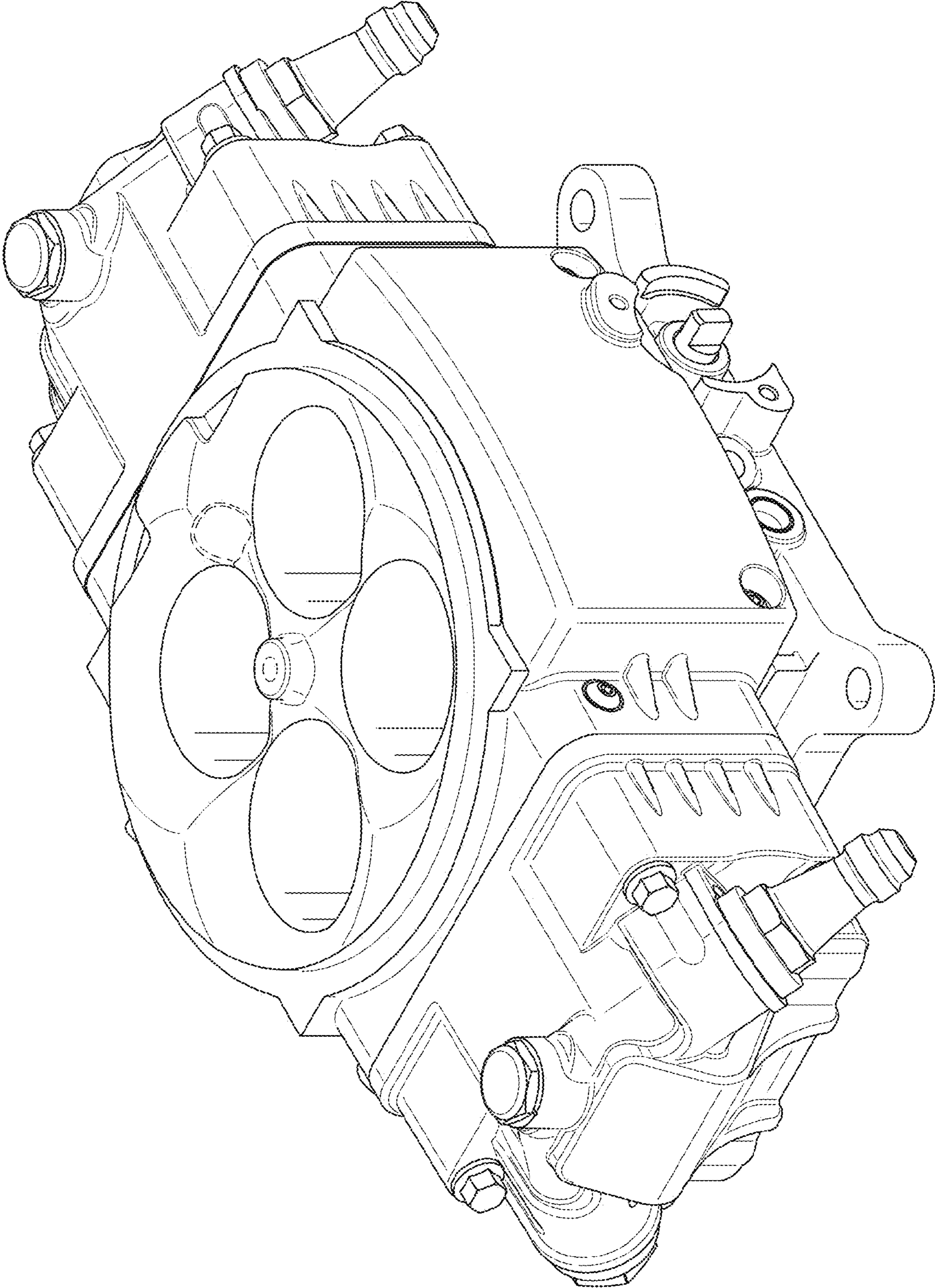


FIG. 1

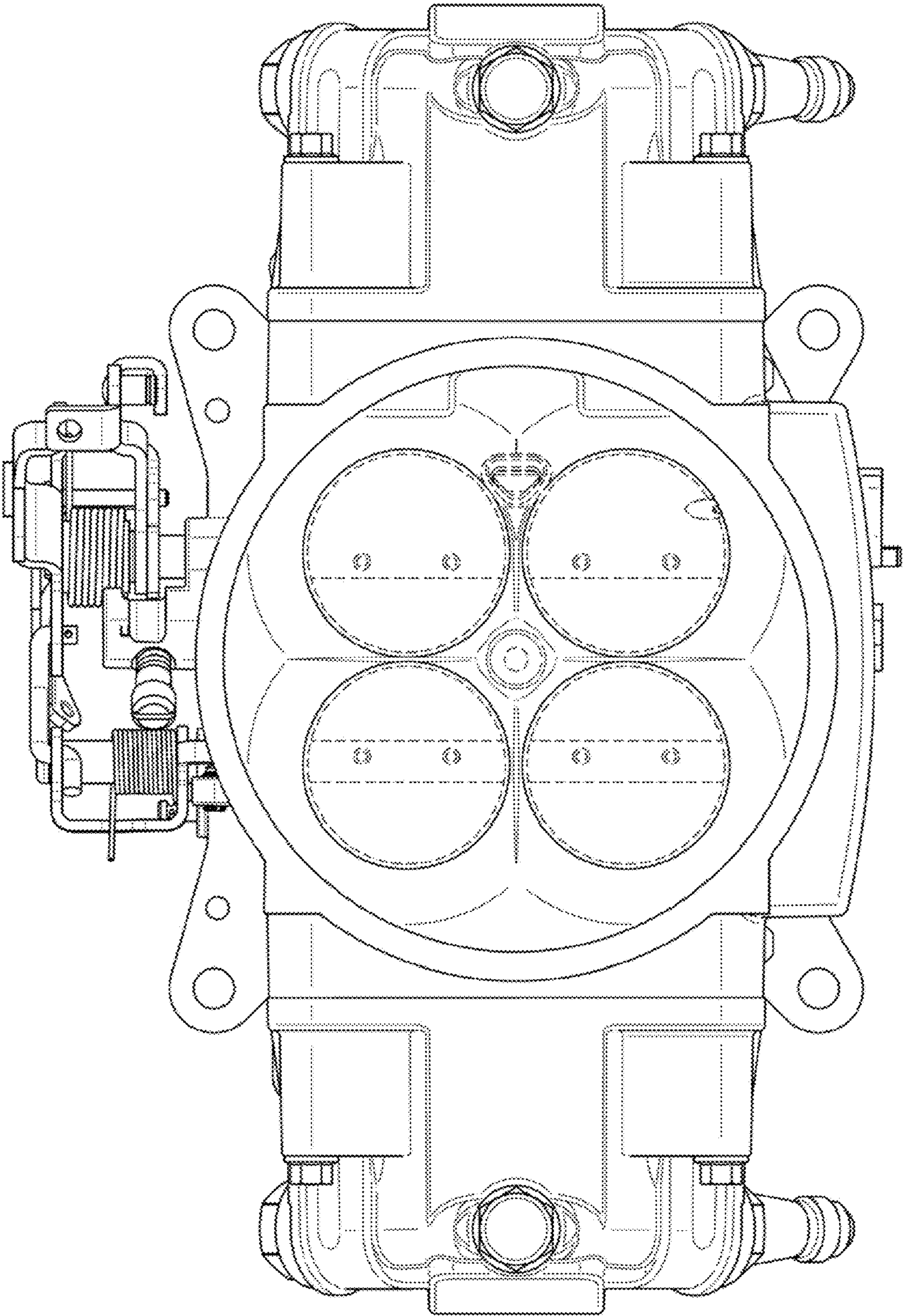


FIG. 2

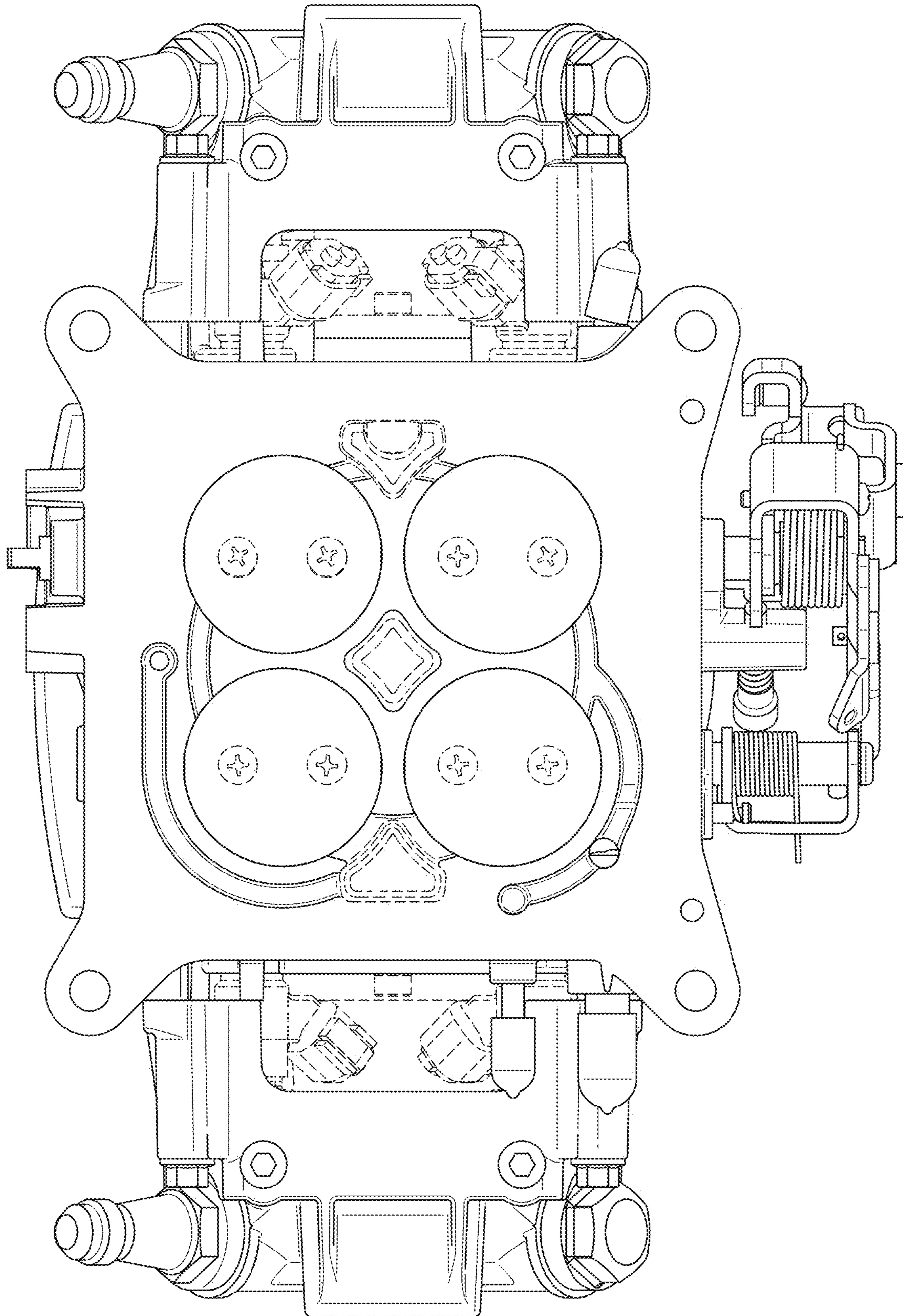


FIG. 3

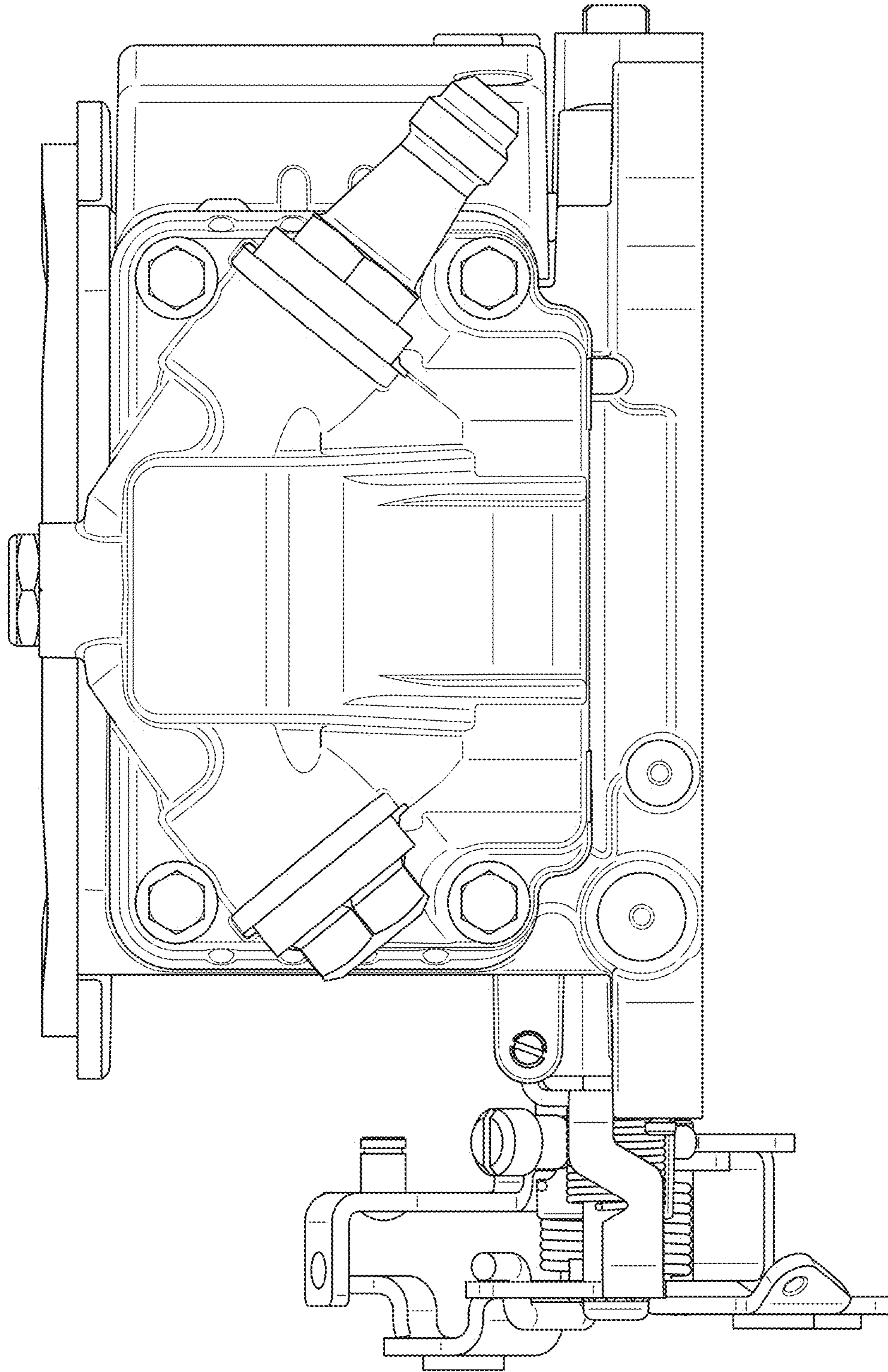


FIG. 4

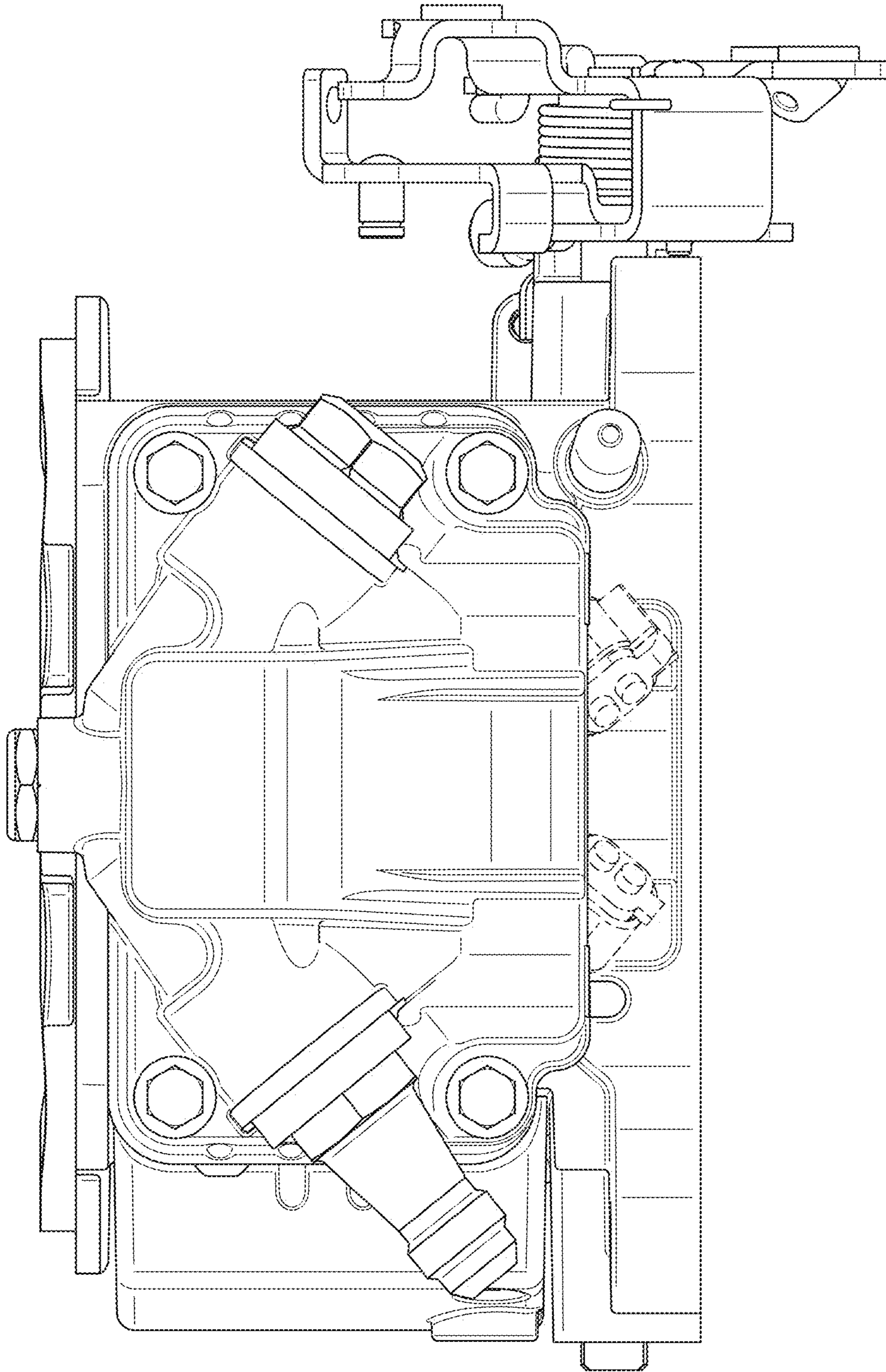


FIG. 5

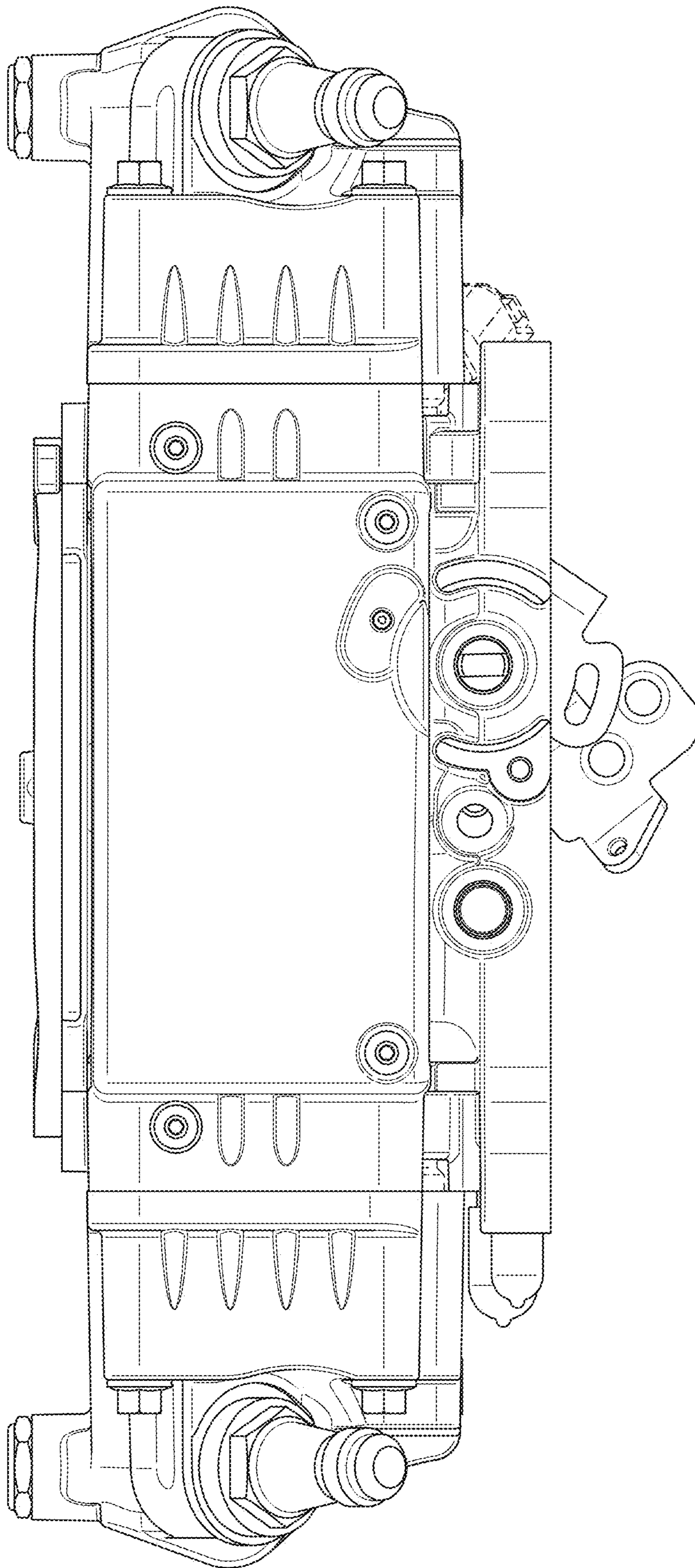


FIG. 6



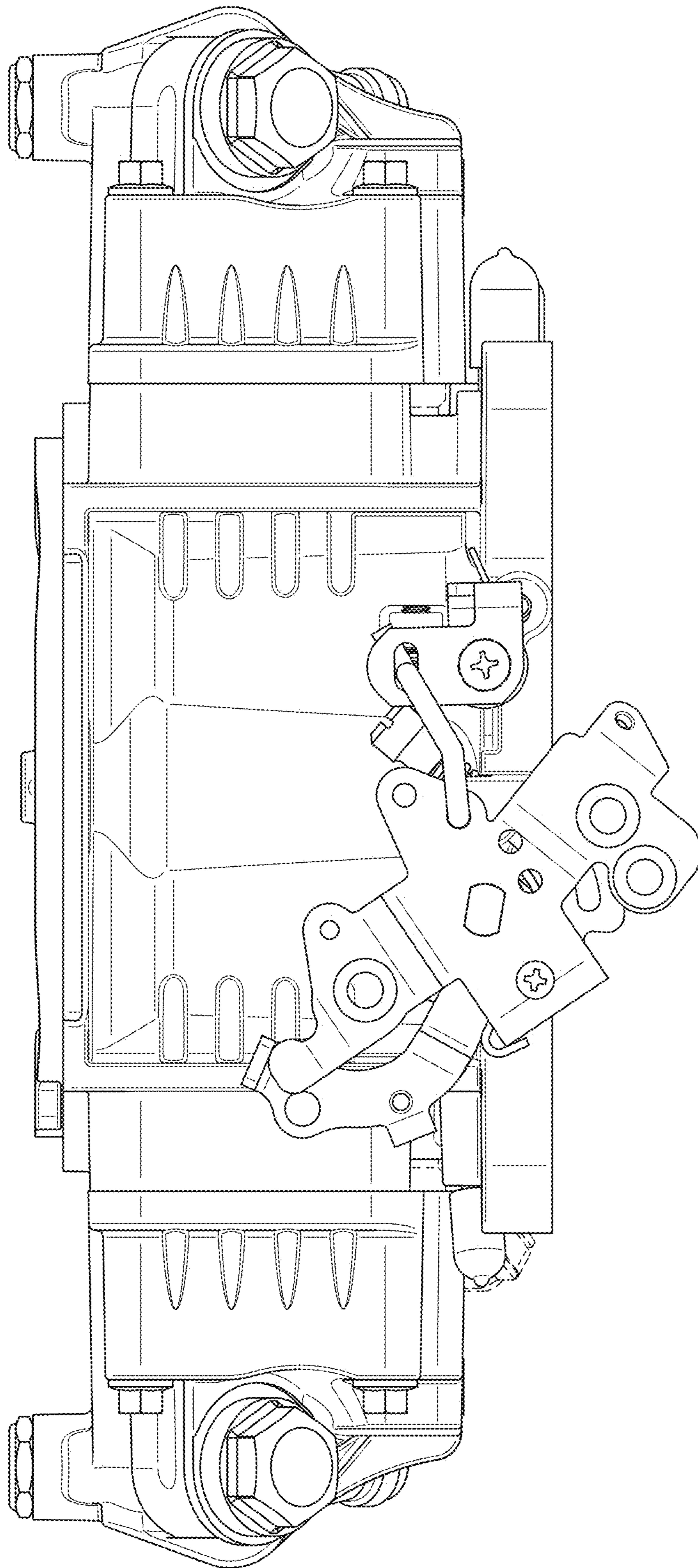


FIG. 7

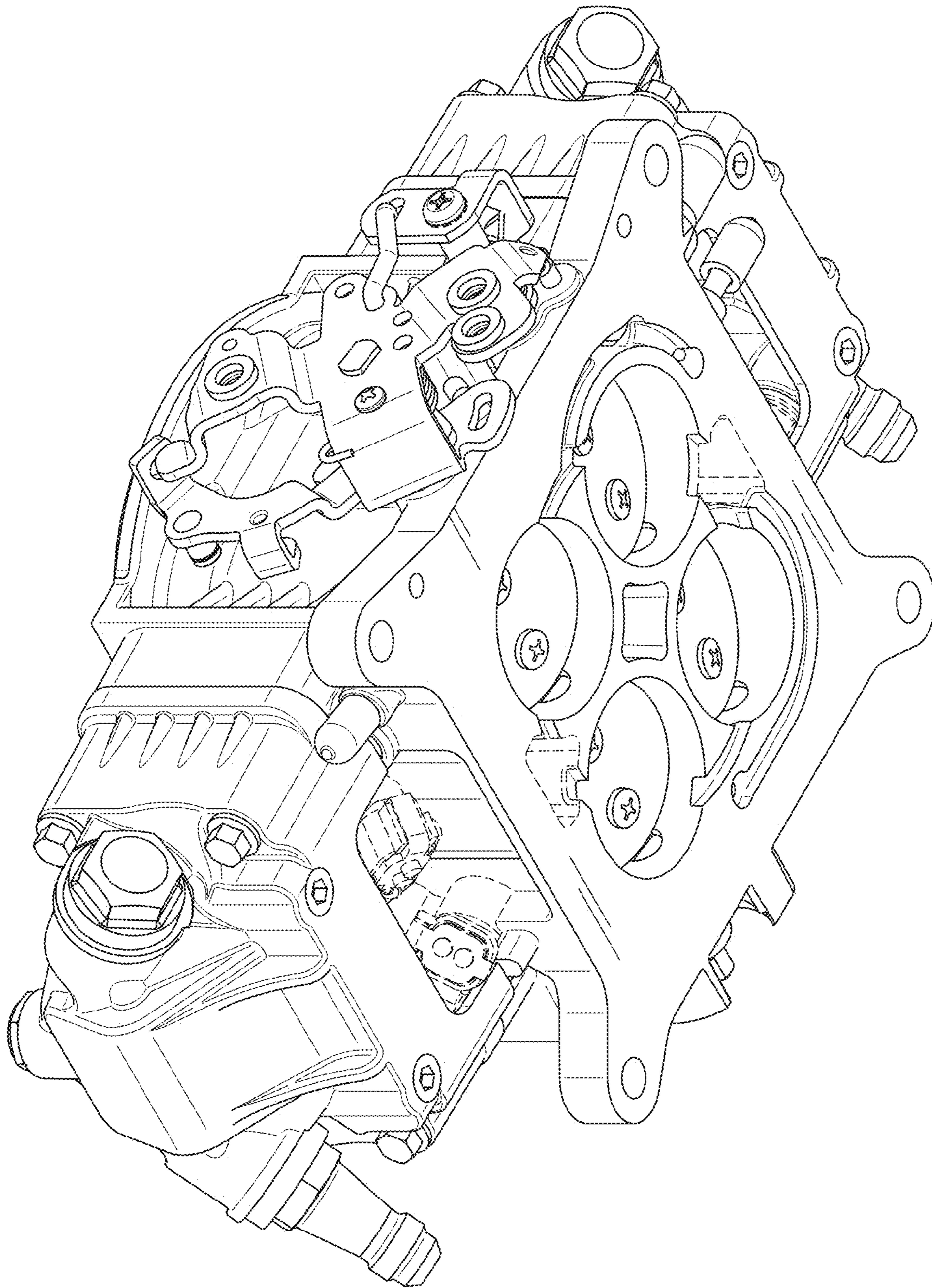


FIG. 8