



US00D938990S

(12) **United States Design Patent** (10) **Patent No.:** **US D938,990 S**  
**Dai et al.** (45) **Date of Patent:** **\*\* Dec. 21, 2021**

(54) **DISPLAY SCREEN OR PORTION THEREOF WITH GRAPHICAL USER INTERFACE**

(71) Applicant: **GUANGDONG OPPO MOBILE TELECOMMUNICATIONS CORP., LTD.**, Guangdong (CN)

(72) Inventors: **Runda Dai**, Guangdong (CN); **Tengjiong Hou**, Guangdong (CN)

(73) Assignee: **GUANGDONG OPPO MOBILE TELECOMMUNICATIONS CORP., LTD.**, Dongguan (CN)

(\*\*) Term: **15 Years**

(21) Appl. No.: **29/755,059**

(22) Filed: **Oct. 16, 2020**

(30) **Foreign Application Priority Data**

Apr. 20, 2020 (CN) ..... 202030161194.X

(51) **LOC (13) Cl.** ..... **14-04**

(52) **U.S. Cl.**  
USPC ..... **D14/492**; D14/490

(58) **Field of Classification Search**  
USPC ..... 345/1.1, 1.2, 2.1-2.3, 3.1, 902;  
D14/485-495  
CPC ..... B60K 37/00; G06F 8/20; G06F  
3/048-04897; G06F 3/013; G06F 3/017;  
G06F 3/165; G06F 16/168; G06F  
16/7335; G06F 2203/014; G06F  
2206/1008; G06F 2209/545; G06F 30/12;  
G06F 40/106; G06T 13/80; G06T 15/00;  
G06T 15/02; G06Q 10/10; H04M 1/6075;  
H04M 3/567; H04M 1/2477; H04M 1/26;  
H04L 51/04; H04L 12/1813; H04N 7/16;  
H04N 1/00408

See application file for complete search history.

(56) **References Cited**

U.S. PATENT DOCUMENTS

6,198,483	B1 *	3/2001	Launais	.....	G06F 3/0481 715/781
6,922,815	B2 *	7/2005	Rosen	.....	G06F 16/954 715/782
7,636,889	B2 *	12/2009	Weber	.....	G06F 3/0482 345/672
D625,734	S *	10/2010	Kurozumi	.....	D14/488
D643,438	S *	8/2011	Gardner	.....	D14/486
8,024,658	B1 *	9/2011	Fagans	.....	H04N 1/00132 715/730
D677,275	S *	3/2013	Wujcik	.....	D14/492
D721,096	S *	1/2015	Pereira	.....	D14/488
D761,301	S *	7/2016	Kim	.....	D14/488
D777,768	S *	1/2017	Persson	.....	D14/487
D778,311	S *	2/2017	Denis	.....	D14/487
D791,806	S *	7/2017	Brewington	.....	D14/486
D797,767	S *	9/2017	Esselstrom	.....	D14/485
D800,747	S *	10/2017	Lee	.....	D14/486

(Continued)

*Primary Examiner* — Cary M Robinson

(74) *Attorney, Agent, or Firm* — Young Basile Hanlon & MacFarlane, P.C.

(57) **CLAIM**

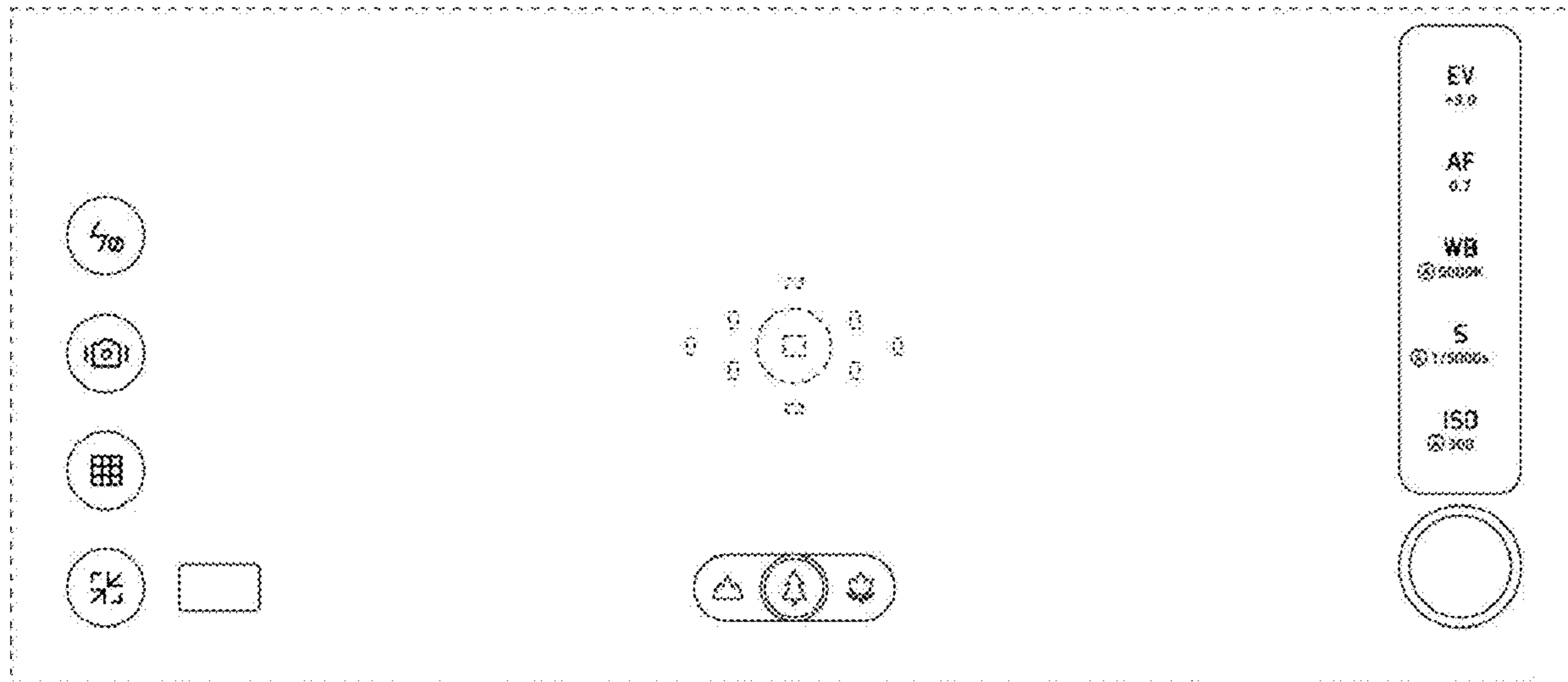
The ornamental design for a display screen or portion thereof with graphical user interface, as shown and described.

**DESCRIPTION**

FIG. 1 is a front view of a first embodiment of a display screen or portion thereof with graphical user interface showing our new design; and,

FIG. 2 is a front view of a second embodiment thereof. The outer broken lines in the figures show a display screen or portion thereof, and form no part of the claimed design. The other broken lines in the figures show portions of the graphical user interface that form no part of the claimed design.

**1 Claim, 1 Drawing Sheet**



(56)

**References Cited**

## U.S. PATENT DOCUMENTS

D802,620 S \* 11/2017 Bae ..... D14/487  
D858,537 S \* 9/2019 Esselstrom ..... D14/485  
D865,811 S \* 11/2019 Dagley ..... D14/492  
D883,308 S \* 5/2020 Nesladek ..... D14/486  
D884,013 S \* 5/2020 Clediere ..... D14/486  
D884,018 S \* 5/2020 Agarawala ..... D14/488  
2004/0066411 A1 \* 4/2004 Fung ..... G06F 3/0481  
715/781  
2009/0276724 A1 \* 11/2009 Rosenthal ..... G06F 16/338  
715/771  
2010/0175022 A1 \* 7/2010 Diehl ..... G06F 3/0481  
715/784  
2014/0192232 A1 \* 7/2014 Park ..... H04N 5/76  
348/231.99  
2014/0337749 A1 \* 11/2014 Phang ..... H04N 21/4131  
715/740  
2014/0337773 A1 \* 11/2014 Phang ..... G06F 3/0482  
715/767  
2014/0354650 A1 \* 12/2014 Singh ..... G06F 8/34  
345/440  
2015/0188720 A1 \* 7/2015 Winter ..... H04L 51/32  
715/753  
2015/0378529 A1 \* 12/2015 Ramanathan ..... G06T 11/206  
715/834  
2016/0357842 A1 \* 12/2016 Kohlmeier ..... G06F 16/285

\* cited by examiner

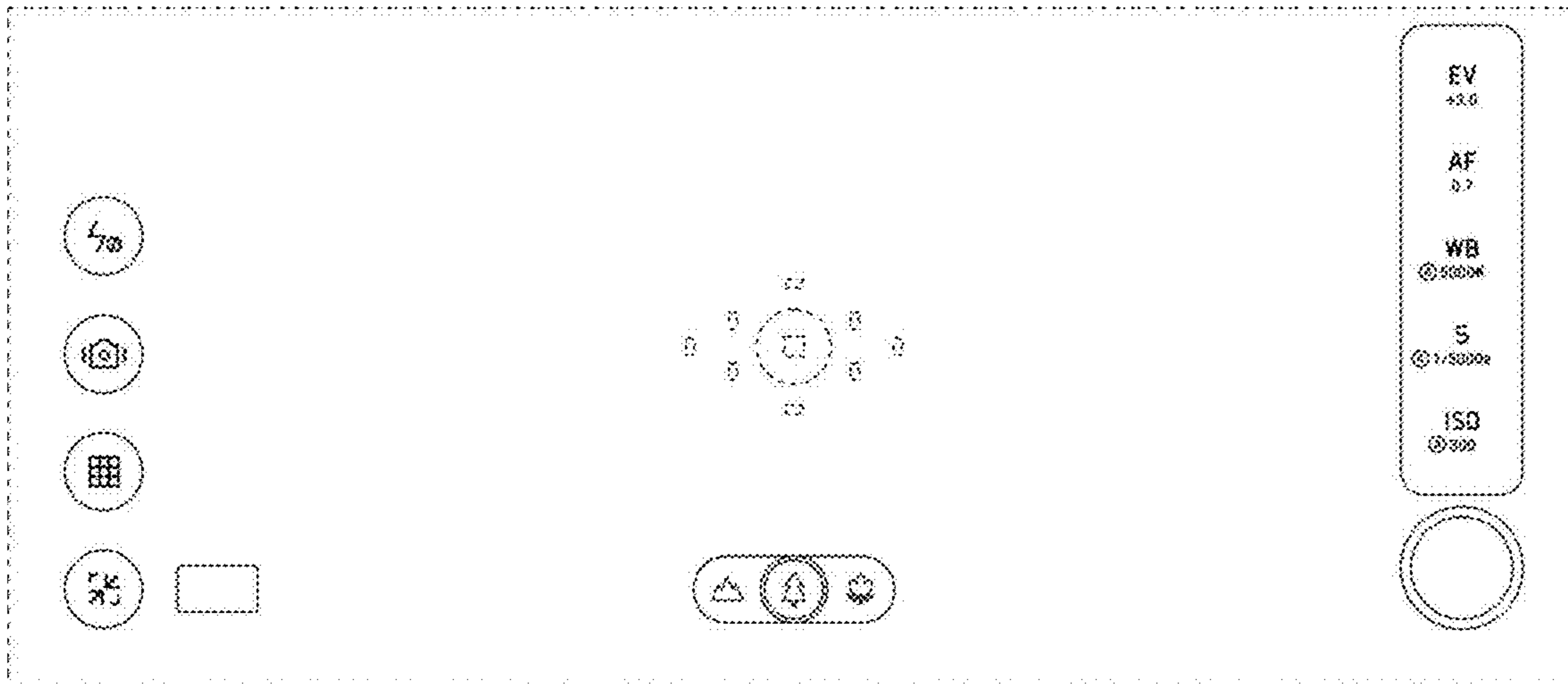


FIG. 1

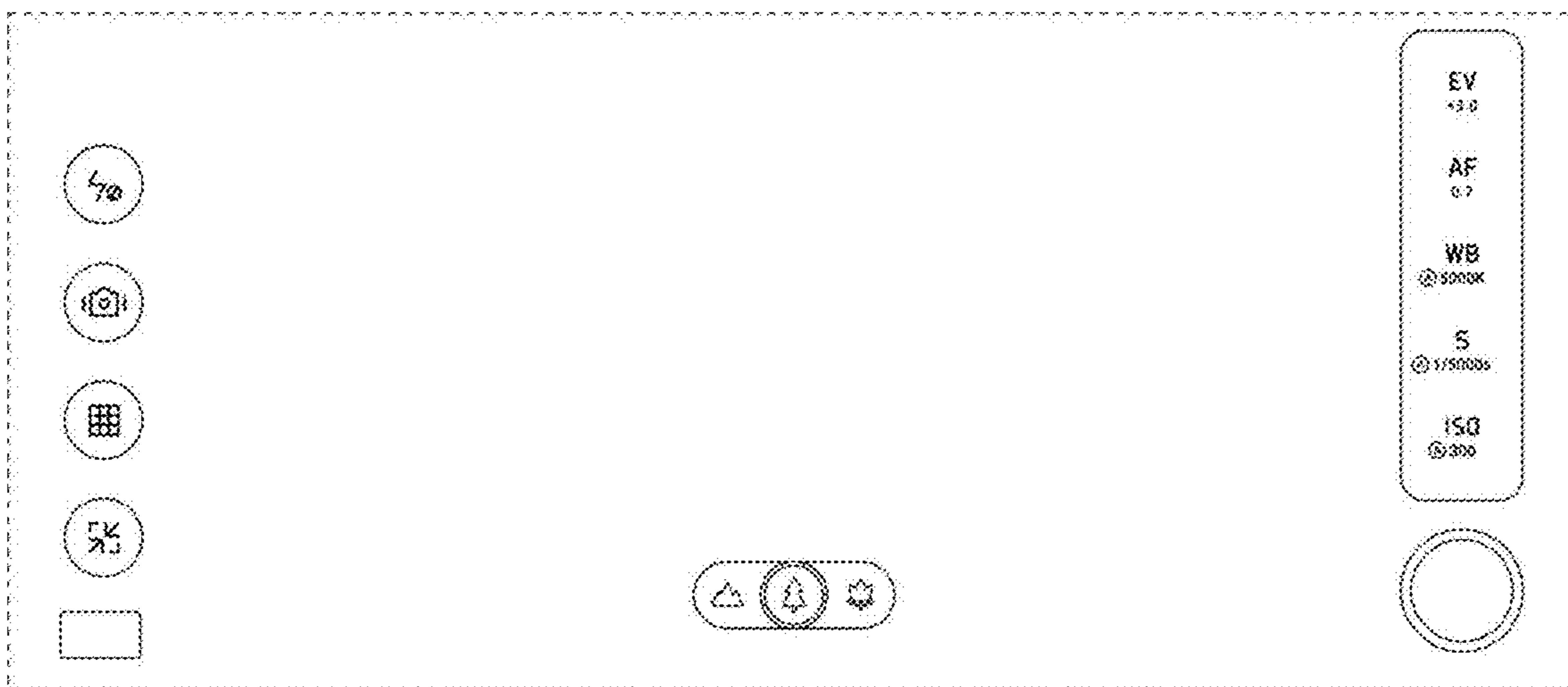


FIG. 2