



US00D938959S

(12) **United States Design Patent** (10) **Patent No.:** **US D938,959 S**
Xie (45) **Date of Patent:** **** Dec. 21, 2021**

(54) **DISPLAY MOUNT**

(71) Applicant: **SHENZHEN PRIME TECHNOLOGY CO., LTD**, Shenzhen (CN)

(72) Inventor: **Menghong Xie**, Shenzhen (CN)

(73) Assignee: **SHENZHEN PRIME TECHNOLOGY CO., LTD**, Shenzhen (CN)

(**) Term: **15 Years**

(21) Appl. No.: **29/749,338**

(22) Filed: **Sep. 4, 2020**

(51) **LOC (13) Cl.** **14-02**

(52) **U.S. Cl.**
USPC **D14/452**

(58) **Field of Classification Search**
USPC D14/125-129, 239, 251-253, 335, D14/336-337, 371-382, 432, 439-441, D14/447-452, 457, 492
CPC G06F 1/1616; G06F 3/011; G06F 3/016; G06F 3/0202; G06F 3/0213; G06F 3/0219; G06F 3/023; G06F 3/0338; G06F 3/03543; G06F 3/038; G06F 3/0488; G06F 3/04883

See application file for complete search history.

(56) **References Cited**

U.S. PATENT DOCUMENTS

7,264,212	B2 *	9/2007	Hung	F16M 11/10 248/184.1
D563,399	S *	3/2008	Wohlford	D14/239
D568,325	S *	5/2008	Muday	D14/452
D568,326	S *	5/2008	Muday	D14/452
D584,734	S *	1/2009	Chu	D14/452
D649,552	S *	11/2011	Huang	F16M 11/24 D14/452

D651,199	S	12/2011	Huang	
D652,423	S *	1/2012	Sapper D14/452
D660,308	S *	5/2012	Huang D14/452

(Continued)

FOREIGN PATENT DOCUMENTS

CA	184582	*	10/2019
CA	184584	*	10/2019
CA	184596	*	11/2019

OTHER PUBLICATIONS

Dual Monitor Stand, date first available: Sep. 17, 2020, [retrieved Mar. 11, 2021], Retrieved from Internet, URL: <https://www.amazon.com/dp/B08DNTVY8Y/ref=sspa_dk_detail_9?psc=1&pd_rd_i=B08DNTVY8Y&pd_rd_w=f3GYY&pf_rd_p=cbc856ed-1371-4f23-b%E2%80%A6> (Year: 2020).*

(Continued)

Primary Examiner — Barbara Fox
Assistant Examiner — Aram Kwon

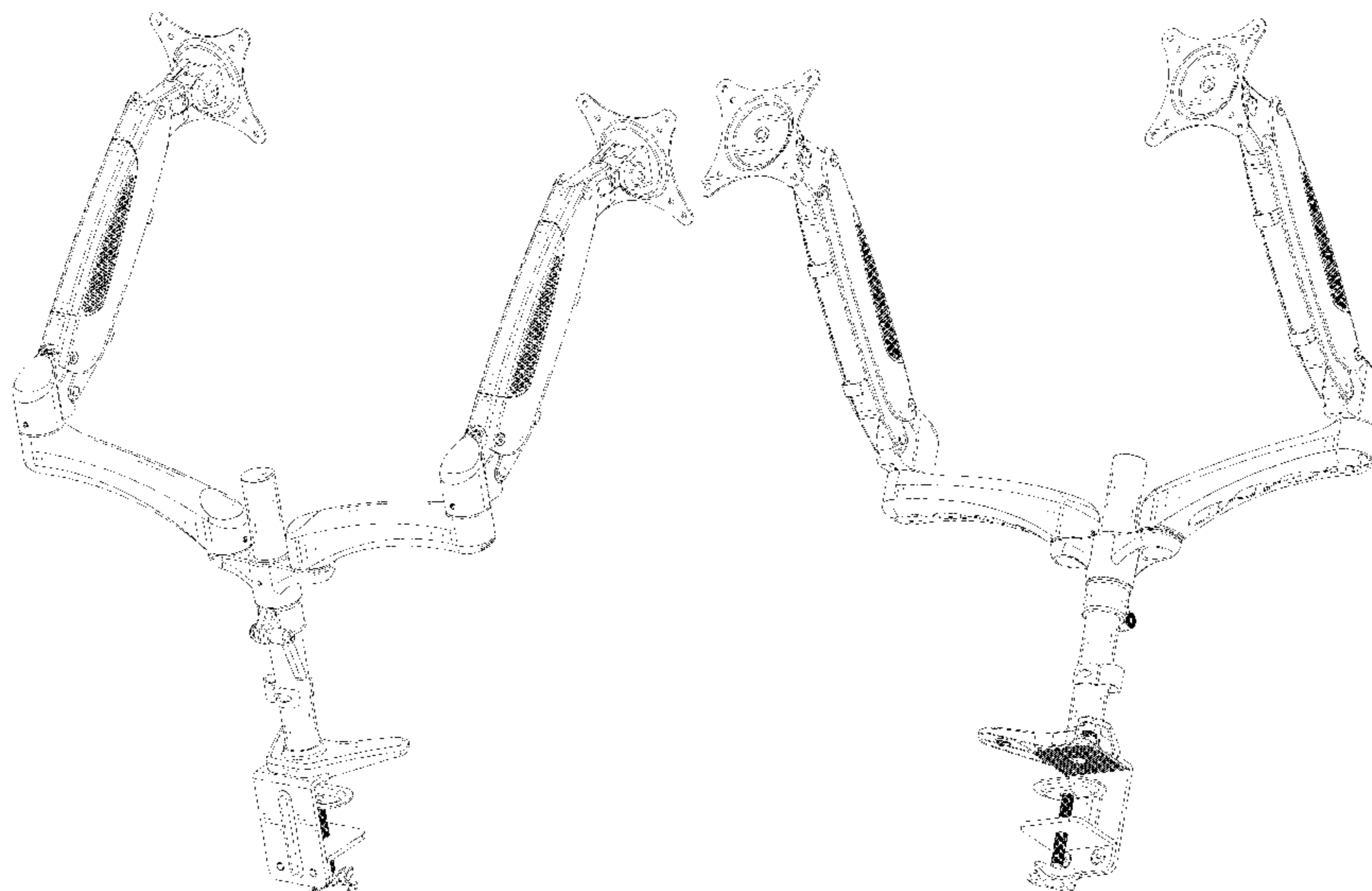
(57) **CLAIM**

The ornamental design for a display mount, as shown and described.

DESCRIPTION

FIG. 1 is a perspective view of a display mount showing my new design;
FIG. 2 is another perspective view thereof;
FIG. 3 is a front elevational view thereof;
FIG. 4 is a rear elevational view thereof;
FIG. 5 is a left side elevational view thereof;
FIG. 6 is a right side elevational view thereof;
FIG. 7 is a top plan view thereof;
FIG. 8 is a bottom plan view thereof;
FIG. 9 is an exploded perspective view of the display mount; and,
FIG. 10 is an enlarged view of portion 10 shown in FIG. 7. The broken lines in the drawings depict portions of the display mount that form no part of the claimed design.

1 Claim, 10 Drawing Sheets



(56)

References Cited

U.S. PATENT DOCUMENTS

D706,275 S * 6/2014 Derry D14/452
 10,066,785 B1 * 9/2018 Chen F16M 11/2014
 10,520,131 B2 * 12/2019 Burke F16M 11/045
 D872,067 S * 1/2020 Knapp D14/239
 D872,719 S 1/2020 Knapp
 D894,197 S * 8/2020 Knapp D14/452
 10,753,531 B2 * 8/2020 Huang F16M 11/16
 10,760,727 B2 * 9/2020 Huang F16M 11/04
 D901,514 S * 11/2020 Knapp D14/452
 D905,700 S * 12/2020 Lu D14/452
 D932,539 S * 10/2021 Hong D16/242
 2007/0139870 A1 * 6/2007 Lin F16M 13/022
 361/679.22
 2012/0056050 A1 * 3/2012 Huang F16M 11/2064
 248/124.1
 2019/0374025 A1 * 12/2019 Bowman F16M 11/2092
 2020/0170406 A1 * 6/2020 Knapp F16M 11/26

OTHER PUBLICATIONS

Dual Monitor Stand, date first available: Apr. 22, 2020, [retrieved Mar. 11, 2021], Retrieved from Internet, URL: <https://www.amazon.com/Dual-Monitor-Stand-Adjustable-Mounting/dp/B0855ZBPXD/ref=pd_sbs_10?pd_rd_w=VbZ0o&pf_rd_p=527ea27c-adf6-4b6%E2%80%A6> (Year: 2020).*

Huanuo Dual Monitor Stand, date first available Dec. 10, 2019, [retrieved Mar. 11, 2021], Retrieved from Internet, URL: <https://www.amazon.com/HUANUO-Dual-Monitor-Stand-Articulating/dp/B081PV6JJY?ref_=ast_sto_dp&th=1&psc=1> (Year: 2019).*

VIVO Dual LCD Monitor Desk Mount Stand, date first available: Oct. 17, 2012, [retrieved Mar. 11, 2021], Retrieved from Internet, URL: <<https://www.amazon.com/VIVO-Monitor-Adjustable-Screens-STAND-V002/dp/B009S750LA>> (Year: 2012).*

* cited by examiner

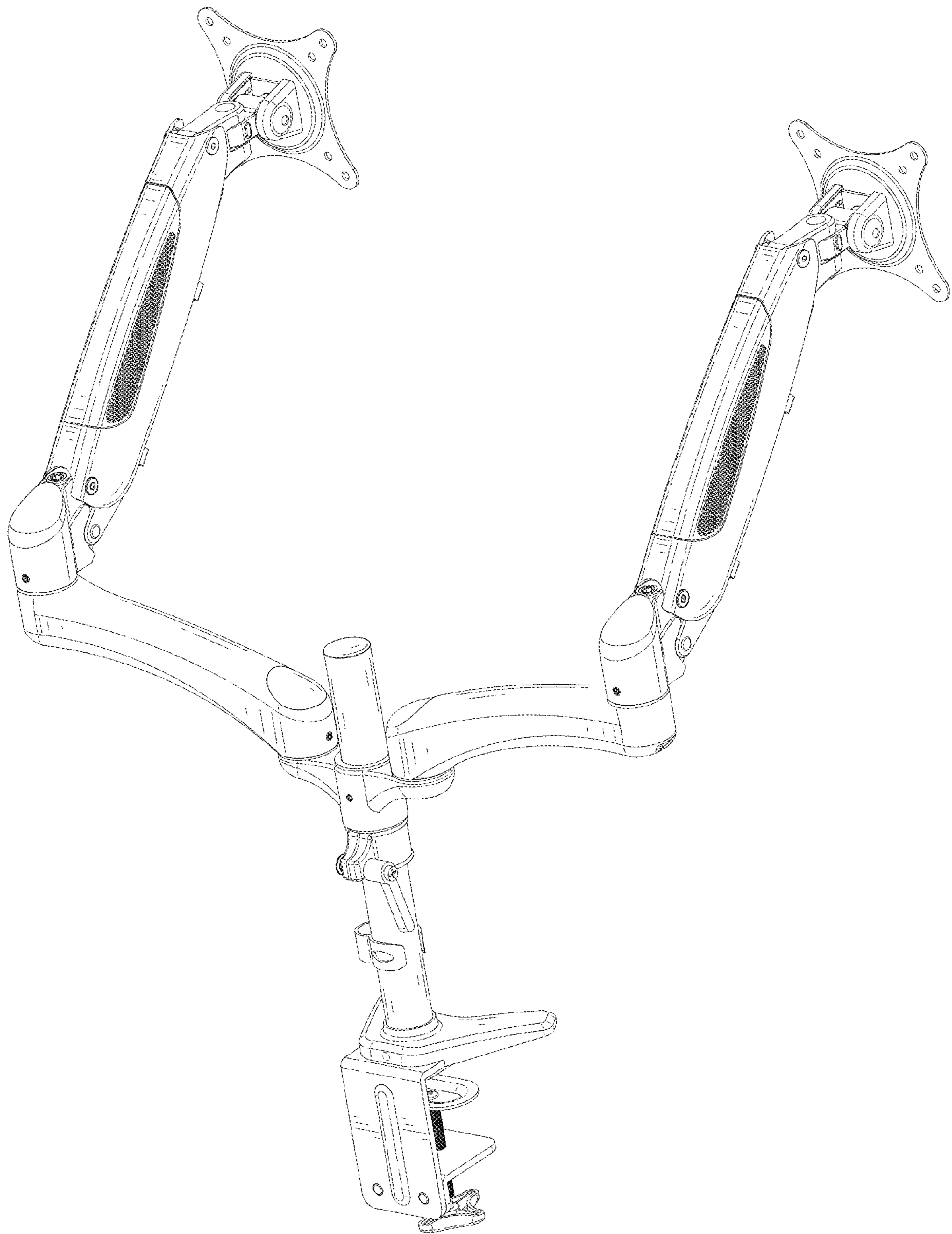


FIG. 1

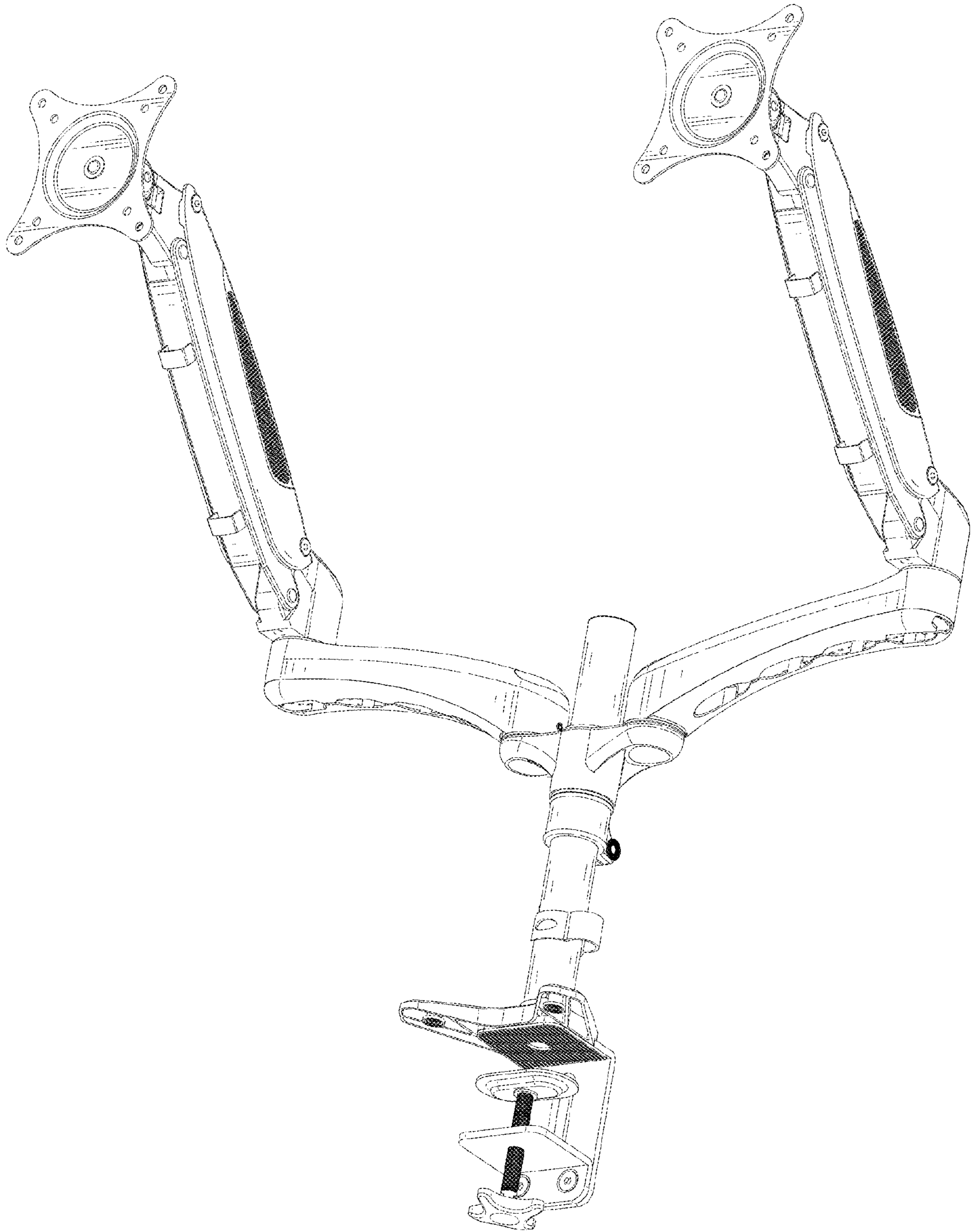


FIG. 2

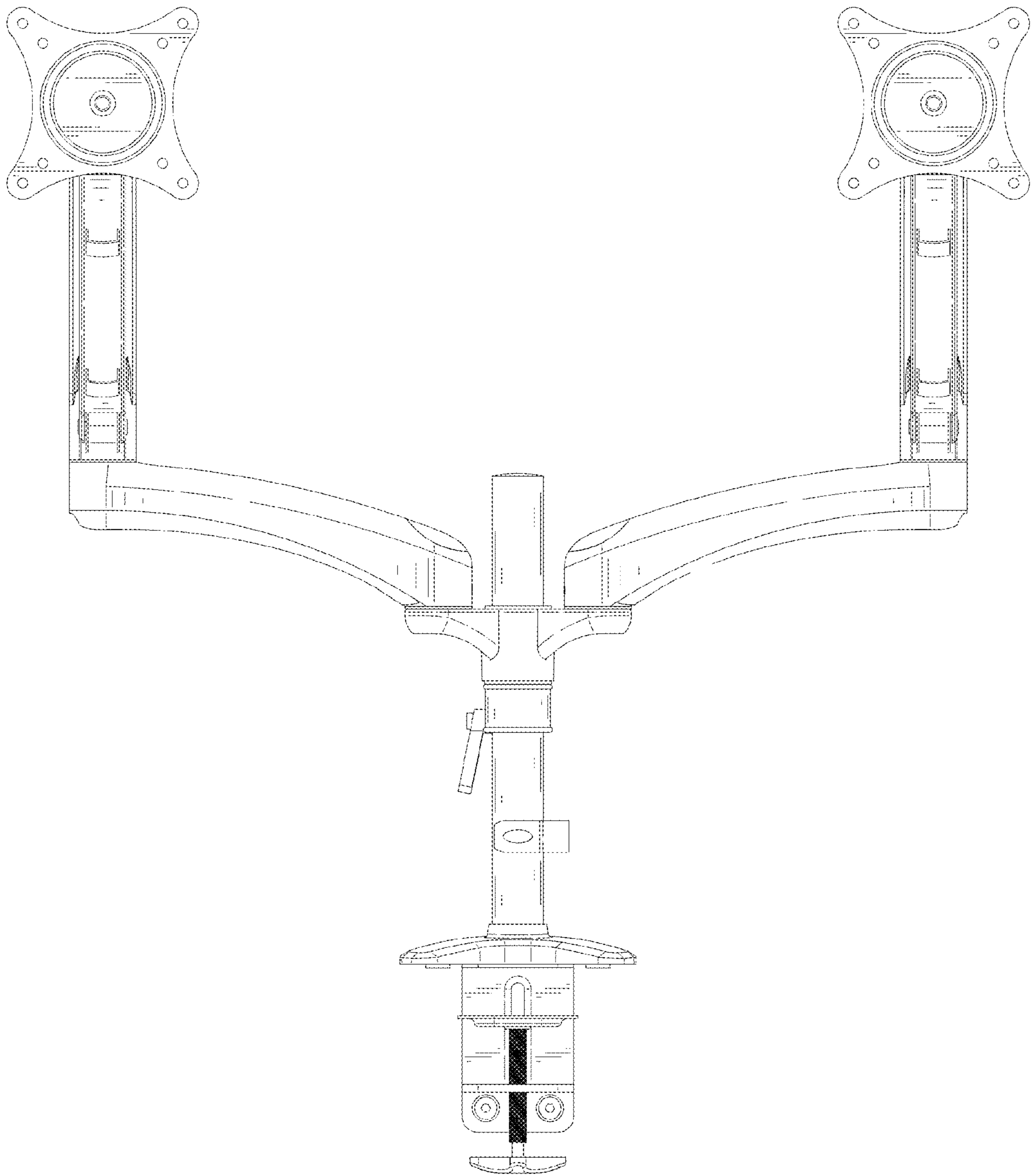


FIG. 3

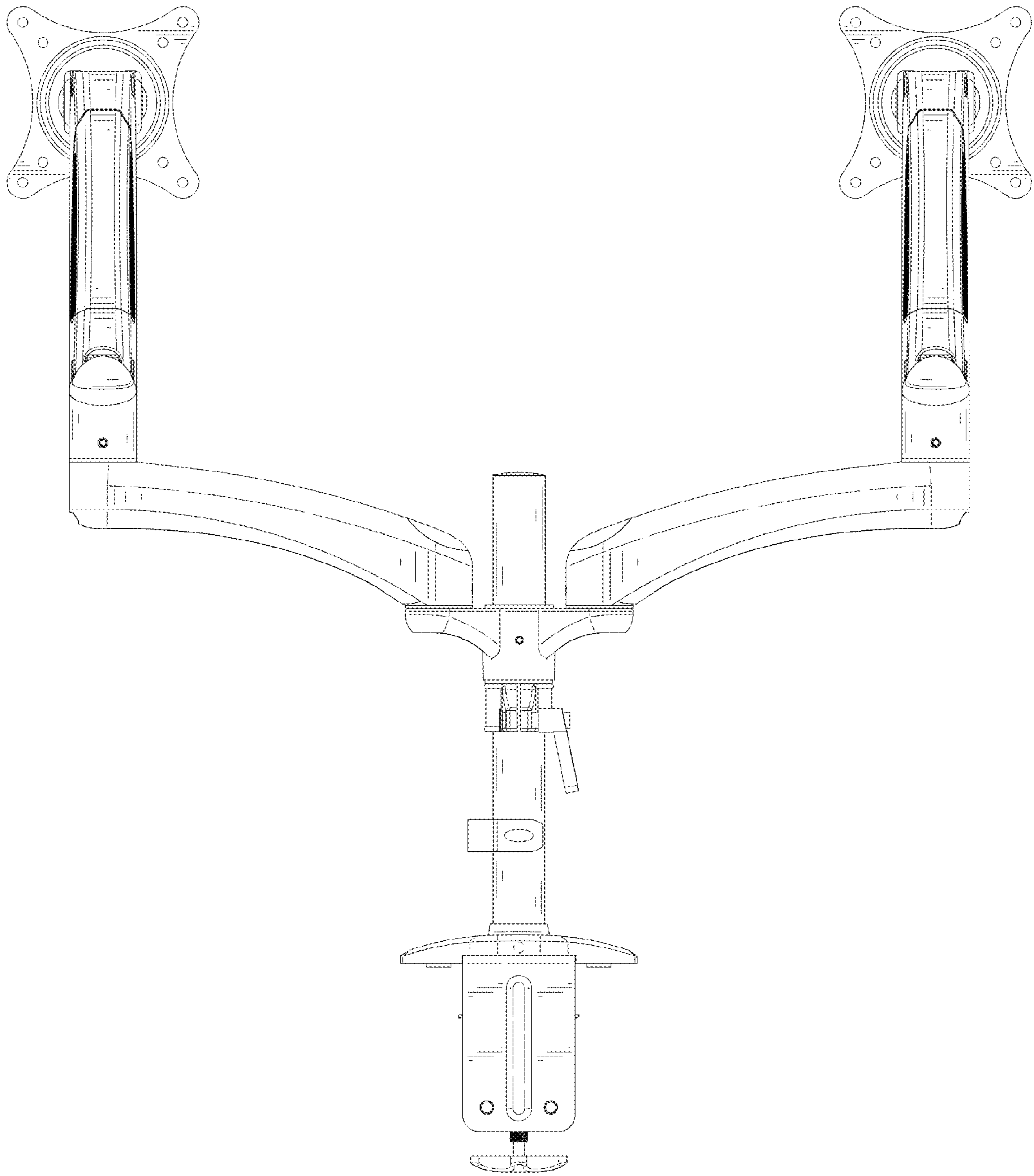


FIG. 4

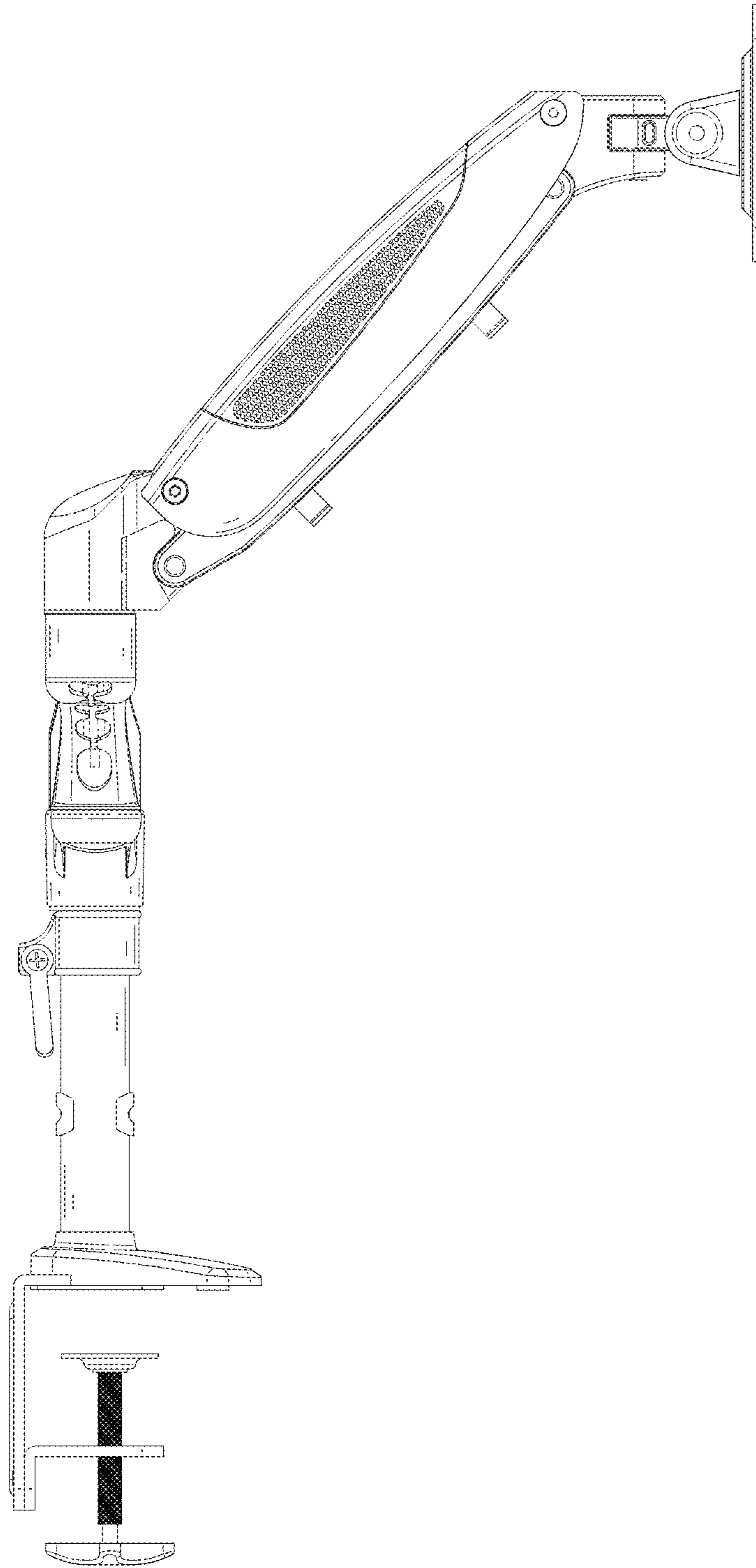


FIG. 5

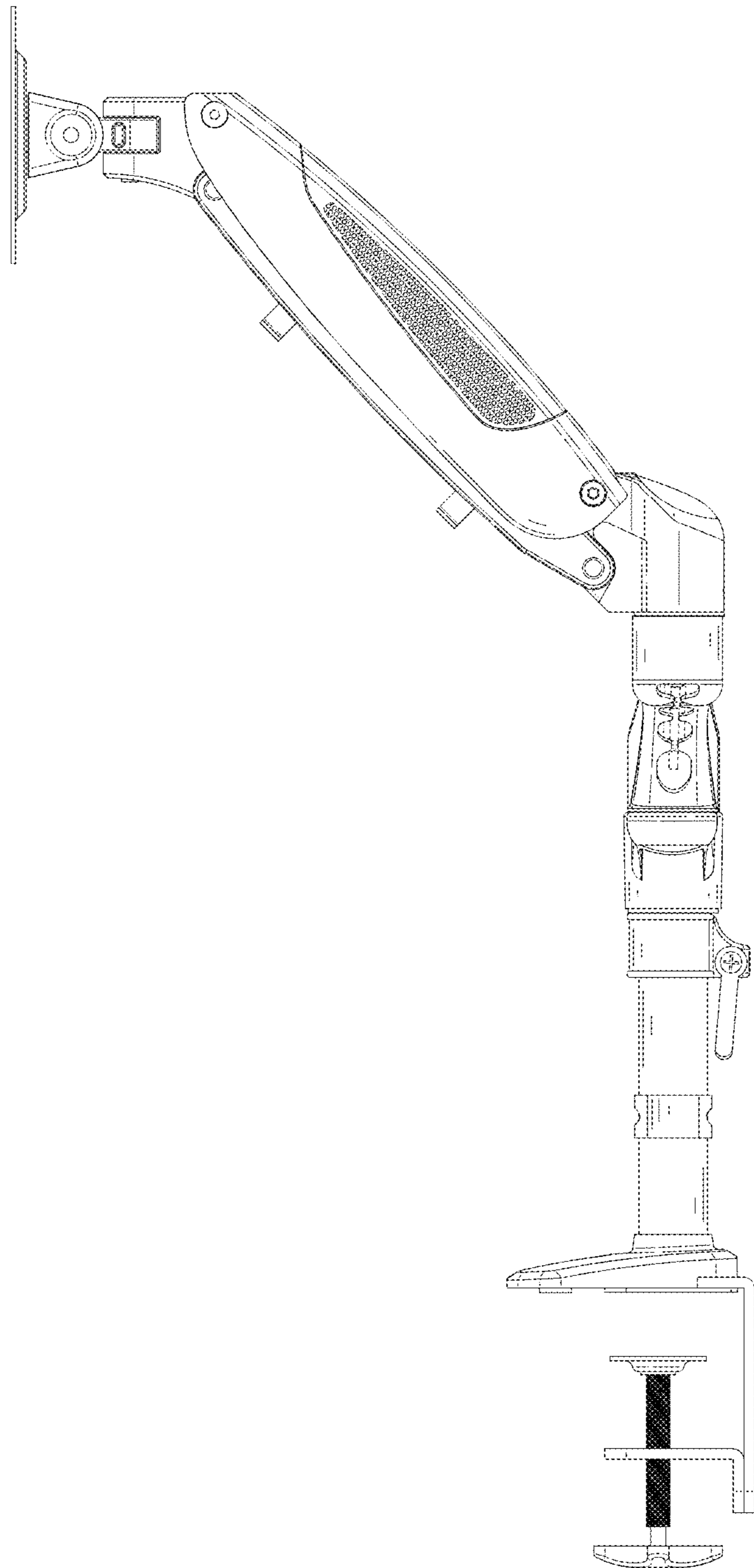


FIG. 6

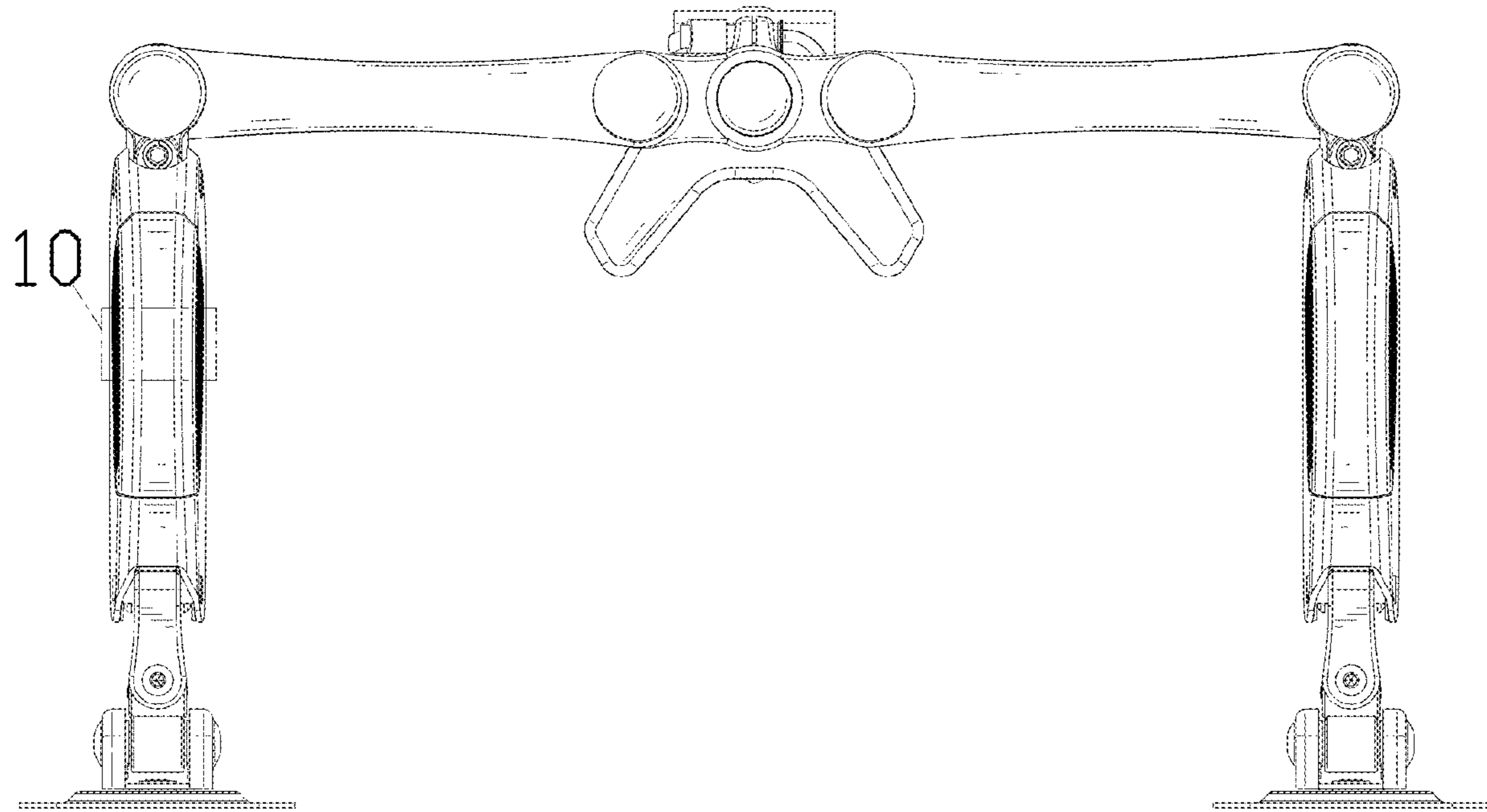


FIG. 7

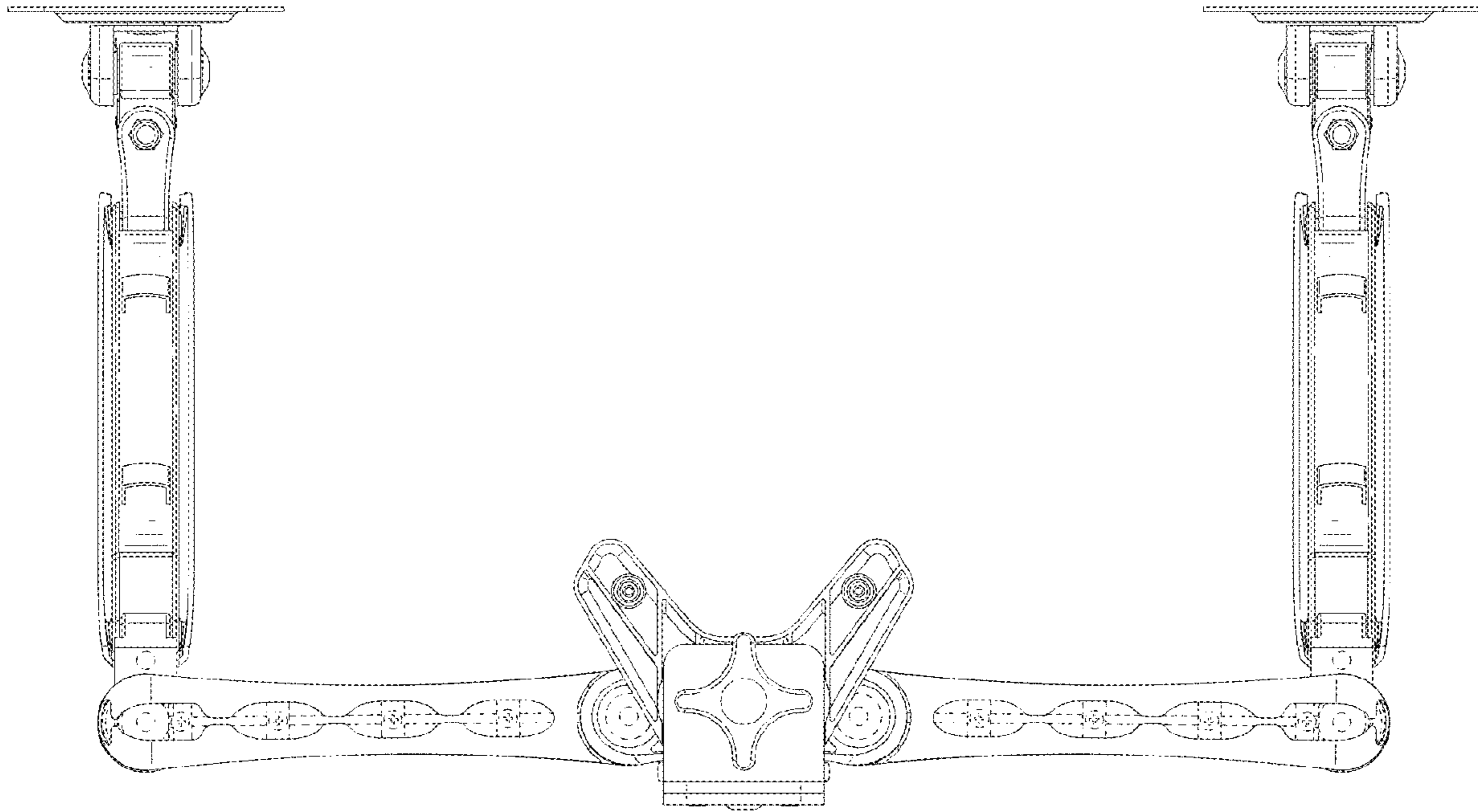


FIG. 8

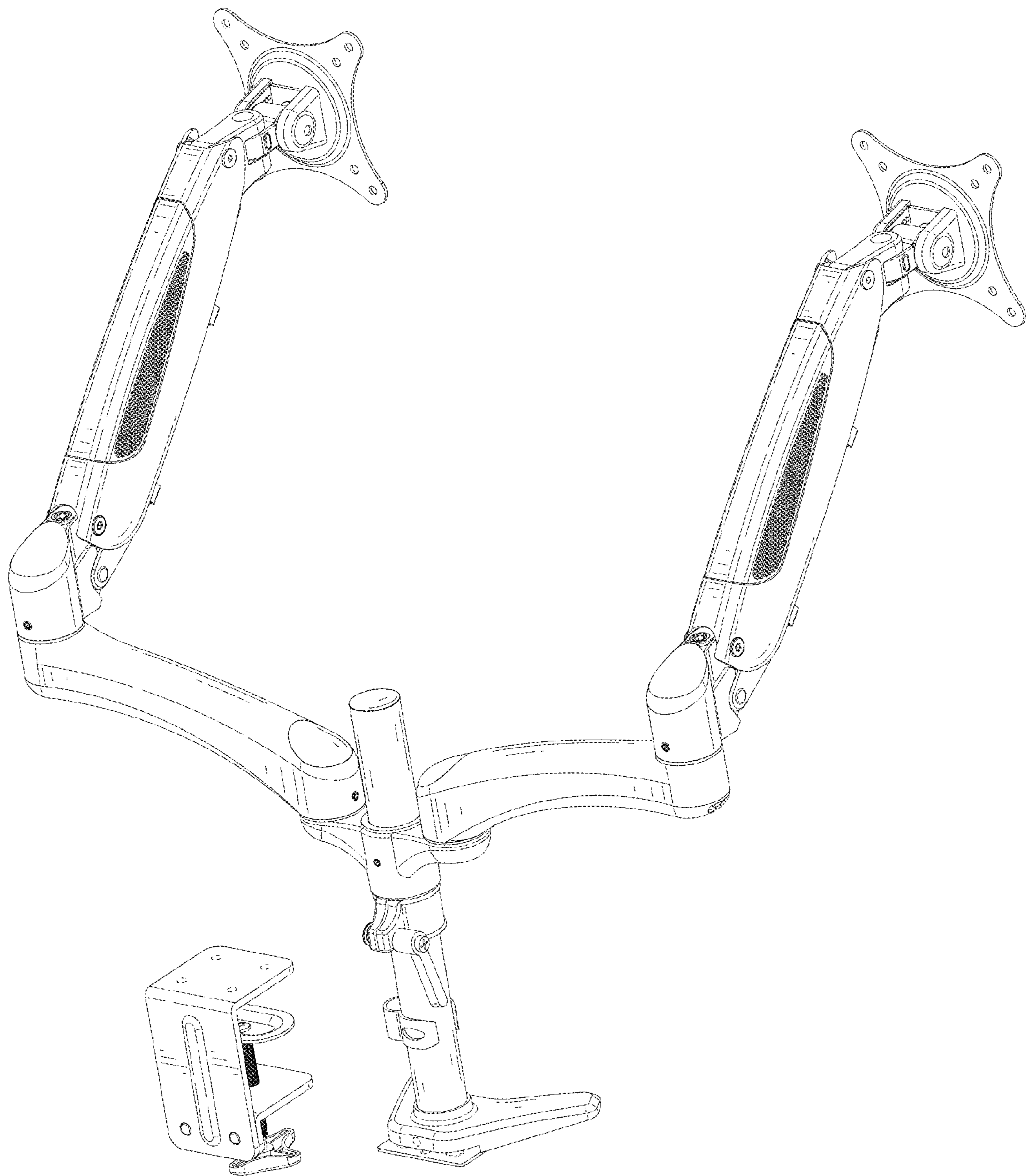


FIG. 9

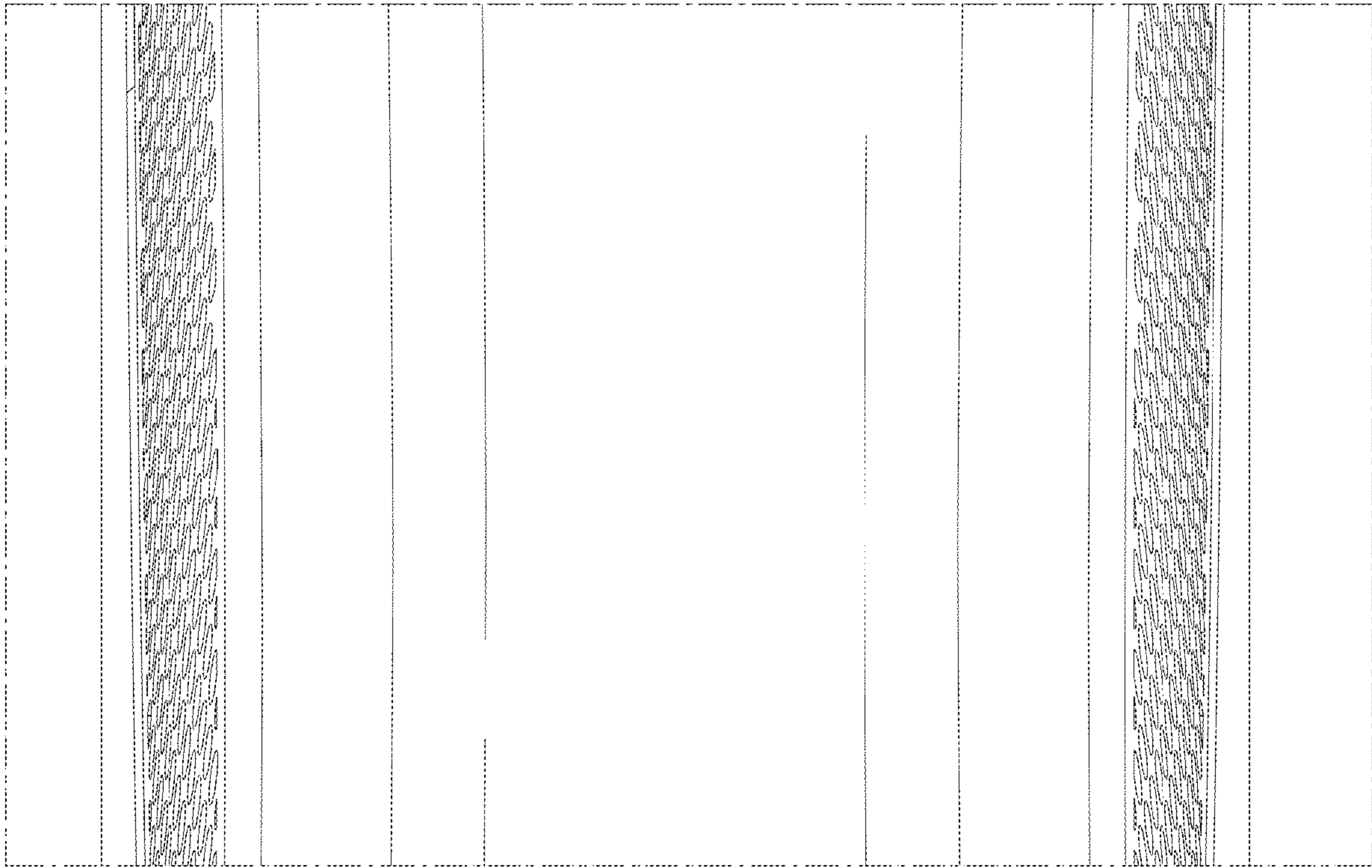


FIG. 10