



US00D938958S

(12) **United States Design Patent**
Zhang

(10) **Patent No.:** **US D938,958 S**

(45) **Date of Patent:** **** Dec. 21, 2021**

(54) **NOTEBOOK STAND**

(71) Applicant: **Dongguan Qisuo Electronic Technology Co., Ltd., Dongguan (CN)**

(72) Inventor: **Fengzhi Zhang, Dongguan (CN)**

(**) Term: **15 Years**

(21) Appl. No.: **29/754,447**

(22) Filed: **Oct. 11, 2020**

(30) **Foreign Application Priority Data**

May 25, 2020 (CN) 202030246767.9

(51) **LOC (13) Cl.** **08-07**

(52) **U.S. Cl.**
USPC **D14/447**

(58) **Field of Classification Search**
USPC D14/447, 432, 434, 439, 440, 451, 452,
D14/457, 239, 253; D8/363, 373, 380;
D6/406.3, 406.4, 406.5, 406.6; D12/415;
D13/108
CPC A47B 21/04; A47B 2097/006; A47B
2097/005; A47B 2023/049; A45C
2011/002; A45C 2011/003; F16M
2200/00; F16M 13/00
See application file for complete search history.

(56) **References Cited**

U.S. PATENT DOCUMENTS

D659,147 S * 5/2012 Hu D14/447
D764,478 S * 8/2016 Radmard H04B 1/3888
D14/440

D792,417 S * 7/2017 Xiang D14/447
D827,652 S * 9/2018 Jacques D14/447
D838,724 S * 1/2019 Olander F16M 11/38
D14/447
D898,748 S * 10/2020 Ma D14/447
D902,936 S * 11/2020 Hong D14/447
D904,416 S * 12/2020 Xu D14/447
D921,642 S * 6/2021 Hong D14/447
D930,655 S * 9/2021 Lin D14/447
2018/0125229 A1 * 5/2018 Olander F16M 11/247

* cited by examiner

Primary Examiner — Angela J Lee

(74) *Attorney, Agent, or Firm* — W&KIP

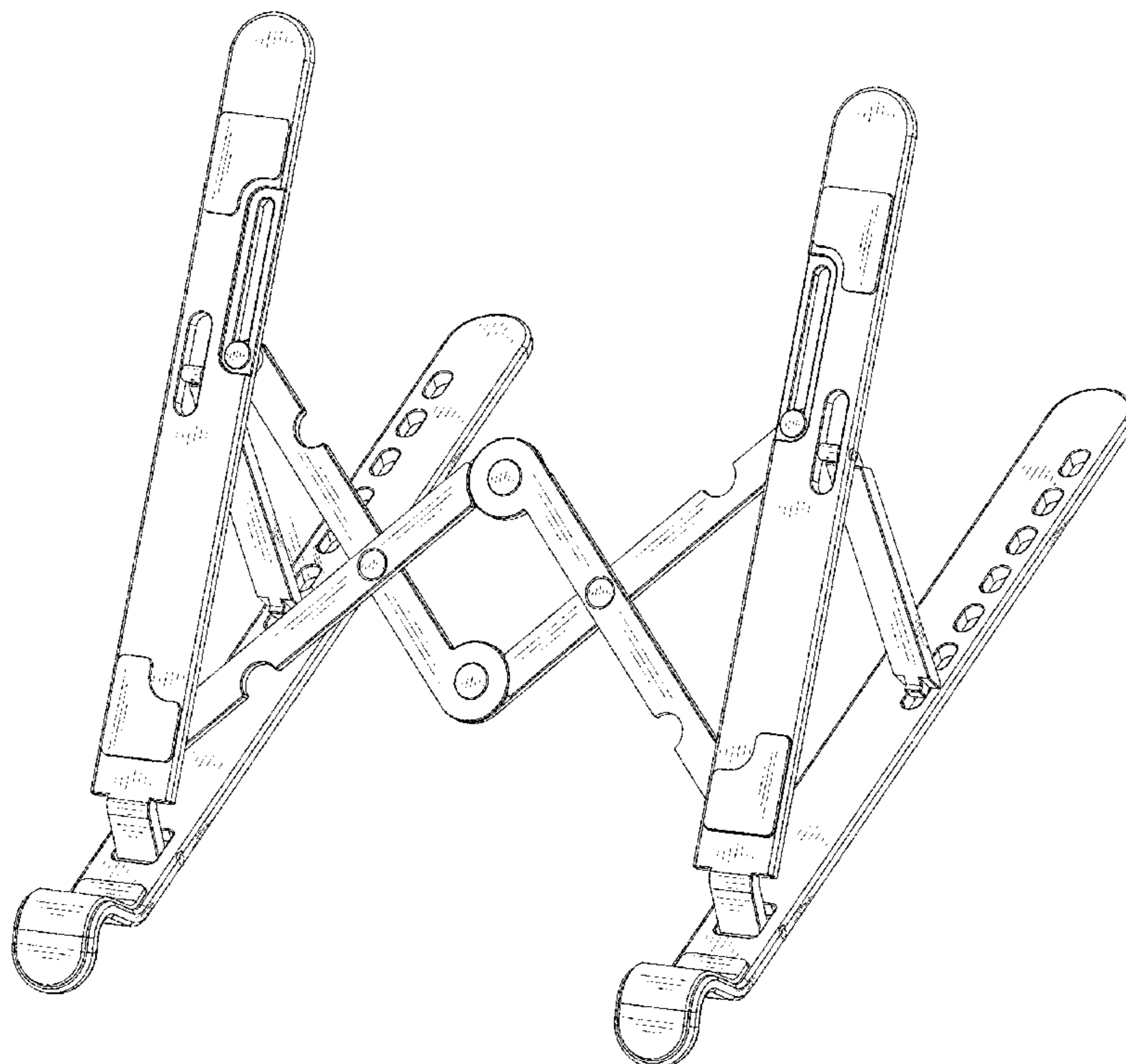
(57) **CLAIM**

The ornamental design for a notebook stand, as shown and described.

DESCRIPTION

FIG. 1 is a perspective view of a notebook stand showing my new design;
FIG. 2 is a front view thereof;
FIG. 3 is a rear view thereof;
FIG. 4 is a left side view thereof;
FIG. 5 is a right side view thereof;
FIG. 6 is a top plan view thereof;
FIG. 7 is a bottom plan view thereof; and,
FIG. 8 is a perspective view of use state thereof.
The dashed or broken lines shown in the drawings depict portions of the notebook stand in which the design is embodied that form no part of the claimed design.

1 Claim, 8 Drawing Sheets



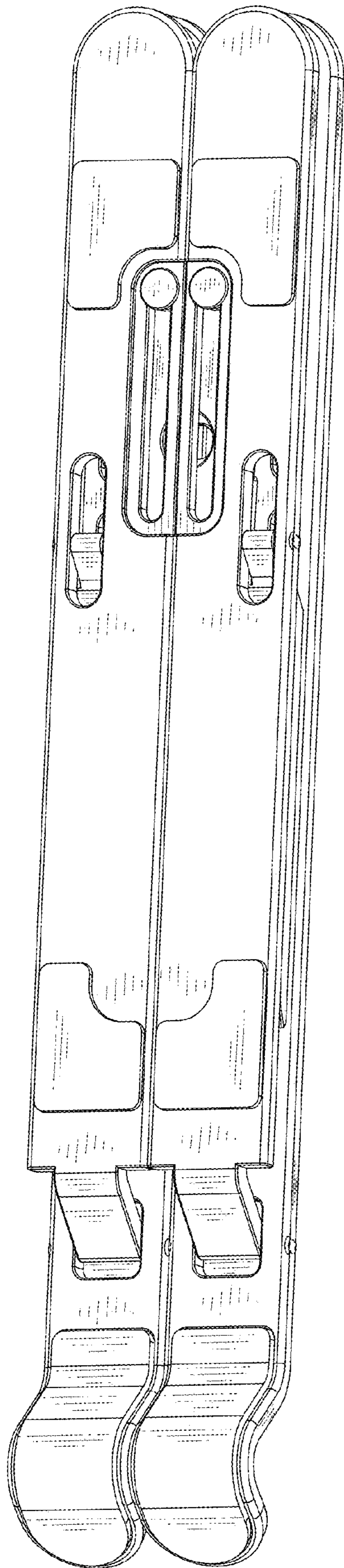


FIG.1

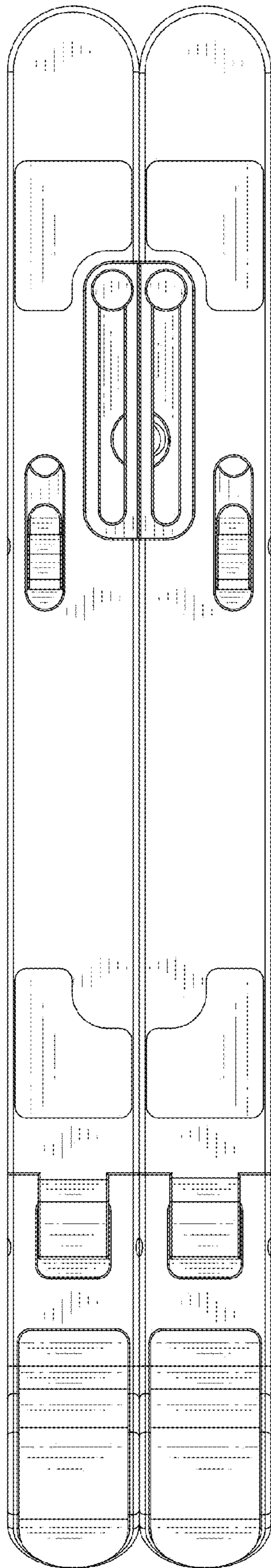


FIG.2

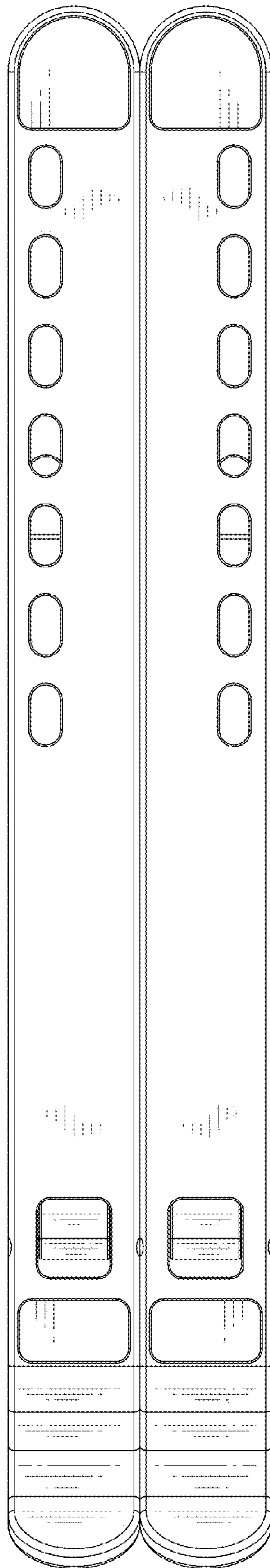


FIG.3

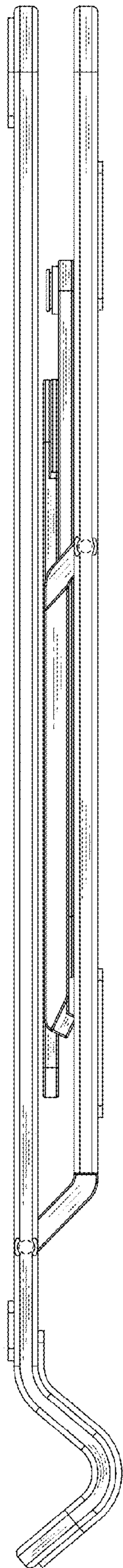


FIG.4

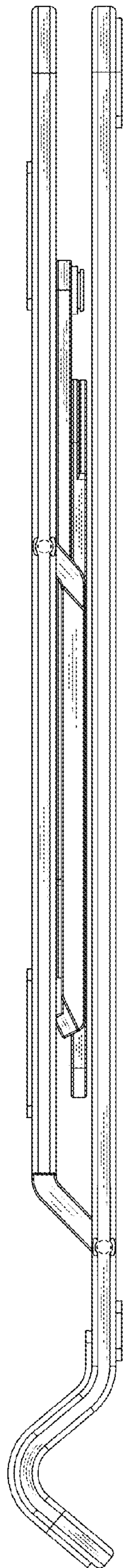


FIG.5

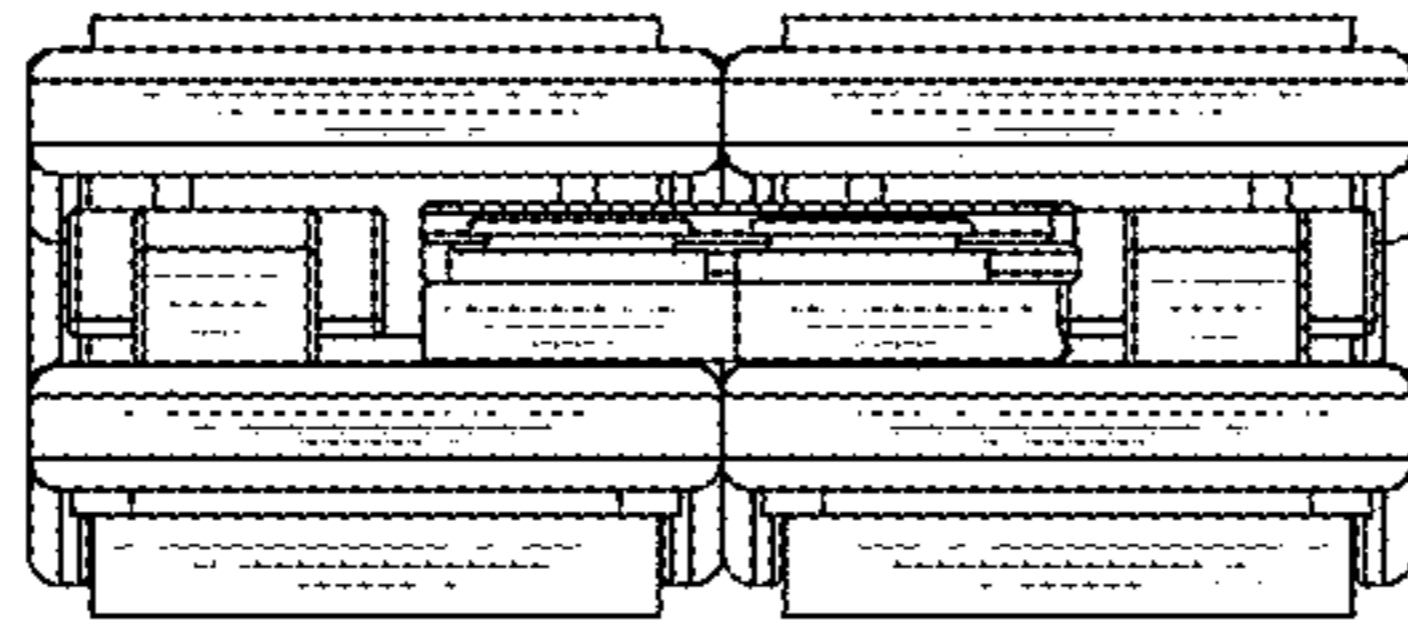


FIG.6

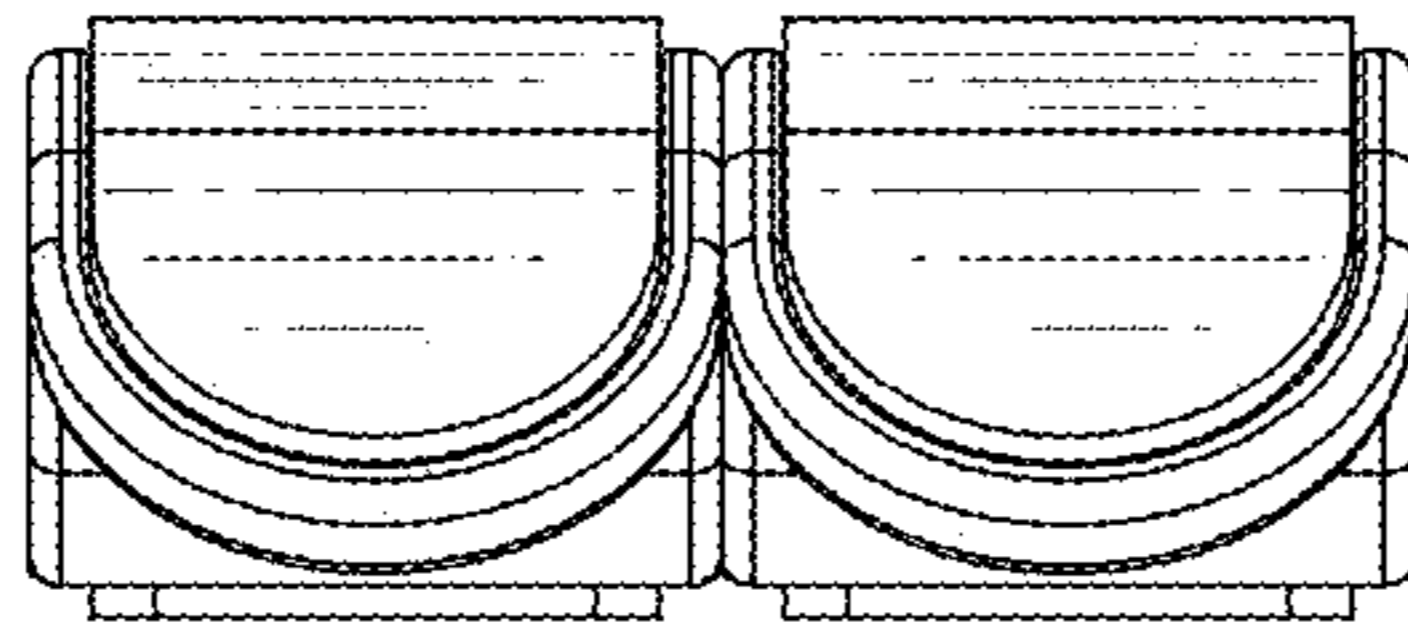


FIG.7

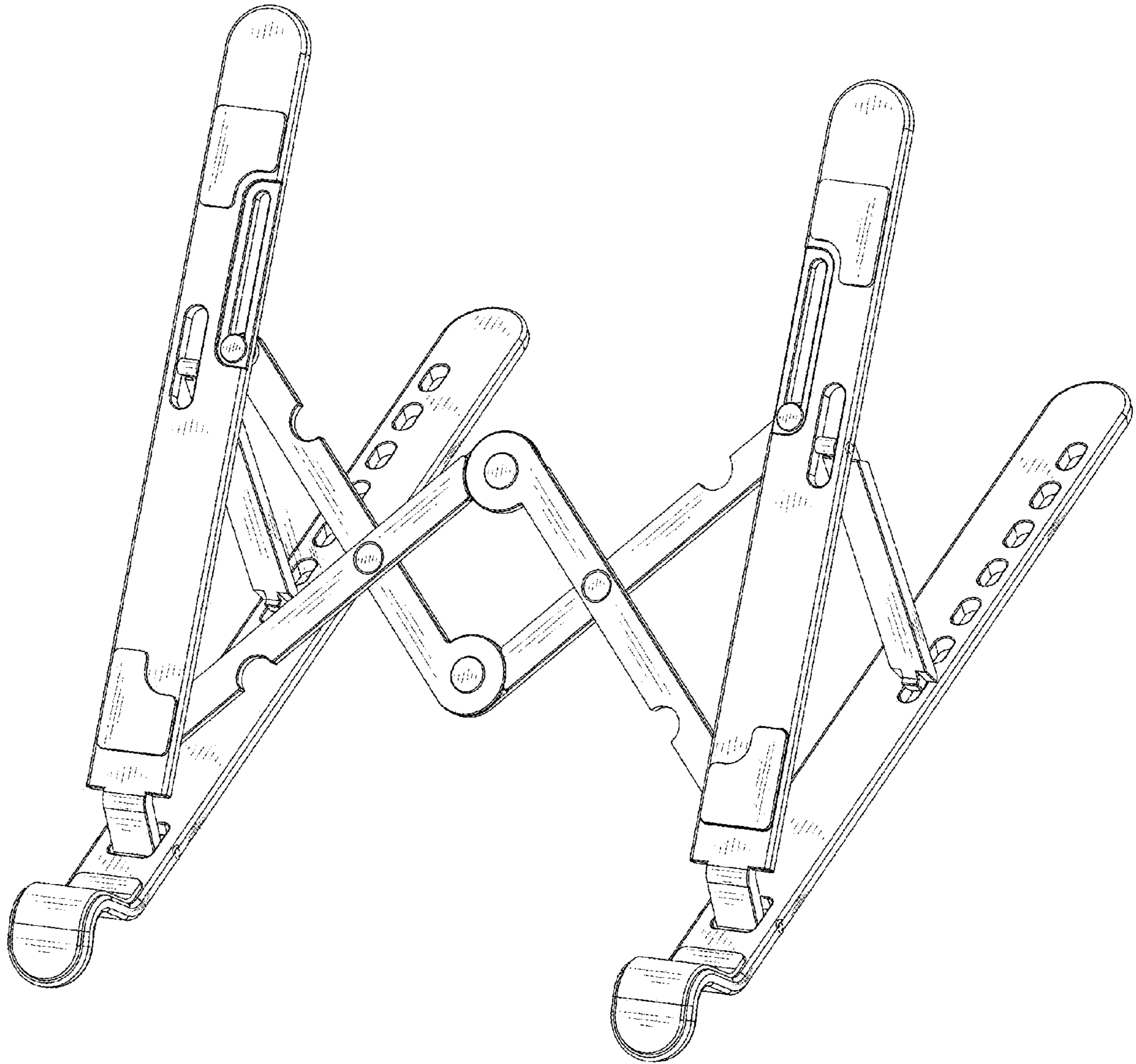


FIG.8