



US00D938957S

(12) **United States Design Patent** (10) **Patent No.:** **US D938,957 S**
Lu (45) **Date of Patent:** **** Dec. 21, 2021**

(54) **HANDLE FOR MOBILE DEVICE**
(71) Applicant: **GETAC TECHNOLOGY CORPORATION**, Hsinchu County (TW)
(72) Inventor: **Wei-Sen Lu**, Taipei (TW)
(73) Assignee: **GETAC TECHNOLOGY CORPORATION**, Hsinchu (TW)

(**) Term: **15 Years**
(21) Appl. No.: **29/737,501**

(22) Filed: **Jun. 9, 2020**
(51) **LOC (13) Cl.** **14-02**
(52) **U.S. Cl.**
USPC **D14/439**

(58) **Field of Classification Search**
USPC D14/341-347, 424, 425, 432-453, 464, D14/468, 469, 471, 496, 511, 138 AA, D14/138 AD, 138 C, 138 G, 203.1-203.8, D14/217, 238.1, 248, 250, 257, 299; 361/679.01, 679.02, 679.03, 679.3, 361/679.55, 679.56; 455/550.1, 556.1, 455/556.2, 575.1, 575.3-575.5, 575.8, 455/90.3
CPC A45C 11/00; A45C 2011/003; B60R 11/0241; B60R 11/0252; F16M 13/00; F16M 11/00
See application file for complete search history.

(56) **References Cited**
U.S. PATENT DOCUMENTS
D716,308 S * 10/2014 Park D14/432
D717,802 S * 11/2014 Carpenter D14/439

D718,315 S * 11/2014 Carpenter D14/439
D755,794 S * 5/2016 Li D14/439
D772,233 S * 11/2016 Kuo D14/439
D776,661 S * 1/2017 Takiguchi D14/434
D785,634 S * 5/2017 Iwamoto D14/434
D888,714 S * 6/2020 Lu D14/392
D893,494 S * 8/2020 Zhong D14/439
D900,825 S * 11/2020 Zhong D14/434
2019/0113954 A1 * 4/2019 Hsu G06F 1/1679

* cited by examiner
Primary Examiner — Austin Murphy

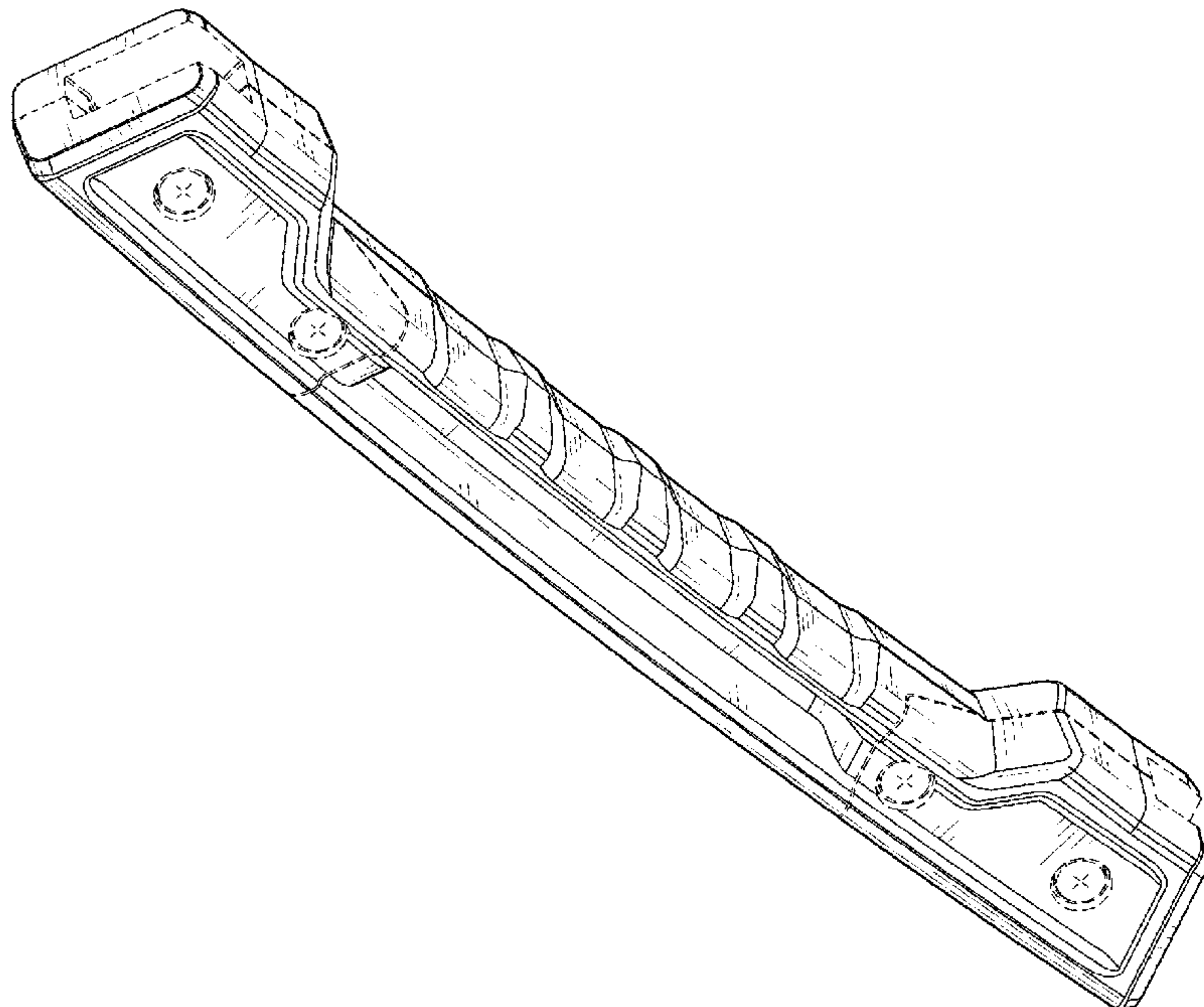
(57) **CLAIM**

The ornamental design for handle for mobile device, as shown and described.

DESCRIPTION

FIG. 1 is a front, top, right side perspective view of a handle for mobile device showing my new design; FIG. 2 is a front elevational view thereof; FIG. 3 is a rear elevational view thereof; FIG. 4 is a left side elevational view thereof; FIG. 5 is a right side elevational view thereof; FIG. 6 is a top plan view thereof; FIG. 7 is a bottom plan view thereof; FIG. 8 is a rear, bottom, right side perspective view thereof; FIG. 9 is a bottom plan view 1 of the handle for mobile device shown in a reference view of usage; and, FIG. 10 is a bottom plan view 2 of the handle for mobile device shown in a reference view of usage. The broken line portions in FIGS. 1-10 illustrate portions of the article that form no part of the claimed design, and in FIGS. 9-10 also illustrate environmental structure.

1 Claim, 7 Drawing Sheets



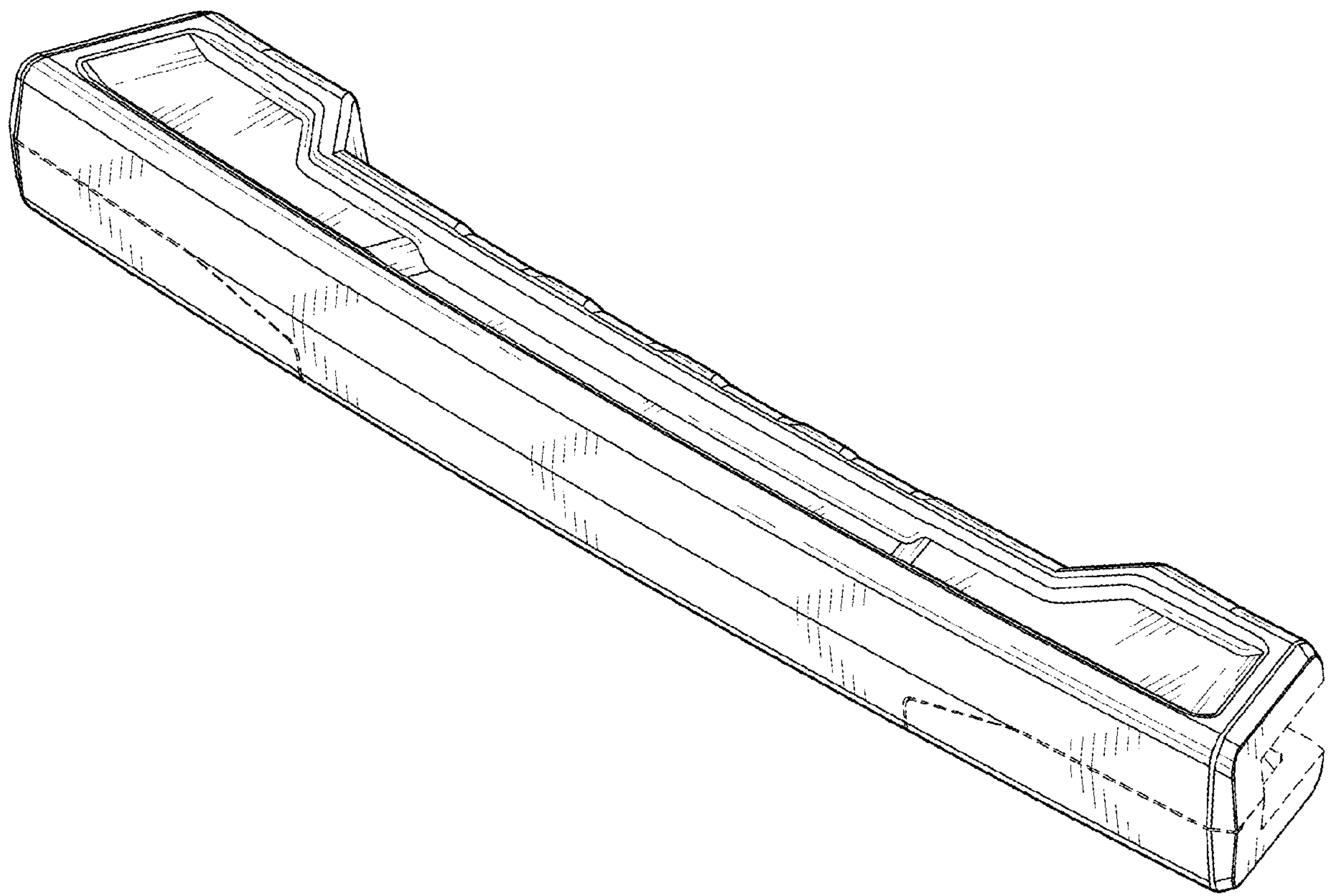


FIG. 1

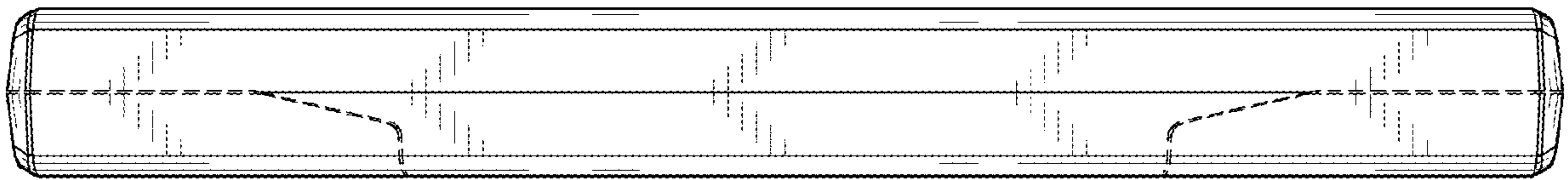


FIG. 2

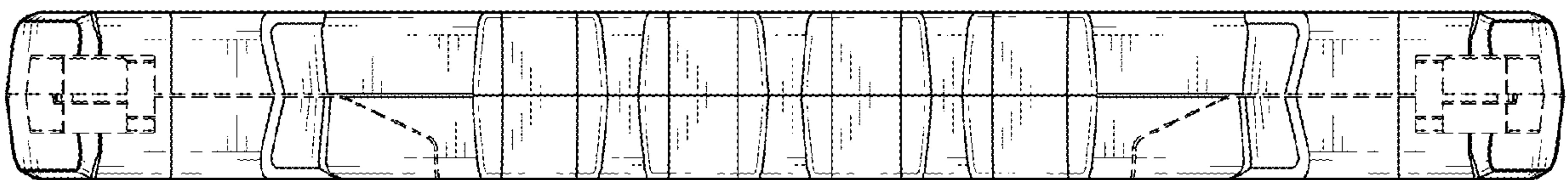


FIG. 3

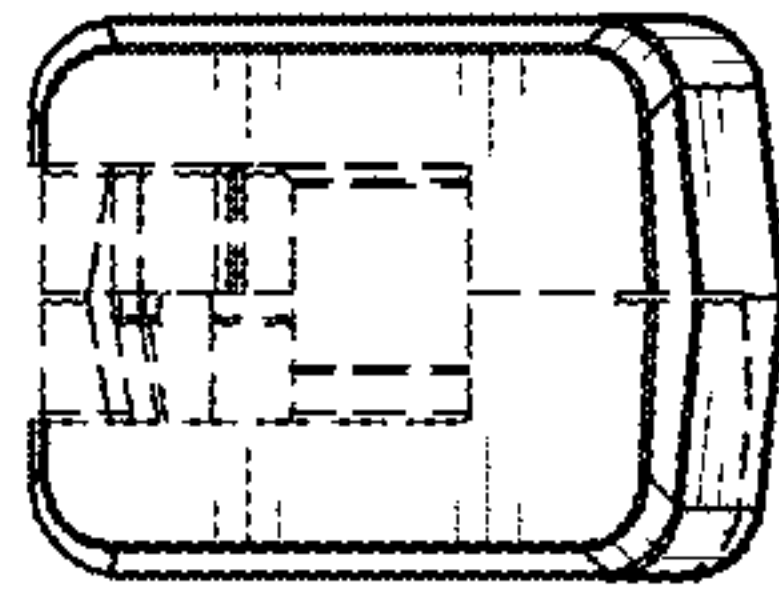


FIG. 4

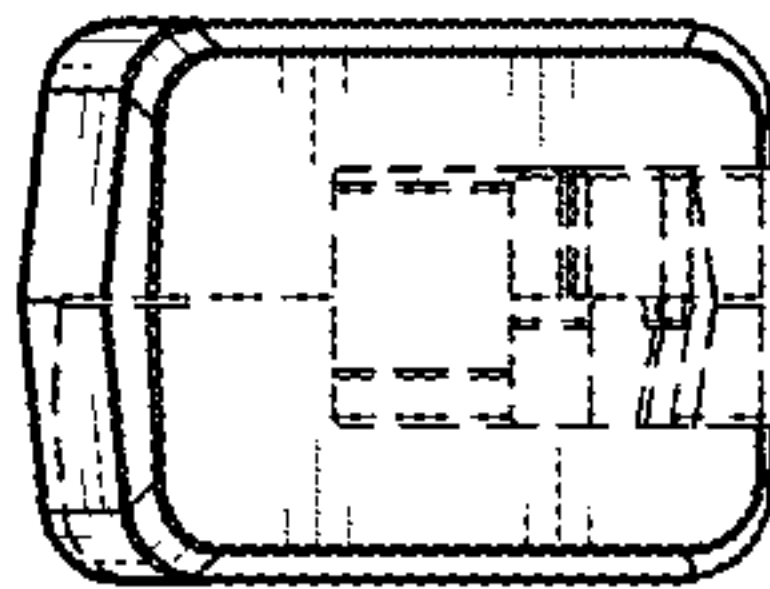


FIG. 5

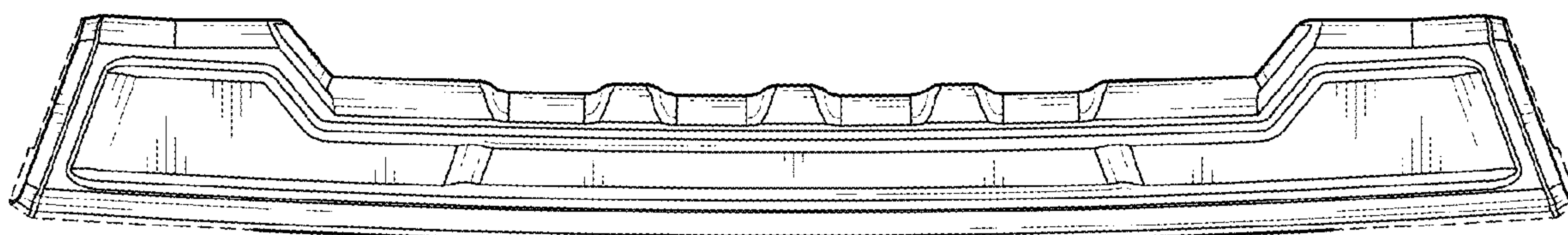


FIG. 6

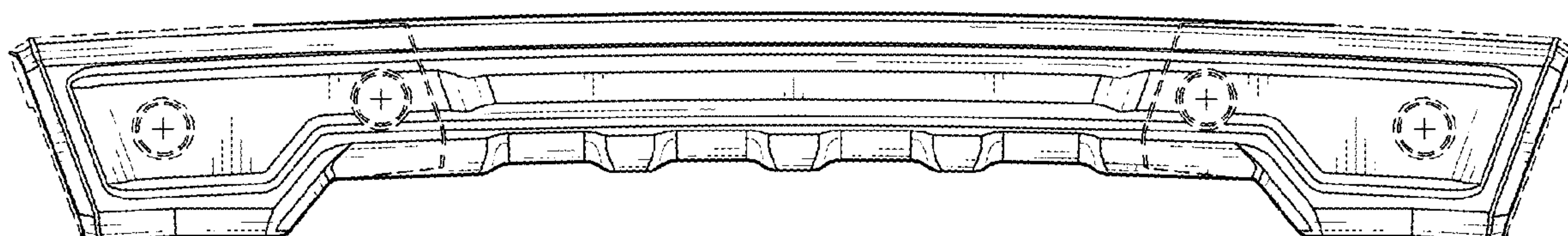


FIG. 7

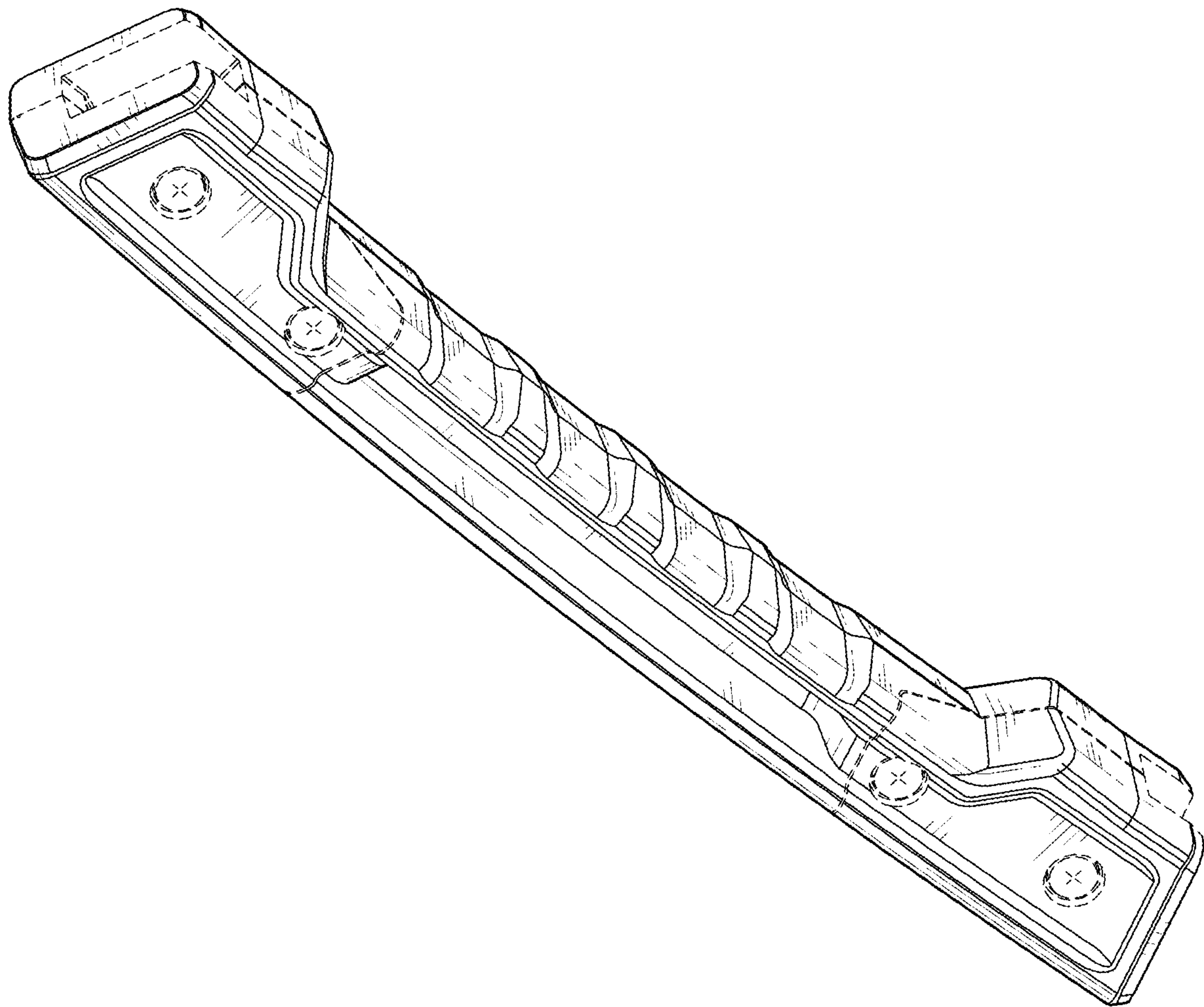


FIG. 8

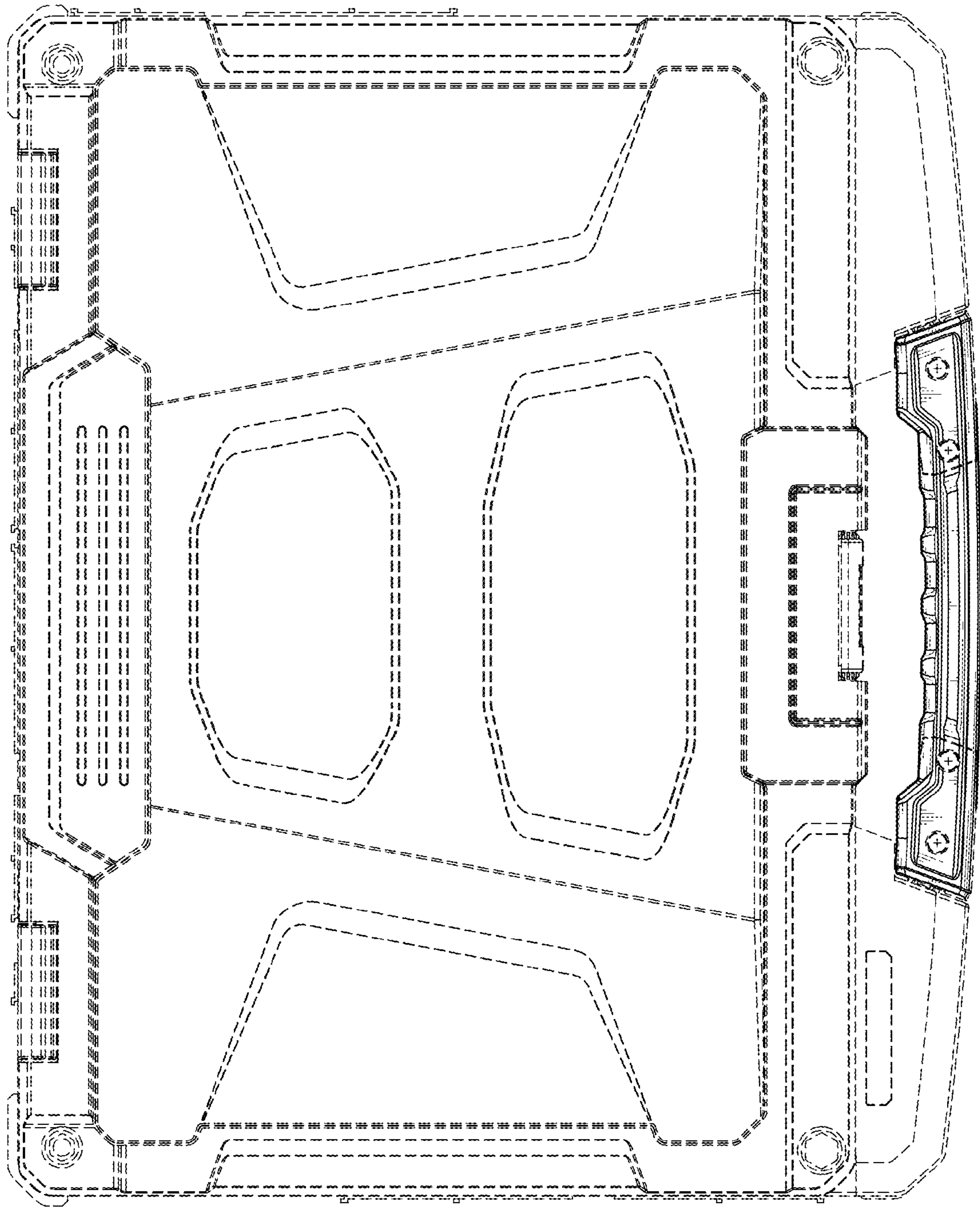


FIG. 9

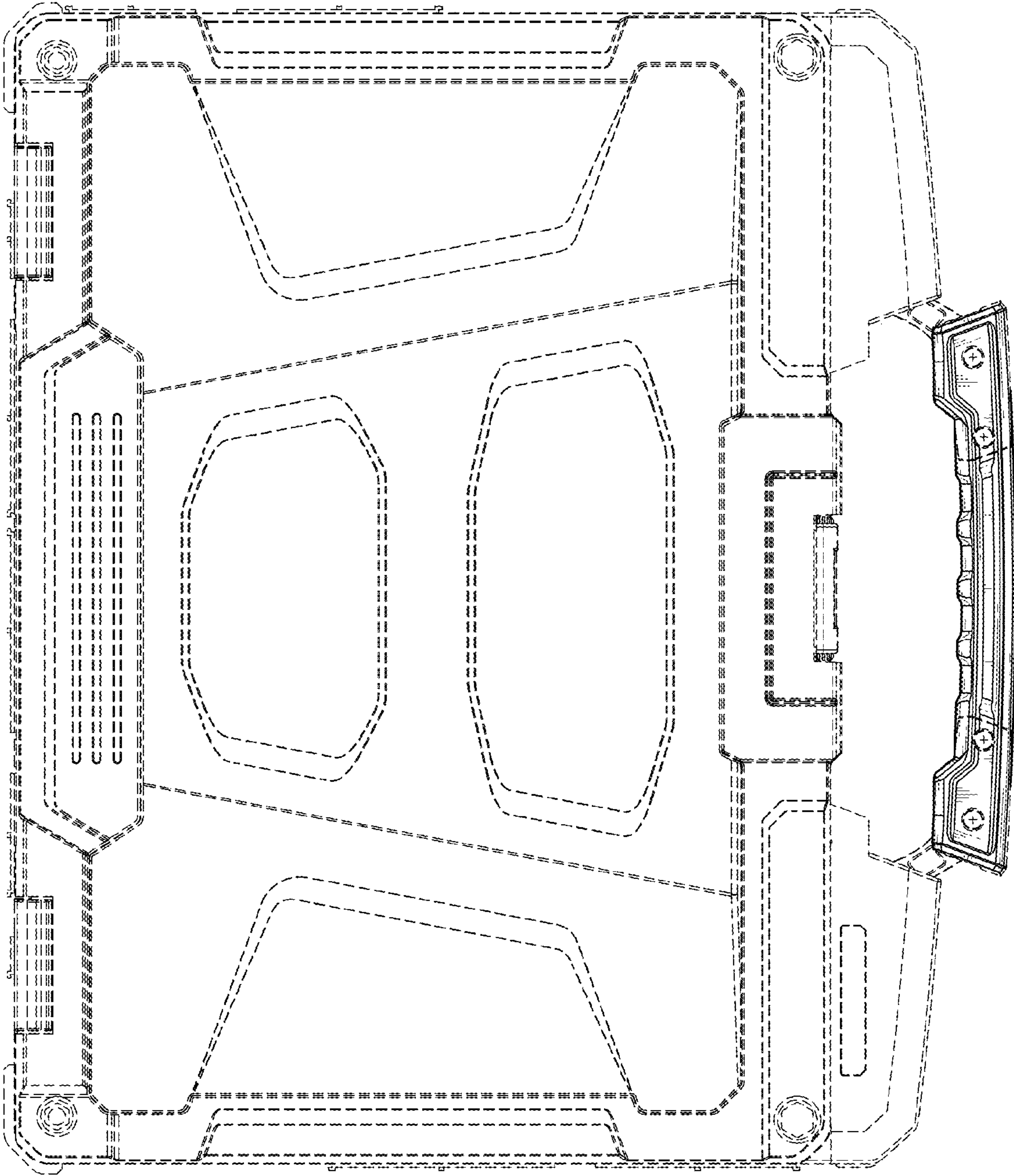


FIG. 10