



US00D938956S

(12) **United States Design Patent**
Paul

(10) **Patent No.:** **US D938,956 S**

(45) **Date of Patent:** **** Dec. 21, 2021**

(54) **BRACKET FOR MOUNTING COMPONENT TO TABLET**

D910,638 S * 2/2021 Kuo D14/439
D911,348 S * 2/2021 Lu D14/439
D912,058 S * 3/2021 Lu D14/439

(71) Applicant: **7 ARROWS HOLDINGS LLC**,
Monticello, FL (US)

* cited by examiner

(72) Inventor: **Erik William Paul**, Monticello, FL
(US)

Primary Examiner — Austin Murphy

(74) *Attorney, Agent, or Firm* — Chad D Tillman; Tillman
Wright, PLLC

(73) Assignee: **7 ARROWS HOLDINGS LLC**,
Monticello, FL (US)

(57) **CLAIM**

(**) Term: **15 Years**

The ornamental design for a bracket for mounting component to tablet, as shown and described.

(21) Appl. No.: **29/716,931**

(22) Filed: **Dec. 13, 2019**

DESCRIPTION

(51) **LOC (13) Cl.** **14-02**

(52) **U.S. Cl.**
USPC **D14/439**

(58) **Field of Classification Search**
USPC D14/341–347, 424, 425, 432–453, 464,
D14/468, 469, 471, 496, 511, 138 AA,
D14/138 AD, 138 C, 138 G, 203.1–203.8,
D14/217, 238.1, 248, 250, 257, 299;
361/679.01, 679.02, 679.03, 679.3,
361/679.55, 679.56; 455/550.1, 556.1,
455/556.2, 575.1, 575.3–575.5, 575.8,
455/90.3
CPC . A45C 11/00; A45C 2011/003; B60R 11/024;
B60R 11/0252; F16M 13/00; F16M 11/00
See application file for complete search history.

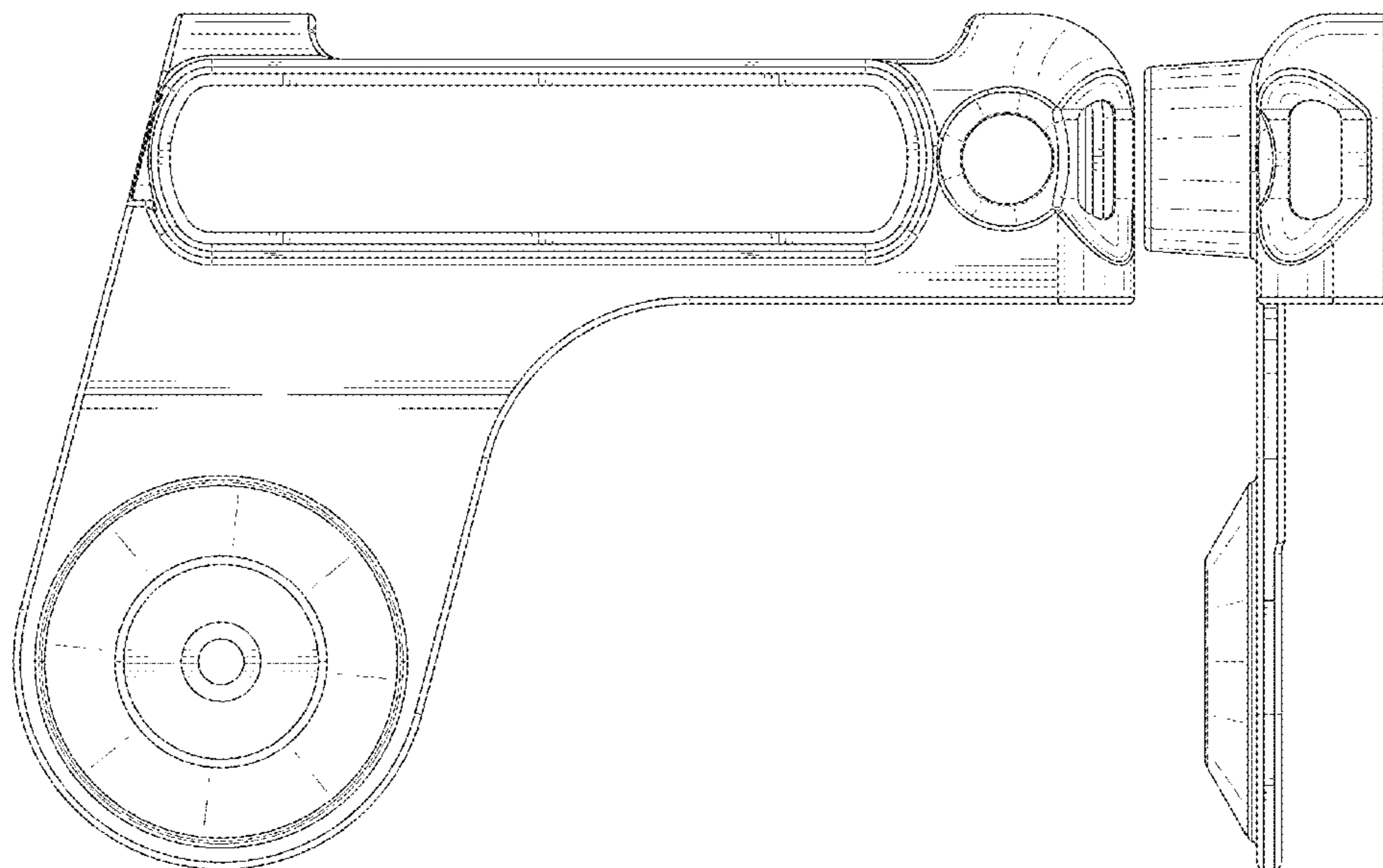
FIG. 1 is a perspective view of a front of an embodiment of a bracket for mounting component to tablet in accordance with the present invention.
FIG. 2 is a front elevational view of the bracket for mounting component to tablet of FIG. 1.
FIG. 3 is a back elevational view of the bracket for mounting component to tablet of FIG. 1.
FIG. 4 is a side elevational view of the bracket for mounting component to tablet of FIG. 1.
FIG. 5 is another side elevational view of the bracket for mounting component to tablet of FIG. 1, which view is opposite to that of FIG. 4.
FIG. 6 is a top view of the bracket for mounting component to tablet of FIG. 1.
FIG. 7 is a bottom view of the bracket for mounting component to tablet of FIG. 1; and,
FIG. 8 is an environmental view showing the bracket for mounting component to tablet and, in particular, showing the bracket mounting a component to a protective case in which the tablet is contained.
Dashed lines shown in the drawings form no part of the claimed design.

(56) **References Cited**

U.S. PATENT DOCUMENTS

D416,011 S * 11/1999 Miyahara D14/439
D562,827 S * 2/2008 Dongen D14/439
D826,236 S * 8/2018 Chang D14/439
D845,955 S * 4/2019 Zhong D14/439
D898,744 S * 10/2020 Lu D14/439

1 Claim, 8 Drawing Sheets



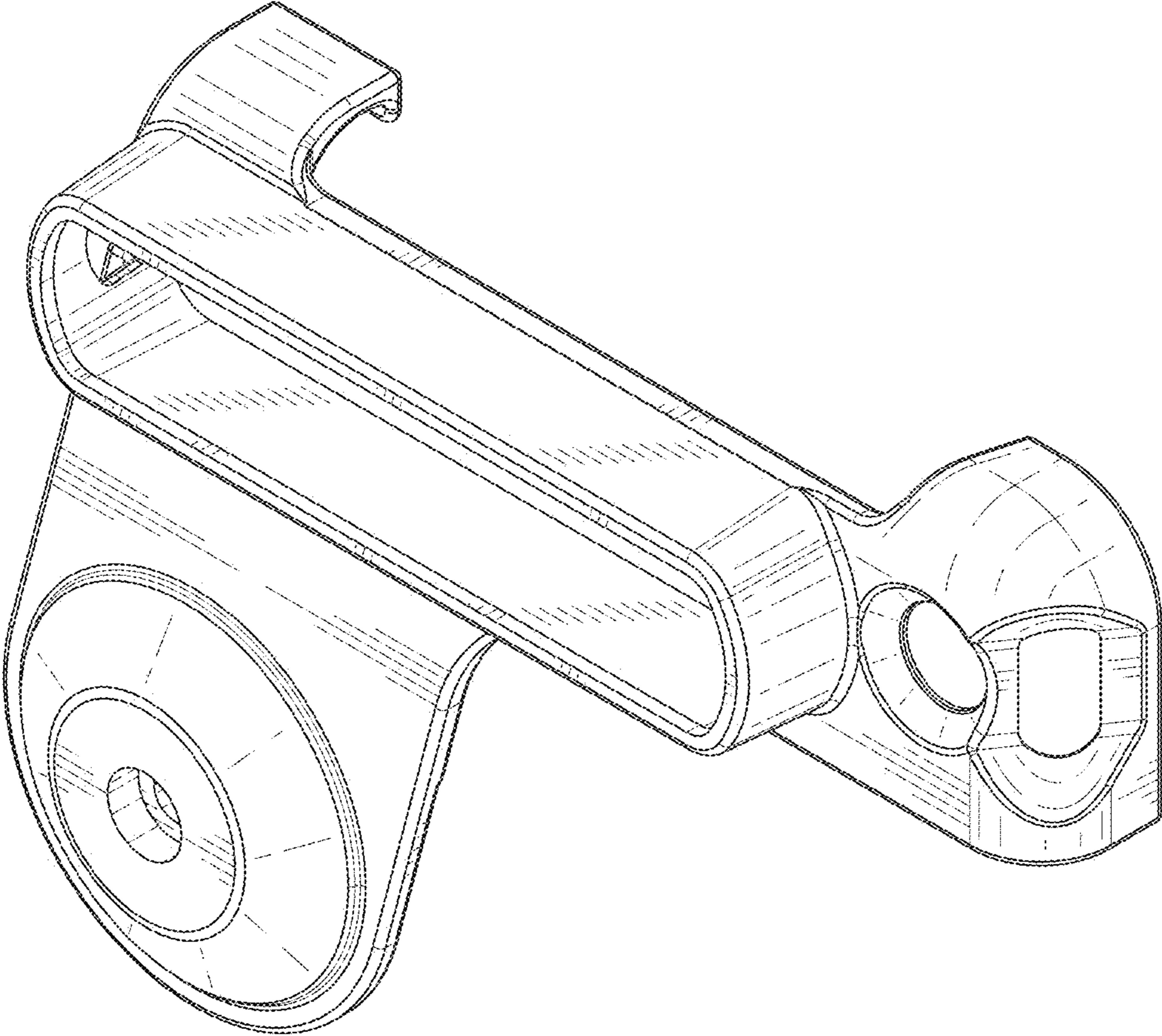


FIG. 1

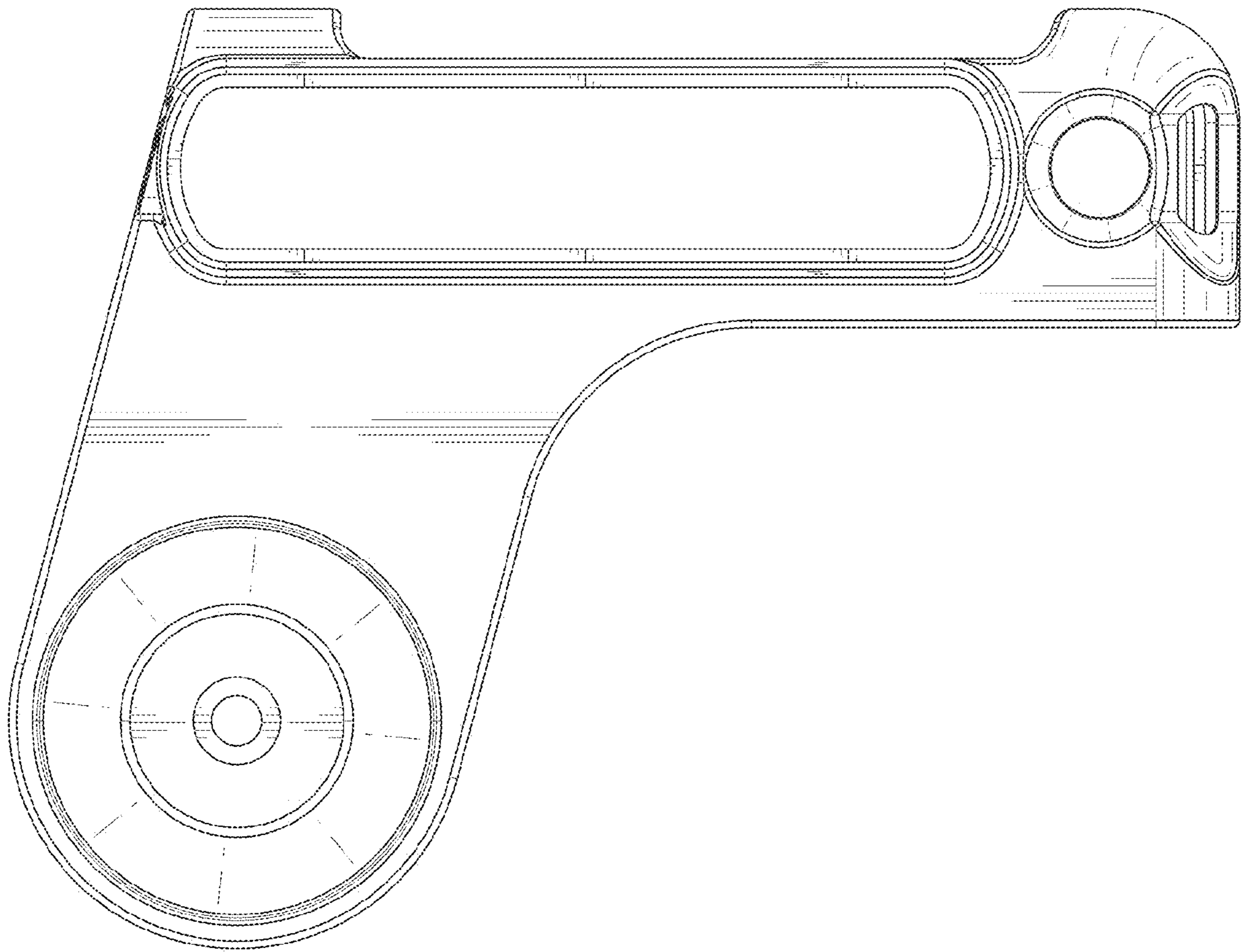


FIG. 2

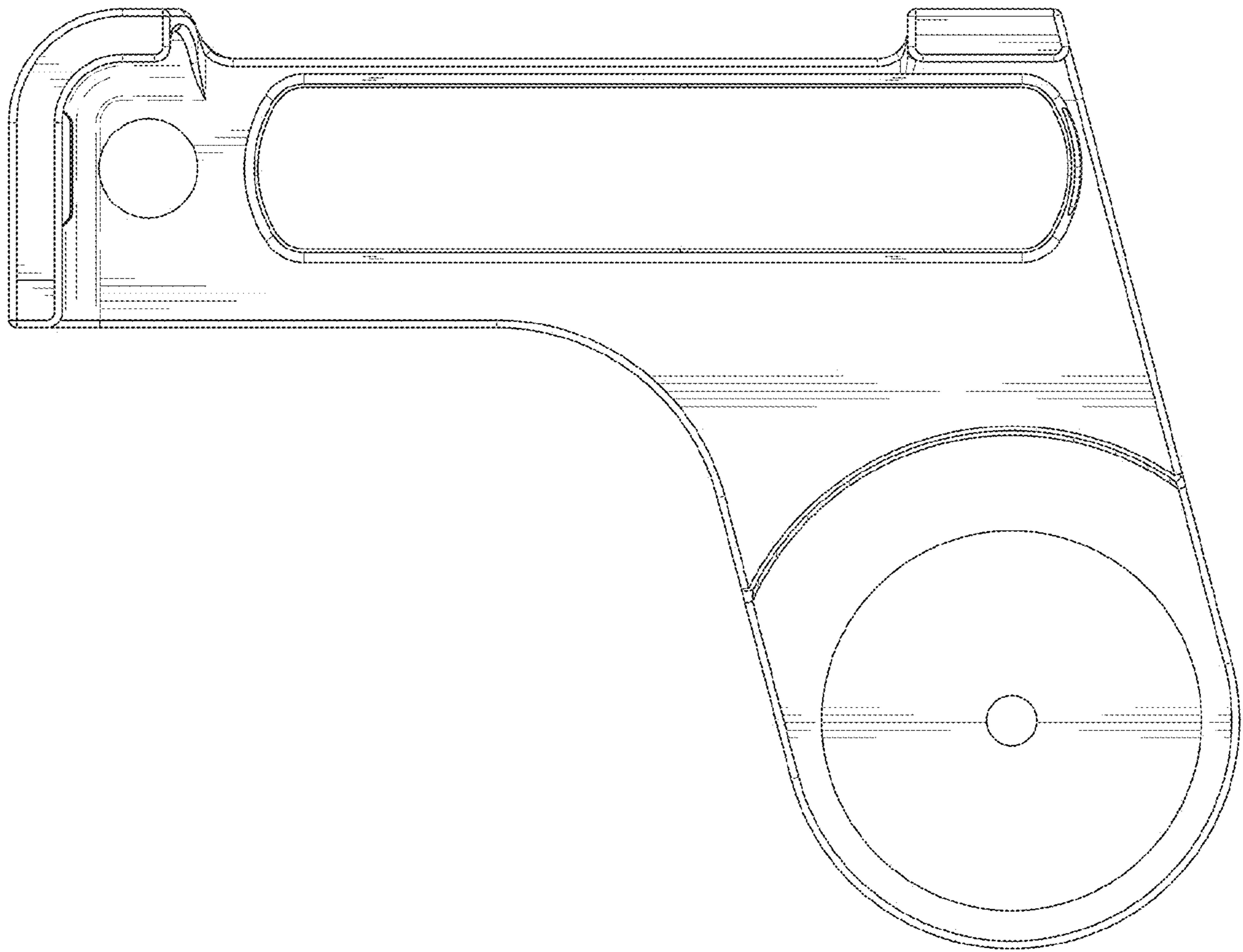


FIG. 3

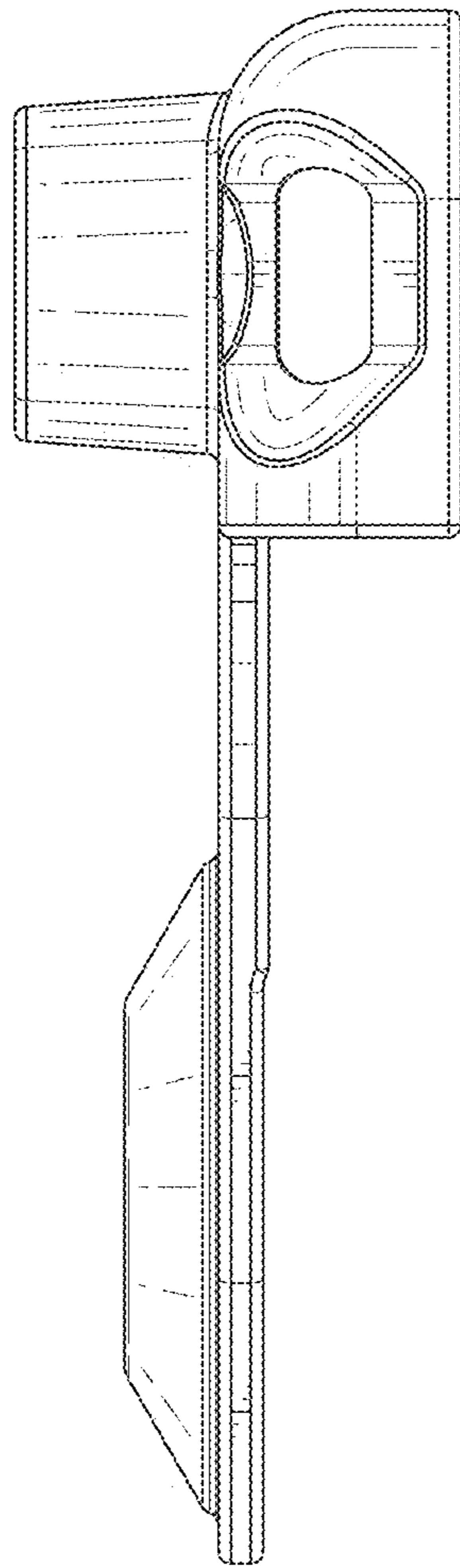


FIG. 4

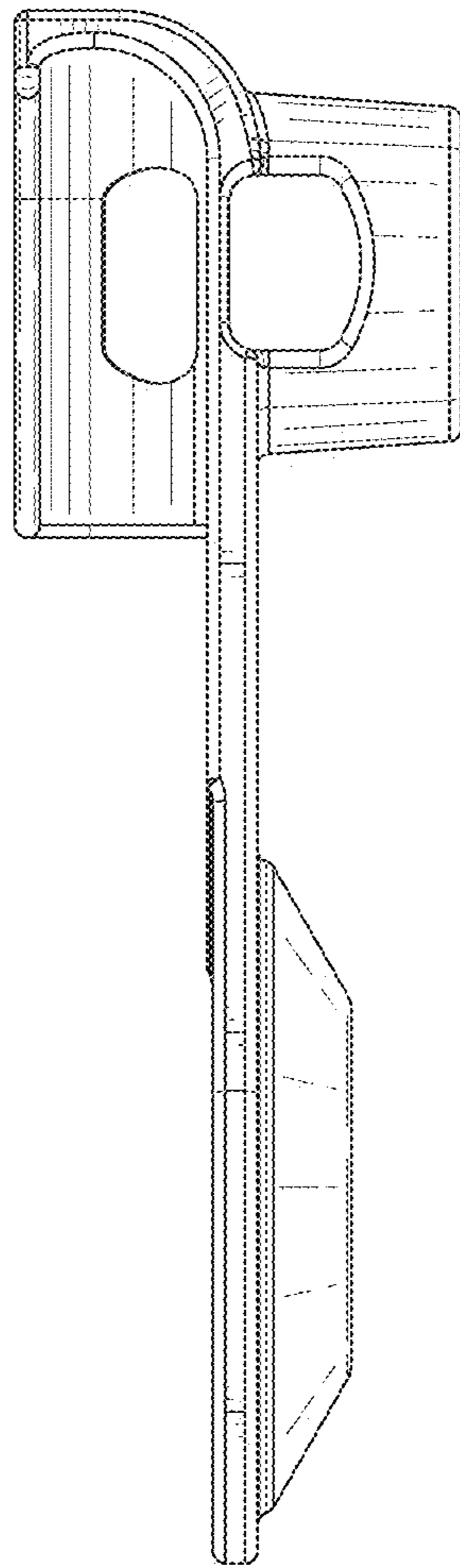


FIG. 5

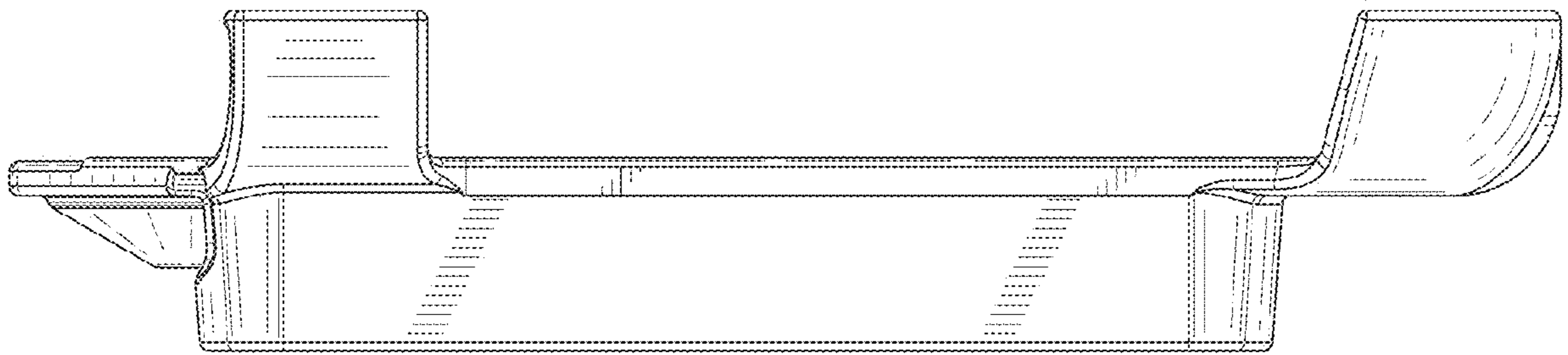


FIG. 6

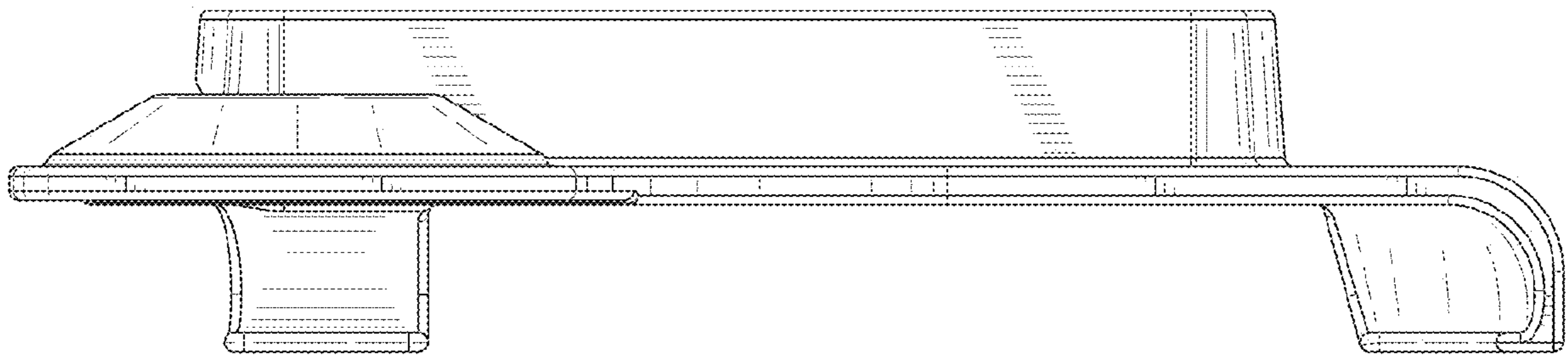


FIG. 7

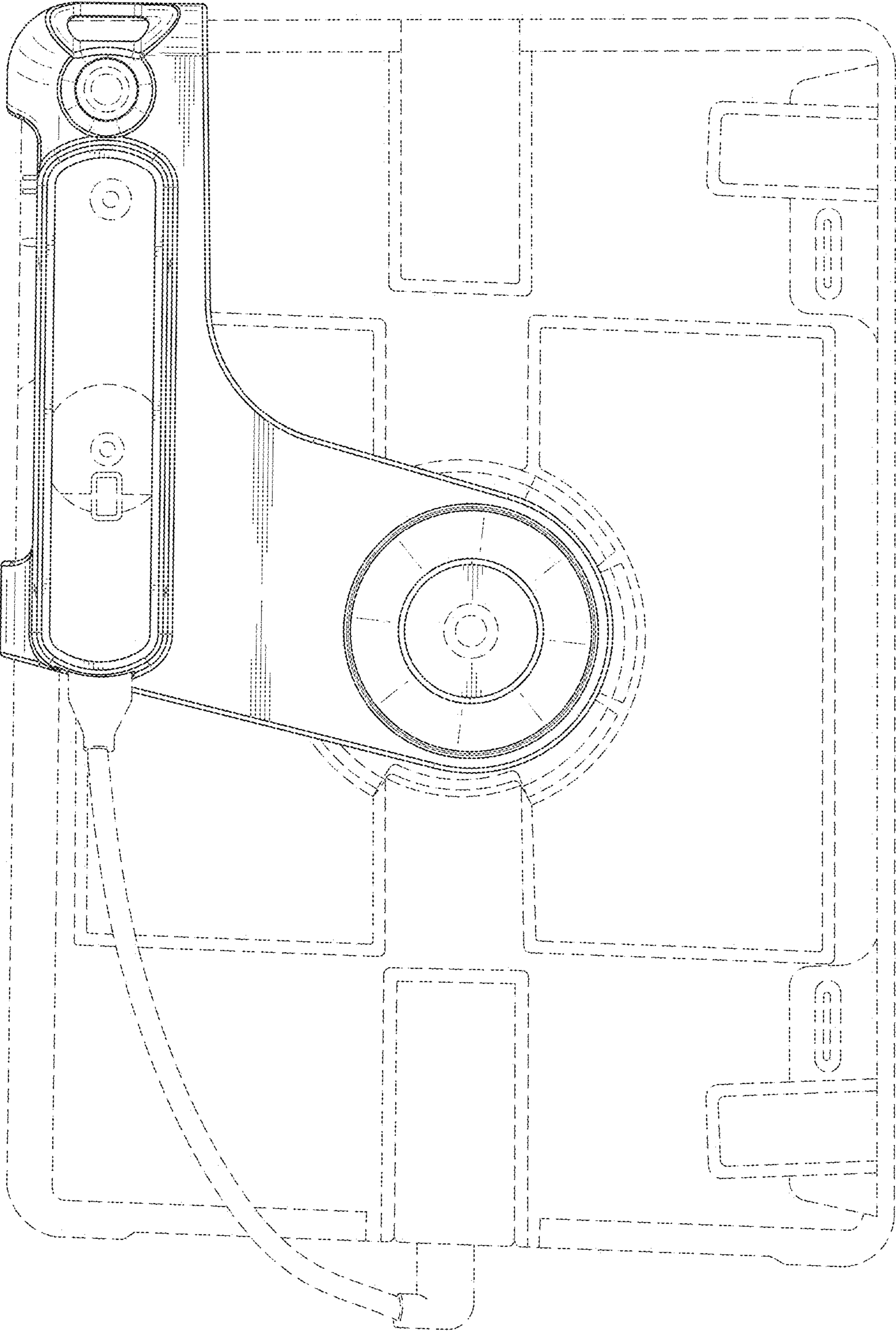


FIG. 8