



US00D938954S

(12) **United States Design Patent**
Zhang

(10) **Patent No.:** **US D938,954 S**

(45) **Date of Patent:** **** Dec. 21, 2021**

(54) **MULTI-FUNCTION HUB**

(71) Applicant: **C-SMARTLINK INFORMATION TECHNOLOGY CO., LIMITED**,
Shenzhen (CN)

(72) Inventor: **Wenfeng Zhang**, Shenzhen (CN)

(73) Assignee: **C-SMARTLINK INFORMATION TECHNOLOGY CO., LIMITED**,
Shenzhen (CN)

(**) Term: **15 Years**

(21) Appl. No.: **29/721,007**

(22) Filed: **Jan. 17, 2020**

(51) **LOC (13) Cl.** **14-99**

(52) **U.S. Cl.**
USPC **D14/433**

(58) **Field of Classification Search**
USPC ... D14/432, 433, 434, 435, 435.1, 436, 439,
D14/480.1-480.7, 484.1, 203.1-203.8,
D14/240, 242; D13/107, 108
CPC G06F 13/122; G06F 13/382; G06F 13/385;
G06F 13/4022; G06F 13/4282; G06F
1/1632; G06F 1/1684; H01R 25/006;
H05K 5/0278; G06K 19/07732
See application file for complete search history.

(56) **References Cited**

U.S. PATENT DOCUMENTS

D813,875 S *	3/2018	Liao	D14/434
D828,839 S *	9/2018	Zhang	D14/433
D844,618 S *	4/2019	Liao	D14/434
D854,544 S *	7/2019	Liao	D14/434
D855,054 S *	7/2019	Turksu	D14/433
D855,616 S *	8/2019	Chin	D14/433
D862,473 S *	10/2019	Liu	D14/433
D864,205 S *	10/2019	Wang	D14/433
D864,208 S *	10/2019	Duan	D14/433
D864,964 S *	10/2019	Lyu	D14/433
D866,557 S *	11/2019	Xiong	D14/433

D880,480 S *	4/2020	Liao	D14/433
D881,192 S *	4/2020	Ma	D14/433
D882,578 S *	4/2020	Zhang	D14/433
D885,393 S *	5/2020	Duan	D14/433
D885,394 S *	5/2020	Duan	D14/433
D886,105 S *	6/2020	Duan	D14/433
D890,759 S *	7/2020	Fan	D14/433
D899,363 S *	10/2020	Wu	D13/110
D900,111 S *	10/2020	Wu	D14/433
D916,093 S *	4/2021	Liao	D14/433
D916,094 S *	4/2021	Liao	D14/433

(Continued)

OTHER PUBLICATIONS

C-Smartlink UC2101A 8 Ports USB-C Hub . . . [online]. Original publication date unknown. [Retrieved from the Internet Aug. 10, 2021.] <URL: <https://www.c-smartlink.com/product-uc2101a.html>>.*

Primary Examiner — Rebekah A Caruso

(57) **CLAIM**

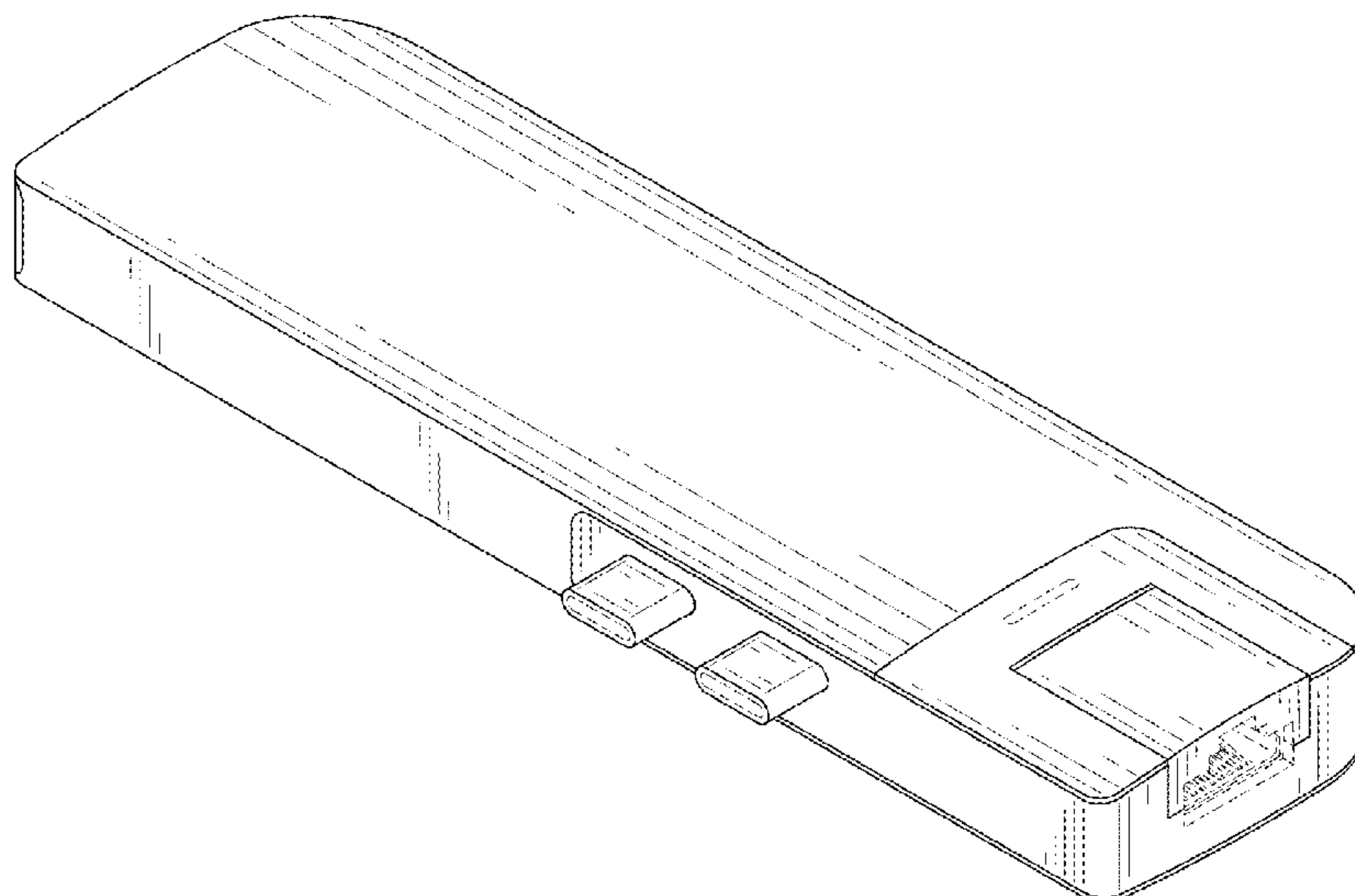
The ornamental design for a multi-function hub, as shown and described.

DESCRIPTION

FIG. 1 is a perspective view of a multi-function hub showing my new design;
FIG. 2 is another perspective view thereof;
FIG. 3 is a front elevational view thereof;
FIG. 4 is a rear elevational view thereof;
FIG. 5 is a left side elevational view thereof;
FIG. 6 is a right side elevational view thereof;
FIG. 7 is a top plan view thereof;
FIG. 8 is a bottom plan view thereof; and,
FIG. 9 is a perspective view of the multi-function hub in a second state.

The broken lines in the drawings are for the purpose of illustrating portions of the multi-function hub that form no part of the claimed design.

1 Claim, 9 Drawing Sheets



(56)

References Cited

U.S. PATENT DOCUMENTS

D918,211 S *	5/2021	Liao	D14/433
D919,627 S *	5/2021	Turksu	D14/433
D923,009 S *	6/2021	Xiong	D14/433
D925,540 S *	7/2021	Feng	D14/433
D929,997 S *	9/2021	Liu	D14/433
D929,998 S *	9/2021	Liao	D14/433

* cited by examiner

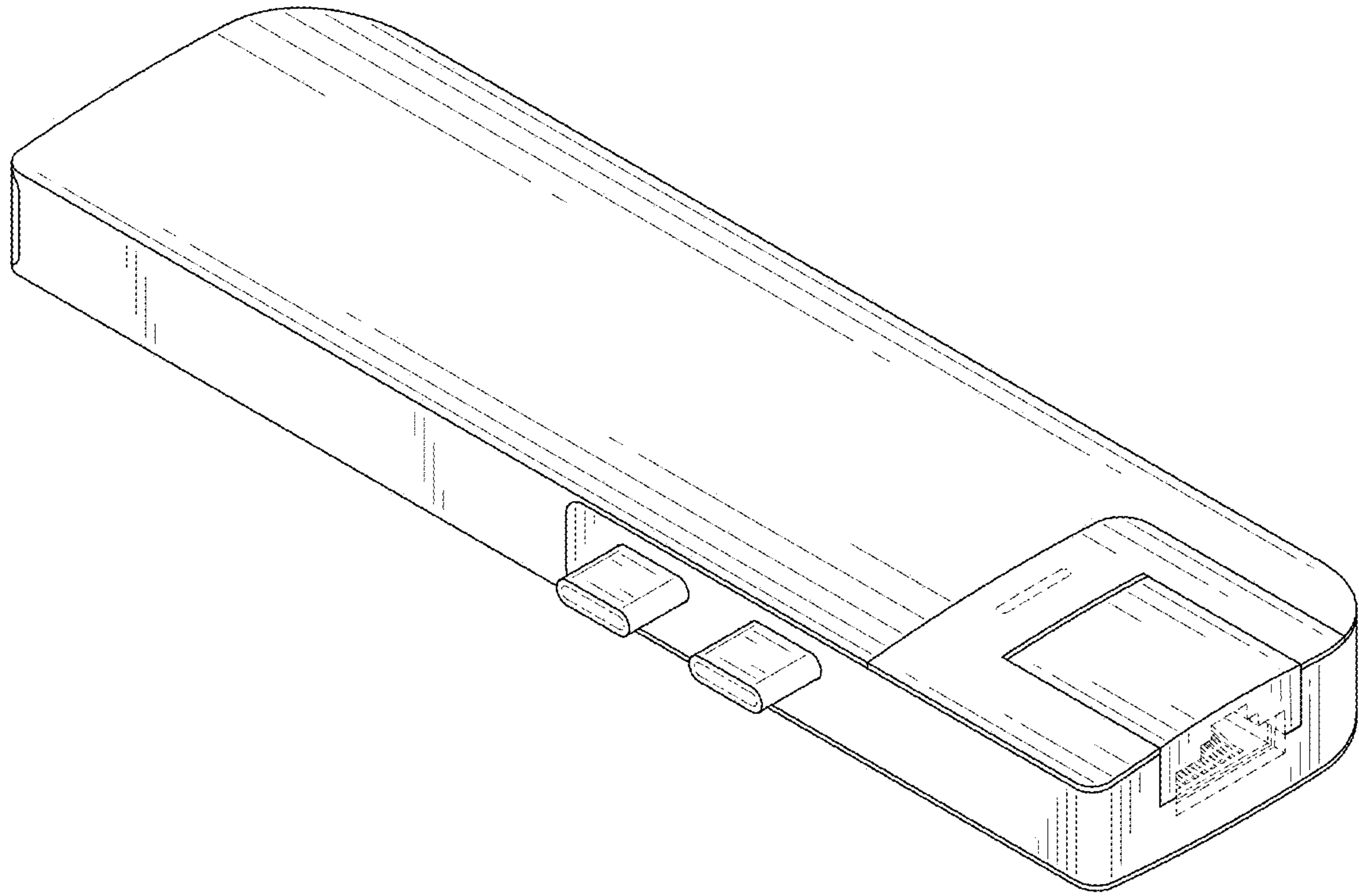


FIG. 1

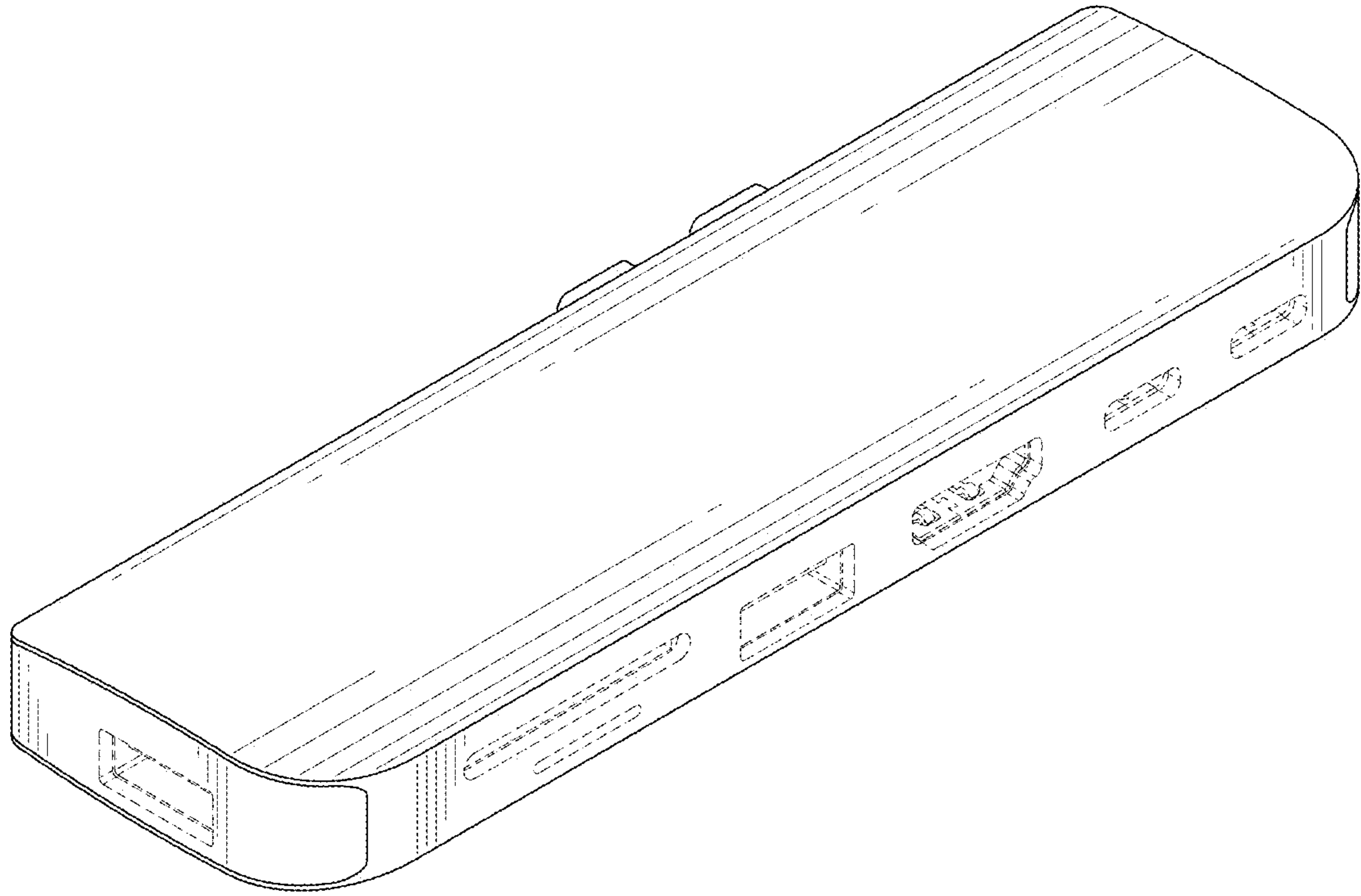


FIG. 2

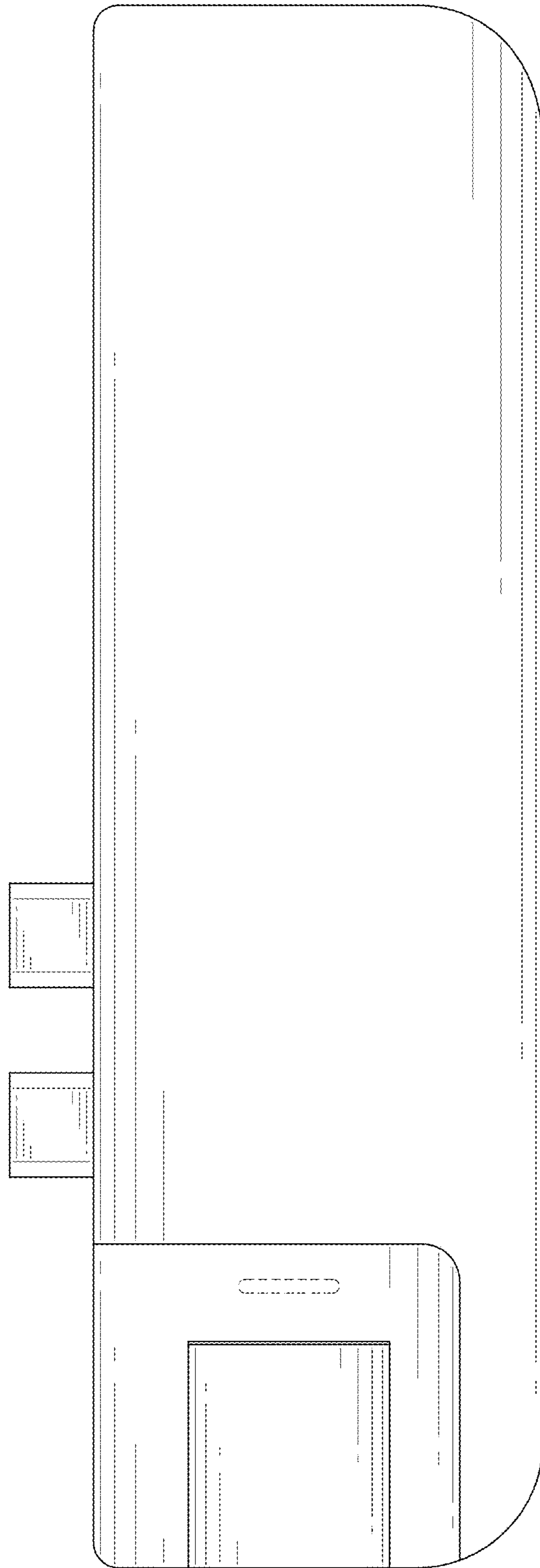


FIG. 3

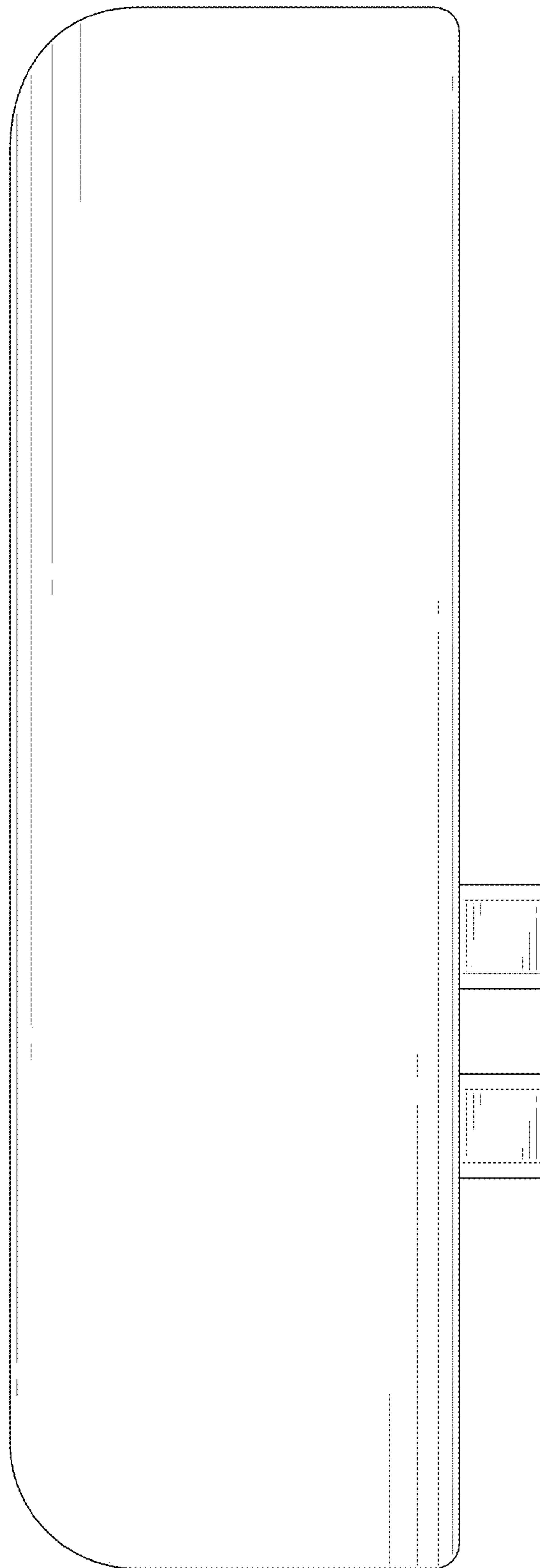


FIG. 4

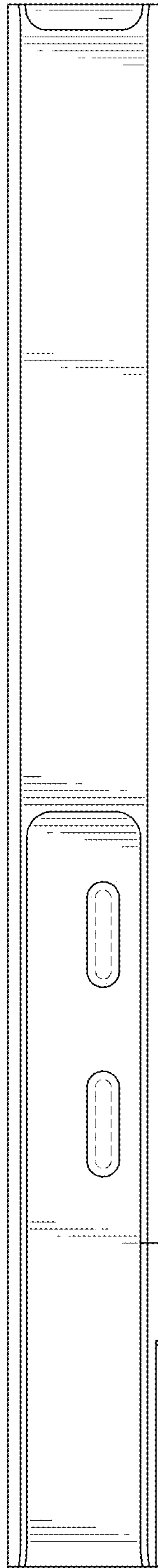


FIG. 5

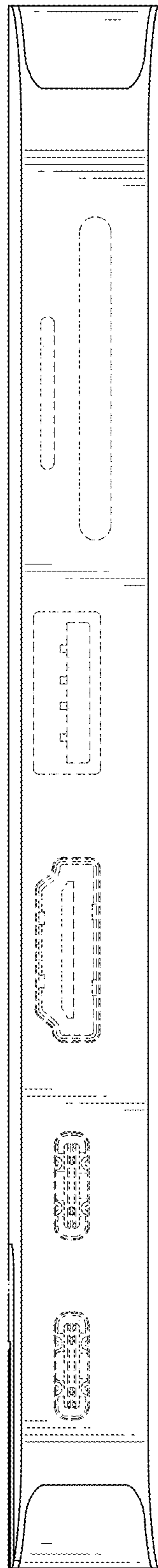


FIG. 6

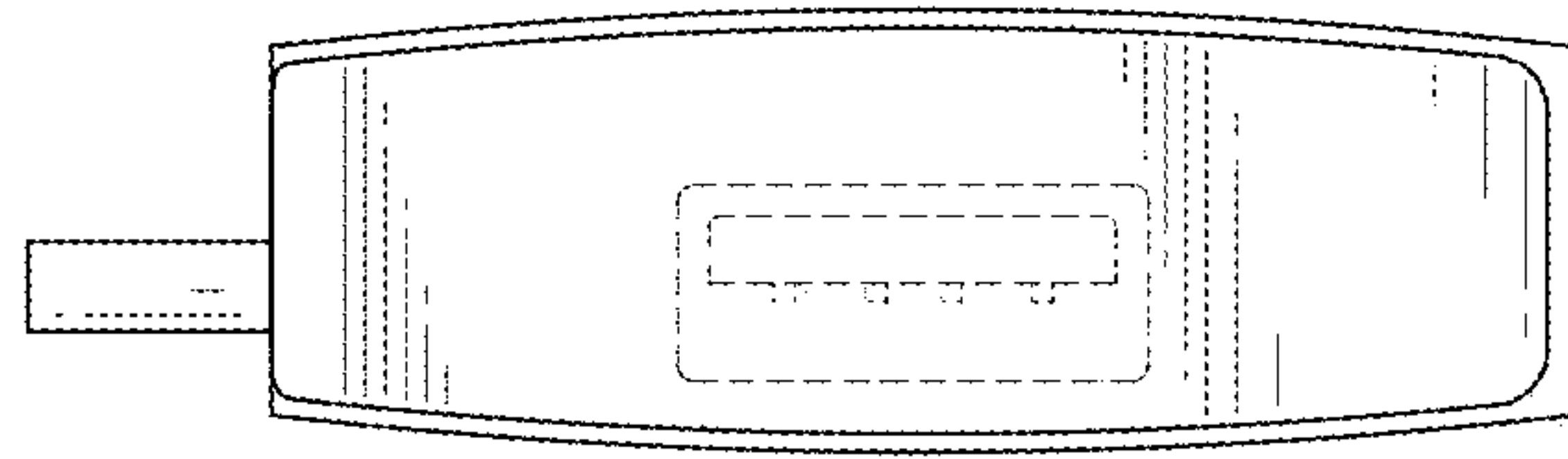


FIG. 7

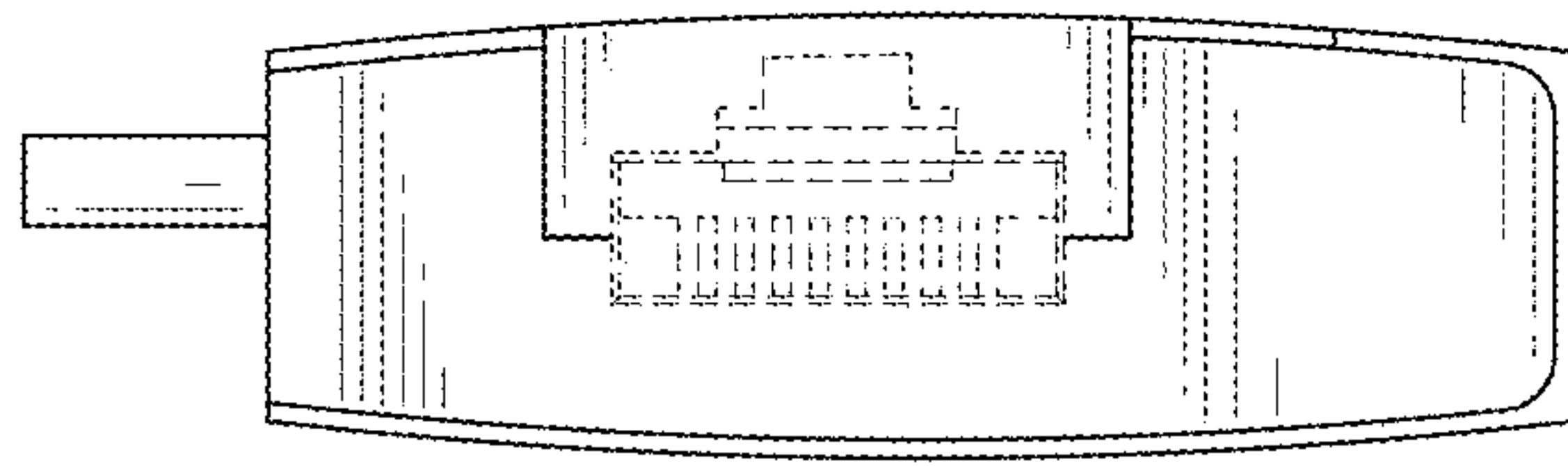


FIG. 8

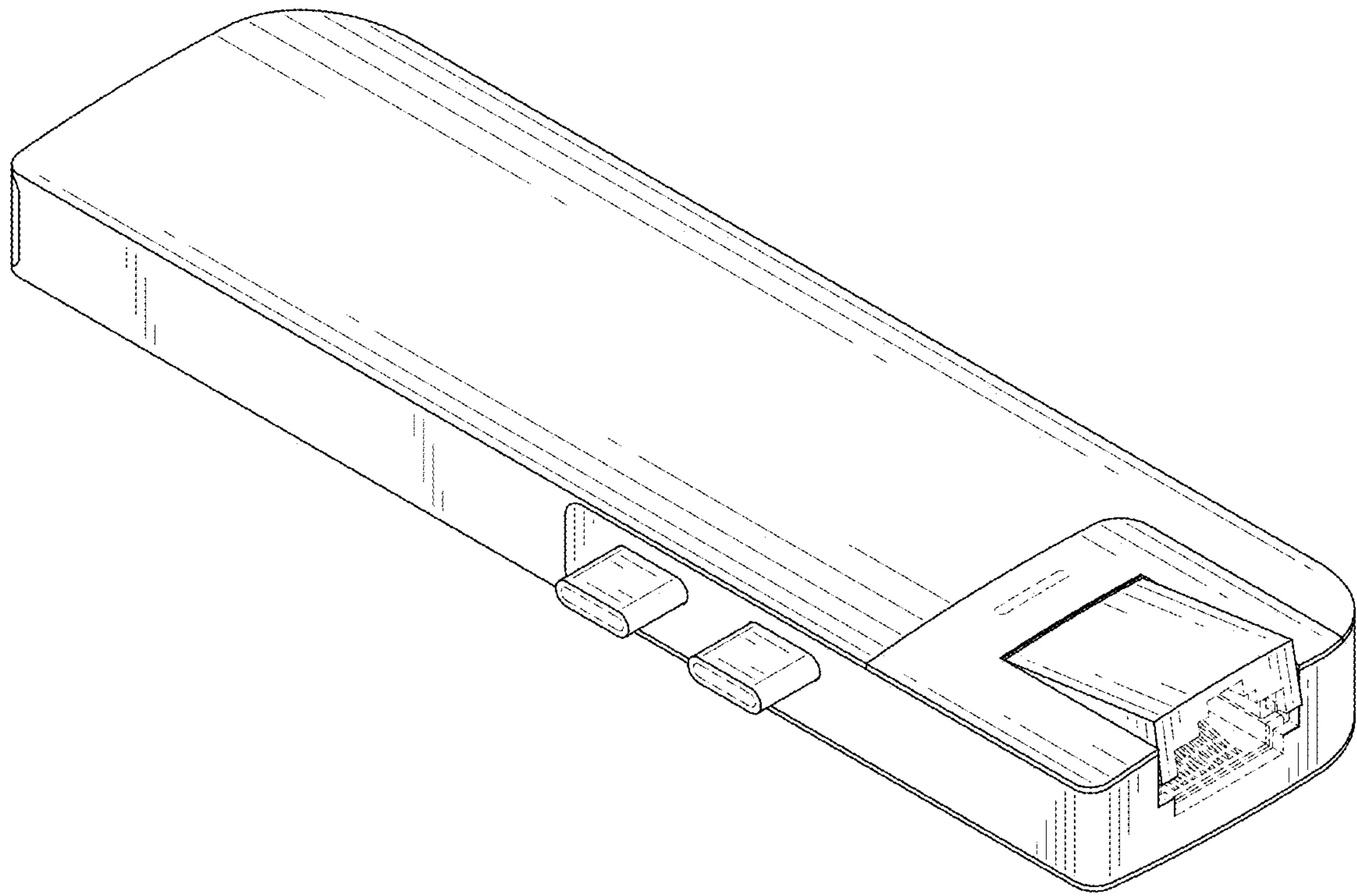


FIG. 9