



US00D938950S

(12) **United States Design Patent** (10) **Patent No.:** **US D938,950 S**
Yoon et al. (45) **Date of Patent:** **** Dec. 21, 2021**

(54) **COMPUTER**

(71) Applicant: **HEWLETT-PACKARD DEVELOPMENT COMPANY, L.P.**, Spring, TX (US)

(72) Inventors: **Daniel Yoon**, Palo Alto, CA (US); **Glenn A. Wong**, Palo Alto, CA (US); **John William Pennington, Jr.**, Palo Alto, CA (US)

(73) Assignee: **Hewlett-Packard Development Company, L.P.**, Spring, TX (US)

(**) Term: **15 Years**

(21) Appl. No.: **29/713,514**

(22) Filed: **Nov. 15, 2019**

(51) **LOC (13) Cl.** **14-02**

(52) **U.S. Cl.**
USPC **D14/336**

(58) **Field of Classification Search**
USPC D14/336, 337, 373, 374, 375, 376, 377, D14/125, 128, 129, 126, 127, 371, 372, D14/341
CPC G06F 1/1601; G06F 1/1605; G06F 1/162
See application file for complete search history.

(56) **References Cited**

U.S. PATENT DOCUMENTS

D678,874 S *	3/2013	Quijano	D14/337
D708,614 S *	7/2014	Huh	D14/374
D751,075 S *	3/2016	Ho	D14/374
D797,736 S *	9/2017	Chu	D14/374

(Continued)

FOREIGN PATENT DOCUMENTS

CN	303773906	*	8/2016
CN	304524657	*	3/2018
CN	304524658	*	3/2018

OTHER PUBLICATIONS

YouTube. Link: <https://www.youtube.com/watch?v=SVOO3W4WUCo>. Oct. 1, 2020. Unboxing HP All In One Desktop. (Year: 2020).*
(Continued)

Primary Examiner — Lauren D McVey
(74) *Attorney, Agent, or Firm* — Perry + Currier Inc

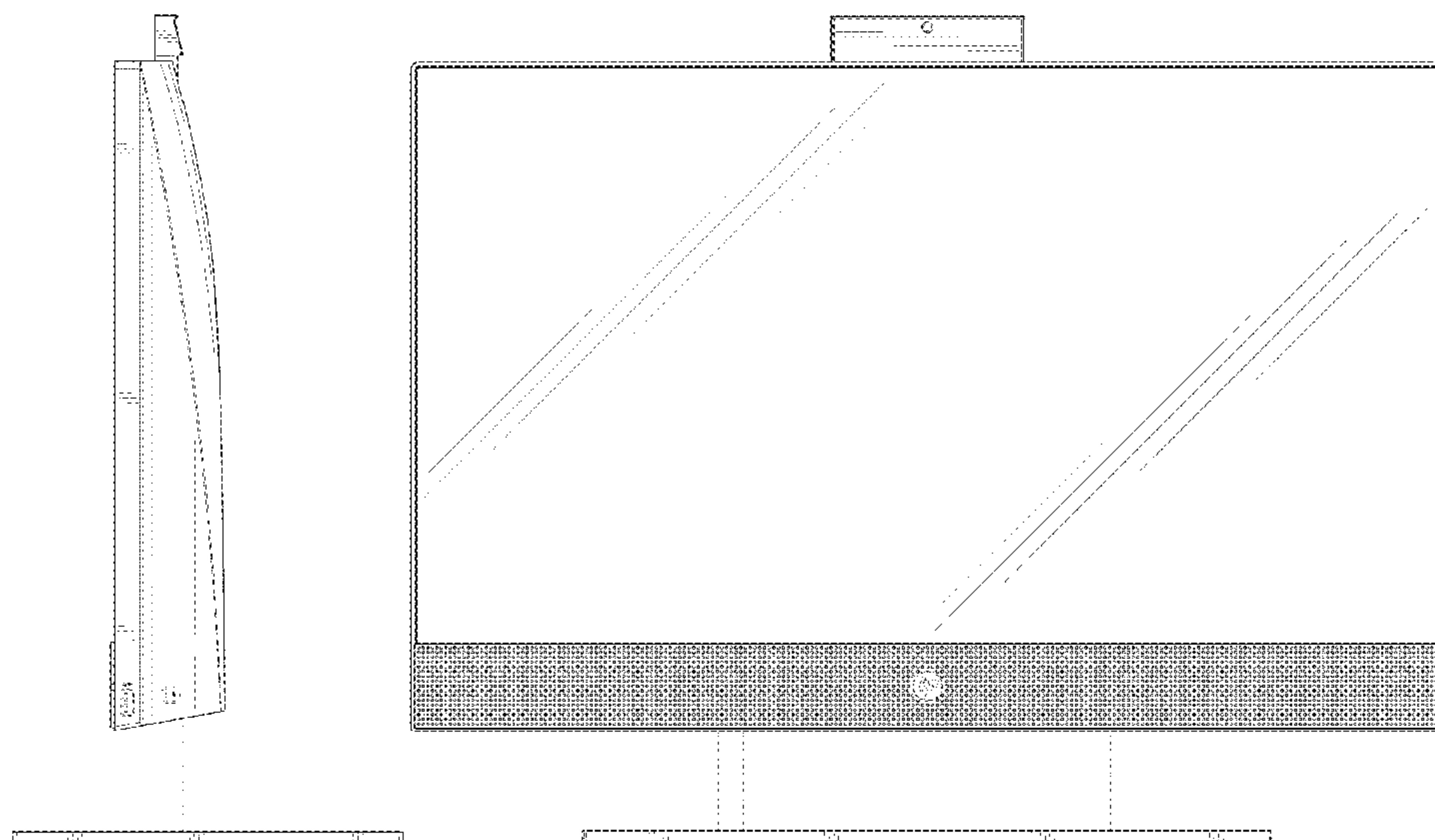
(57) **CLAIM**

The ornamental design for a computer, as shown and described.

DESCRIPTION

FIG. 1 is a front, left, top perspective view of a computer. FIG. 2 is a rear, left, bottom perspective view of the computer of FIG. 1. FIG. 3 is a left side view of the computer of FIG. 1. FIG. 4 is a right side view of the computer of FIG. 1. FIG. 5 is a front view of the computer of FIG. 1. FIG. 6 is a rear view of the computer of FIG. 1. FIG. 7 is a top view of the computer of FIG. 1. FIG. 8 is a bottom view of the computer of FIG. 1. FIG. 9 is a front, left, top perspective view of another computer. FIG. 10 is a rear, left, bottom perspective view of the computer of FIG. 9. FIG. 11 is a left side view of the computer of FIG. 9. FIG. 12 is a right side view of the computer of FIG. 9. FIG. 13 is a front view of the computer of FIG. 9. FIG. 14 is a rear view of the computer of FIG. 9. FIG. 15 is a top view of the computer of FIG. 9; and, FIG. 16 is a bottom view of the computer of FIG. 9. The broken lines immediately adjacent to the claim depict the bounds of the claimed design, while all other broken lines are directed to environment. The broken lines form no part of the claimed design. The “hp” lettering and icon forming part of the disclosure is a registered trademark of HP Hewlett Packard Group LLC.

1 Claim, 14 Drawing Sheets



(56)

References Cited

U.S. PATENT DOCUMENTS

D806,069 S * 12/2017 Peng D14/336
D810,744 S * 2/2018 Wang D14/374
D814,465 S * 4/2018 Kim D14/374
D816,673 S * 5/2018 Lim D14/374
D817,329 S * 5/2018 Chu D14/374
D827,644 S * 9/2018 Kim D14/377
D871,395 S * 12/2019 Yang D14/336
D888,054 S * 6/2020 Tai D14/374
D920,325 S * 5/2021 Andresen D14/336

OTHER PUBLICATIONS

Amazon. Link: https://www.amazon.com/HP-Processor-21-5-inch-Anti-Glare-22-df0022/dp/B08BXB1N1V/ref=sr_1_1?dchild=1&keywords=B08BXB1N1V&qid=1627322726&s=electronics&sr=1-1. Jul. 25, 2020. HP 22 All-in-One PC B08BXB1N1V. (Year: 2020).*

Amazon. Link: https://www.amazon.com/HP-27-Touchscreen-Quad-Core-i7-1165G7/dp/B099RDZP8T/ref=sr_1_1?dchild=1&keywords=B099RDZP8T&qid=1626972354&s=electronics&sr=1-1. Jul. 19, 2021. HP Pavilion All-in-One 27 Flagship 2021 Desktop Computer. (Year: 2021).*

Amazon. Link: https://www.amazon.com/HP-Desktop-Display-i7-10700-Wireless/dp/B0987ZPHZG/ref=sr_1_1?dchild=1&keywords=B0987ZPHZG&qid=1626972512&s=electronics&sr=1-1. Jun. 29, 2021. HP Envy 31.5" All-in-One Desktop PC. (Year: 2021).*

* cited by examiner

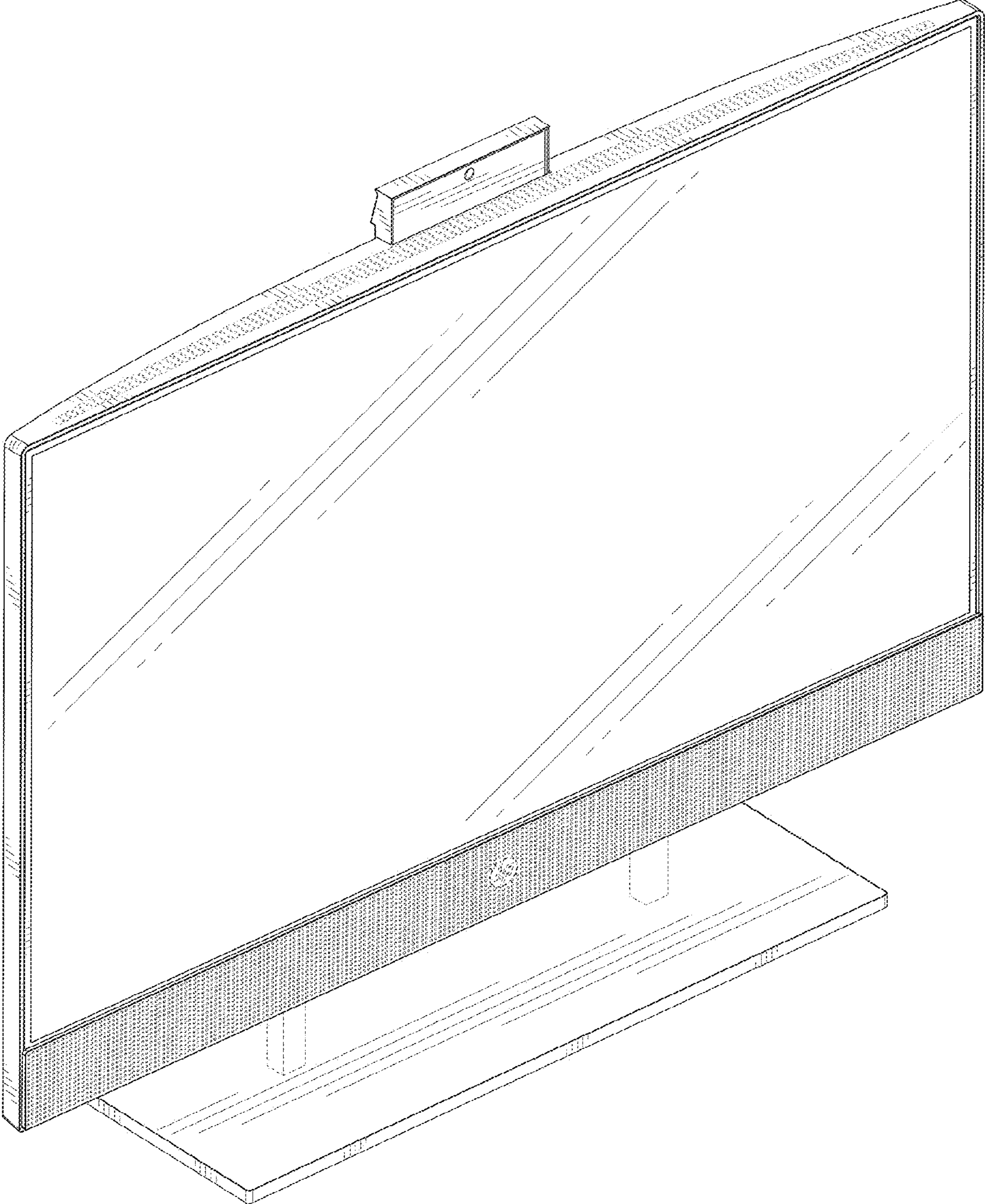


FIG. 1

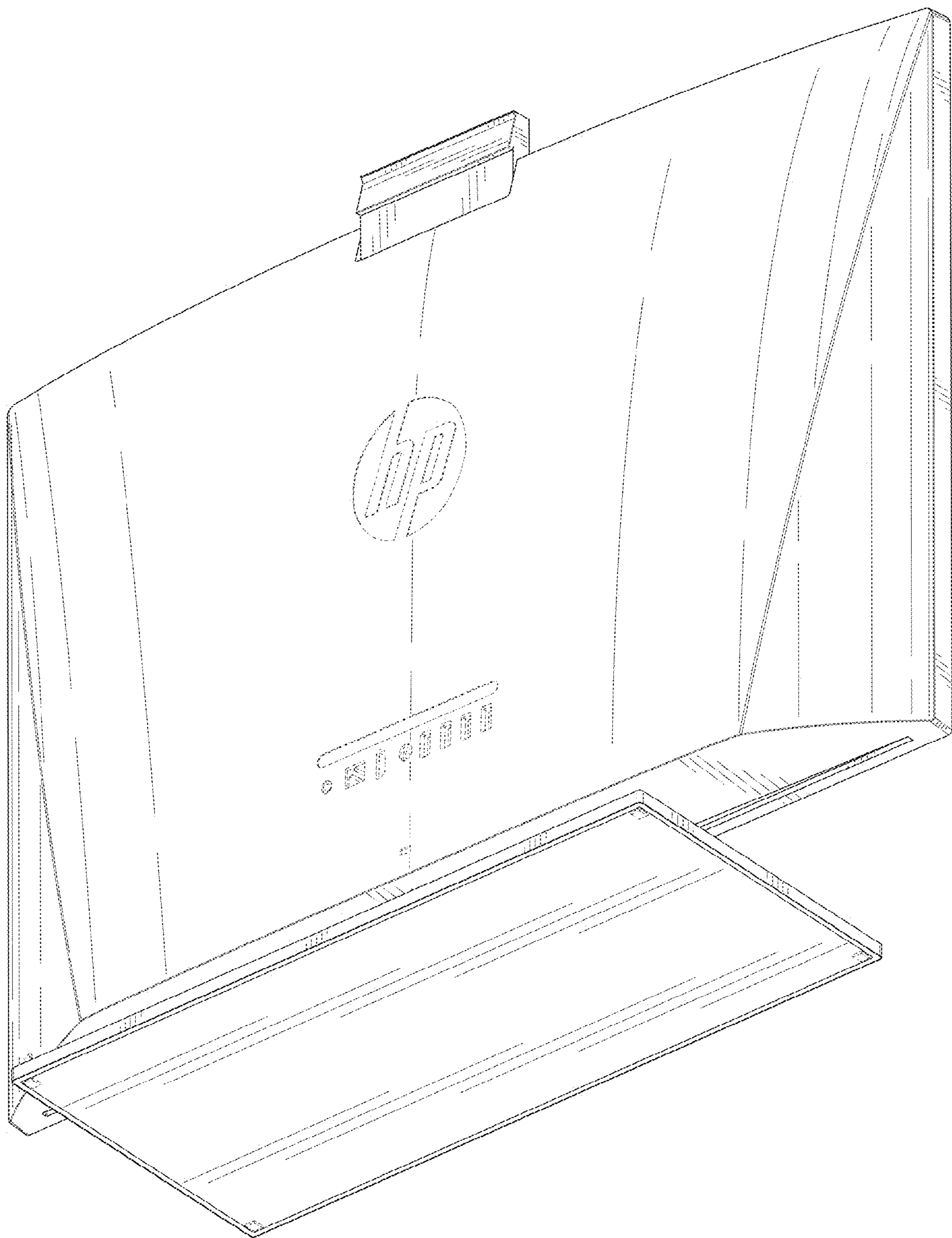


FIG. 2

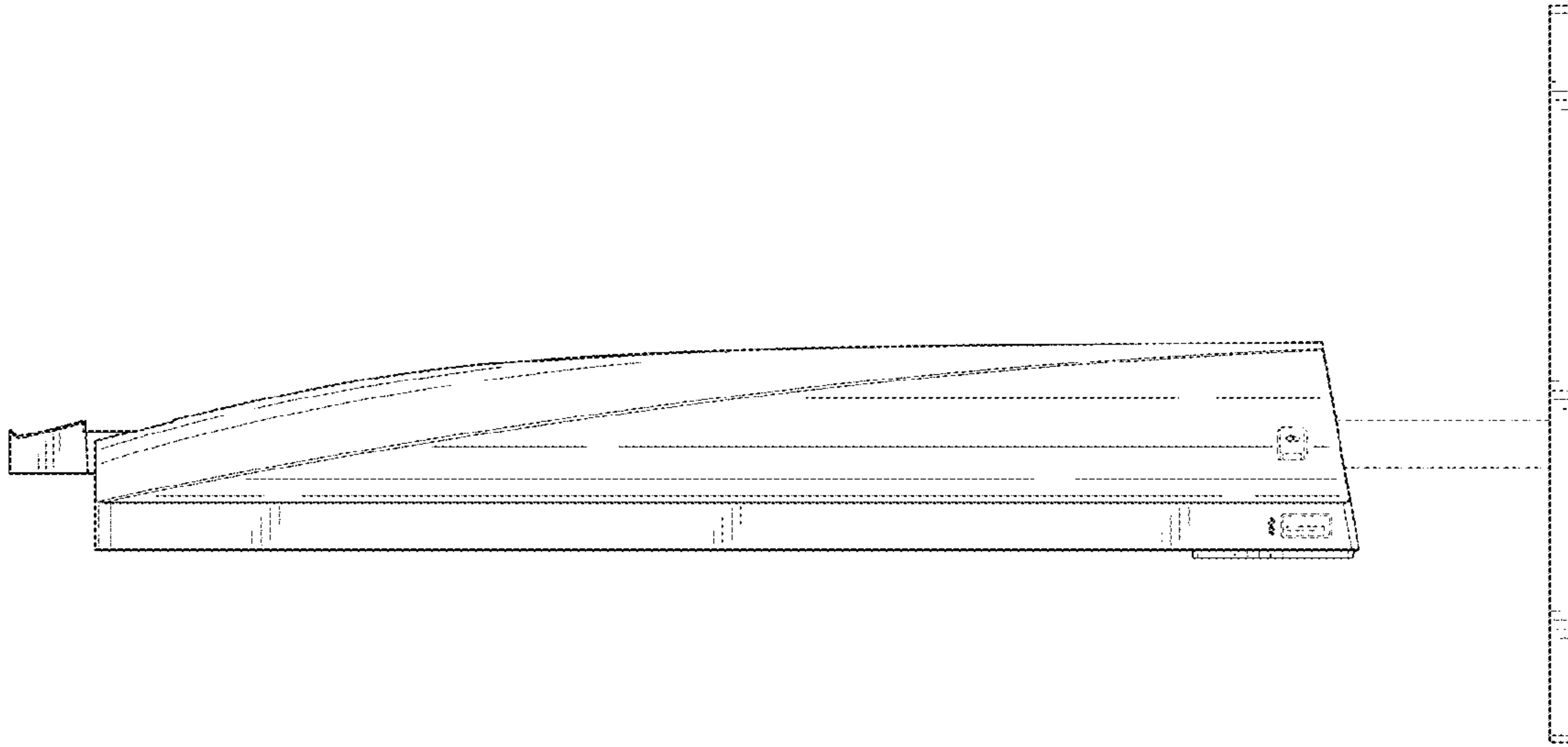


FIG. 4

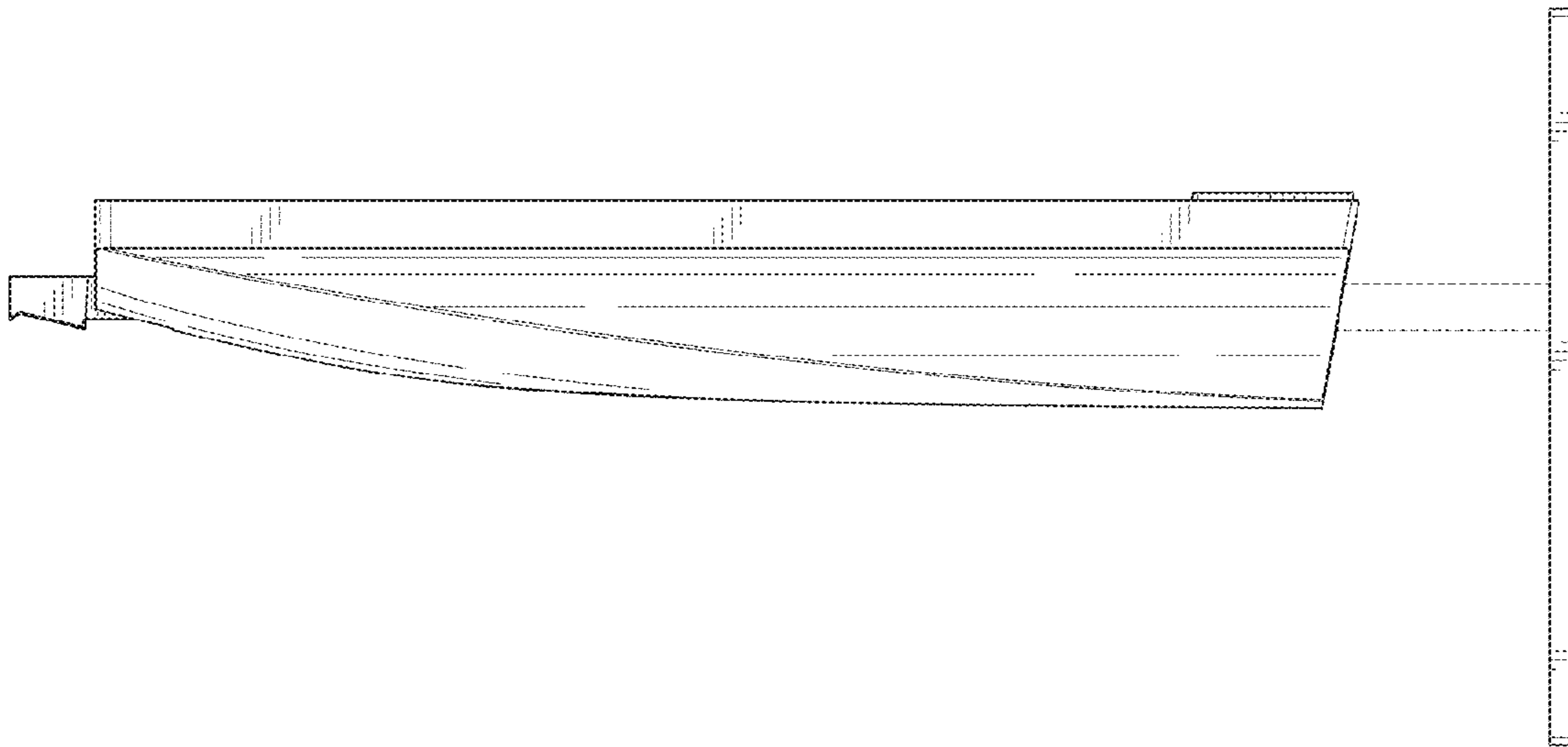


FIG. 3

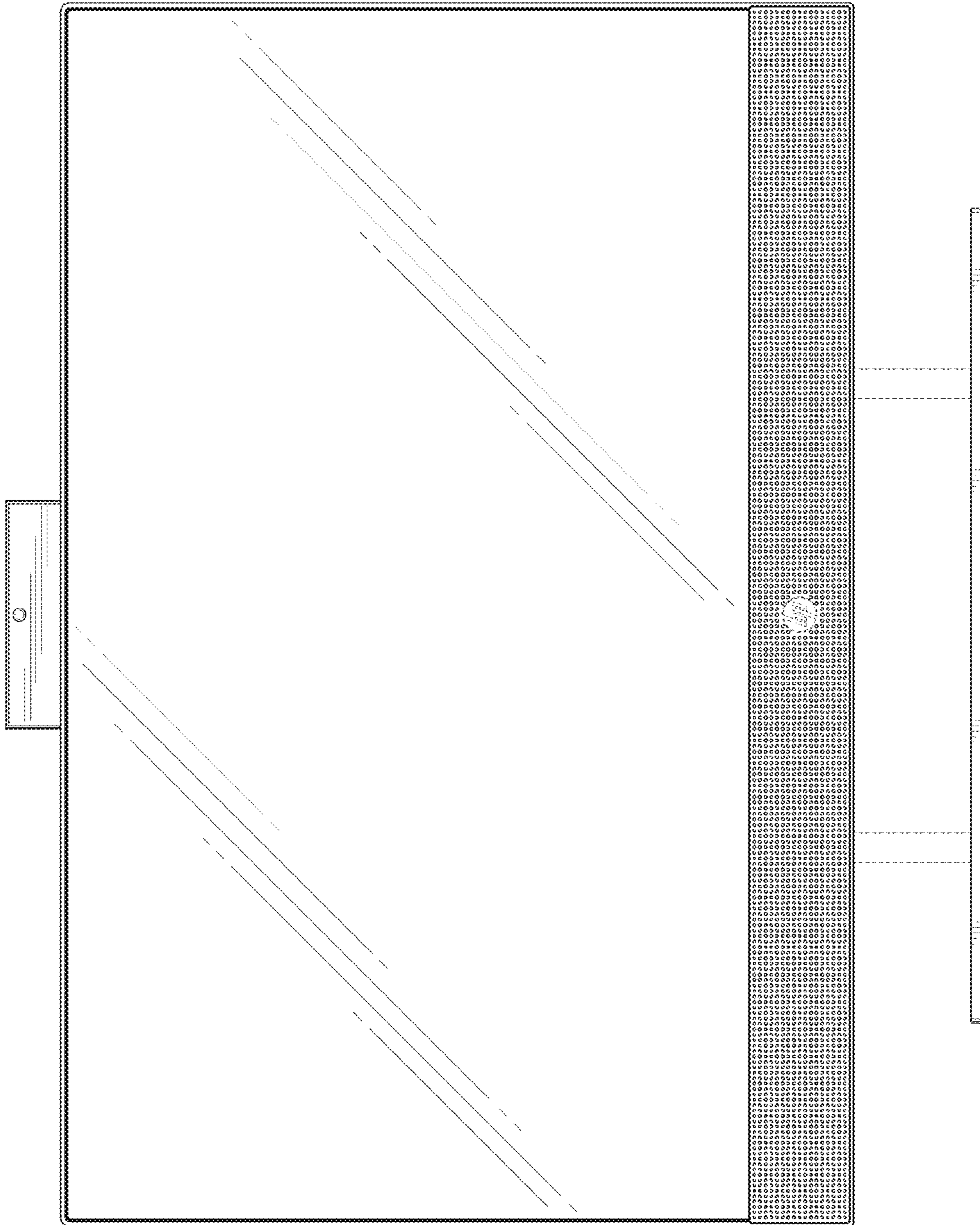


FIG. 5

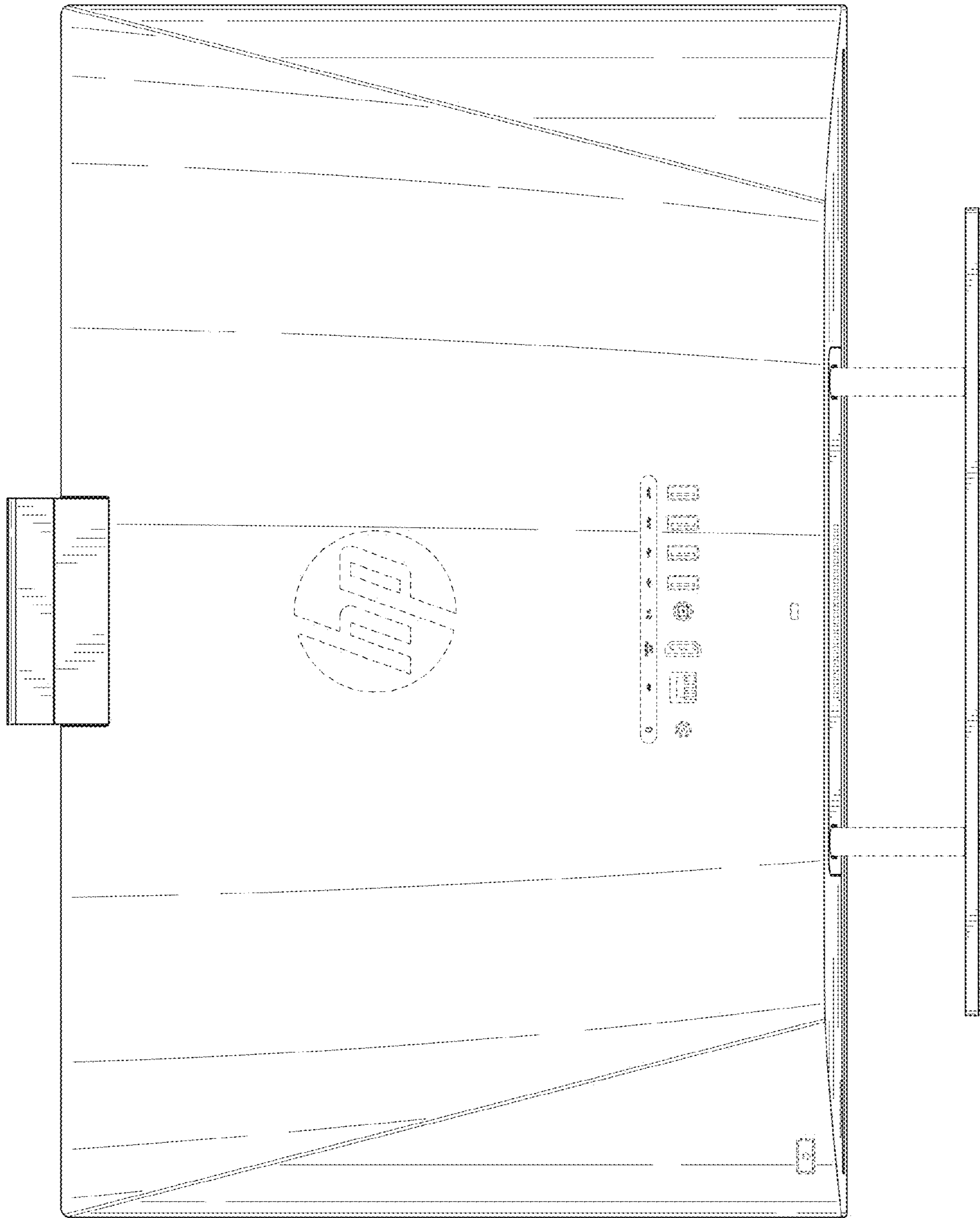


FIG. 6

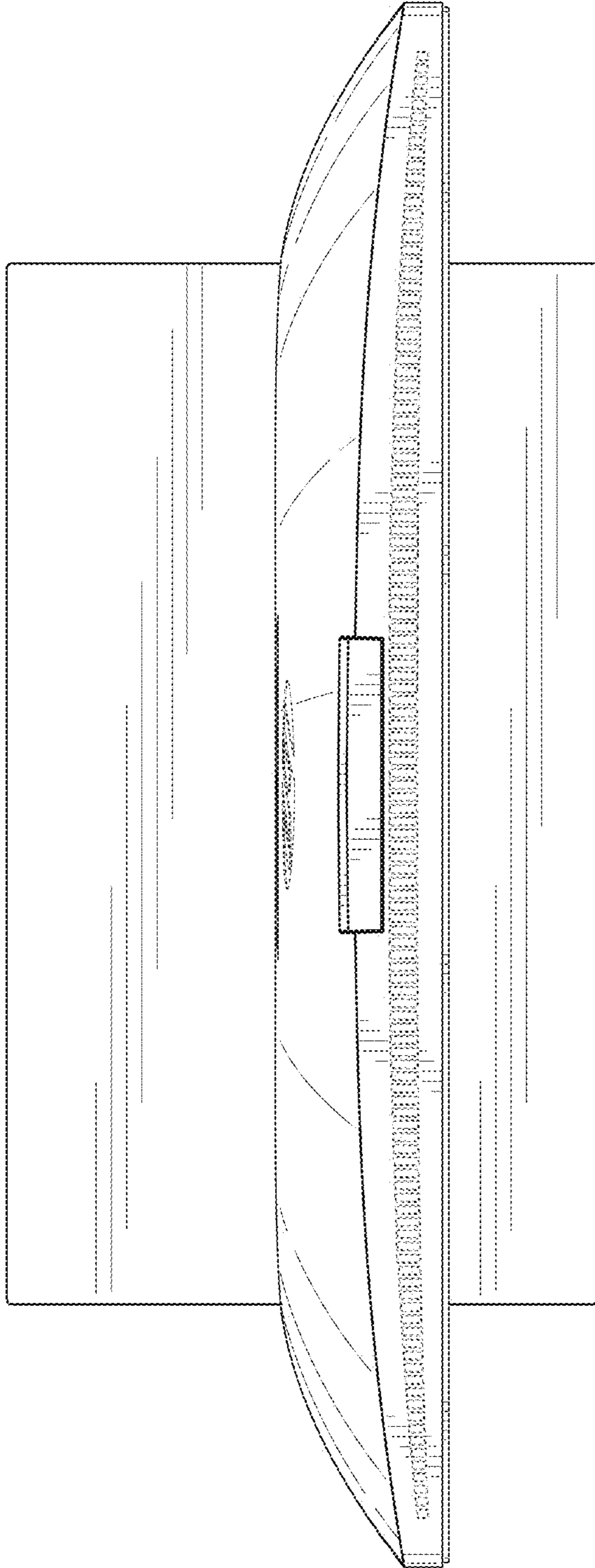


FIG. 7

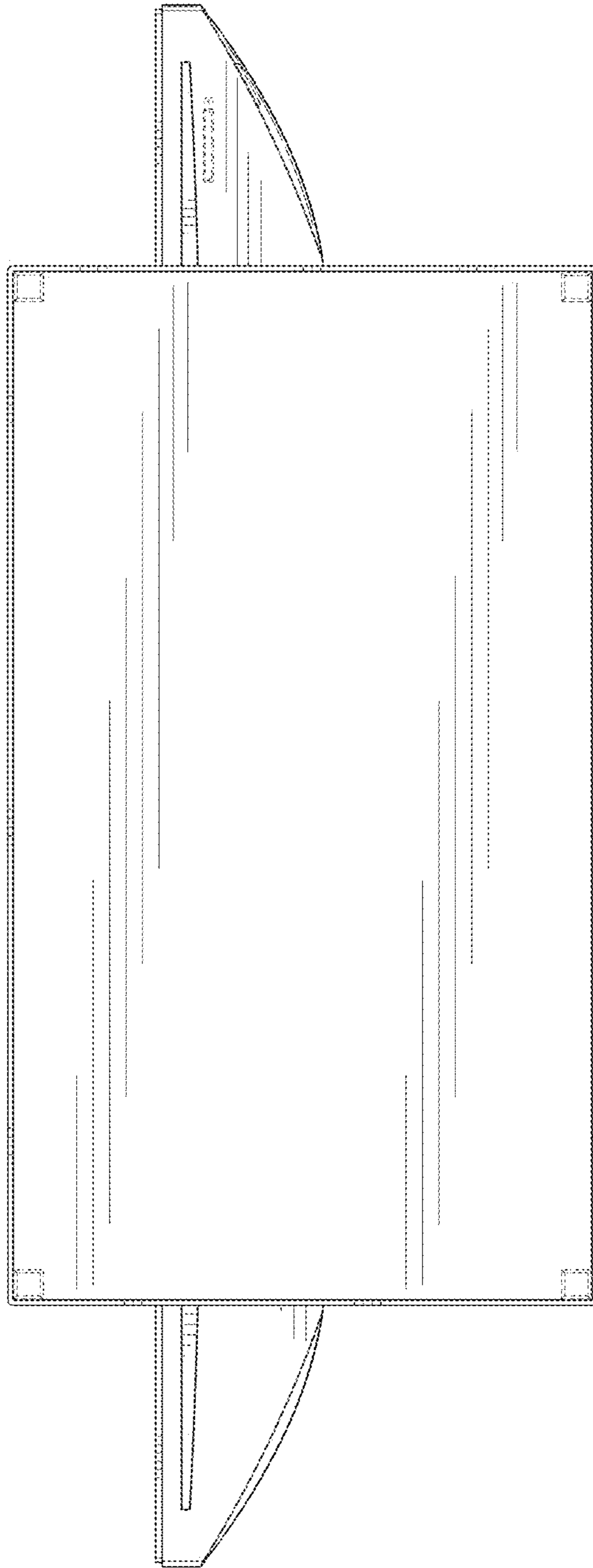


FIG. 8

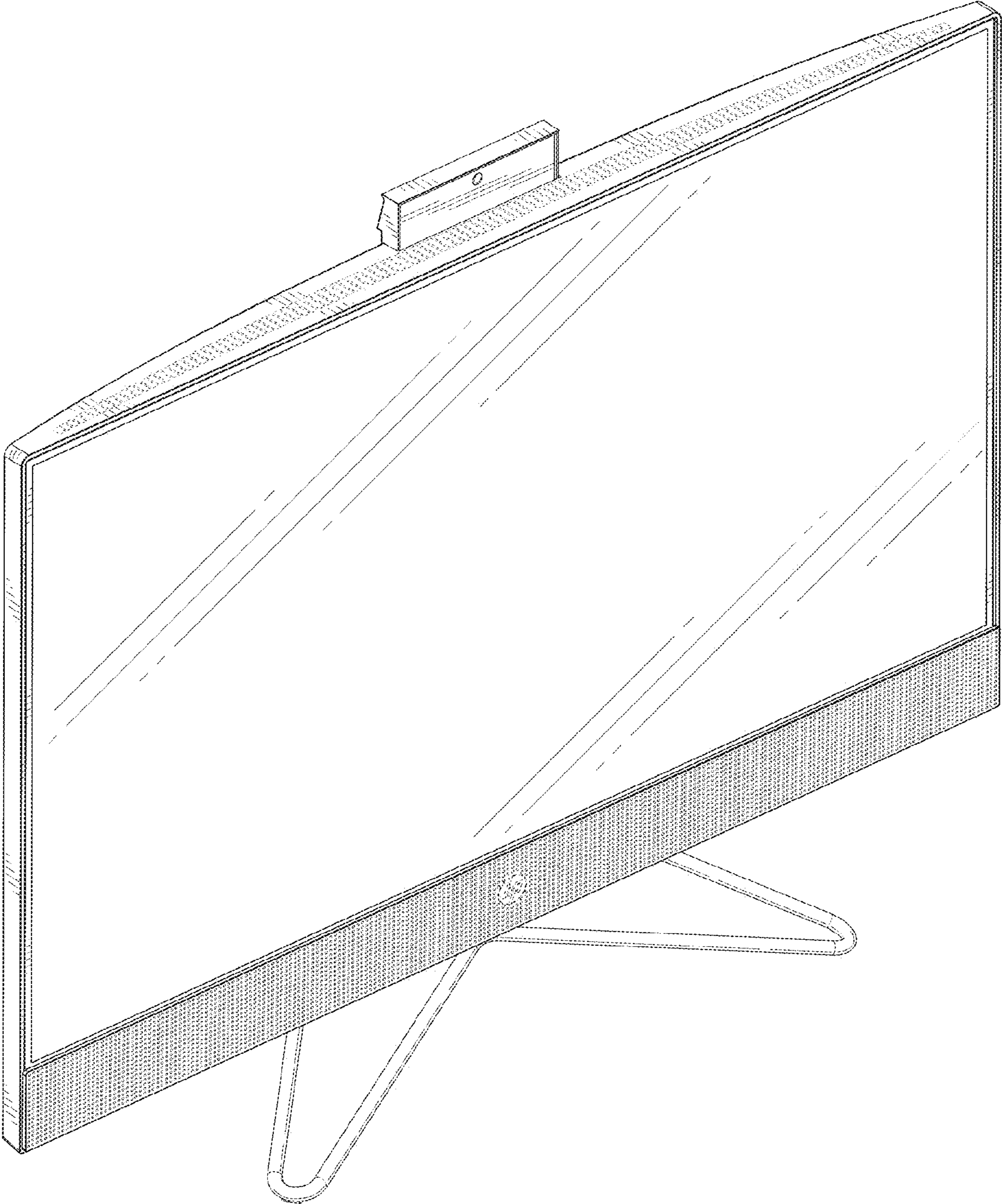


FIG. 9

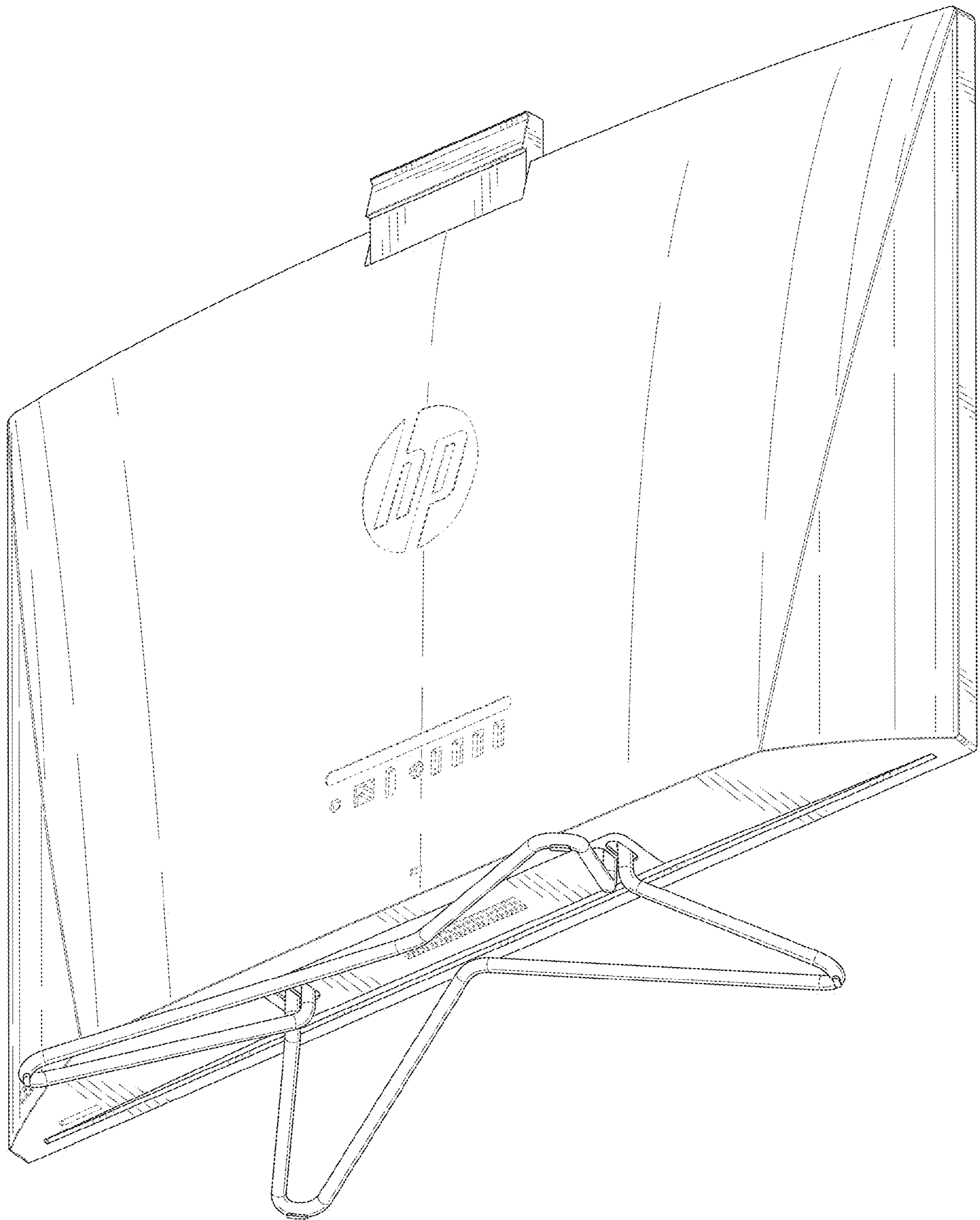


FIG. 10

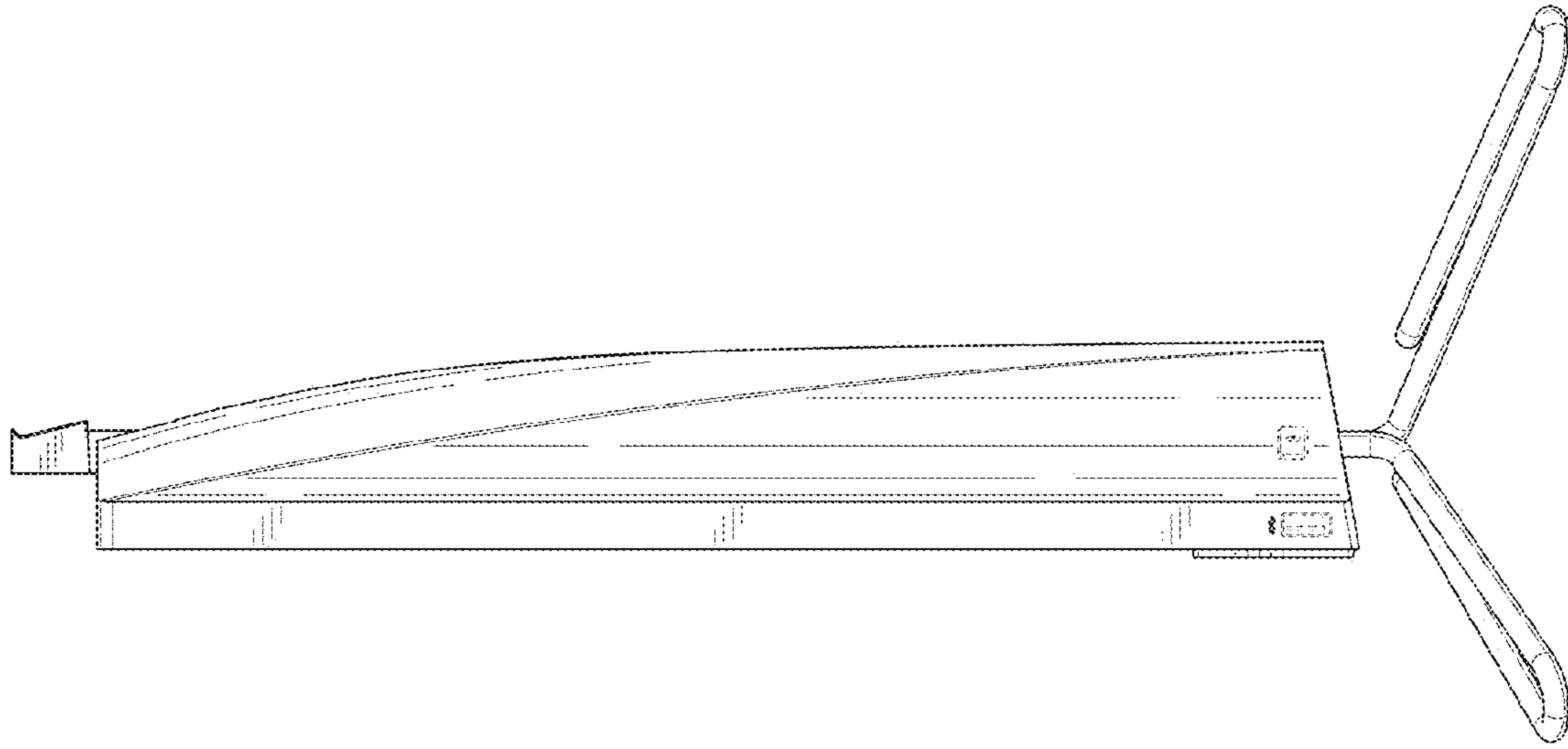


FIG. 12

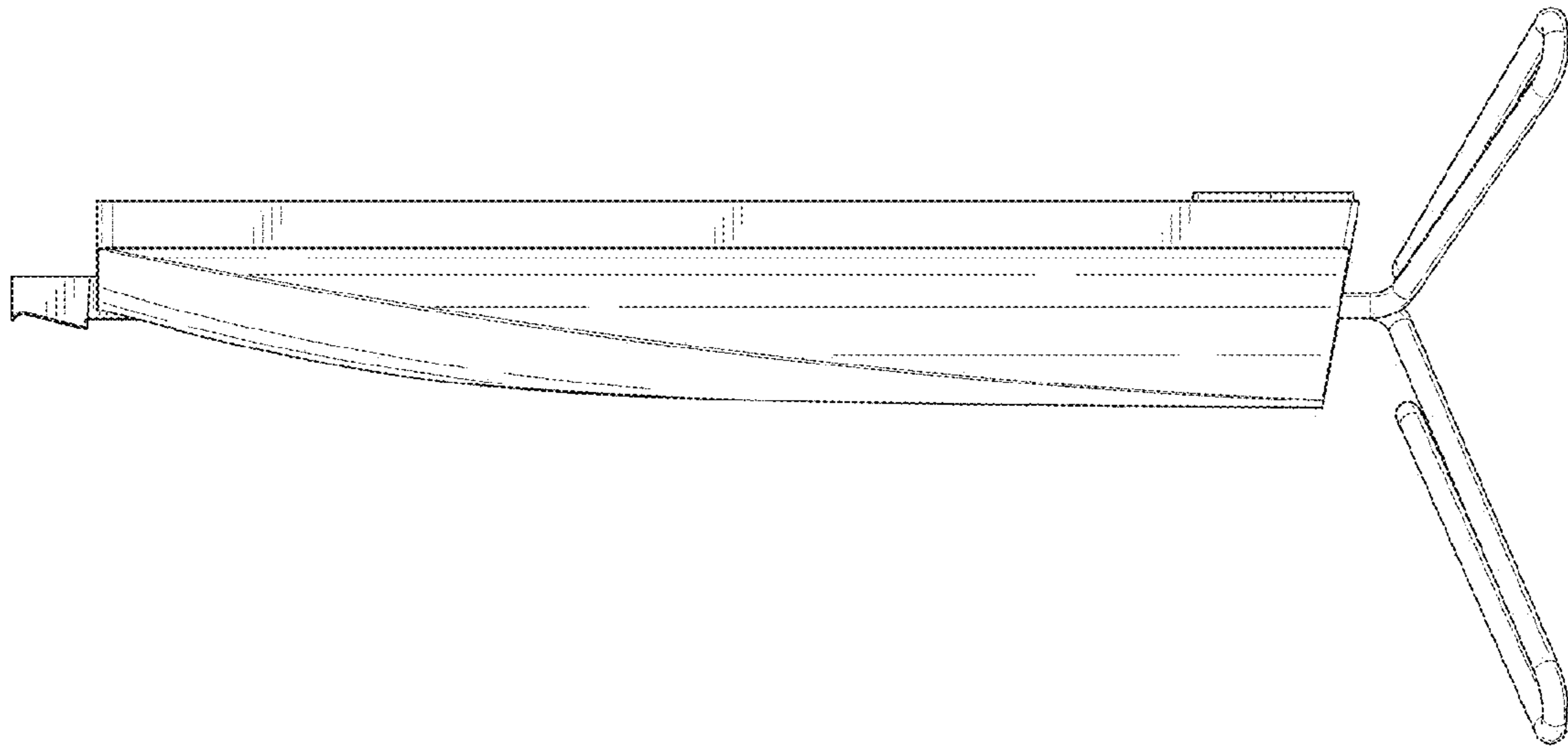


FIG. 11

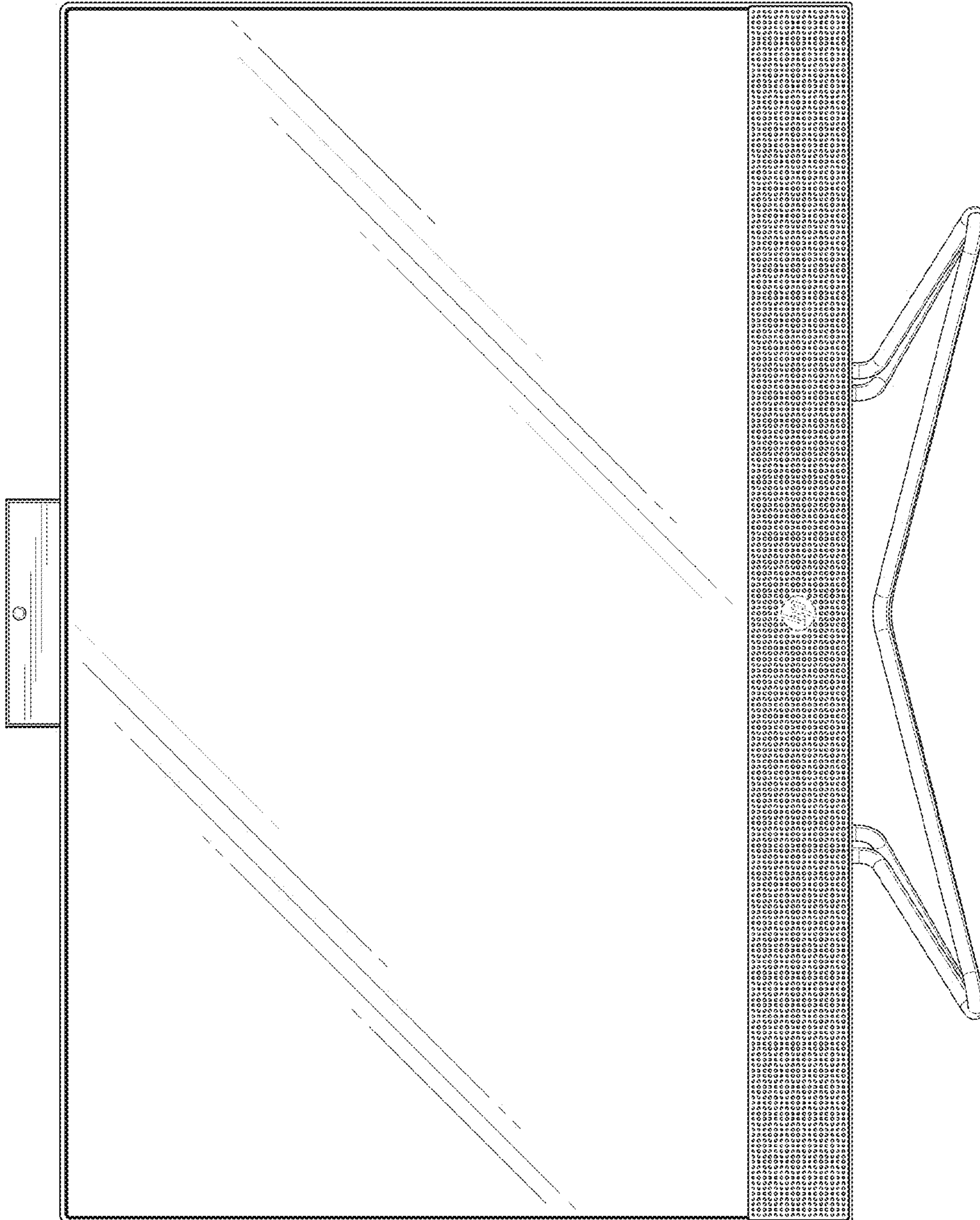


FIG. 13

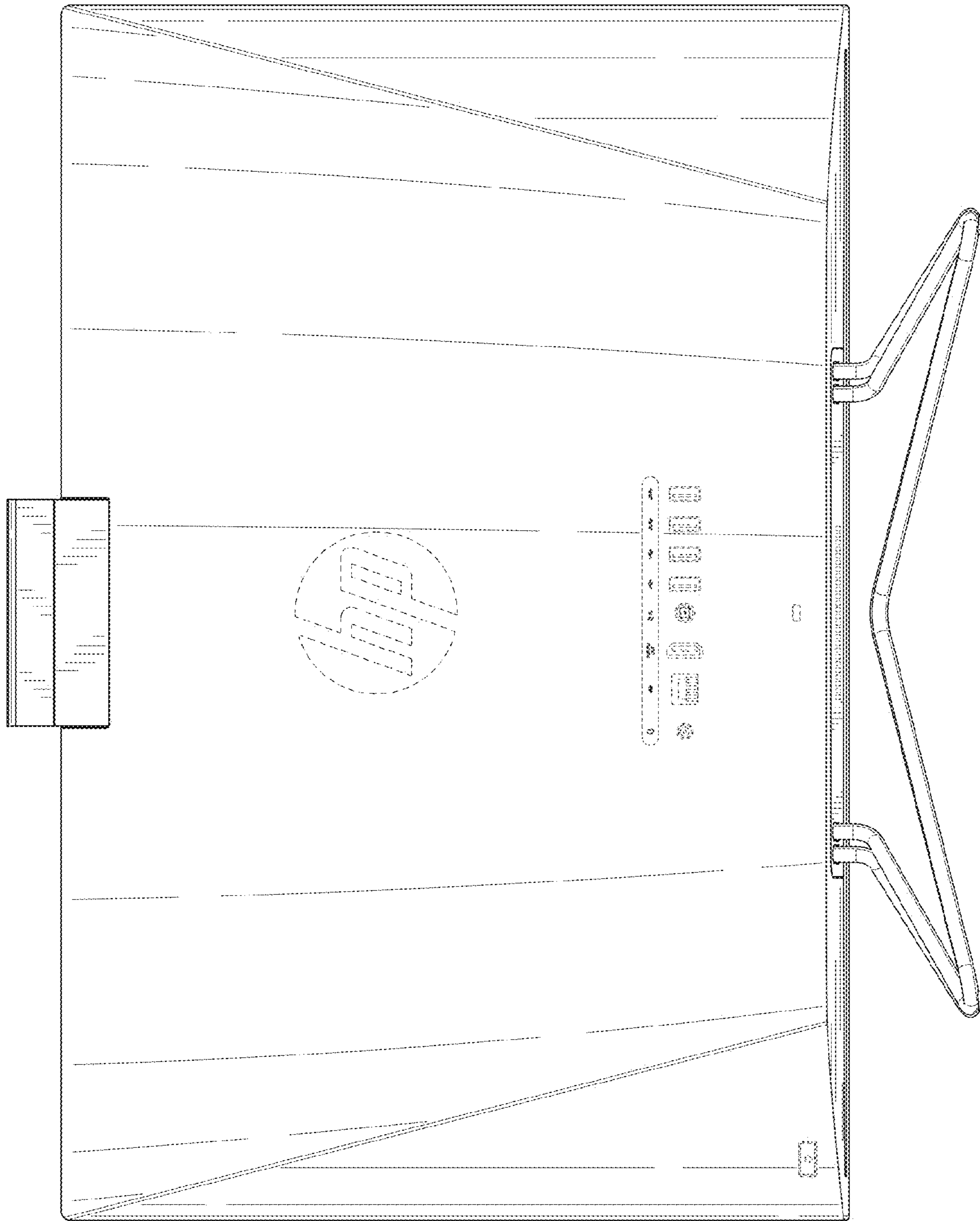


FIG. 14

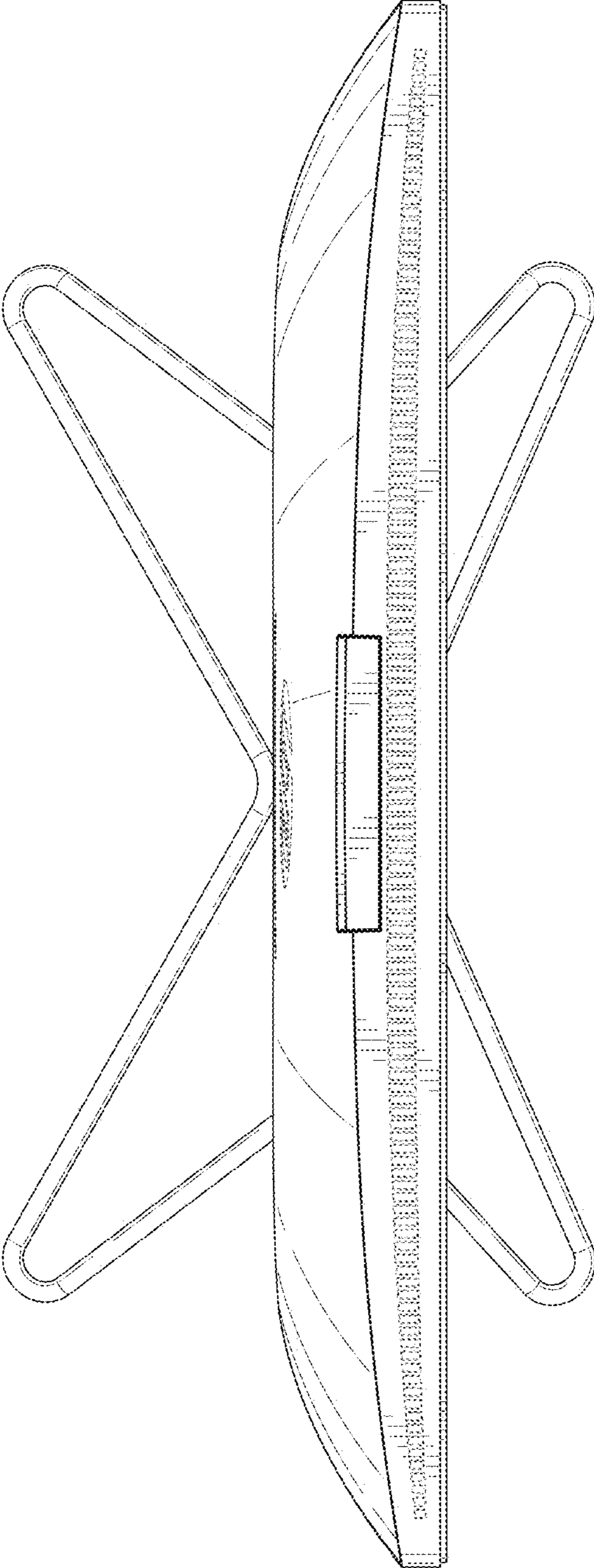


FIG. 15

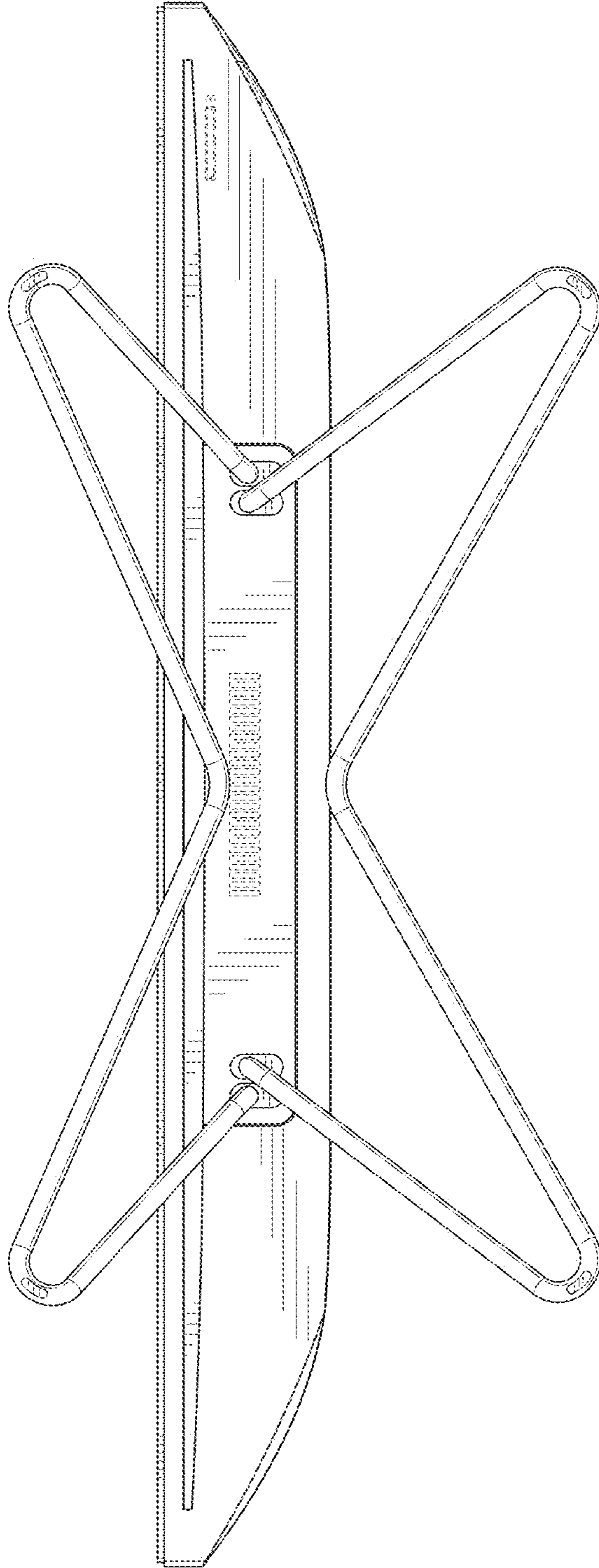


FIG. 16