



US00D938949S

(12) **United States Design Patent** (10) **Patent No.:** **US D938,949 S**  
**Britt et al.** (45) **Date of Patent:** **\*\* Dec. 21, 2021**

(54) **PHONE ATTACHMENT**  
 (71) Applicant: **SecureGrip, LLC**, Charlotte, NC (US)  
 (72) Inventors: **David Wayne Britt**, Charlotte, NC (US); **Deborah Laun**, Skaneateles, NY (US); **Robert Naas**, Skaneateles, NY (US)  
 (73) Assignee: **SECUREGRIP, LLC**, Charlotte, NC (US)

(\*\*) Term: **15 Years**

(21) Appl. No.: **29/684,010**

(22) Filed: **Mar. 18, 2019**

(51) **LOC (13) Cl.** ..... **14-03**

(52) **U.S. Cl.**  
USPC ..... **D14/251**

(58) **Field of Classification Search**  
 USPC ..... D3/218, 215, 247, 249, 269, 273, 301, D3/303; D14/248, 250–253, 447, 452, D14/432–434, 415, 440, 215, 217, 240, D14/203.3–203.7; D12/415; D8/349, D8/363; D13/103, 107–108, 119, 238.1, D13/248, 250; 455/575.6  
 CPC ..... H04M 1/02; H04M 1/0202; B60R 11/02; A45C 1/06; A45C 11/00; A45C 13/02; A45C 2011/002; A45F 2005/026; A45F 2200/0516

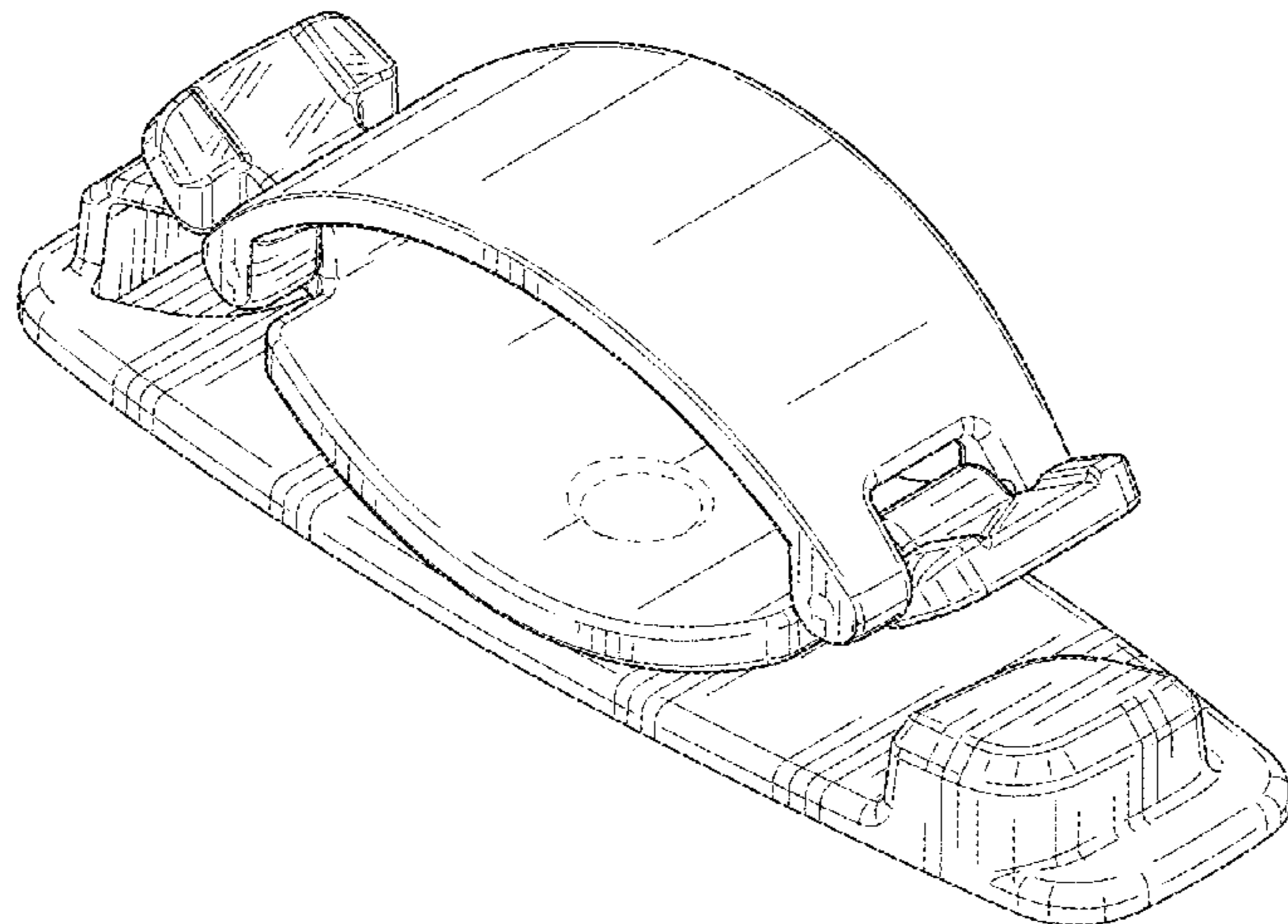
See application file for complete search history.

(56) **References Cited**

U.S. PATENT DOCUMENTS

3,572,870 A 3/1971 Marks  
 5,938,137 A 7/1999 Poulson  
 6,546,103 B1 4/2003 Wong  
 7,661,567 B2 2/2010 Myers  
 7,665,684 B2 2/2010 Salentine et al.  
 8,251,210 B2 8/2012 Schmidt et al.  
 8,297,440 B2 10/2012 Schmidt et al.  
 D675,197 S 1/2013 Losiewicz  
 8,371,486 B2 2/2013 Imafuku et al.

D679,271 S 4/2013 Liu  
 8,408,513 B2 4/2013 Smith  
 8,411,849 B1 4/2013 McKenzie et al.  
 D685,778 S 7/2013 Fahrendorff et al.  
 D686,199 S 7/2013 Fahrendorff et al.  
 8,528,798 B2 9/2013 Chen  
 8,550,317 B2 10/2013 Hyseni  
 8,567,832 B2 10/2013 Kannaka  
 8,577,412 B1 11/2013 Bishop  
 8,678,255 B2 3/2014 Zhang et al.  
 D703,647 S 4/2014 Kim  
 8,737,066 B1 5/2014 Block  
 D706,254 S 6/2014 Chang  
 8,746,448 B1 6/2014 Bellace  
 8,794,560 B2 8/2014 Salentine et al.  
 8,915,409 B2 12/2014 Smith  
 9,072,363 B2 7/2015 Paugh et al.  
 9,104,377 B2 8/2015 Rekuc et al.  
 8,950,638 B2 10/2015 Wangercyn, Jr. et al.  
 9,155,377 B2 10/2015 Wangercyn, Jr. et al.  
 9,179,762 B2 11/2015 Paugh et al.  
 9,210,977 B2 12/2015 Lach et al.  
 D747,093 S \* 1/2016 Rogers ..... D3/218  
 9,261,912 B2 2/2016 Bell  
 9,300,346 B2 3/2016 Hirsh  
 9,312,905 B2 4/2016 Ehrlich  
 D756,980 S 5/2016 Beeman  
 9,369,168 B2 6/2016 Molnar  
 9,386,832 B2 7/2016 Elgan  
 D763,239 S 8/2016 Chan et al.  
 D765,069 S 8/2016 Jeffrey  
 9,407,743 B1 8/2016 Hirshberg  
 D766,225 S 9/2016 Williams  
 D768,121 S \* 10/2016 Ormsbee ..... D14/250  
 9,469,499 B1 10/2016 Chen  
 9,473,608 B1 10/2016 Sherman et al.  
 D771,028 S 11/2016 Kim  
 D771,608 S 11/2016 Kim et al.  
 9,496,911 B2 11/2016 Brand  
 D774,500 S 12/2016 Reese  
 9,521,896 B2 12/2016 Peterson  
 D775,619 S 1/2017 Tien  
 D776,104 S 1/2017 Tien  
 D777,154 S 1/2017 McGowan et al.  
 9,538,833 B2 1/2017 Rowley  
 9,545,146 B1 1/2017 King  
 9,545,147 B2 1/2017 Sadai  
 D778,275 S 2/2017 Gabriel et al.  
 D780,166 S 2/2017 Lin  
 D780,167 S 2/2017 Tien  
 9,581,291 B2 2/2017 Trotsky  
 9,590,685 B1 3/2017 Yehuda  
 D840,388 S \* 2/2019 Wieth ..... D14/251



D894,167	S *	8/2020	Feller .....	D14/251
D894,889	S *	9/2020	Feller .....	D14/251
D897,332	S *	9/2020	Zhang .....	D14/253
D905,040	S *	12/2020	Altschul .....	H04B 1/3888 D14/251
D916,073	S *	4/2021	Li .....	D14/253
2005/0011982	A1	1/2005	Salentine et al.	
2005/0072819	A1	4/2005	Maldonado et al.	
2007/0278265	A1	12/2007	Contente	
2008/0227419	A1	9/2008	Traub	
2011/0084081	A1	4/2011	Chung	
2011/0266316	A1	11/2011	Ghalib et al.	
2011/0267748	A1	11/2011	Lane et al.	
2011/0297581	A1	12/2011	Angel	
2011/0309117	A1	12/2011	Roberts	
2012/0025039	A1	2/2012	Segal	
2012/0025684	A1	2/2012	Trotsky	
2012/0031937	A1	2/2012	Baker	
2012/0043452	A1	2/2012	Karmatz	
2012/0048873	A1	3/2012	Hyseni	
2012/0063066	A1	3/2012	Floit	
2012/0111881	A1	5/2012	Gaddis, II et al.	
2012/0113572	A1	5/2012	Gaddis, II et al.	
2012/0187706	A1	7/2012	Kannaka	
2012/0267402	A1	10/2012	Beatty	
2012/0299318	A1	11/2012	Murphy et al.	
2013/0214022	A1	8/2013	Harvey	
2013/0240380	A1	9/2013	Hansen	
2013/0240580	A1	9/2013	Yu	
2014/0117177	A1	5/2014	Shamsadov	
2014/0148313	A1	5/2014	Orlando	
2014/0152034	A1	6/2014	Tussy	
2014/0217135	A1	8/2014	Murphy	
2014/0364176	A1	12/2014	Pintor	
2015/0076183	A1	3/2015	Palma	
2015/0097008	A1	4/2015	Adeyemi	
2015/0122852	A1	5/2015	Feng	
2015/0157116	A1	6/2015	Williams	
2015/0201743	A1	7/2015	Erickson-Davis et al.	
2015/0289634	A1	10/2015	Chavez	
2015/0305480	A1	10/2015	Brousseau	
2015/0331448	A1	11/2015	Truong et al.	
2015/0335138	A1	11/2015	Juarbe	
2016/0028428	A1	1/2016	Sturniolo	
2016/0088924	A1	3/2016	Haymond et al.	
2016/0094262	A1	3/2016	Chroney	
2016/0134733	A1 *	5/2016	Murphy .....	H04B 1/3888 455/575.6
2016/0249718	A1	9/2016	Oh et al.	
2016/0345715	A1	12/2016	Lin	
2017/0000250	A1	1/2017	Carnevalli	
2017/0055660	A1	3/2017	Tien	
2017/0104854	A1	4/2017	Park	
2017/0135234	A1	5/2017	Kim	
2018/0220782	A1	8/2018	Mody	
2018/0302114	A1	10/2018	Nielsen	
2019/0141174	A1	5/2019	Britt	

FOREIGN PATENT DOCUMENTS

GB	2515397	9/2015
JP	3430078	5/2003
JP	2013165823	8/2013
JP	2014023141	2/2014
KR	101765766	8/2017
WO	2016019256	2/2016
WO	2016081362	5/2016
WO	2016166607	10/2016

OTHER PUBLICATIONS

CES 2015: Beeline shows off iPhone 6 case w/retractable kevlar cord for the outdoors, 49 Magazine, 2015, retrieved from www.49magazine.com/archives/10749, 3 pgs. 2015.  
Case iPhone Retractable Selfie Stick Apple iPhone 6, iPhone 6 Plus, iPhone 6s, iPhone 6s Plus, retrieved Mar. 10, 2017 from www.casefanatic.com/store/ 2017.

Patent Cooperation Treaty, International Search Report for PCT/US2019/013793, 3pgs. dated Apr. 23, 2019.  
Patent Cooperation Treaty, International Search Report for PCT/US2019/022751, 3 pages dated Jun. 28, 2019.  
Foldable selfie stick case for iPhone 7 retractable PC Silicone Mobile Phone Bluetooth Remote Control Coque for iPhone 7plus, retrieved Mar. 10, 2017 from www.pinterest.com/pin/67525853784854239/, 3 pgs. 2017.  
Discount Retractable Covers, 2017 Retractable Car Covers on sale at DHgate, retrieved from www.dhgate.com/discount/retractable-covers-on-sale.html 2017.  
Chua, M., Reelcase—iPhone case with retractable lanyard marks sure your phone is always by your side, retrieved from mikeshoots.com/reelcase-iphone-case-with-retractable-lanyard/ 2015.

\* cited by examiner

*Primary Examiner* — Catherine R Oliver-Garcia  
(74) *Attorney, Agent, or Firm* — Bryan Cave Leighton Paisner LLP

(57) CLAIM

The ornamental design for a phone attachment, as shown and described.

DESCRIPTION

FIG. 1 is a perspective view of a phone attachment illustrating a finger-hold in a first extended position;  
FIG. 2 is a top plan thereof;  
FIG. 3 is a bottom plan thereof;  
FIG. 4 is a front elevation thereof;  
FIG. 5 is a right side elevation thereof;  
FIG. 6 is a perspective view of the phone attachment of FIG. 1, illustrating the finger-hold in a second extended position rotated from the first extended position, and illustrating optional ornamentation thereon;  
FIG. 7 is a top plan of the phone attachment of FIG. 1, illustrating the finger-hold in the second extended position rotated from the first extended position;  
FIG. 8 is a top plan of the phone attachment of FIG. 1, illustrating the finger-hold in a collapsed position;  
FIG. 9 is a perspective view of the phone attachment of FIG. 1, illustrating the finger-hold in the collapsed position;  
FIG. 10 is a perspective view of the phone attachment of FIG. 1 in an environment of use, illustrating the finger-hold in an extended position;  
FIG. 11 is a top plan of the phone attachment of FIG. 1, illustrating optional indentation ornamentation thereon;  
FIG. 12 is a top plan of the phone attachment of FIG. 1, illustrating optional webbing ornamentation thereon;  
FIG. 13 is a perspective view of a second embodiment of a phone attachment, illustrating the finger-hold in the second extended position rotated from the first extended position;  
FIG. 14 is a top plan of the phone attachment of FIG. 1, illustrating the finger hold in the first extended position, and illustrating optional chevron ornamentation thereon; and,  
FIG. 15 is a top plan of a second embodiment of a phone attachment, illustrating the finger hold in an extended position.

The broken lines illustrate environmental structure, optional ornamentation, and/or unclaimed boundary lines and form no part of the claimed design.

1 Claim, 15 Drawing Sheets

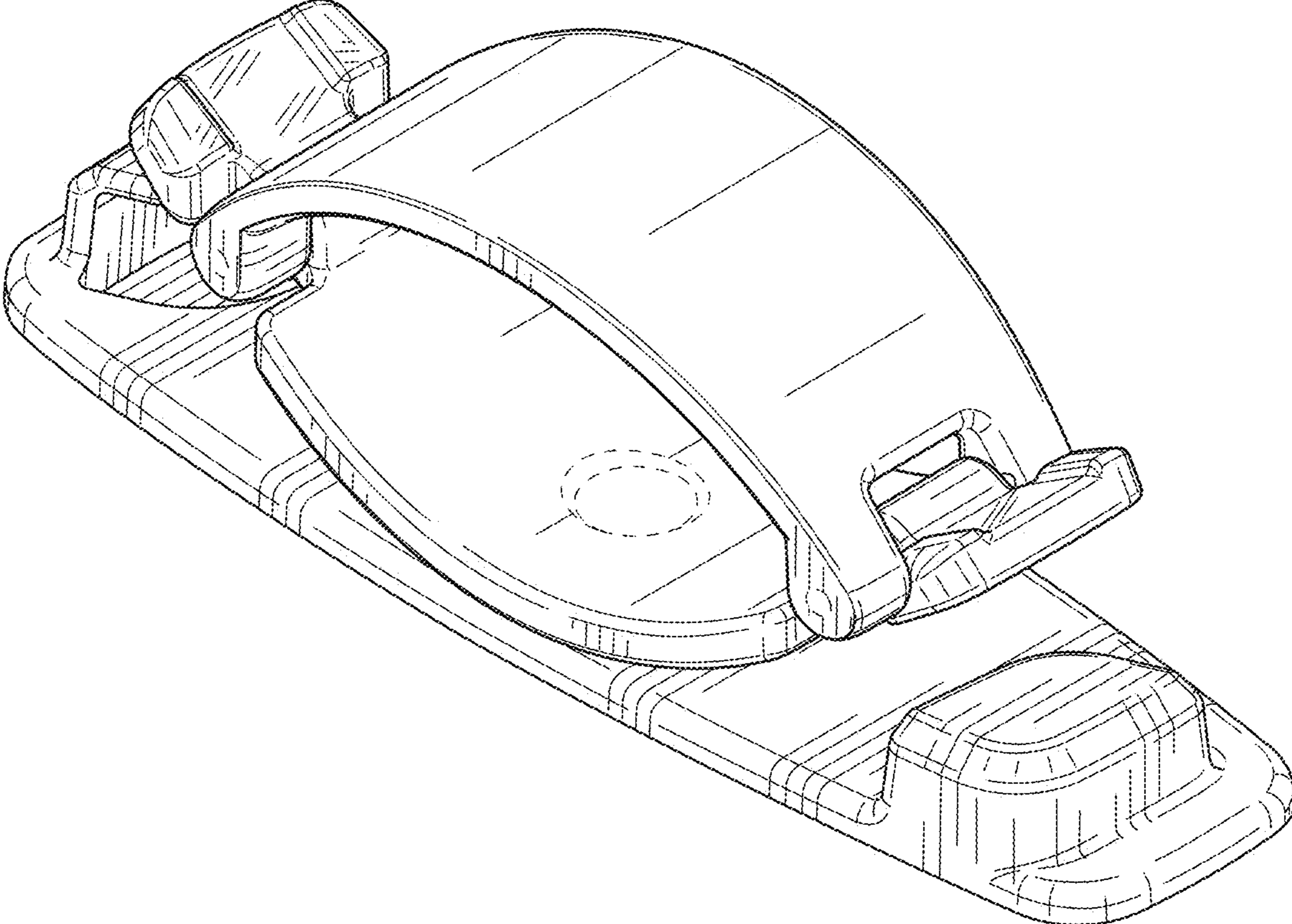


FIG. 1

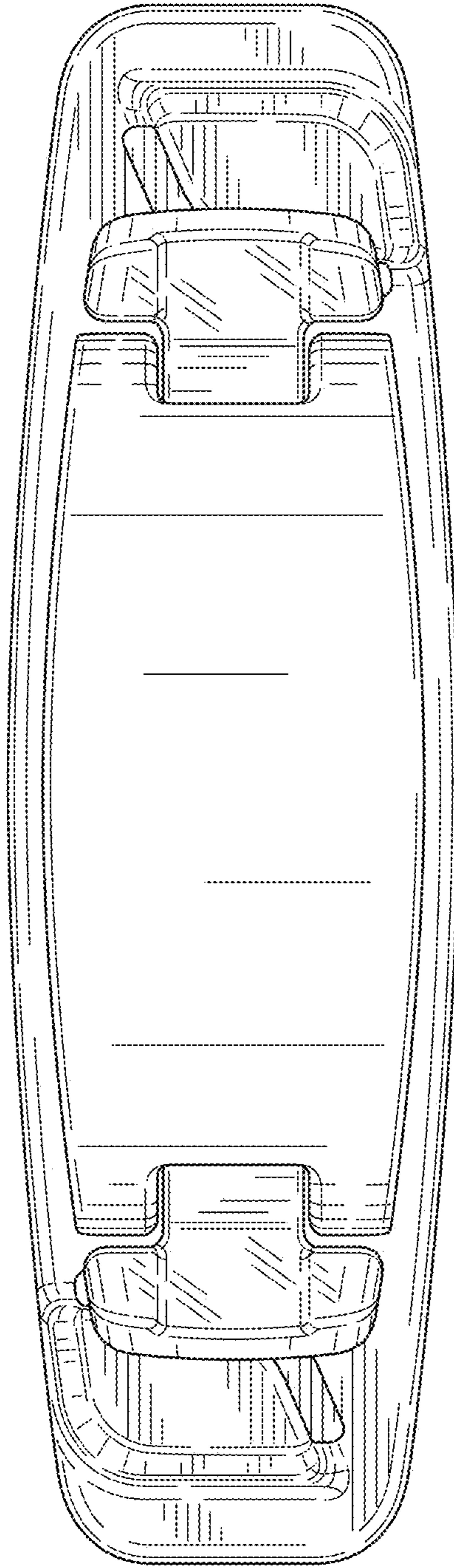


FIG. 2

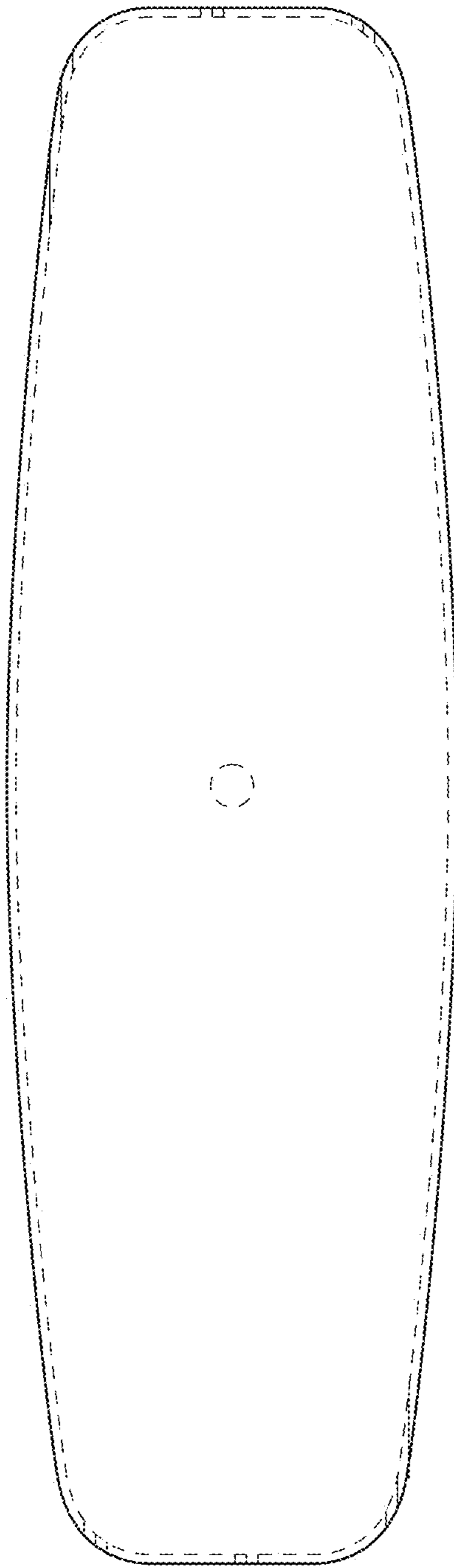


FIG. 3

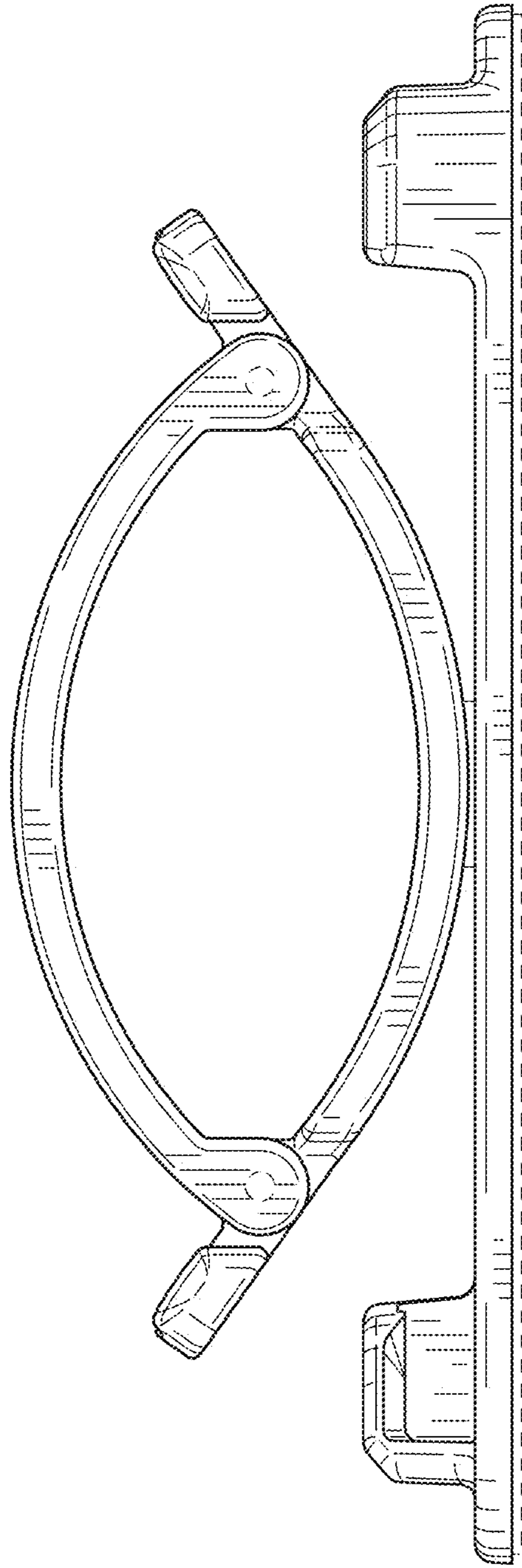


FIG. 4

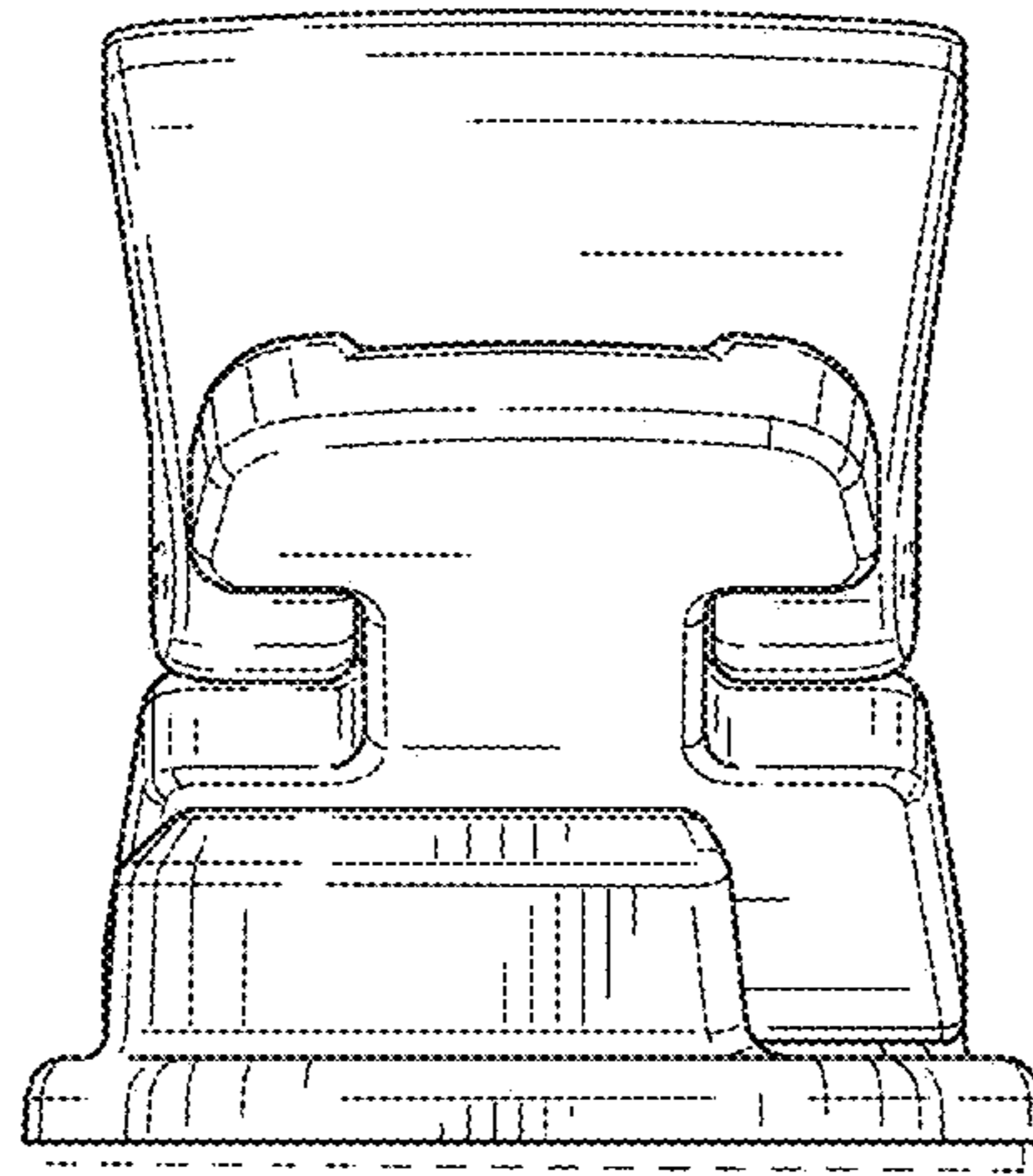


FIG. 5

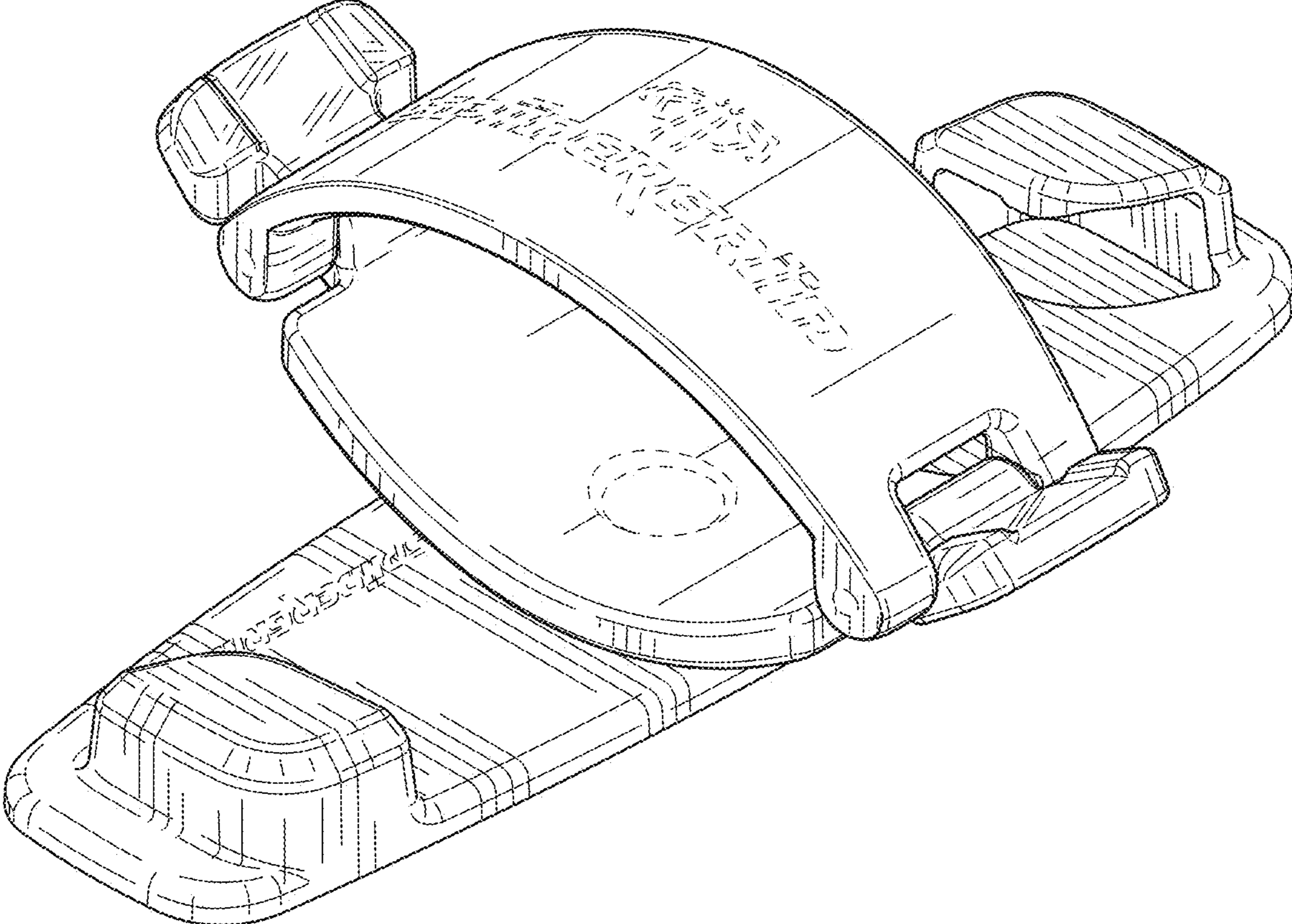


FIG. 6



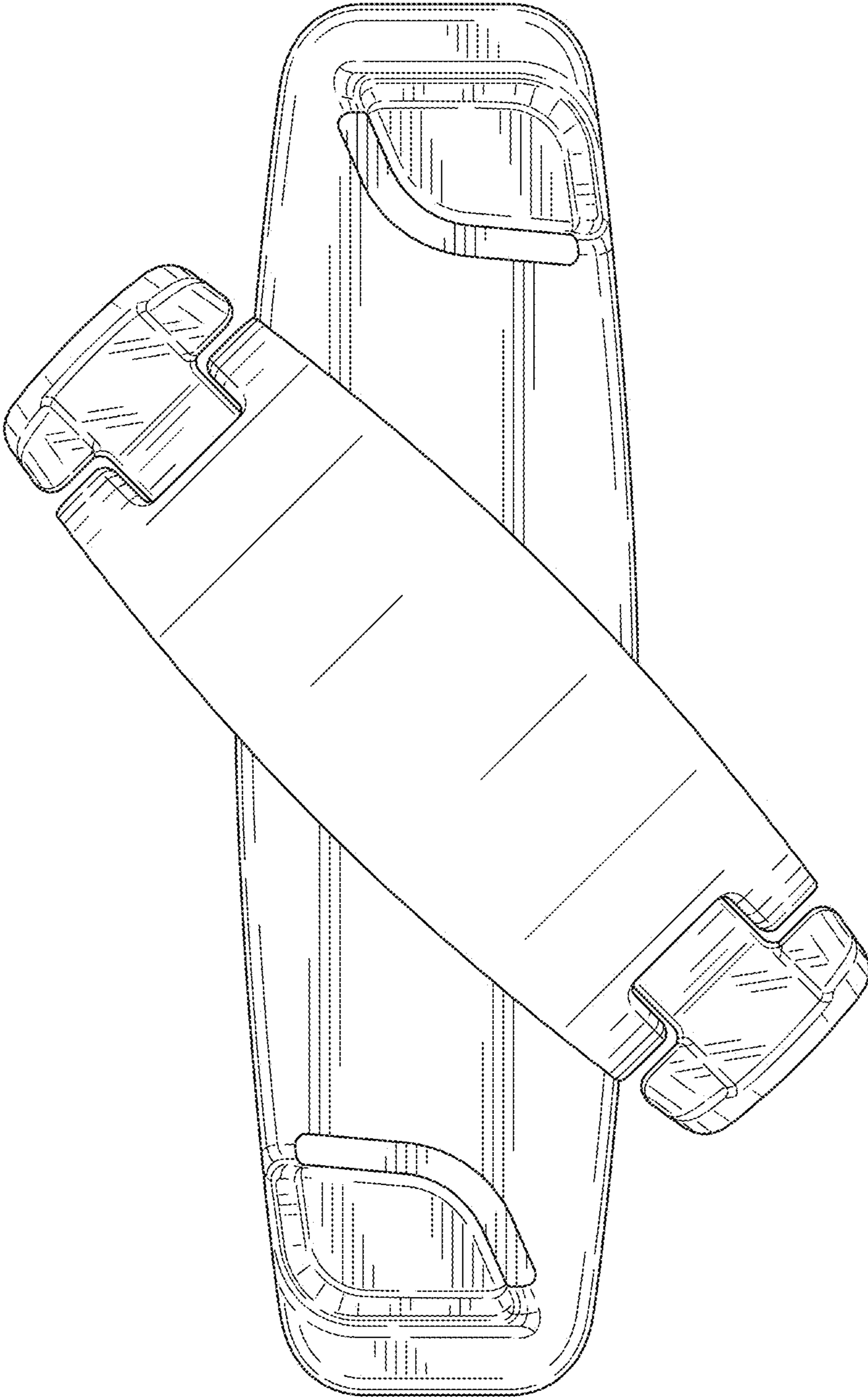


FIG.7

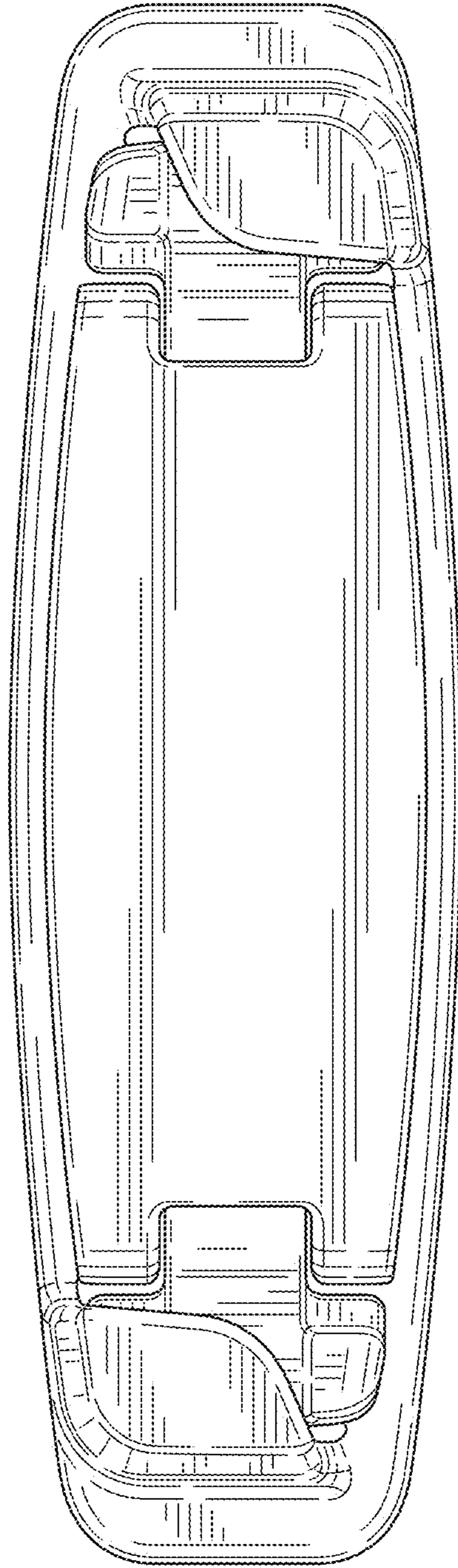


FIG. 8

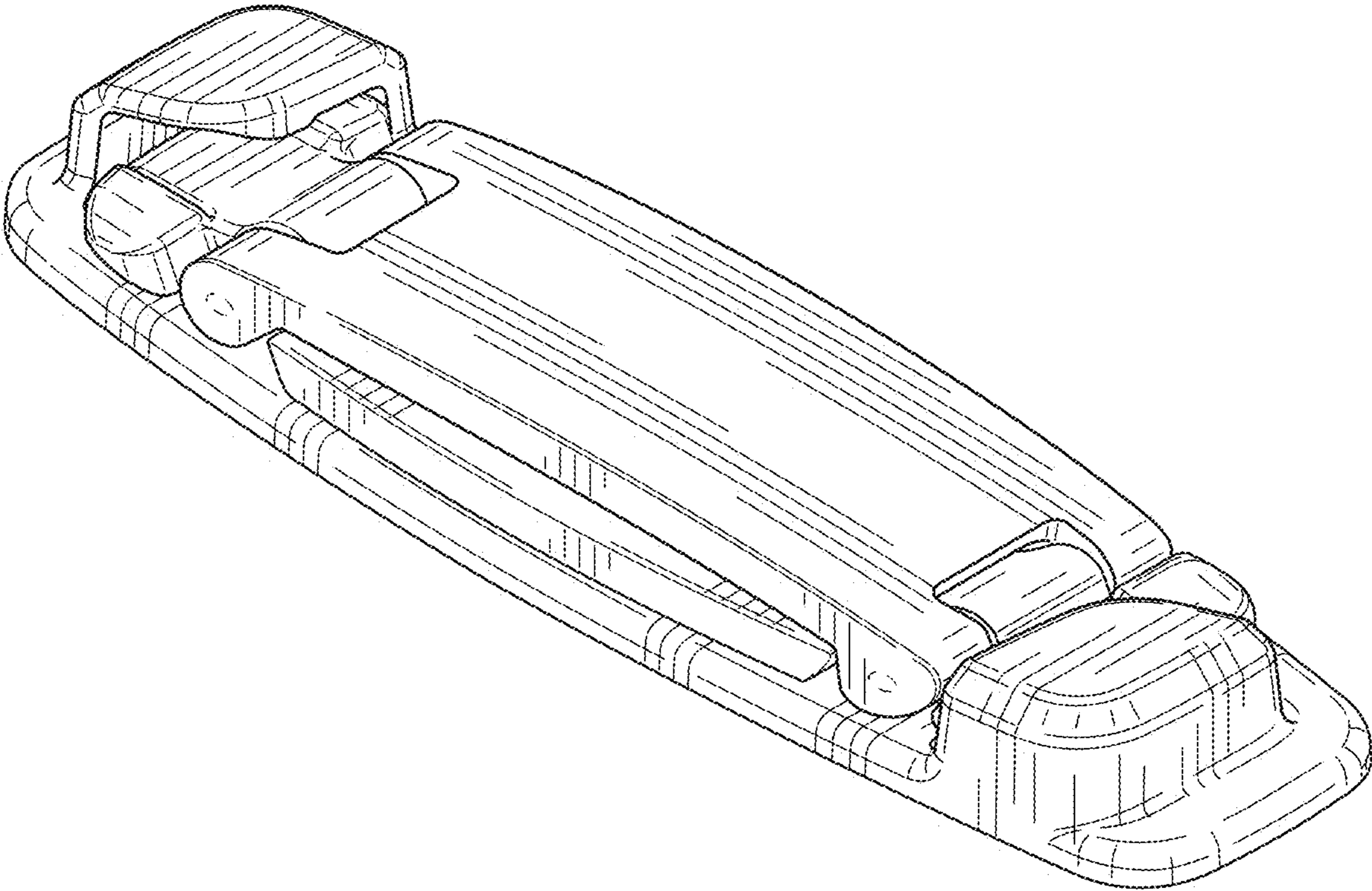


FIG. 9

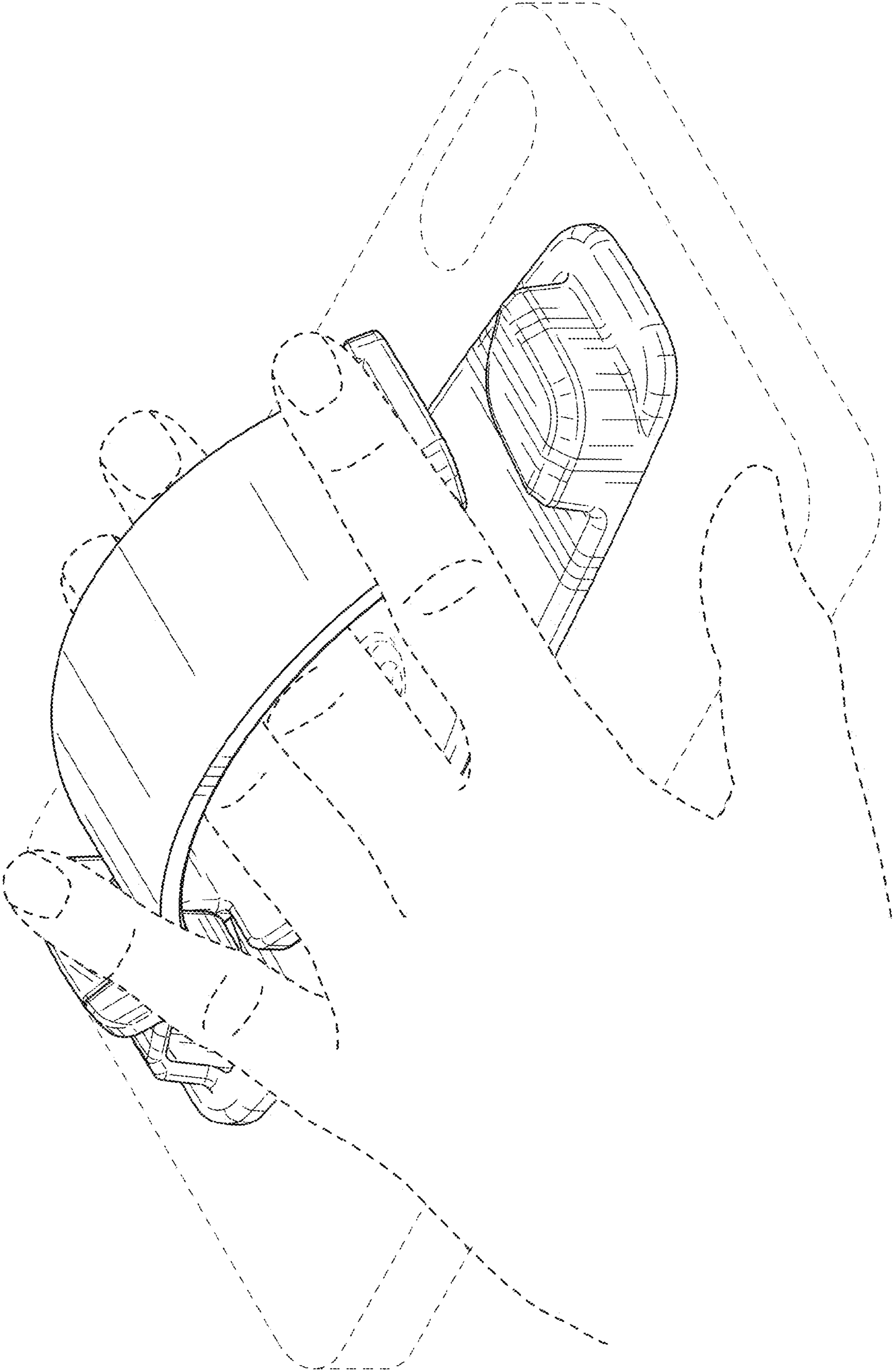


FIG. 10

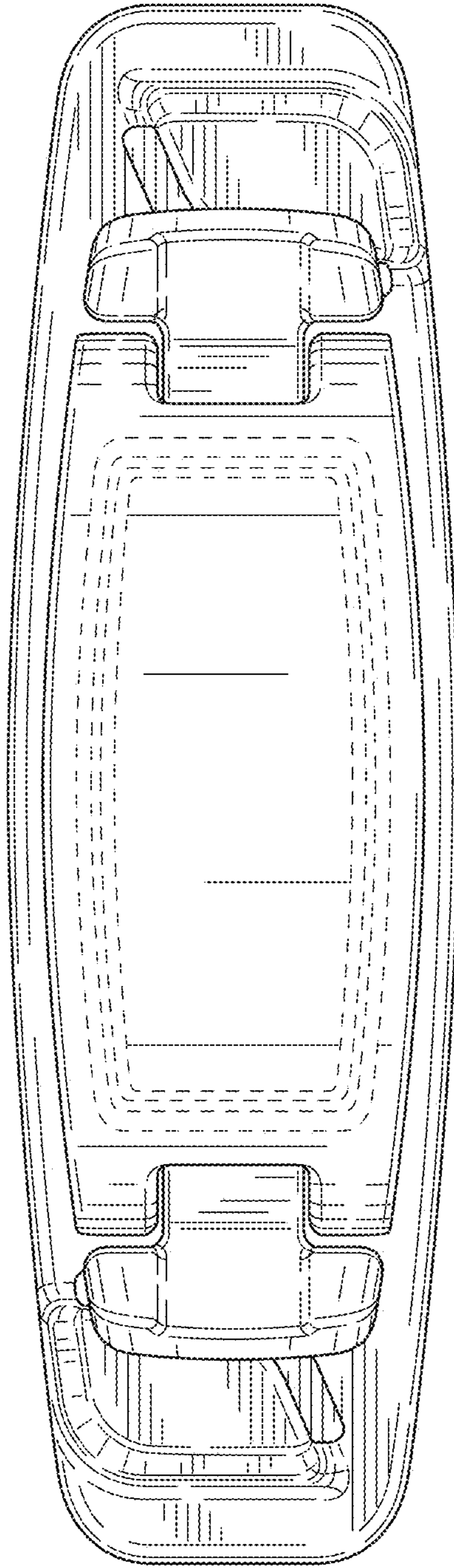


FIG. 11

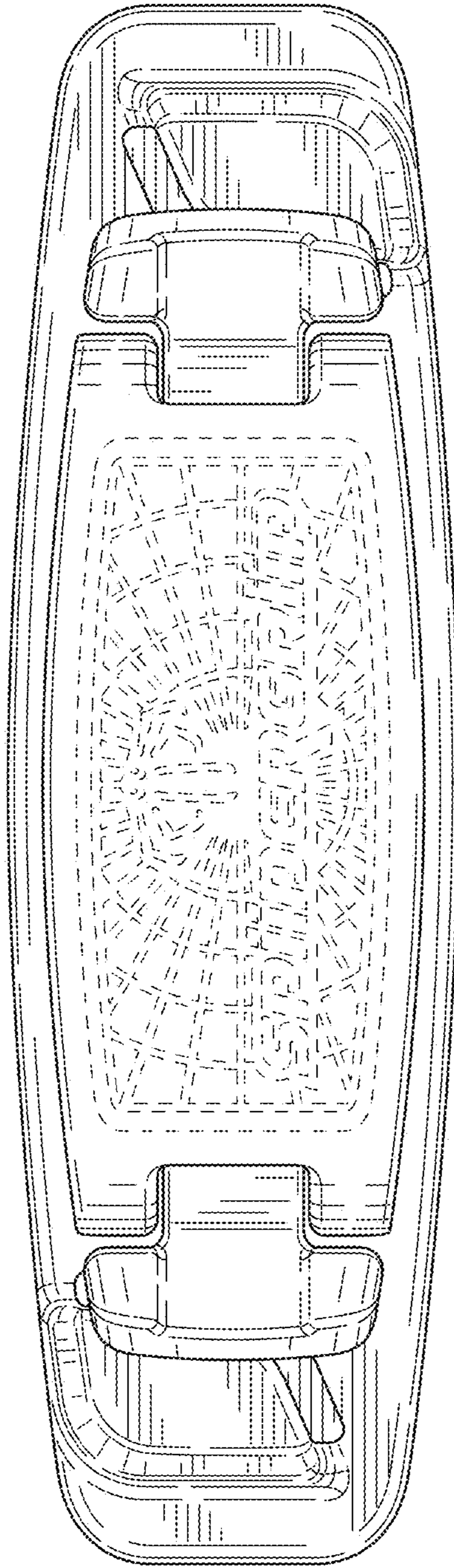


FIG. 12

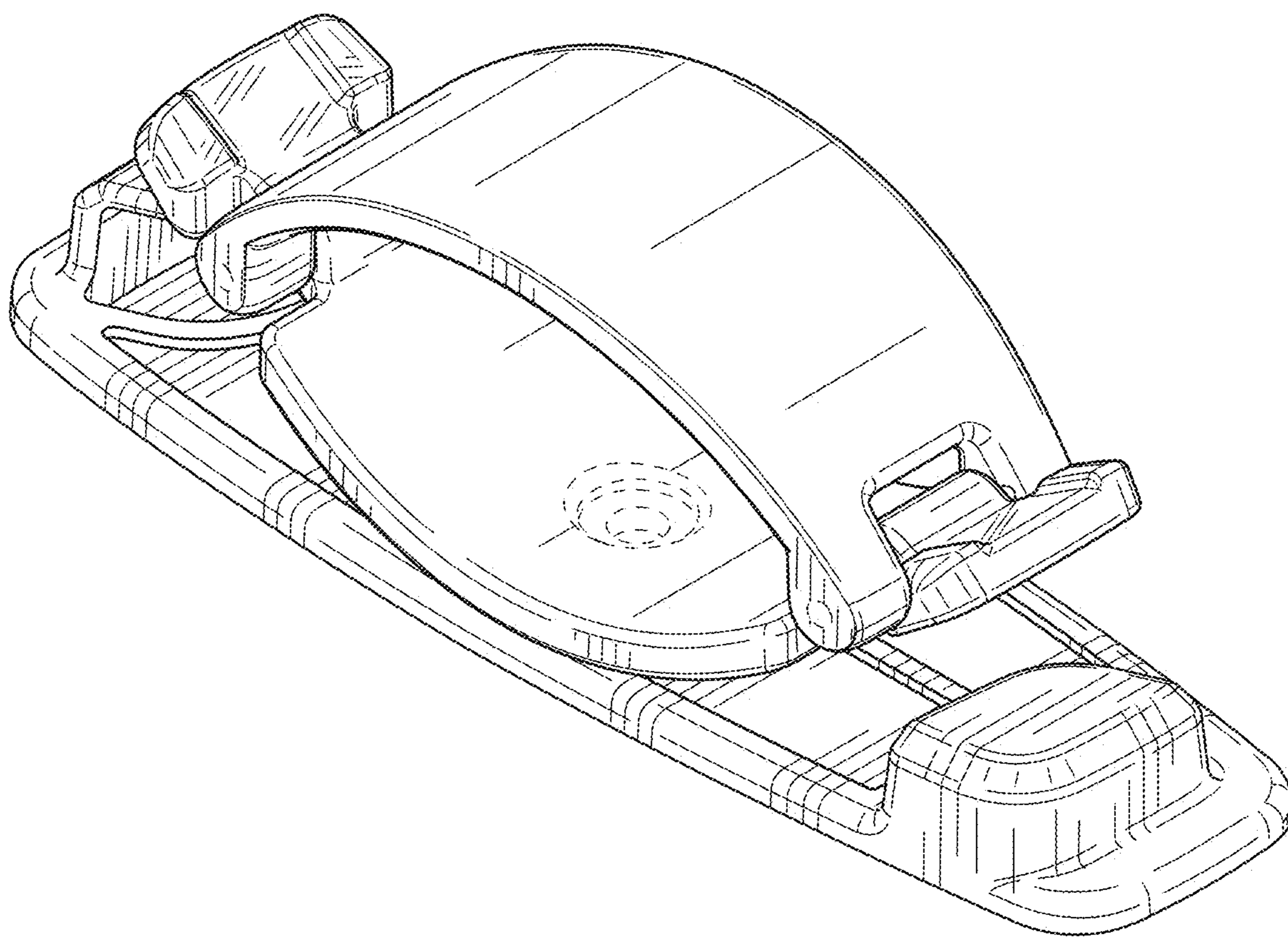


FIG. 13

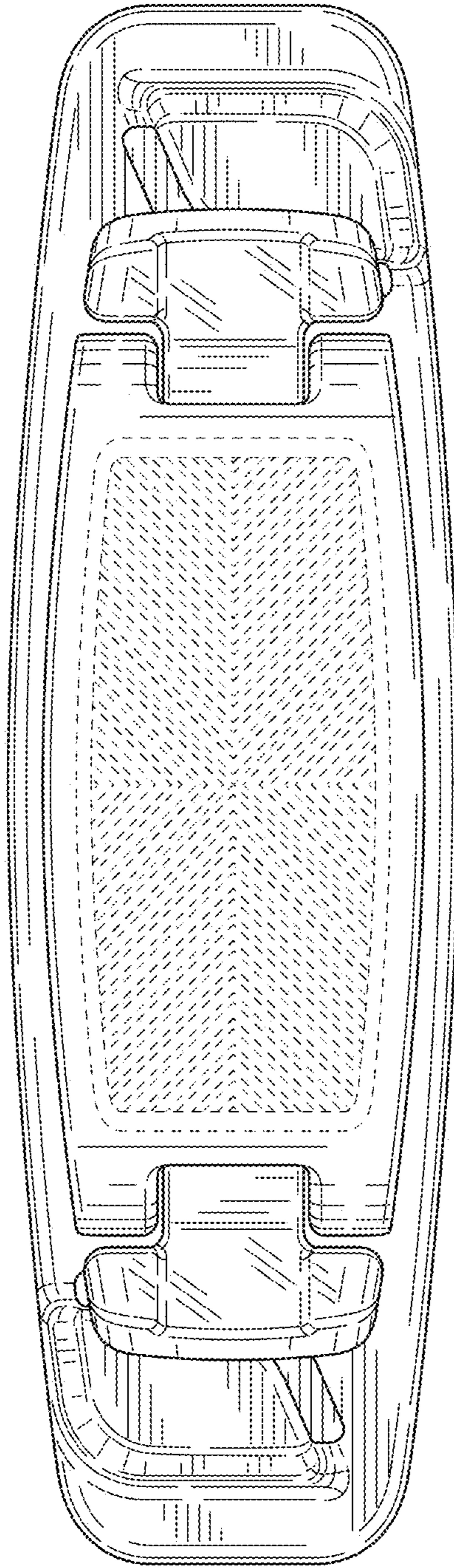


FIG. 14



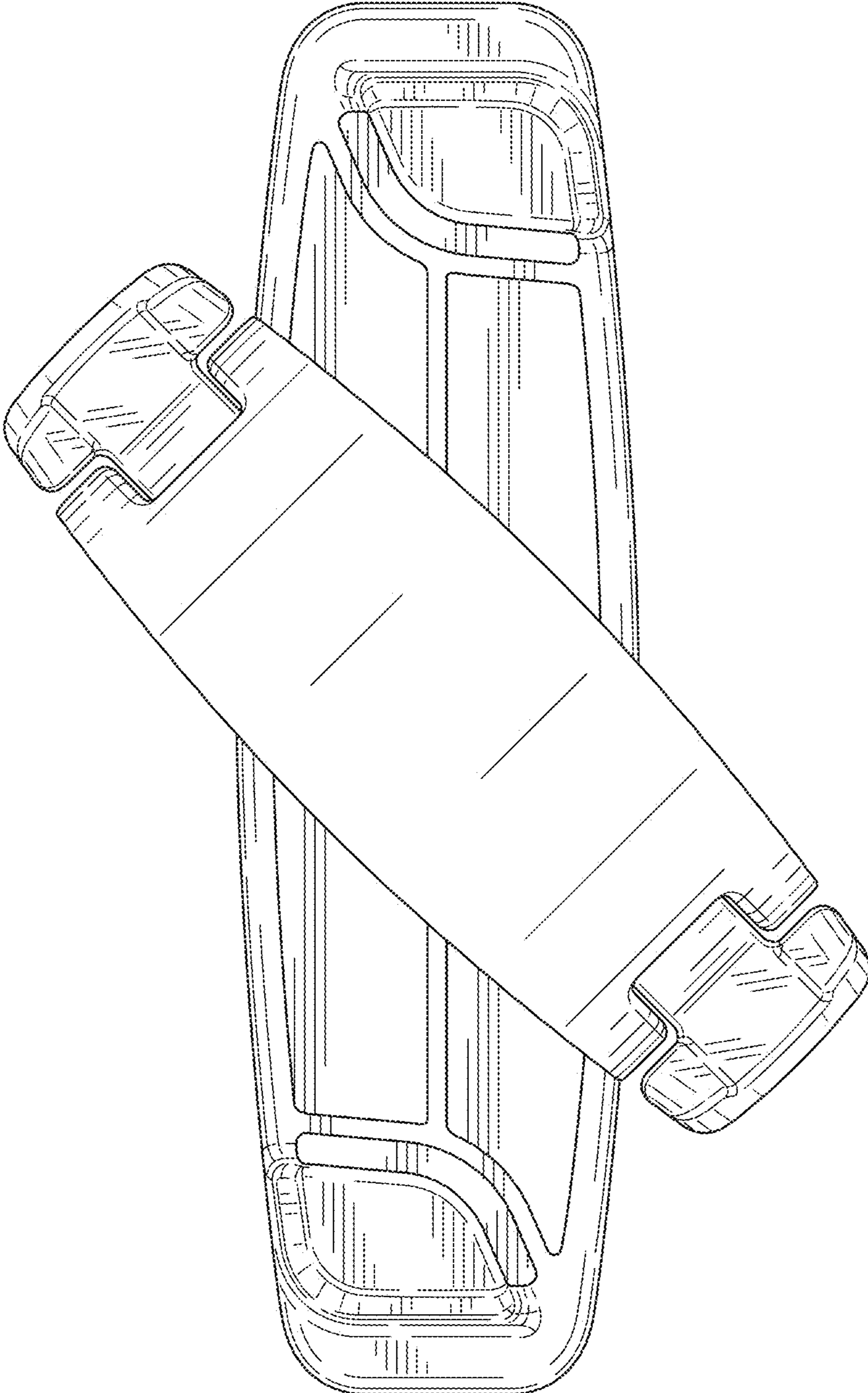


FIG. 15