

US00D938943S

(12) **United States Design Patent**  
**Amiya**

(10) **Patent No.:** **US D938,943 S**

(45) **Date of Patent:** **\*\* Dec. 21, 2021**

- (54) **STAND FOR SPEAKER**
- (71) Applicant: **YAMAHA CORPORATION,**  
Hamamatsu (JP)
- (72) Inventor: **Eizo Amiya,** Hamamatsu (JP)
- (73) Assignee: **YAMAHA CORPORATION,**  
Hamamatsu (JP)
- (\*\*) Term: **15 Years**
- (21) Appl. No.: **29/718,033**
- (22) Filed: **Dec. 20, 2019**
- (51) **LOC (13) Cl.** ..... **14-01**
- (52) **U.S. Cl.**  
USPC ..... **D14/224**
- (58) **Field of Classification Search**  
USPC ... D14/224, 211, 149, 209.1, 188, 214, 168;  
D6/692.3, 691.4, 675, 691, 661, 660, 407,  
D6/677, 681.2, 675.1; D23/206;  
D30/101, 108; D11/131, 184, 164, 157;  
D25/128; D26/104, 105; 381/388;  
312/7.1, 138.1; 248/441.1, 176.1, 638;  
188/268; D7/610; 211/40  
CPC . H04R 25/00; H04R 1/02; H04R 5/02; H04R  
9/08; F16M 11/00; A47G 1/16; A47G  
23/02; B65D 9/18; A01K 63/00; B65G  
5/00; A47B 63/00  
See application file for complete search history.

- (56) **References Cited**  
U.S. PATENT DOCUMENTS  
520,430 A \* 5/1894 Hoggson ..... 248/158  
1,629,946 A \* 5/1927 Angel ..... F21S 6/005  
362/238  
D141,421 S \* 5/1945 Fischel ..... D26/104  
D183,247 S \* 7/1958 Dodge et al. .... D11/164  
D183,387 S \* 8/1958 Flauder ..... D11/164  
D187,134 S \* 2/1960 Tangrey ..... D11/164

- 3,065,506 A \* 11/1962 Tremer ..... E04F 15/02458  
52/126.6
- 3,307,814 A \* 3/1967 Bogar, Jr. .... F16M 11/2057  
248/188.5
- 3,467,033 A \* 9/1969 Remer ..... A47C 9/10  
108/150
- 4,050,604 A \* 9/1977 Flanders ..... B65D 7/24  
220/4.28
- 4,078,757 A \* 3/1978 Waters ..... A47B 19/02  
108/150
- D255,628 S \* 7/1980 Van Koert ..... D6/691.4
- 4,236,665 A \* 12/1980 Glass ..... A47G 29/1216  
232/39
- D265,033 S \* 6/1982 Sogoian ..... D6/691
- D267,161 S \* 12/1982 Goldman ..... D11/131
- D278,941 S \* 5/1985 Bohnsack ..... D30/101
- D307,638 S \* 5/1990 Perkins ..... D26/104
- D318,672 S \* 7/1991 Derain ..... D14/224
- 5,035,332 A \* 7/1991 Stravitz ..... G11B 33/0483  
211/40

(Continued)

FOREIGN PATENT DOCUMENTS

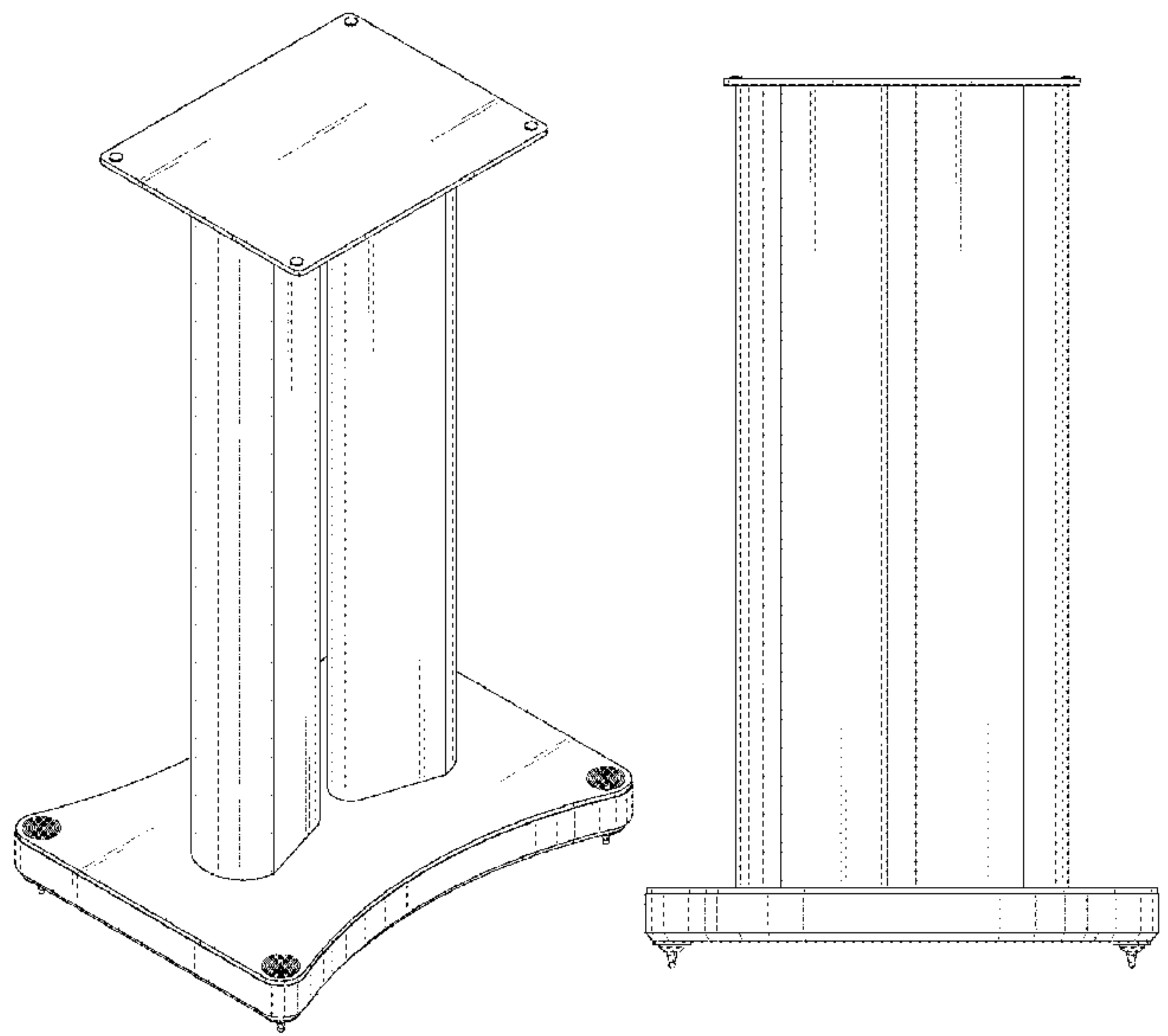
JP D1225763 \* 11/2004  
*Primary Examiner* — Paula Allen Greene  
 (74) *Attorney, Agent, or Firm* — Sughrue Mion, PLLC

(57) **CLAIM**  
 The ornamental design for a stand for speaker, as shown and described.

**DESCRIPTION**

FIG. 1 is a perspective view of the front, top and right side of a stand for speaker showing my new design;  
 FIG. 2 is a front view thereof, and a rear view is a mirror image of the front view;  
 FIG. 3 is a left side view thereof, and a right side view is a mirror image of the left side view;  
 FIG. 4 is a top view thereof; and,  
 FIG. 5 is a bottom view thereof.

**1 Claim, 5 Drawing Sheets**



(56)

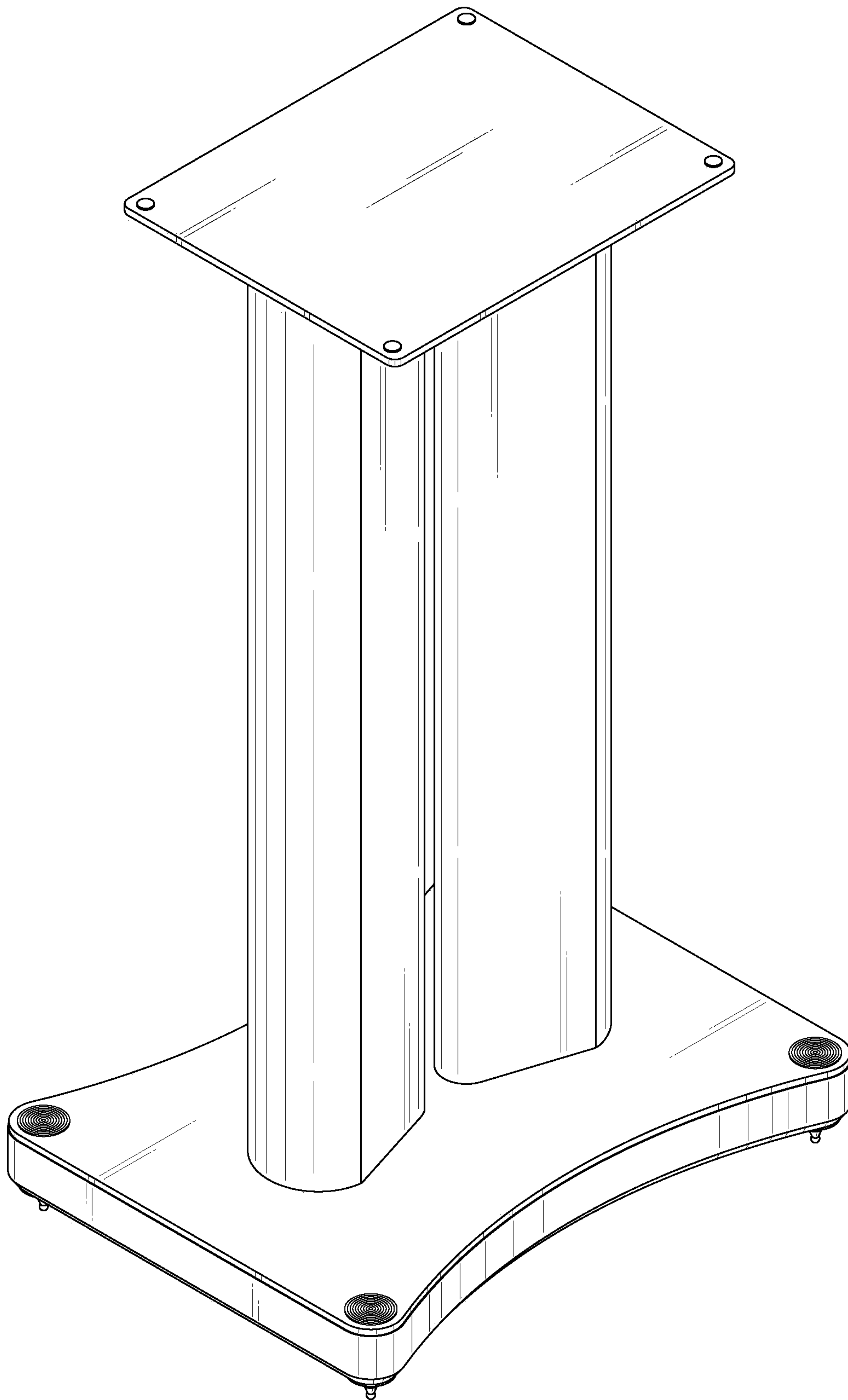
References Cited

U.S. PATENT DOCUMENTS

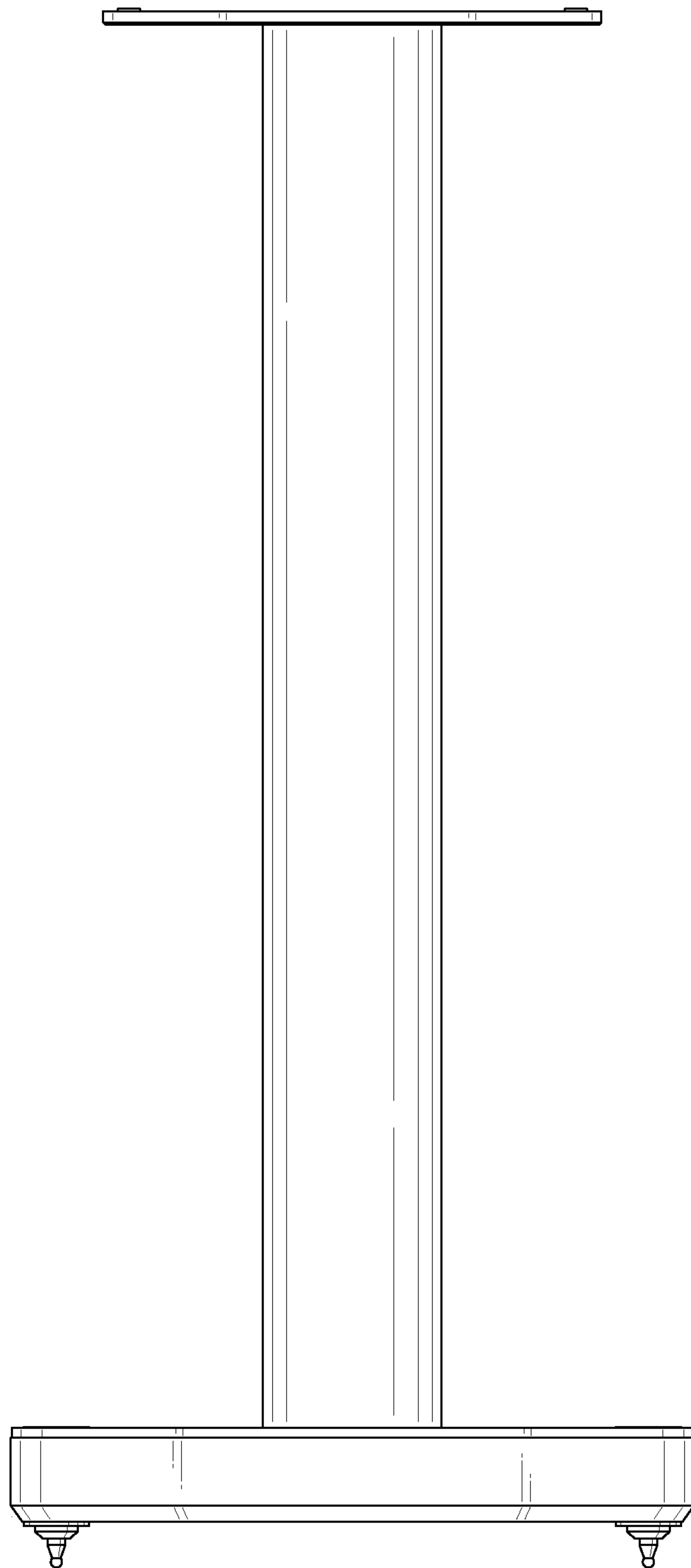
5,065,975 A \* 11/1991 Giles ..... A47G 29/1216  
 248/545  
 D328,898 S \* 8/1992 Christie ..... D14/211  
 5,169,104 A \* 12/1992 Kwoh ..... F16F 15/00  
 248/176.1  
 5,341,943 A \* 8/1994 Fraser ..... A47B 81/068  
 206/309  
 5,362,019 A \* 11/1994 Swanson ..... A47G 29/1216  
 232/39  
 D360,887 S \* 8/1995 Karnaze ..... D14/224  
 D373,000 S \* 8/1996 Brady ..... D20/41  
 D373,689 S \* 9/1996 Lladro Roig ..... D30/108  
 D373,912 S \* 9/1996 Lladro Roig ..... D6/677  
 D381,535 S \* 7/1997 Richardson ..... D6/407  
 5,787,621 A \* 8/1998 Leksell ..... G09F 15/0025  
 40/606.12  
 D400,735 S \* 11/1998 House ..... D14/448  
 D417,928 S \* 12/1999 Camacho ..... D26/106

D454,263 S \* 3/2002 Worrall ..... D14/224  
 D473,541 S \* 4/2003 Lloyd, Jr. .... D14/211  
 D487,204 S \* 3/2004 Calaboyias ..... D6/675  
 D488,803 S \* 4/2004 Chin ..... D14/211  
 6,976,434 B2 \* 12/2005 Roig ..... A47B 37/04  
 108/25  
 D579,926 S \* 11/2008 Whitworth ..... D14/224  
 D579,927 S \* 11/2008 Whitworth ..... D14/224  
 D581,697 S \* 12/2008 Fix ..... D6/681.2  
 D581,698 S \* 12/2008 Fix ..... D14/224  
 D611,726 S \* 3/2010 DeVelde ..... D6/661  
 D672,751 S \* 12/2012 Davies ..... D14/215  
 D741,840 S \* 10/2015 Morrison ..... D14/224  
 D756,040 S \* 5/2016 Rathbone ..... D30/101  
 D828,902 S \* 9/2018 Kent ..... D23/206  
 D828,903 S \* 9/2018 Kent ..... D23/206  
 D850,420 S \* 6/2019 Koskinen ..... D14/224  
 D915,359 S \* 4/2021 Zhang ..... D14/224  
 D921,616 S \* 6/2021 Rissanen ..... D14/224  
 D922,361 S \* 6/2021 Jin ..... D14/224

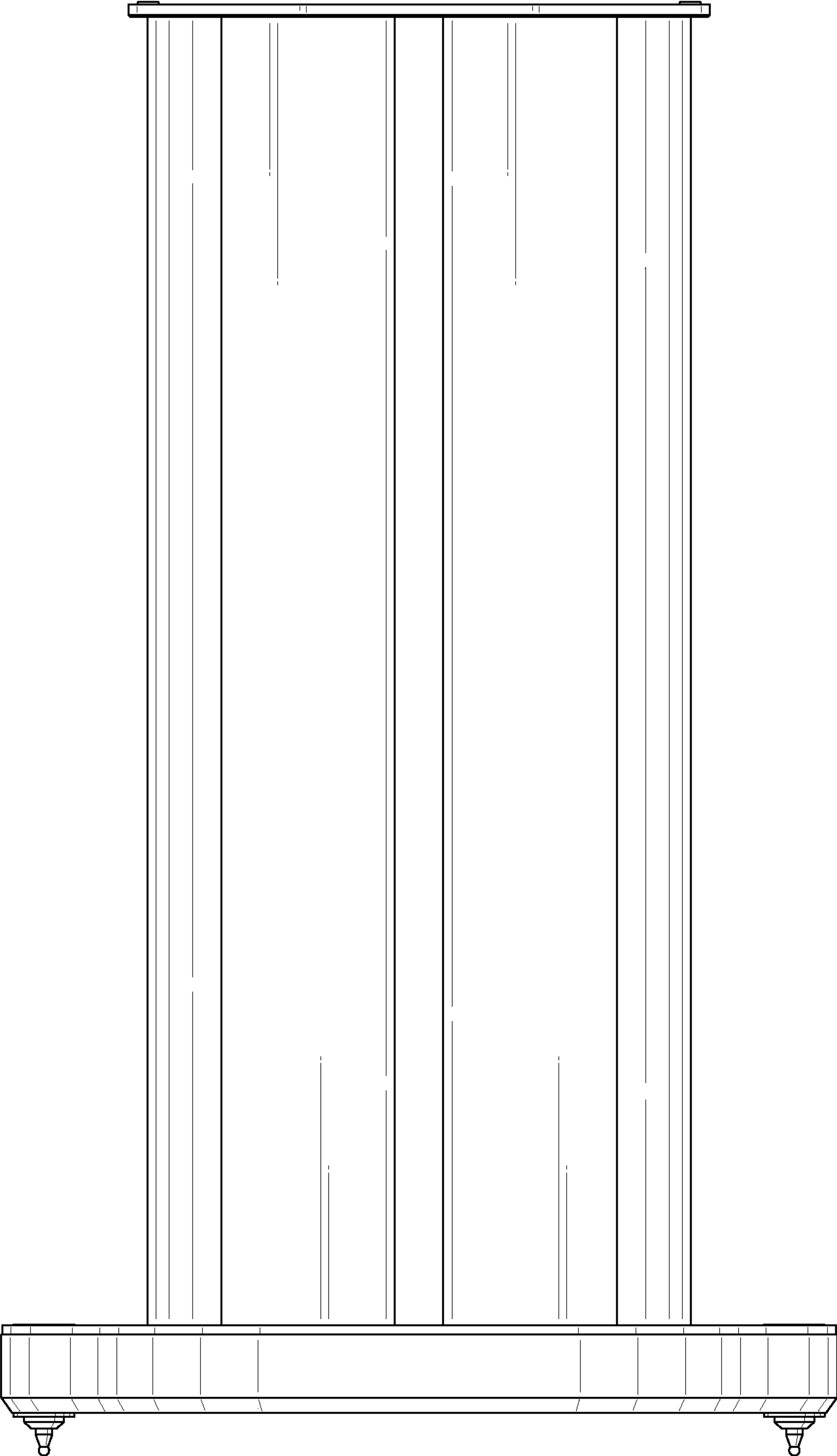
\* cited by examiner



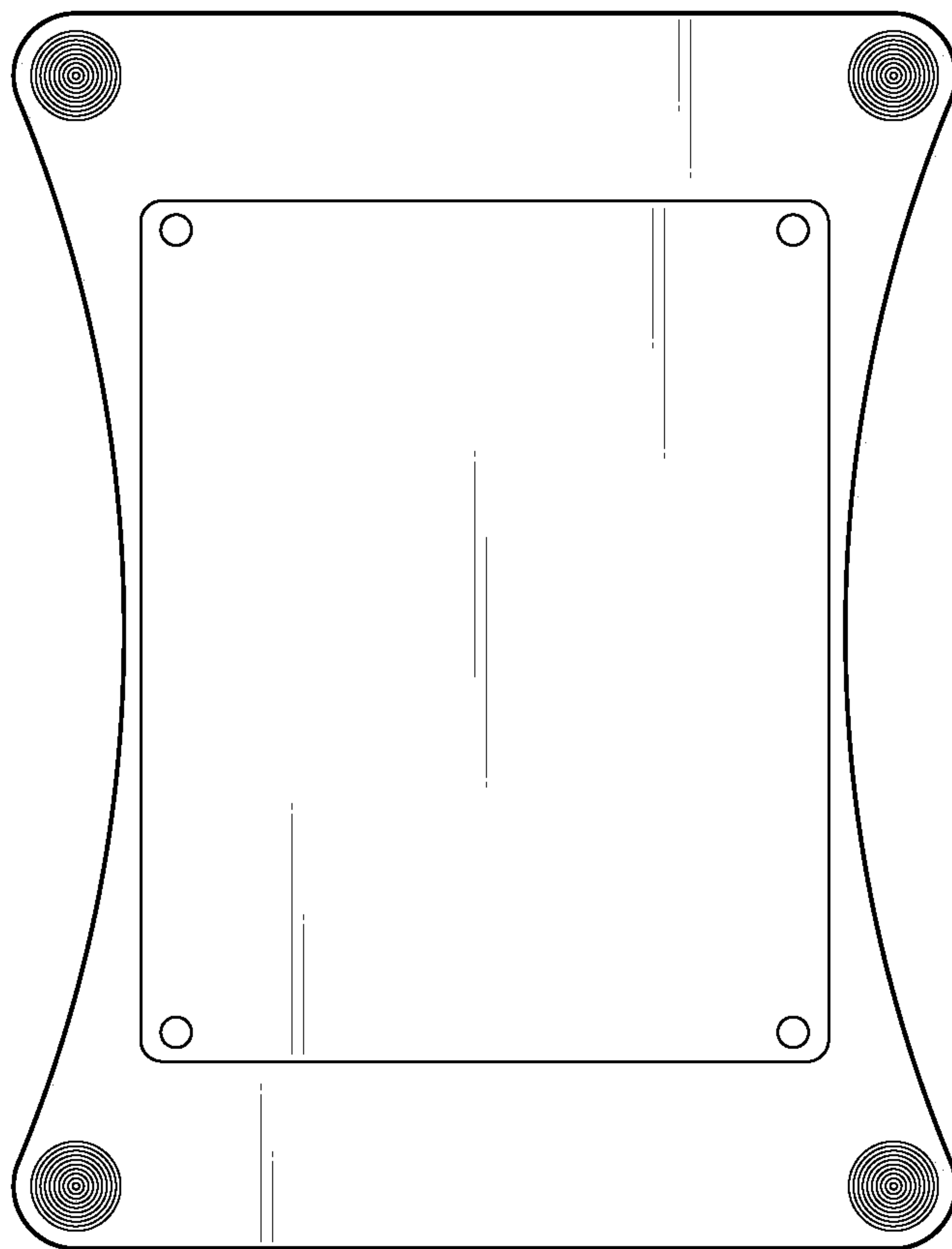
**FIG. 1**



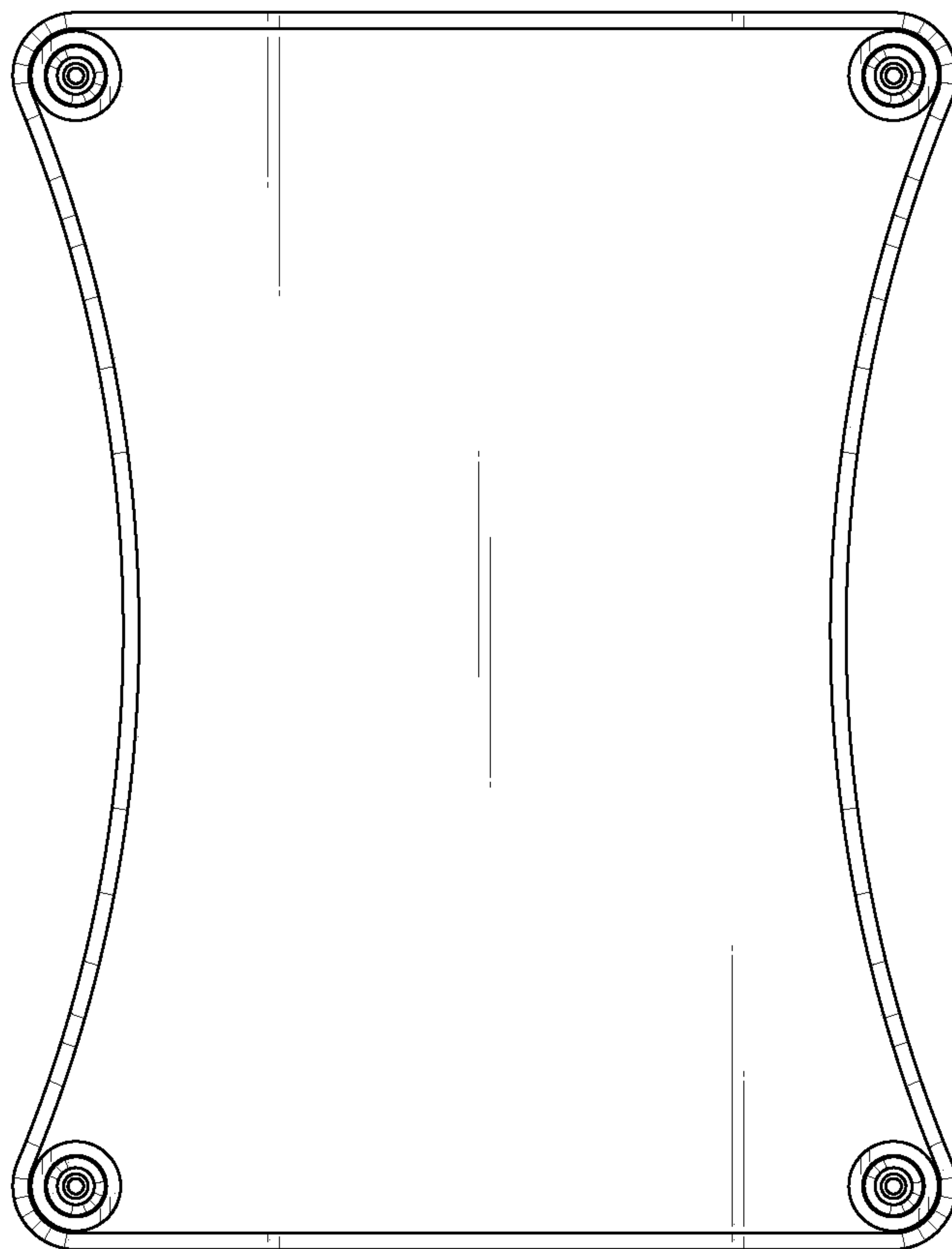
**FIG. 2**



**FIG. 3**



**FIG. 4**



**FIG. 5**