



US00D938937S

(12) **United States Design Patent** (10) **Patent No.:** **US D938,937 S**
Park (45) **Date of Patent:** **** *Dec. 21, 2021**

(54) **SOUND BAR**
(71) Applicant: **LG ELECTRONICS INC., Seoul (KR)**
(72) Inventor: **Sungyong Park, Seoul (KR)**
(73) Assignee: **LG ELECTRONICS INC., Seoul (KR)**
(*) Notice: This patent is subject to a terminal disclaimer.
(**) Term: **15 Years**

D825,527 S * 8/2018 Won D14/215
D835,606 S * 12/2018 Won D14/215
D835,607 S * 12/2018 Won D14/215
D835,608 S * 12/2018 Kim D14/215
D836,605 S * 12/2018 Kim D14/215
D849,716 S * 5/2019 Kim D14/215
D849,717 S * 5/2019 Kim D14/215
D859,361 S * 9/2019 Bang D14/215
D869,439 S * 12/2019 Kim D14/214
D869,441 S * 12/2019 Jeong D14/217
D870,076 S * 12/2019 Park D14/214
D883,953 S * 5/2020 Chong D14/214
D900,785 S * 11/2020 Kim D14/214
D900,786 S * 11/2020 Kim D14/214

(Continued)

(21) Appl. No.: **35/510,189**
(22) Filed: **Feb. 25, 2020**
(80) **Hague Agreement Data**
Int. Filing Date: **Feb. 25, 2020**
Int. Reg. No.: **DM/206705**
Int. Reg. Date: **Feb. 25, 2020**
Int. Reg. Pub. Date: **Aug. 28, 2020**

OTHER PUBLICATIONS

LG Soundbars at CES 2018, publication date Dec. 29, 2017, [online] URL: <https://www.avforum.com/lg-soundbars-ces-2018/> (Year: 2017).*

(Continued)

Primary Examiner — L. A. Grabenstetter
(74) *Attorney, Agent, or Firm* — Birch, Stewart, Kolasch & Birch, LLP

(30) **Foreign Application Priority Data**
Sep. 6, 2019 (KR) 30-2019-0043179
(51) **LOC (13) Cl.** **14-01**
(52) **U.S. Cl.**
USPC **D14/214; D14/215**
(58) **Field of Classification Search**
USPC D10/2, 15; D14/125–129, 132, 170–172, D14/214, 239, 336, 341, 373–377, 451, D14/900–902; D18/4.4–4.6
CPC G06F 1/1601; G06F 1/1605; G06F 1/162
See application file for complete search history.

(57) **CLAIM**

The ornamental design for a sound bar, as shown and described.

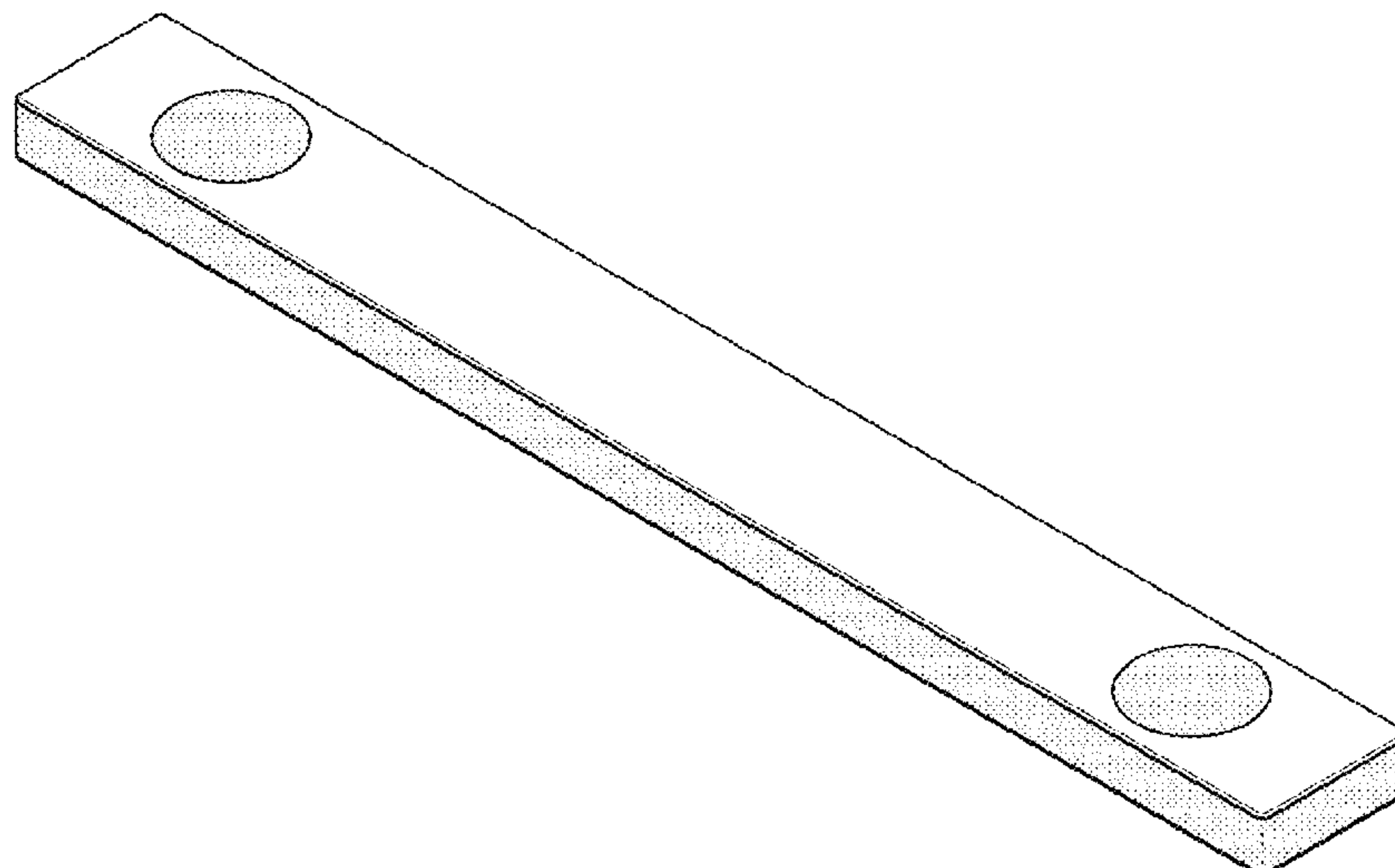
DESCRIPTION

- 1. Sound bar
- 1.1 : Perspective
- 1.2 : Front
- 1.3 : Back
- 1.4 : Left
- 1.5 : Right
- 1.6 : Top
- 1.7 : Bottom

The broken lines indicate portions of the article that form no part of the claimed design.

(56) **References Cited**
U.S. PATENT DOCUMENTS
D819,598 S * 6/2018 Won D14/215
D824,352 S * 7/2018 Kim D14/126

1 Claim, 7 Drawing Sheets



(56)

References Cited

U.S. PATENT DOCUMENTS

D904,342 S * 12/2020 Kim D14/214

OTHER PUBLICATIONS

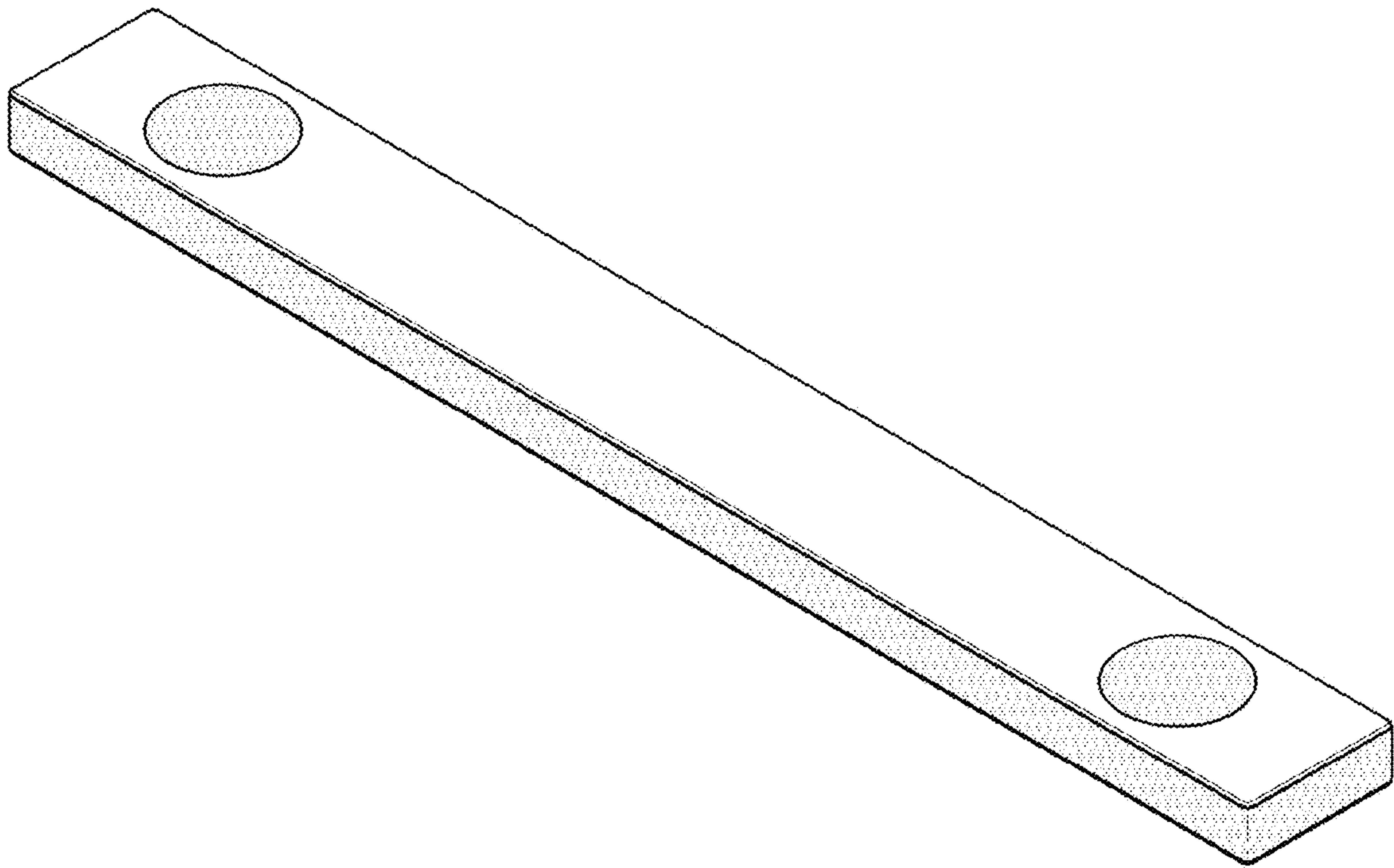
LG SL9YG review, publication date Oct. 5, 2019, [online] URL:
<https://www.cnet.com/reviews/lg-sl9yg-review/> (Year: 2019).*

LG's new Soundbar lineup, publication date Dec. 27, 2019, [online]
URL: www.lgnewsroom.com/2019/12/lgs-new-soundbar-lineup-brings-premium-audio-experience-to-even-more-consumers/ (Year: 2019).*

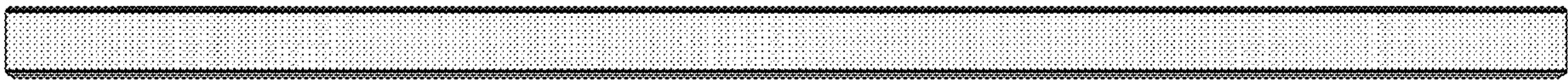
LG's 2020 soundbars, publication date Dec. 27, 2019, [online]
URL: <https://www.engadget.com/2019-12-26-lg-soundbar-ai-ces2020.html> (Year: 2019).*

* cited by examiner

1.1



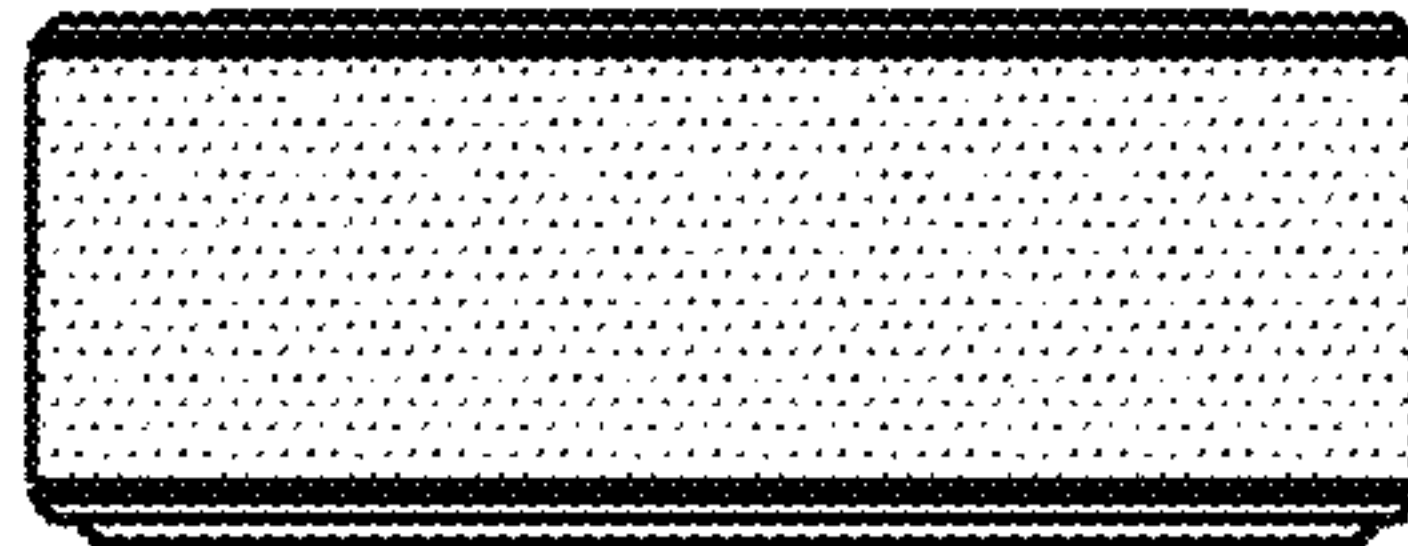
1.2



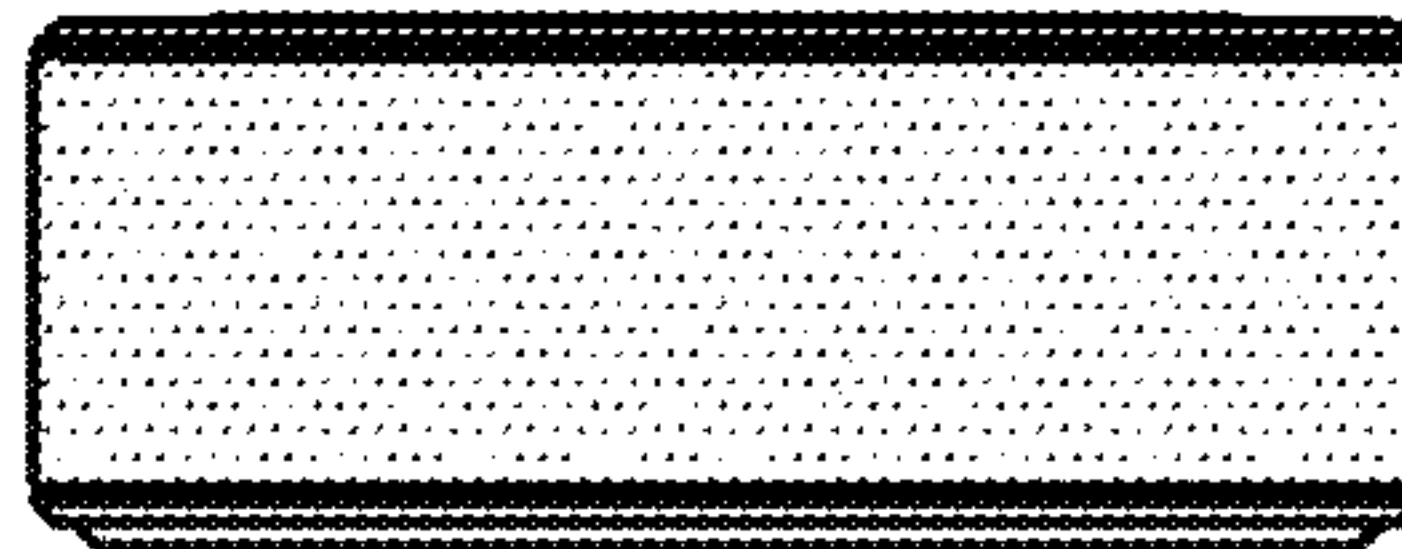
1.3



1.4



1.5



1.6



1.7

