



US00D938936S

(12) **United States Design Patent** (10) **Patent No.:** **US D938,936 S**
Wang (45) **Date of Patent:** **** Dec. 21, 2021**

(54) **HOST FOR TELEVISION**
(71) Applicant: **BEIJING XIAOMI MOBILE SOFTWARE CO., LTD.**, Beijing (CN)
(72) Inventor: **Luxi Wang**, Beijing (CN)
(73) Assignee: **BEIJING XIAOMI MOBILE SOFTWARE CO., LTD.**, Beijing (CN)
(**) Term: **15 Years**

D688,231 S * 8/2013 Nishii D14/214
D715,257 S * 10/2014 Son D14/214
D715,768 S * 10/2014 Ryu D14/214
D722,587 S * 2/2015 Green D14/188
D754,100 S * 4/2016 McManigal D14/214
D759,624 S * 6/2016 Byrd D14/204
D759,629 S * 6/2016 Kusano D14/214
D760,685 S * 7/2016 Sugiura D14/204
D764,440 S * 8/2016 Xin D14/214
D768,603 S * 10/2016 Kim D14/214
D778,259 S * 2/2017 Bouroullec D14/214
D791,736 S * 7/2017 Schoolmeester D14/214

(Continued)

(21) Appl. No.: **35/509,067**

(22) Filed: **Sep. 27, 2019**

(80) **Hague Agreement Data**

Int. Filing Date: **Sep. 27, 2019**
Int. Reg. No.: **DM/206884**
Int. Reg. Date: **Sep. 27, 2019**
Int. Reg. Pub. Date: **Apr. 10, 2020**

(30) **Foreign Application Priority Data**

Apr. 3, 2019 (CN) 201930147395.1

(51) **LOC (13) Cl.** **14-02**

(52) **U.S. Cl.**
USPC **D14/214; D14/221**

(58) **Field of Classification Search**

USPC D14/125, 172, 188, 194, 203.1, 204,
D14/209.1, 211, 212, 214, 215, 216, 221,
D14/496, 224.1

CPC H04R 2420/07; H04R 5/02; H04R 1/403;
H04R 2201/028

See application file for complete search history.

(56) **References Cited**

U.S. PATENT DOCUMENTS

D540,310 S * 4/2007 Yuyama D14/214
D546,815 S * 7/2007 Schmieta D14/214
D660,284 S * 5/2012 Carbone D14/214

OTHER PUBLICATIONS

Unboxing Xiaomi Mi TV 3 Cinema 55 inch, publication date Nov. 10, 2015, [online][site visited Feb. 22, 2021] URL: <https://www.youtube.com/watch?app=desktop&v=oNVq7JWSaMM> (Year: 2015).*

(Continued)

Primary Examiner — L. A. Grabenstetter

(74) *Attorney, Agent, or Firm* — Syncoda LLC; Feng Ma

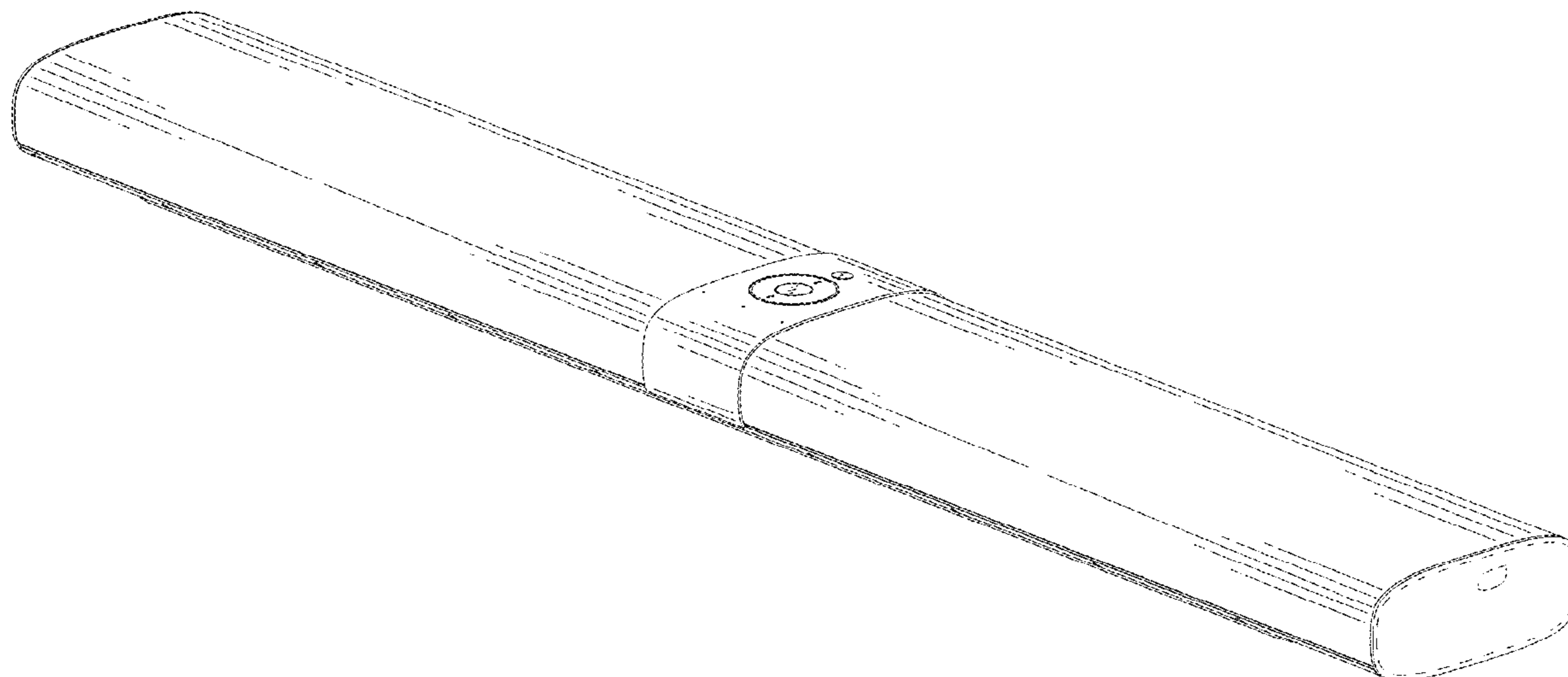
(57) **CLAIM**

The ornamental design for a host for television, as shown and described.

DESCRIPTION

1.-2. Host for television
1.1 is a front view thereof of a host for television showing our new design;
1.2 is a rear view thereof;
1.3 is a left view thereof;
1.4 is a right view thereof;
1.5 is a top view thereof;
1.6 is a bottom view thereof;
1.7 is a bottom perspective view thereof; and
1.8 is a top perspective view thereof.
The broken lines, and regions surrounded on all sides by broken lines, depict portions of article that form no part of the claimed design.

1 Claim, 8 Drawing Sheets



(56)

References Cited

U.S. PATENT DOCUMENTS

D799,445 S * 10/2017 Carbone D14/214
D800,693 S * 10/2017 Sugiura D14/214
D826,216 S * 8/2018 Schoolmeester D14/214
D826,892 S * 8/2018 Kim D14/204
D827,597 S * 9/2018 Cheng D14/125
D835,605 S * 12/2018 Schoolmeester D14/214
D836,082 S * 12/2018 McManigal D14/204
2008/0260178 A1 * 10/2008 Tanaka H04R 1/406
381/92
2012/0300962 A1 * 11/2012 Devoto H04R 5/02
381/300

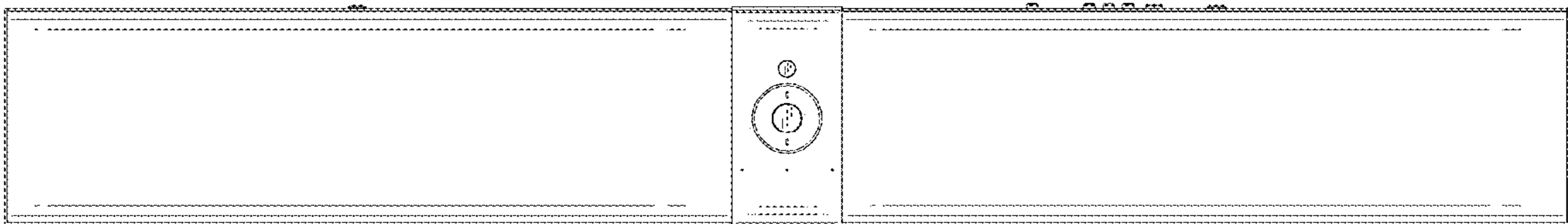
OTHER PUBLICATIONS

SONOS Playbar review, publication date Dec. 11, 2014, [online]
URL: <https://www.ubergizmo.com/reviews/sonos-playbar-review/> (Year:
2014).*

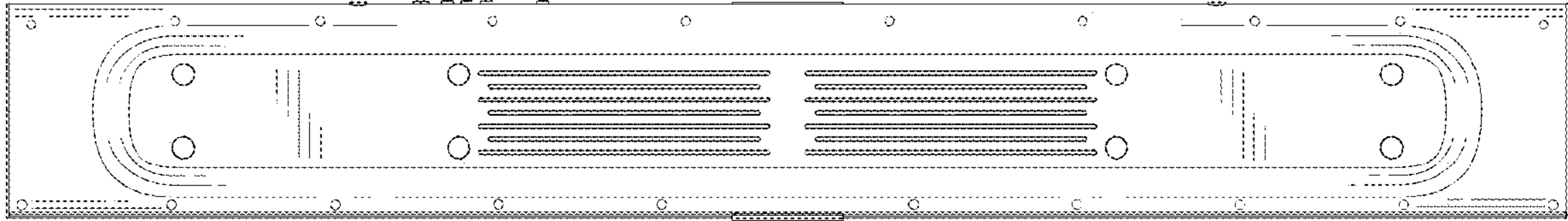
Xiaomi Launches 4.9mm Thin Mi TV 4 in China, publication date
May 22, 2017, [online] URL: [https://www.lowyat.net/2017/132053/
xiaomi-launches-4-9mm-thin-mi-tv-4-china-retails-3499-yuan/](https://www.lowyat.net/2017/132053/xiaomi-launches-4-9mm-thin-mi-tv-4-china-retails-3499-yuan/) (Year:
2017).*

Xiaomi Mi TV 4 Is A Modular And Ridiculously Thin TV, publi-
cation date Jan. 5, 2017, [online] URL: [https://www.ubergizmo.
com/2017/01/xiaomi-mi-tv-4-is-a-modular-and-ridiculously-thin-
tv/](https://www.ubergizmo.com/2017/01/xiaomi-mi-tv-4-is-a-modular-and-ridiculously-thin-tv/) (Year: 2017).*

* cited by examiner



1.1



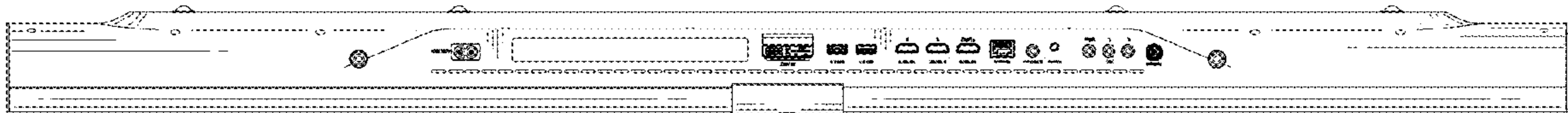
1.2



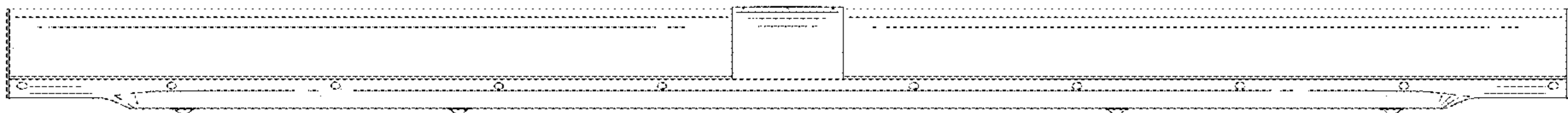
1.3



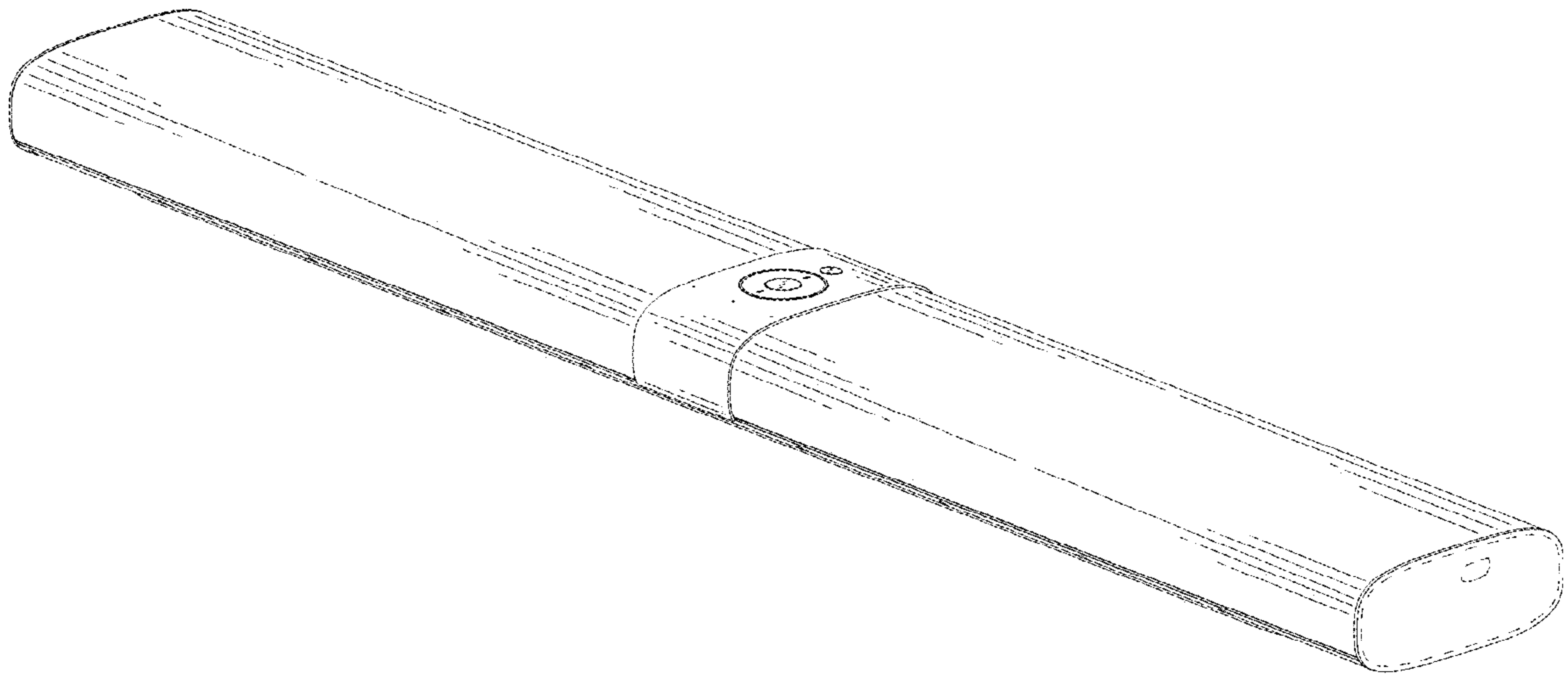
1.4



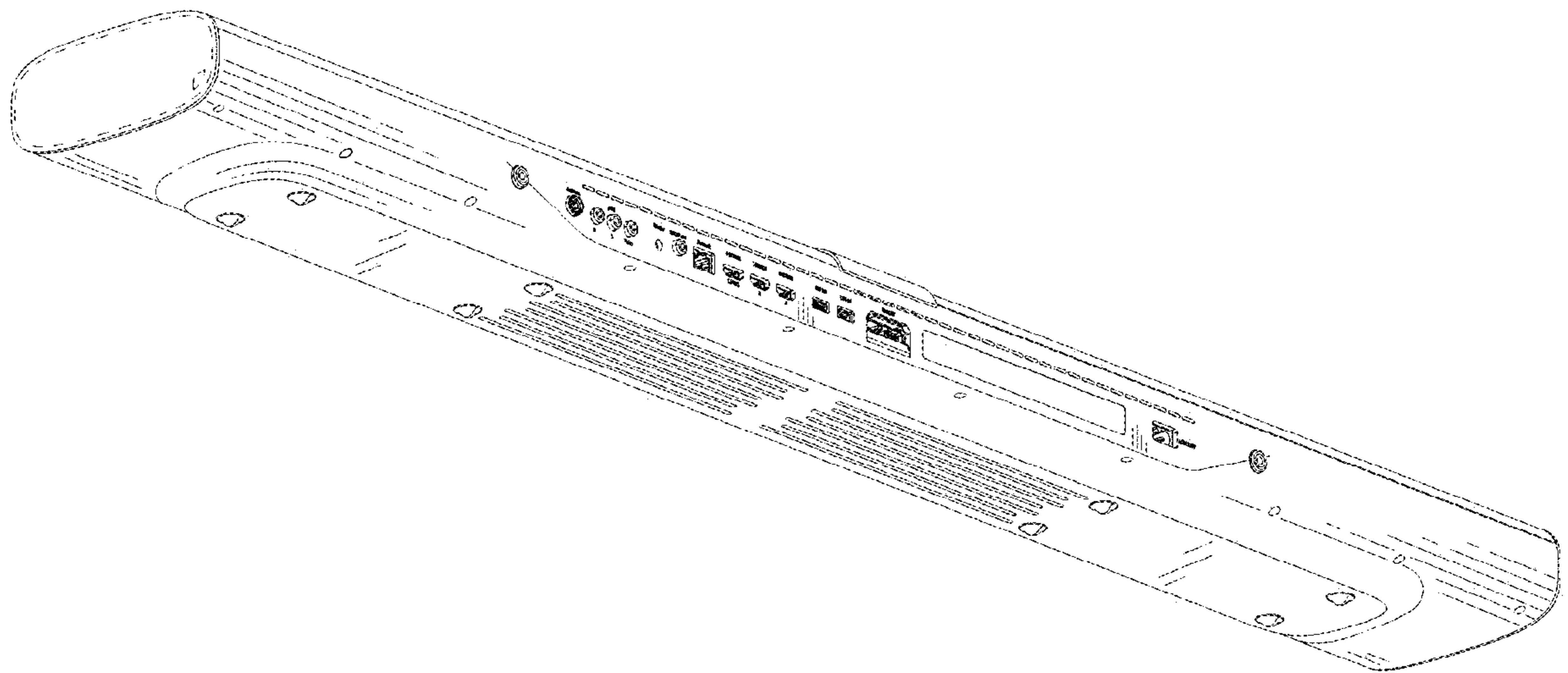
1.5



1.6



1.7



1.8