



US00D938934S

(12) **United States Design Patent**
Tsubone et al.

(10) **Patent No.:** **US D938,934 S**
(45) **Date of Patent:** **** Dec. 21, 2021**

(54) **HEADPHONE**
(71) Applicant: **Audio-Technica Corporation**, Tokyo (JP)
(72) Inventors: **Kodai Tsubone**, Tokyo (JP); **Yutaro Kumagai**, Kanagawa (JP)
(73) Assignee: **AUDIO-TECHNICA CORPORATION**, Tokyo (JP)
(**) Term: **15 Years**
(21) Appl. No.: **29/724,170**
(22) Filed: **Feb. 13, 2020**

6,993,143 B2 * 1/2006 Harris H04R 1/1066
381/374
D585,872 S * 2/2009 Lee D14/205
D594,847 S * 6/2009 Suzuki D14/205
D600,674 S * 9/2009 Brennwald D14/205
D603,370 S * 11/2009 Suzuki D14/205
D616,865 S * 6/2010 Marchand D14/205
D623,167 S * 9/2010 Hildebrandt D14/205
D637,579 S * 5/2011 Hamaura D14/205
D639,775 S * 6/2011 Horibe D14/205
D642,554 S * 8/2011 Schaal D14/205
D652,405 S * 1/2012 Lee D14/205
8,098,872 B2 * 1/2012 Chang H04R 1/1075
381/371
D657,346 S * 4/2012 Park D14/205
D662,080 S * 6/2012 Carr D14/205
D663,716 S * 7/2012 Hardi D14/205
D665,775 S * 8/2012 Katsumata D14/205
(Continued)

(30) **Foreign Application Priority Data**

Aug. 21, 2019 (JP) 2019-018370
(51) **LOC (13) Cl.** **14-01**
(52) **U.S. Cl.**
USPC **D14/205**
(58) **Field of Classification Search**
USPC D14/205, 188, 192; D29/112; 2/209;
381/380, 381, 374, 74; 455/90.3, 575.1,
455/569.1
CPC H04R 25/00; H04R 25/02; H04R 1/10;
H04R 1/1066; H04R 1/1016; H04R
5/033; H04R 5/0335; H04R 1/105; H04R
1/1058; H04R 1/1091
See application file for complete search history.

FOREIGN PATENT DOCUMENTS

CN 303931578 * 11/2016
CN 305092663 * 4/2019
(Continued)

Primary Examiner — Paula Allen Greene
(74) *Attorney, Agent, or Firm* — W&C IP

(57) **CLAIM**

The ornamental design for a headphone, as shown and described.

DESCRIPTION

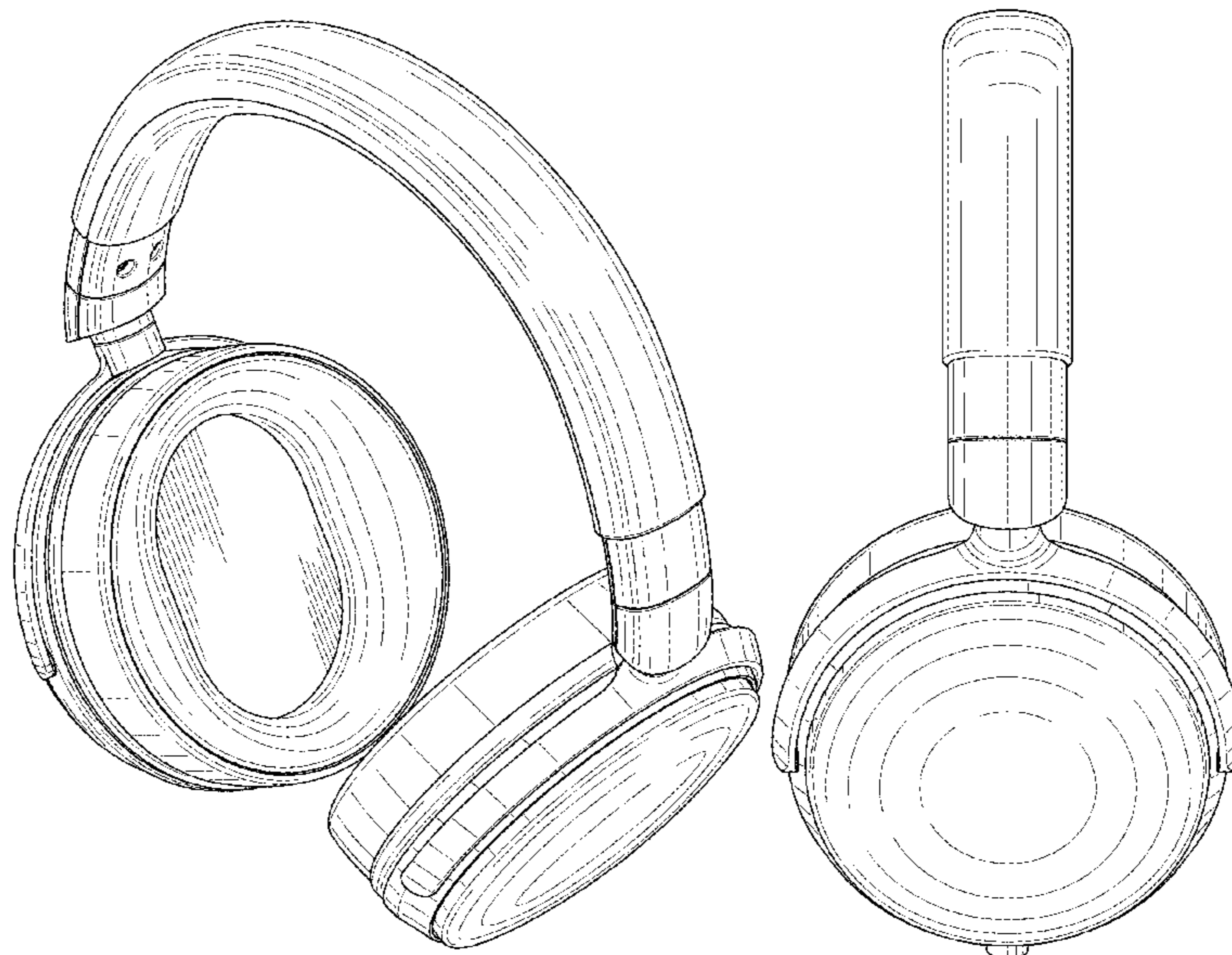
FIG. 1 is a perspective view of a headphone, showing our design;
FIG. 2 is a front view thereof;
FIG. 3 is a rear view thereof;
FIG. 4 is a top plan view thereof;
FIG. 5 is a bottom plan view thereof;
FIG. 6 is a left side view thereof; and,
FIG. 7 is a right side view thereof.

1 Claim, 6 Drawing Sheets

(56) **References Cited**

U.S. PATENT DOCUMENTS

3,787,899 A * 1/1974 Krawagna H04R 1/1066
2/209
D328,461 S * 8/1992 Daido D14/205
D386,181 S * 11/1997 Fisher D14/192
D431,550 S * 10/2000 Yoneda D14/205



(56)

References Cited

U.S. PATENT DOCUMENTS

D666,990 S * 9/2012 Komiyama D14/205
 D671,914 S * 12/2012 Lee D14/205
 D673,136 S * 12/2012 Kelly D14/205
 D677,242 S * 3/2013 Lee D14/205
 D683,329 S * 5/2013 Hagelin D14/205
 D684,559 S * 6/2013 Groset D14/205
 D691,579 S * 10/2013 Lee D14/205
 D706,240 S * 6/2014 Szymanski H04R 1/1066
 D706,241 S * 6/2014 Szymanski H04R 1/1066
 D712,872 S * 9/2014 Yuen D14/205
 D715,255 S * 10/2014 Nunez D14/205
 D716,255 S * 10/2014 Cho D14/205
 D719,136 S * 12/2014 Schaal D14/206
 D721,052 S * 1/2015 Carr D14/205
 D722,589 S * 2/2015 Lu D14/205
 D722,998 S * 2/2015 Sancho D14/205
 D729,194 S * 5/2015 Boeckel D14/205
 D729,196 S * 5/2015 Liu D14/205
 D734,297 S * 7/2015 Sasaki D14/205
 D737,799 S * 9/2015 Carr D14/205
 D739,842 S * 9/2015 Birger D14/205
 D741,286 S * 10/2015 Brennwald D14/205
 D741,290 S * 10/2015 Schaal D14/205
 9,161,117 B2 * 10/2015 Blonder H04R 1/1066
 D750,041 S * 2/2016 Birger D14/205
 D752,017 S * 3/2016 Daniel D14/205
 D757,680 S * 5/2016 Kelly D14/205
 D758,990 S * 6/2016 Jiang D14/205
 D761,759 S * 7/2016 He D14/204
 D775,104 S * 12/2016 Lee D14/205
 D780,713 S * 3/2017 Szymanski D14/205
 D794,602 S * 8/2017 Riggs D14/205
 D800,691 S * 10/2017 Ando D14/205
 D811,364 S * 2/2018 Park D14/205
 D817,303 S * 5/2018 Tragatschnig D14/205
 10,015,580 B1 * 7/2018 Bruno H04R 5/033
 D826,895 S * 8/2018 Sharp D14/205
 D828,326 S * 9/2018 Ye D14/205

D830,334 S * 10/2018 Carr D14/205
 D836,084 S * 12/2018 Xie D14/205
 D837,763 S * 1/2019 Suzuki D14/205
 D843,345 S * 3/2019 Brunner D14/205
 D852,163 S * 6/2019 Nagamine D14/205
 10,405,081 B2 * 9/2019 Hviid H04M 1/6066
 D865,706 S * 11/2019 Li D14/205
 D868,729 S * 12/2019 Czaniecki D14/205
 D879,065 S * 3/2020 Chan D14/205
 D890,123 S * 7/2020 Yoshimura D14/205
 D892,079 S * 8/2020 Wu D14/205
 D893,450 S * 8/2020 Matsubara D14/205
 D893,451 S * 8/2020 Nagamine D14/205
 D894,151 S * 8/2020 Nagamine D14/205
 D901,436 S * 11/2020 Peng D14/205
 D904,339 S * 12/2020 Wang D14/205
 D908,663 S * 1/2021 Tamamura D14/205
 D918,171 S * 5/2021 Nakayama D14/205
 D919,603 S * 5/2021 Xia D14/223
 D923,600 S * 6/2021 Shibukawa D14/205
 2004/0216946 A1 * 11/2004 Lenhard-Backhaus
 H04R 1/1066
 181/129
 2010/0310093 A1 * 12/2010 Semcken H04R 1/1058
 381/104
 2012/0140973 A1 * 6/2012 Olodort H04R 1/1066
 381/375
 2013/0087404 A1 * 4/2013 Peskar B32B 27/40
 181/129
 2017/0085975 A1 * 3/2017 Nagata H04R 1/105
 2019/0116411 A1 * 4/2019 Duckwall H04R 1/1016
 2019/0394554 A1 * 12/2019 Lee H01M 50/209
 2020/0213703 A1 * 7/2020 Yoneyama H04R 1/1075
 2020/0288234 A1 * 9/2020 Fletcher H04R 1/1008

FOREIGN PATENT DOCUMENTS

CN 305851246 * 6/2020
 EM 008408066-0001 * 1/2021
 EM 008595177-0001 * 6/2021
 GB 9008308431-0001 * 12/2020
 JP D1662673 * 6/2020

* cited by examiner

Figure 1

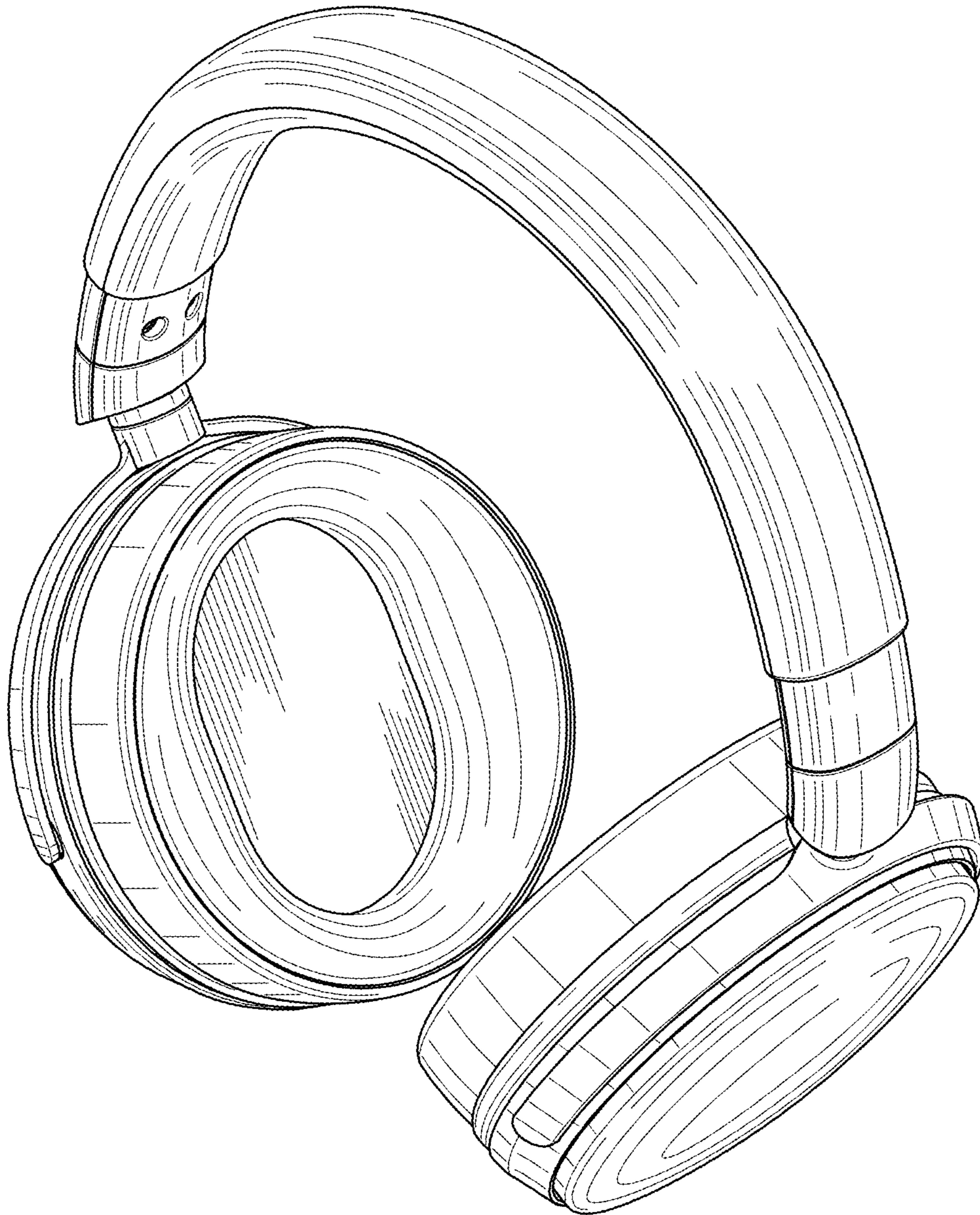


Figure 2



Figure 3



Figure 4

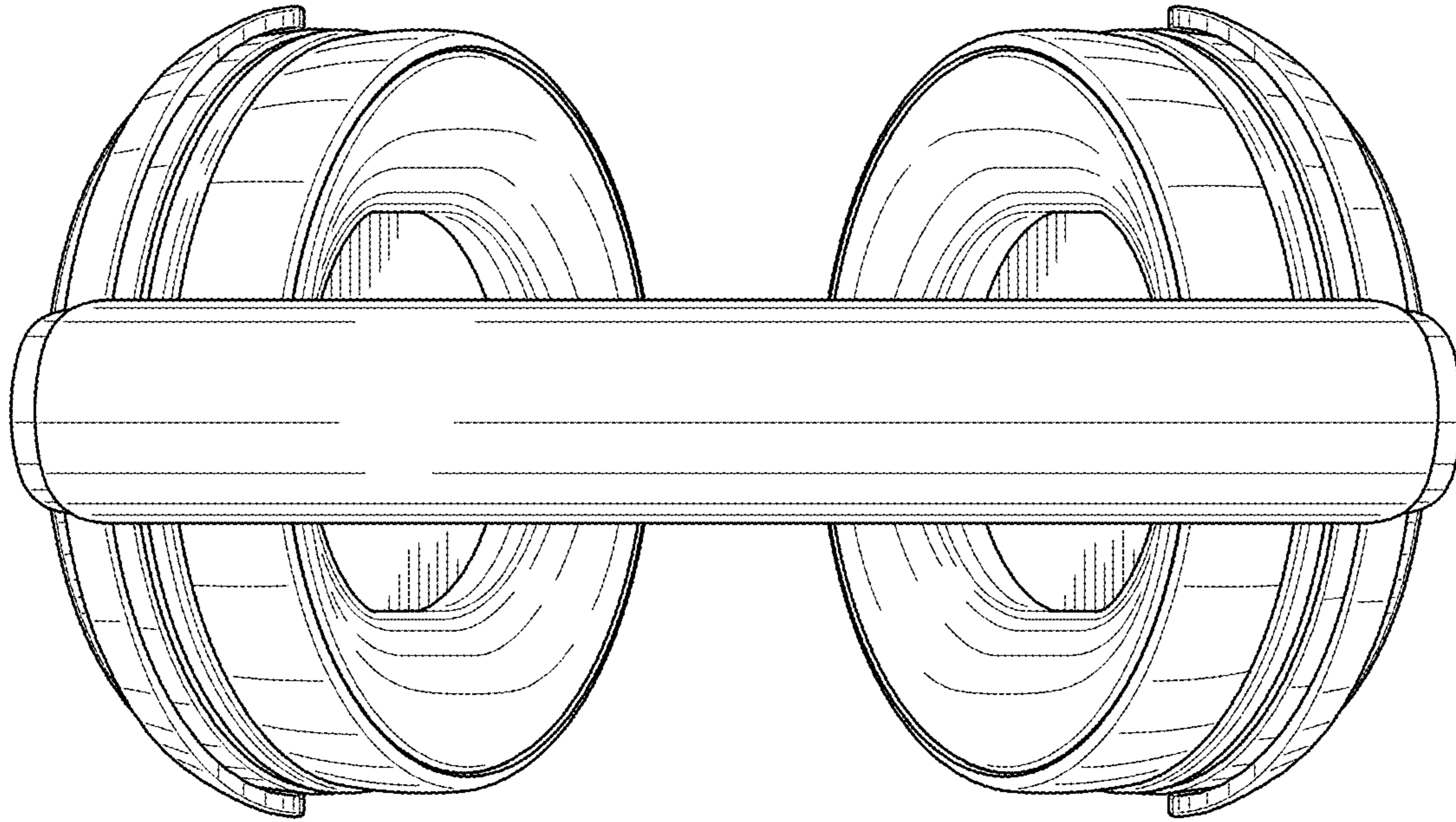


Figure 5

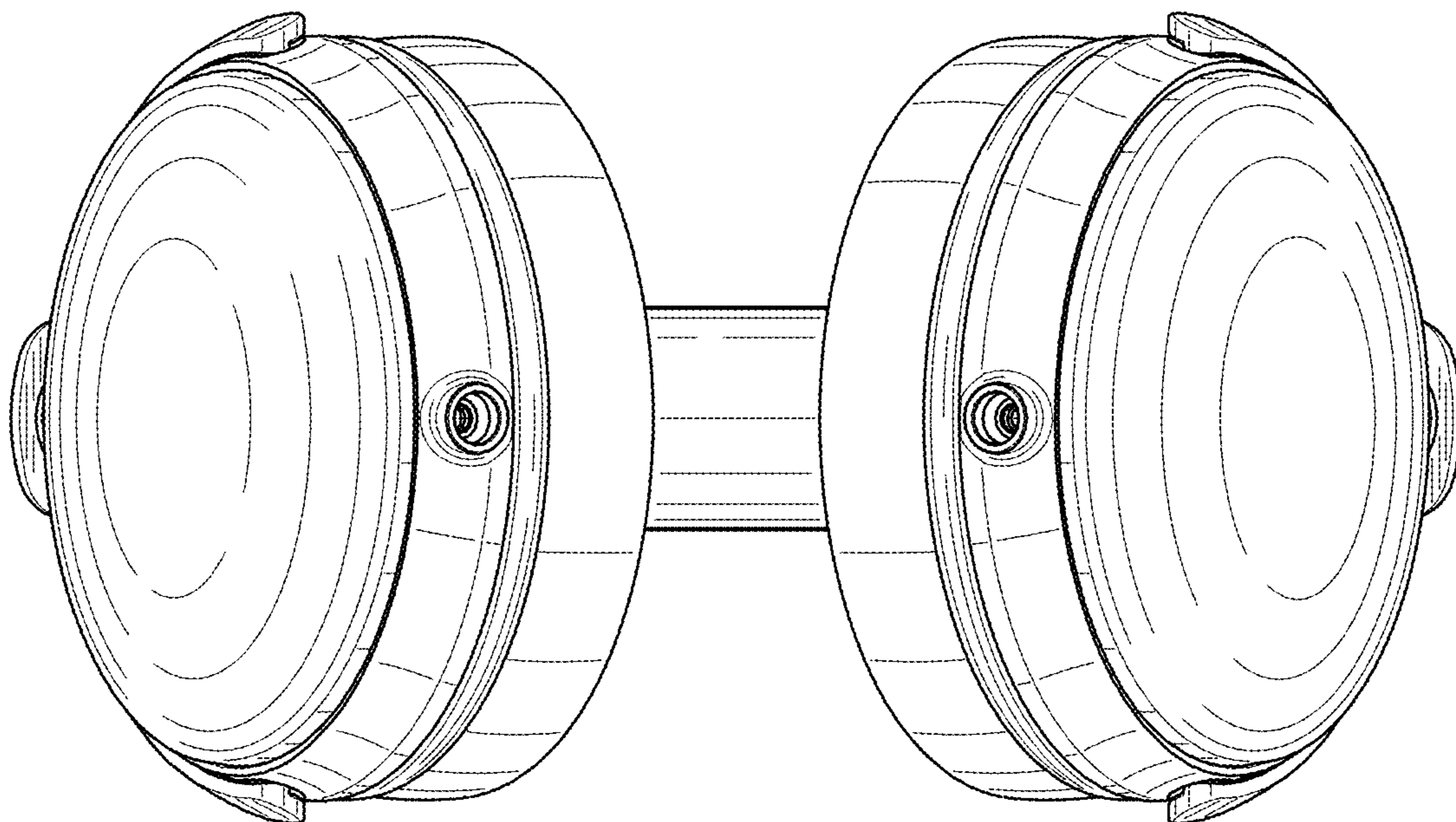


Figure 6

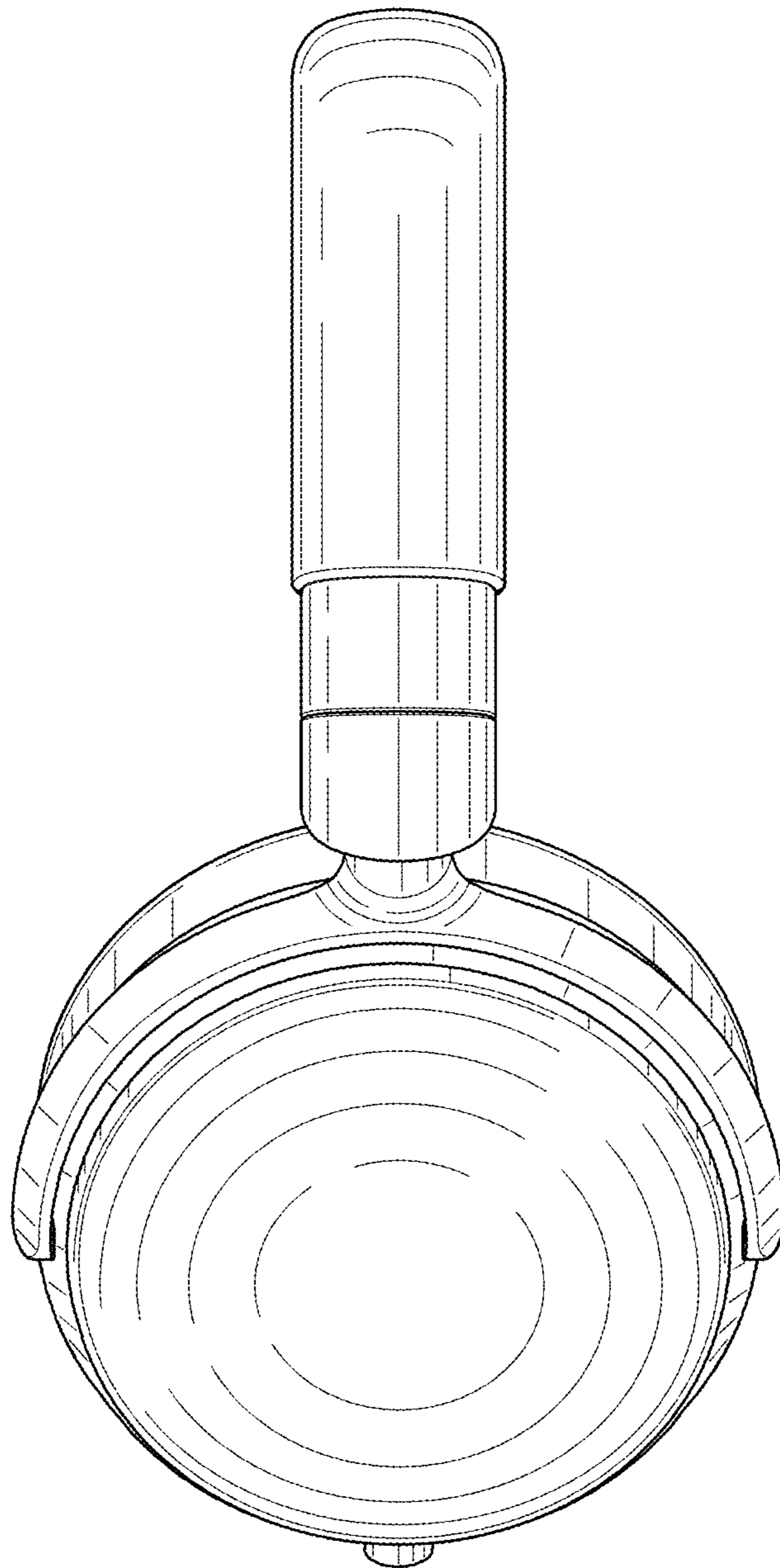


Figure 7

