



US00D938932S

(12) **United States Design Patent**  
**Huang**

(10) **Patent No.:** **US D938,932 S**

(45) **Date of Patent:** **\*\* Dec. 21, 2021**

- (54) **BLUETOOTH SPEAKER**
- (71) Applicant: **Shenzhen QiAo Communication Tech Co., Ltd., Shenzhen (CN)**
- (72) Inventor: **Hongping Huang, Shenzhen (CN)**
- (73) Assignee: **SHENZHEN QIAO COMMUNICATION TECH CO., LTD., Shenzhen (CN)**

D825,529 S *	8/2018	Huang	.....	D14/216
D828,333 S *	9/2018	Hu	.....	D14/216
D829,690 S *	10/2018	Chen	.....	D14/216
D845,924 S *	4/2019	Pedersen	.....	D14/149
D859,350 S *	9/2019	Pedersen	.....	D14/149

(Continued)

(\*\*) Term: **15 Years**

(21) Appl. No.: **29/716,021**

(22) Filed: **Dec. 5, 2019**

(51) **LOC (13) Cl.** ..... **14-01**

(52) **U.S. Cl.**  
USPC ..... **D14/204**

(58) **Field of Classification Search**  
USPC ..... D14/204–216, 155–159, 160–173, 187,  
D14/188, 203.1–203.8, 217–222,  
D14/225–229, 496; D21/597  
CPC ..... H04R 1/02; H04R 1/021; H04R 1/023;  
H04R 5/00; H04R 9/06; H04R 2420/07  
See application file for complete search history.

(56) **References Cited**

**U.S. PATENT DOCUMENTS**

D262,392 S *	12/1981	Murasaki	.....	D21/601
D482,020 S *	11/2003	Olson	.....	D14/216
D636,760 S *	4/2011	Cheng	.....	D14/216
D641,732 S *	7/2011	Liner	.....	D14/216
D643,408 S *	8/2011	Huang	.....	D14/216
D714,883 S *	10/2014	Michalowski	.....	D21/597
D728,525 S *	5/2015	Zhang	.....	D14/216
D737,249 S *	8/2015	Zhao	.....	D14/216
D765,795 S *	9/2016	Bargiel	.....	D21/473
D768,113 S *	10/2016	Lee	.....	D14/216
D770,415 S *	11/2016	Pellisari	.....	D14/216
D772,350 S *	11/2016	Norman	.....	D21/597
D822,004 S *	7/2018	Tan	.....	D14/216
D824,577 S *	7/2018	Hickman	.....	D26/98

**FOREIGN PATENT DOCUMENTS**

JP	D2018-9972	*	3/2019
JP	D2019-28074	*	6/2020

(Continued)

**OTHER PUBLICATIONS**

Jellyfish bluetooth speaker, date not available, [retrieved Nov. 4, 2020], Retrieved from Internet, URL: <https://www.globalsources.com/Bluetooth-speaker/jellyfish-speaker-cute-speaker-fish-speaker-1178620848p.htm#1178620848> (Year: 2020).\*

*Primary Examiner* — Barbara Fox  
*Assistant Examiner* — Aram Kwon

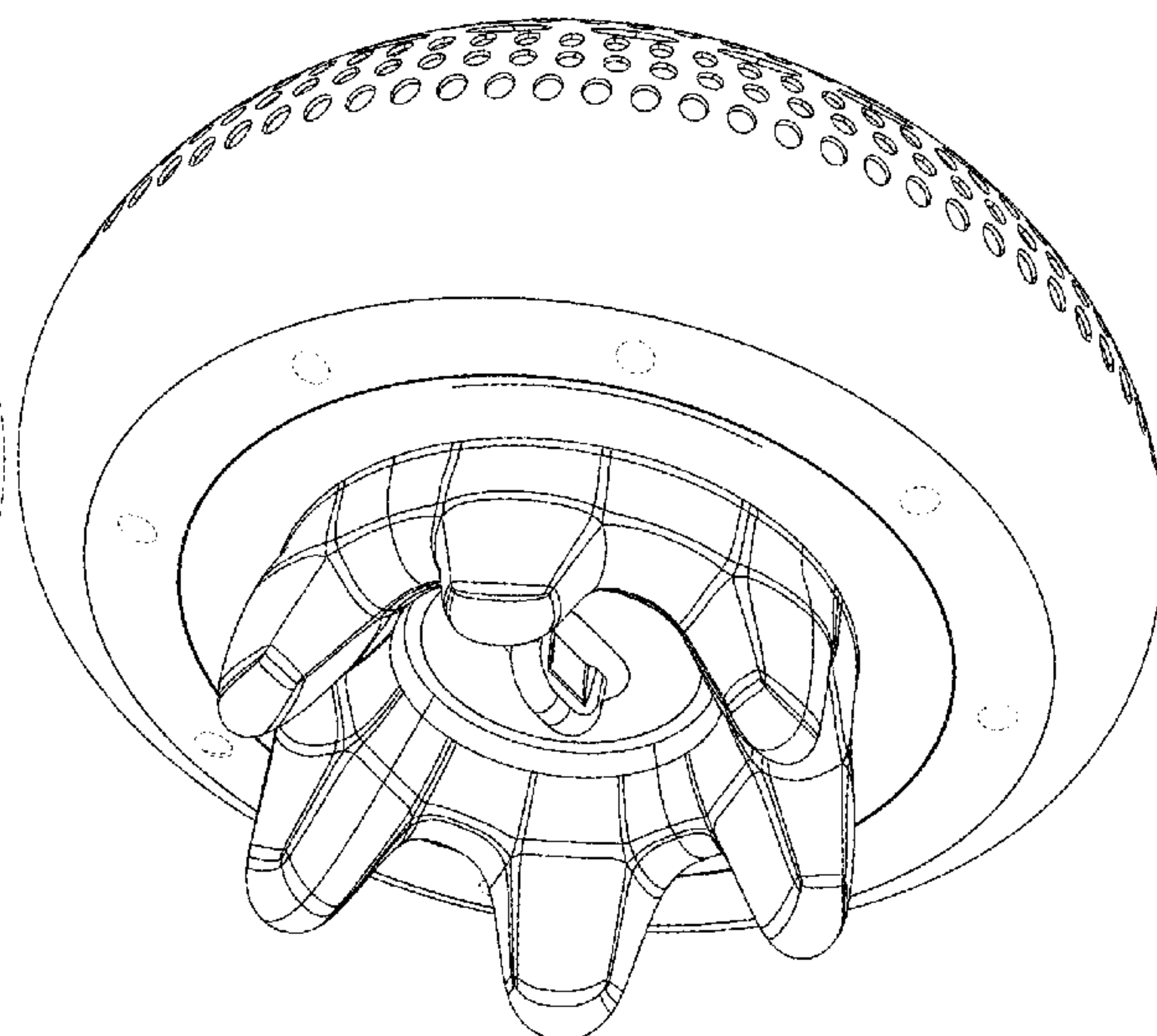
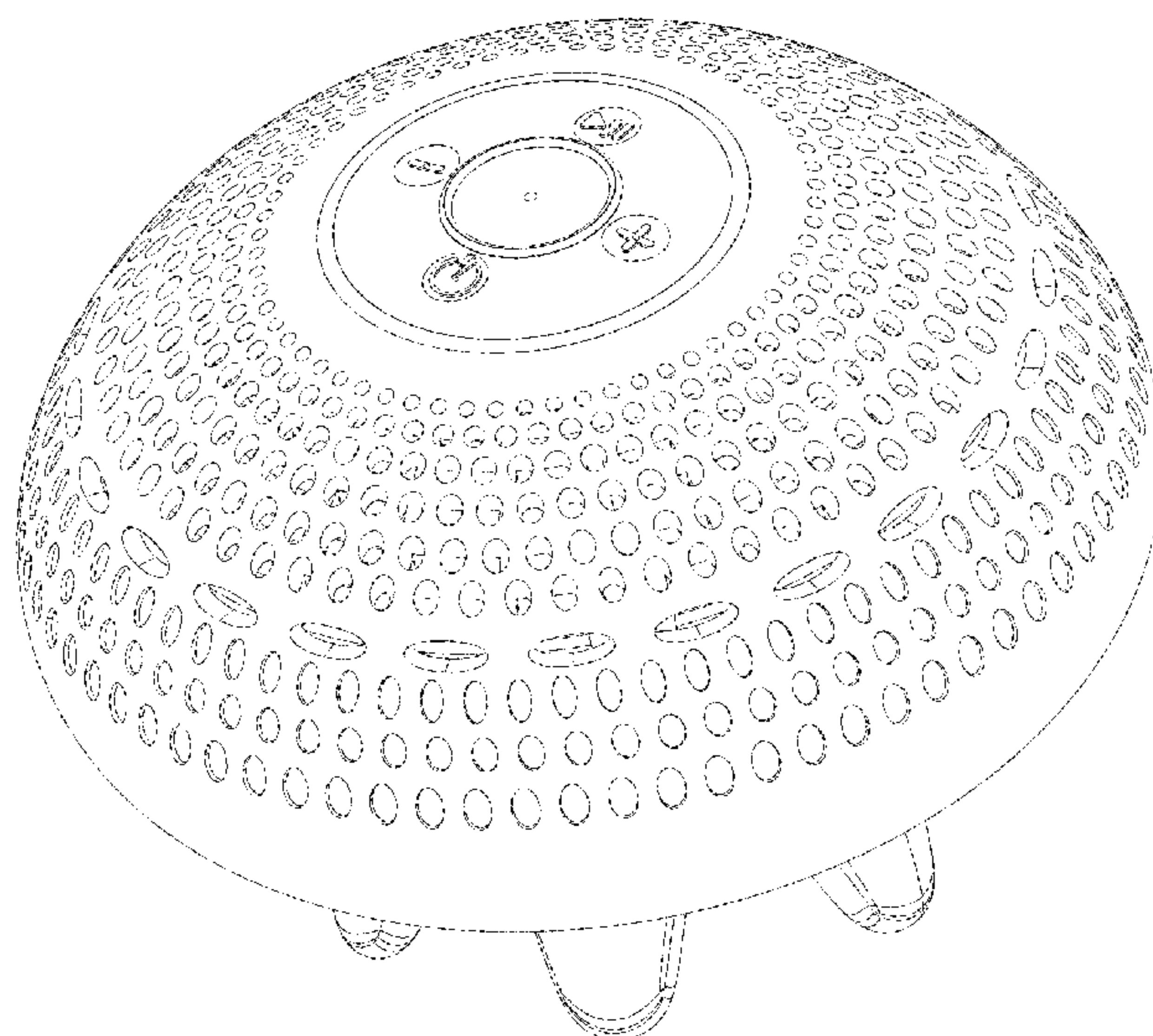
(57) **CLAIM**

The ornamental design for a Bluetooth speaker, as shown and described.

**DESCRIPTION**

FIG. 1 is a perspective view of a Bluetooth speaker showing my new design;  
FIG. 2 is a bottom perspective view thereof;  
FIG. 3 is a front elevational view thereof, the rear side being a mirror image;  
FIG. 4 is a left side elevational view thereof, the right side being a mirror image;  
FIG. 5 is a top plan view thereof; and,  
FIG. 6 is a bottom plan view thereof.  
The broken lines showing of FIGS. 2, 3, 4, and 6 are for the purpose of illustrating portion of the Bluetooth speaker that forms no part of the claimed design.

**1 Claim, 6 Drawing Sheets**



(56)

**References Cited**

U.S. PATENT DOCUMENTS

D877,712 S \* 3/2020 Durkan ..... D14/204  
D884,677 S \* 5/2020 Feng ..... D14/216  
D885,367 S \* 5/2020 Guo ..... D14/216  
2014/0064535 A1\* 3/2014 Zhao ..... H04R 1/021  
381/332

FOREIGN PATENT DOCUMENTS

KR 3020170031327 \* 1/2018  
KR 3020190059990 \* 9/2020

\* cited by examiner

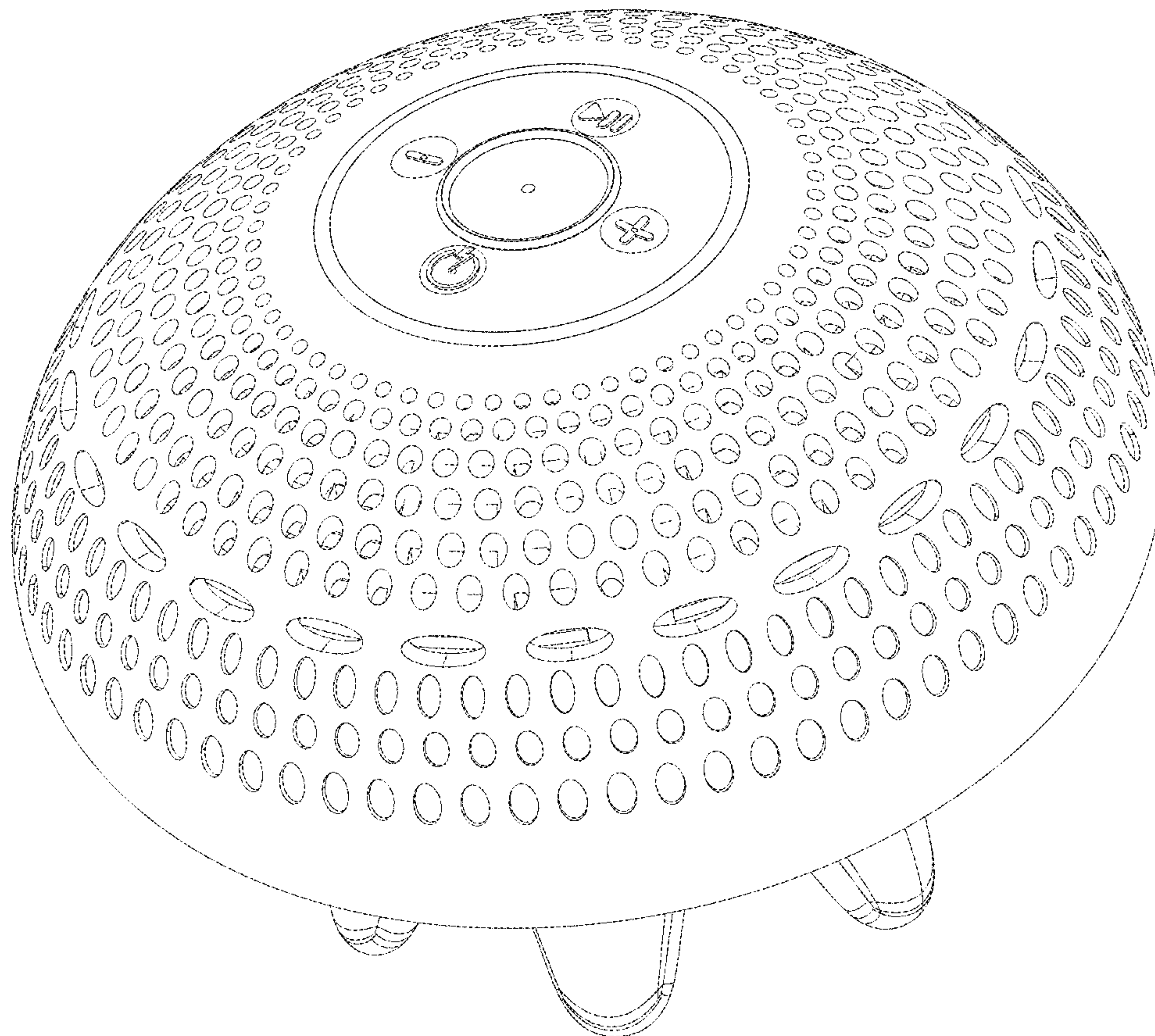


FIG. 1



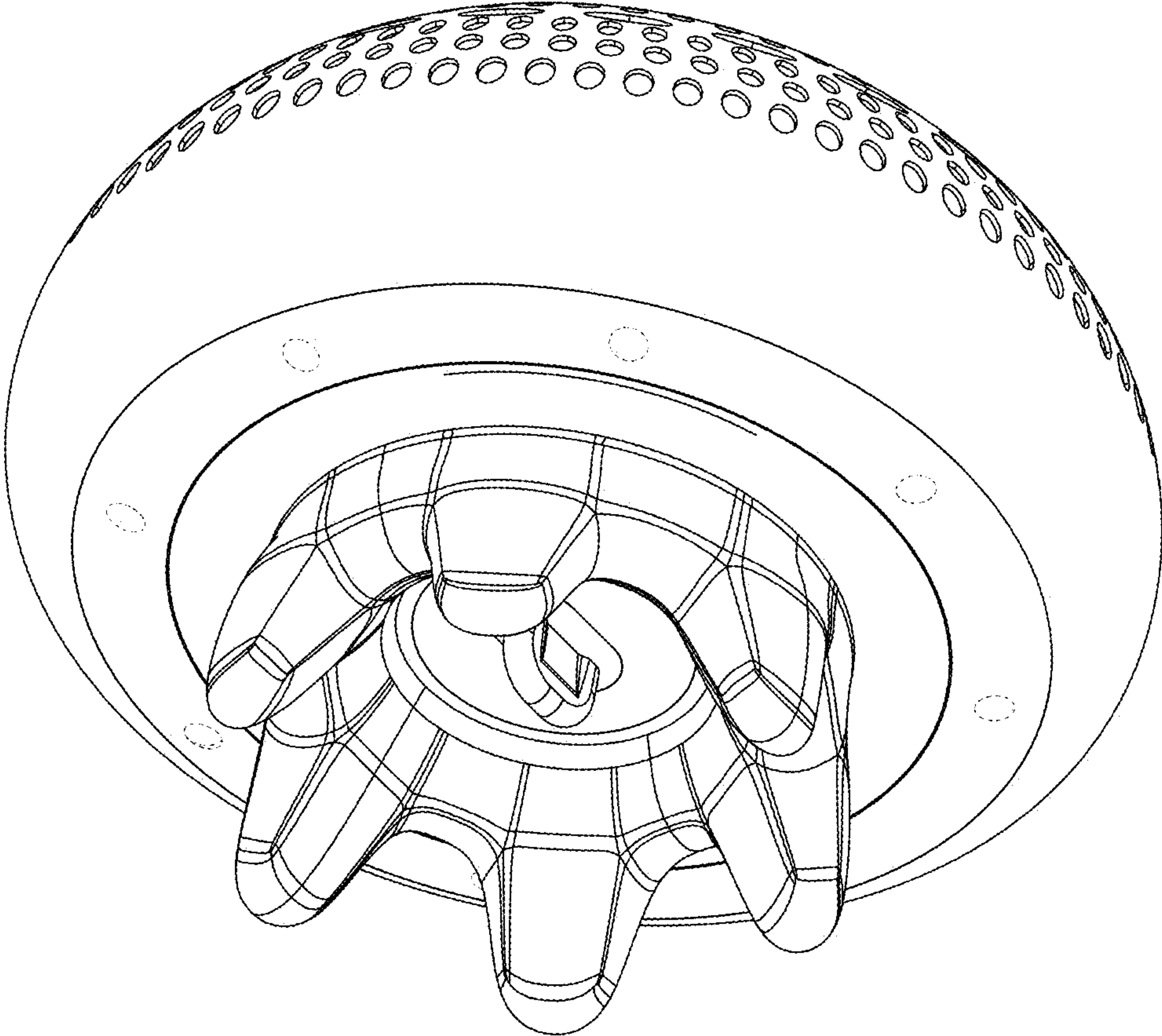


FIG. 2

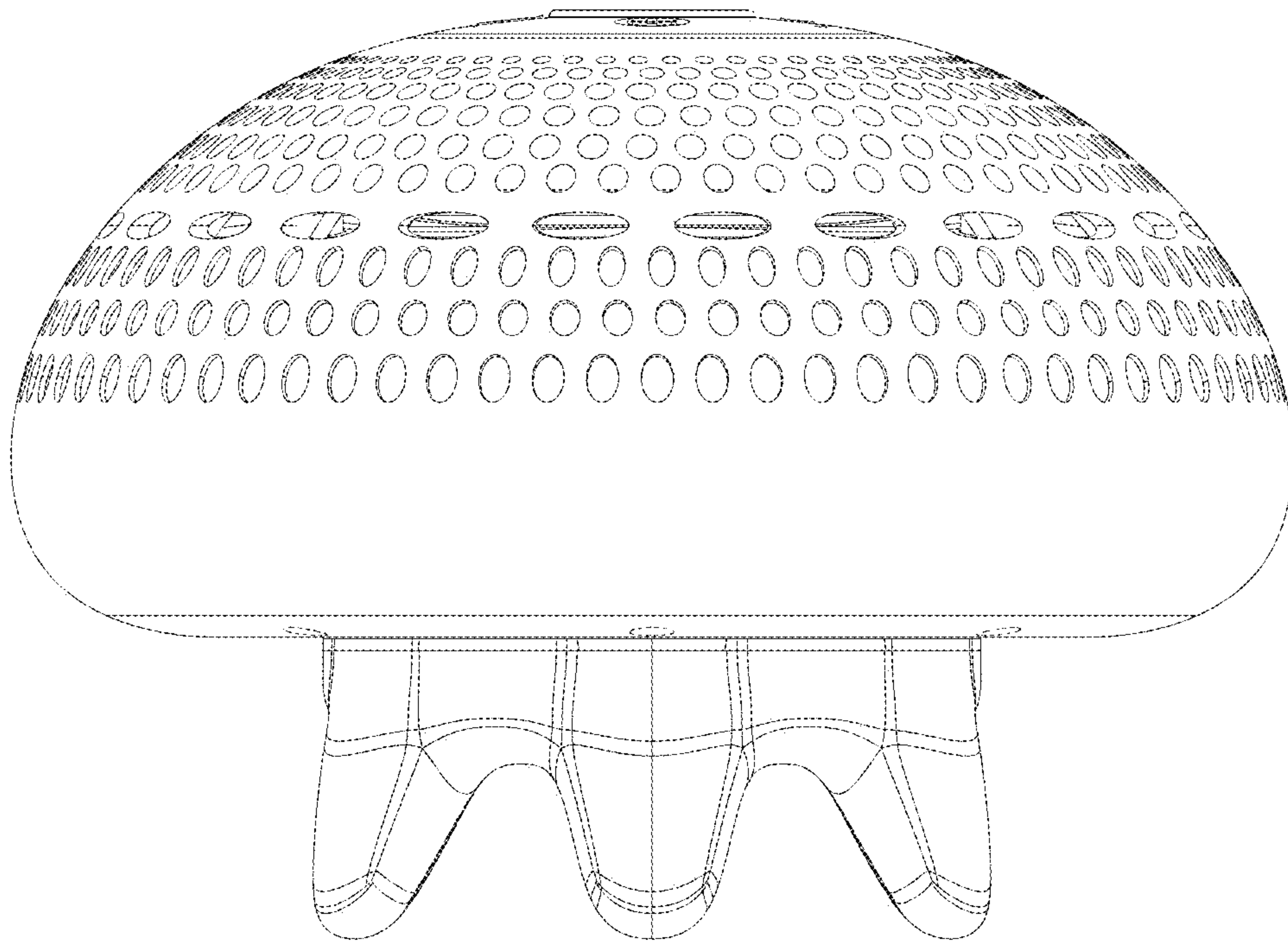


FIG. 3

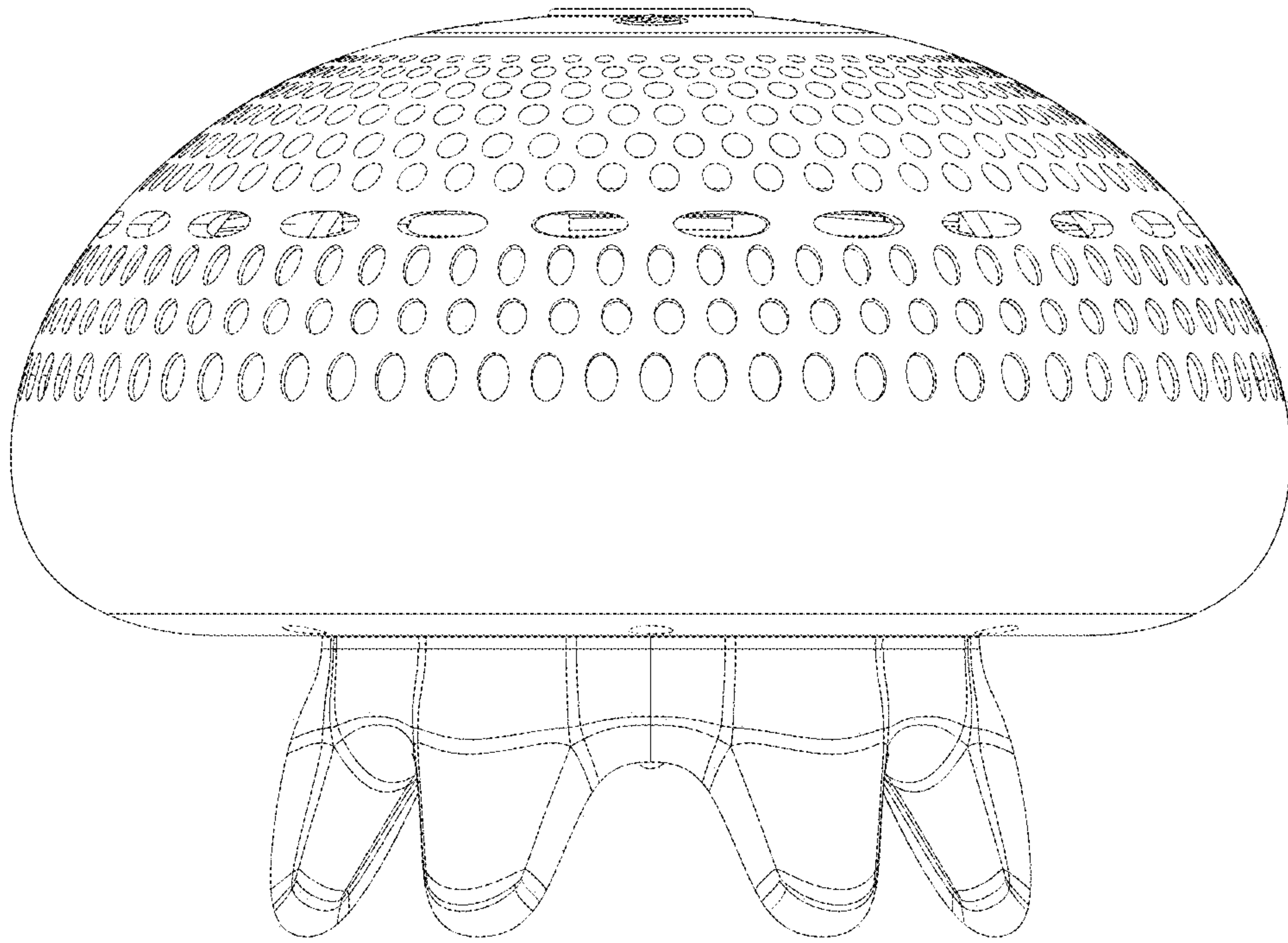


FIG. 4

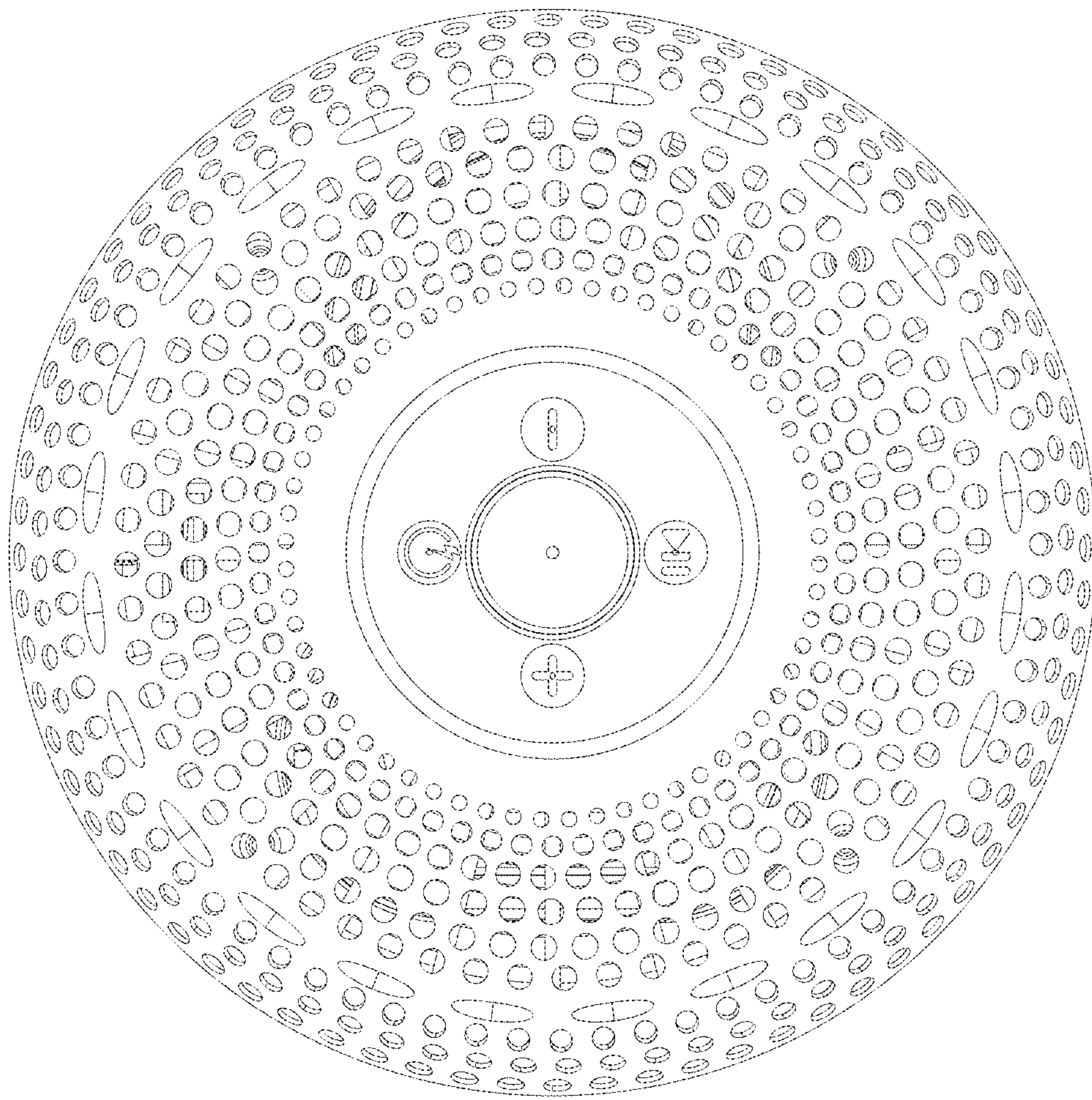


FIG. 5



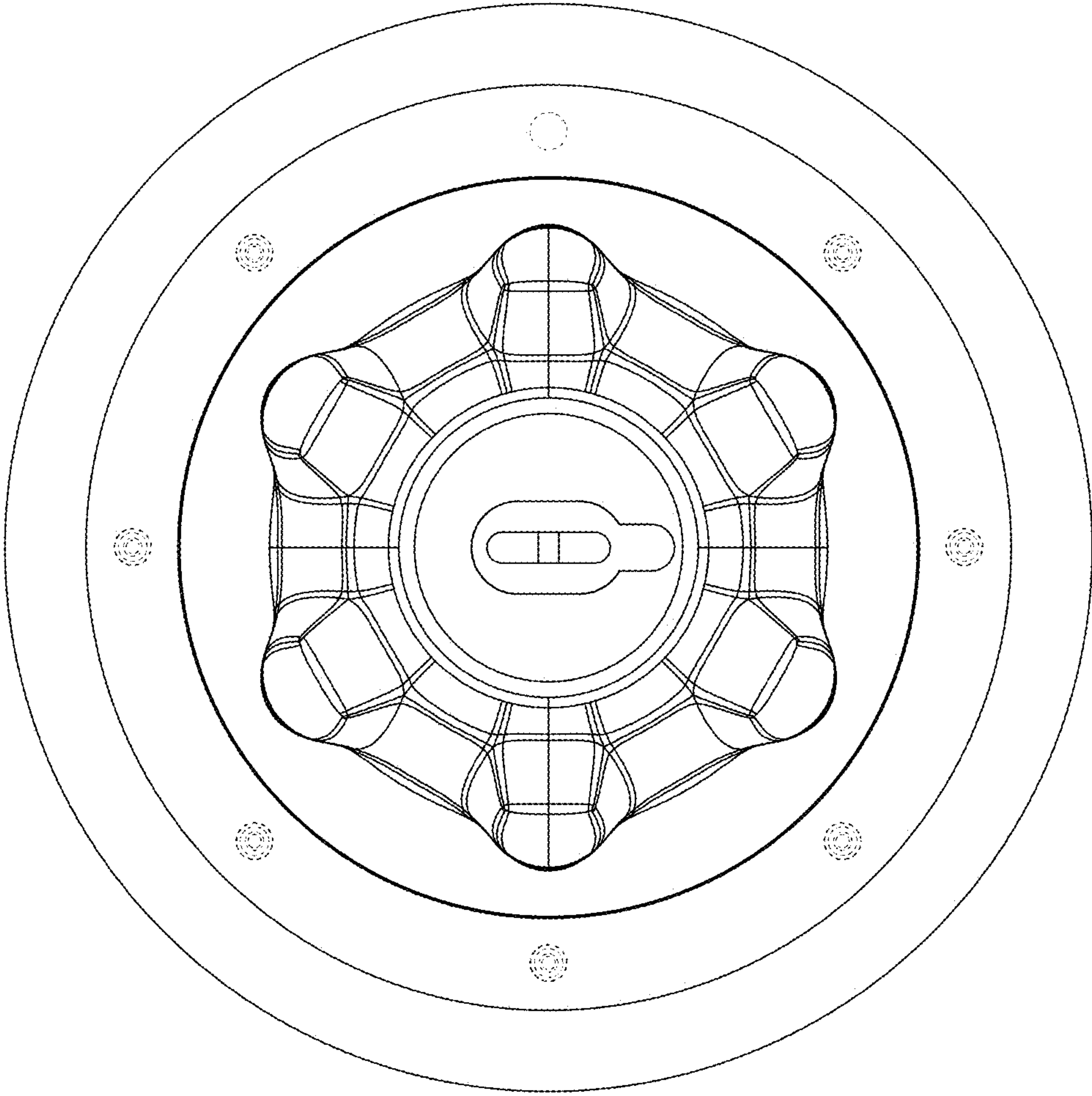


FIG. 6