



US00D938930S

(12) **United States Design Patent**  
**North et al.**

(10) **Patent No.:** **US D938,930 S**

(45) **Date of Patent:** **\*\* Dec. 21, 2021**

(54) **AUDIOVISUAL COMMUNICATION DEVICE**

(71) Applicant: **Elo Touch Solutions, Inc.**, Milpitas, CA (US)

(72) Inventors: **Kenneth John North**, San Carlos, CA (US); **Fareed Uddin**, San Jose, CA (US); **Brian David Perry**, Knoxville, TN (US); **Asela Ekanayake**, Santa Clara, CA (US)

(73) Assignee: **Elo Touch Solutions, Inc.**, Milpitas, CA (US)

(\*\*) Term: **15 Years**

(21) Appl. No.: **29/725,916**

(22) Filed: **Feb. 27, 2020**

(51) **LOC (13) Cl.** ..... **14-03**

(52) **U.S. Cl.**  
USPC ..... **D14/149; D14/240**

(58) **Field of Classification Search**  
USPC .... D14/240, 242, 357, 358, 140-140.9, 155, D14/125, 137, 139, 243, 348, 349, 351, D14/354, 355, 491, 496, 149  
CPC ..... H04L 12/00; H03K 17/00; H04W 88/00; H04W 88/005; H04W 88/02; H04W 88/08; H04W 88/085; H04W 88/10; H04W 88/12; H04W 88/14; H04B 1/38  
See application file for complete search history.

(56) **References Cited**

**U.S. PATENT DOCUMENTS**

D575,261 S \* 8/2008 Freed ..... D14/130  
D723,480 S 3/2015 Lee et al.  
D743,359 S \* 11/2015 Tatem ..... D14/125  
D746,795 S \* 1/2016 Burlingame ..... D14/221  
D753,639 S \* 4/2016 Marzynski ..... D14/240  
D754,110 S \* 4/2016 Jung ..... D14/240  
D763,818 S \* 8/2016 Yang ..... D14/204

D768,589 S 10/2016 Shin  
D782,429 S \* 3/2017 Xianda ..... D14/125  
D826,935 S \* 8/2018 Son ..... D14/358  
D826,938 S \* 8/2018 Son ..... D14/388  
D849,006 S \* 5/2019 Pang ..... D14/433  
D855,028 S 7/2019 Green et al.  
D874,423 S \* 2/2020 Wu ..... D14/168  
D877,127 S \* 3/2020 Bentley ..... D14/240  
D879,076 S \* 3/2020 Sahlin ..... D14/225  
D886,765 S \* 6/2020 Wilberding ..... D14/204  
D889,461 S \* 7/2020 Seo ..... D14/358  
D901,441 S \* 11/2020 Huang ..... D14/214

(Continued)

**OTHER PUBLICATIONS**

Amazon.com, "Sonos One (Gen 2)—Voice Controlled Smart Speaker with Amazon Alexa Built in—Black," (<https://www.amazon.com/Sonos-One-Gen-Controlled-Built/dp/B07NJPXRBC>), listed Feb. 8, 2019, accessed Feb. 27, 2020, 10 pages.

*Primary Examiner* — Bridget L Eland  
(74) *Attorney, Agent, or Firm* — Sterne, Kessler, Goldstein & Fox P.L.L.C.

(57) **CLAIM**

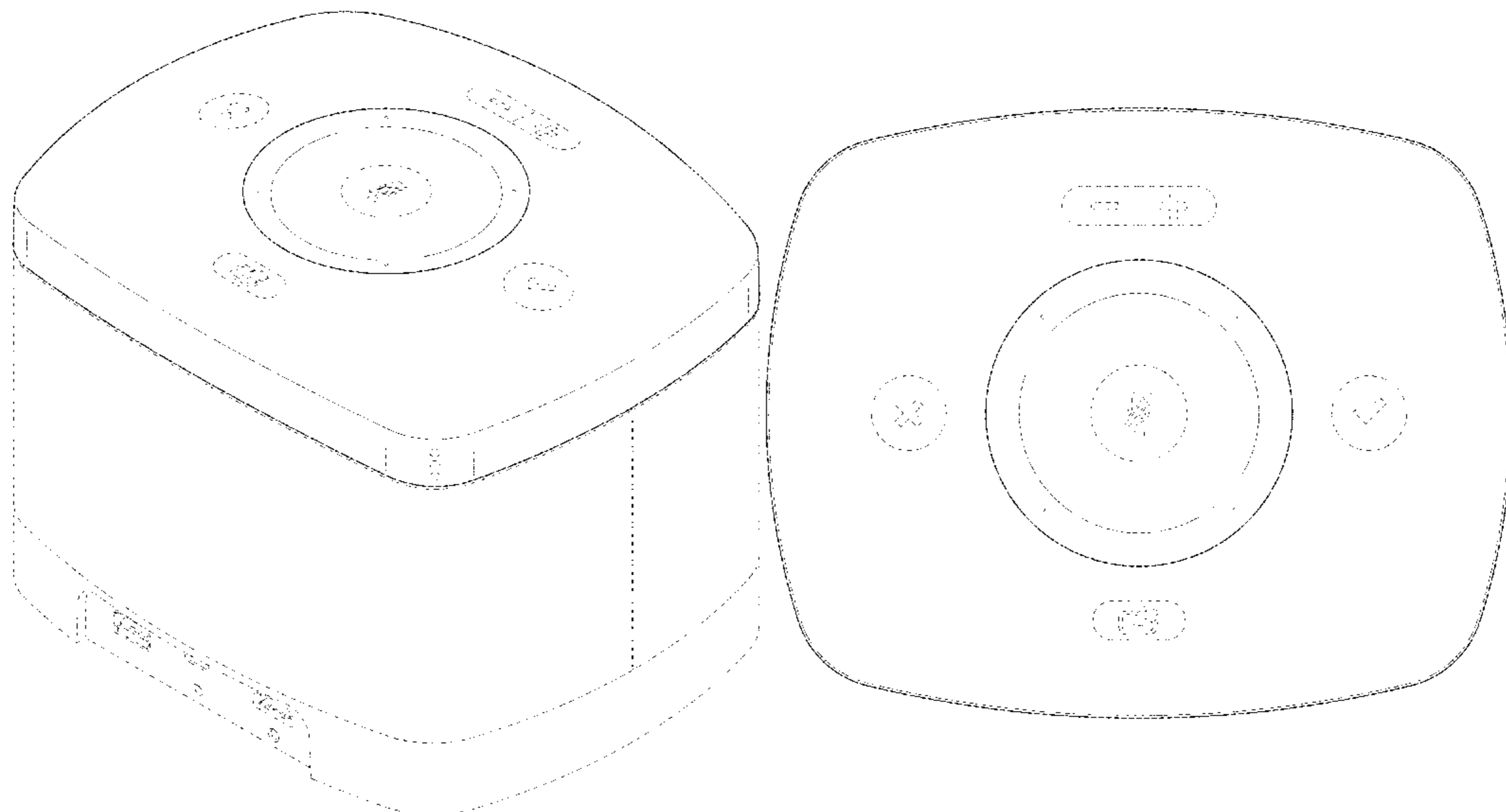
The ornamental design for an audiovisual communication device, as shown and described.

**DESCRIPTION**

FIG. 1 is a top front perspective view of an audiovisual communication device showing the claimed design; FIG. 2 is a front view thereof; FIG. 3 is a rear view thereof; FIG. 4 is a left side view thereof; FIG. 5 is a right side view thereof; FIG. 6 is a top view thereof; and, FIG. 7 is a bottom view thereof.

The broken lines in the figures show portions of the audiovisual communication device that form no part of the claimed design.

**1 Claim, 7 Drawing Sheets**



(56)

**References Cited**

U.S. PATENT DOCUMENTS

D906,279 S \* 12/2020 Nam ..... D14/204  
D920,278 S \* 5/2021 Wilberding ..... D14/204

\* cited by examiner

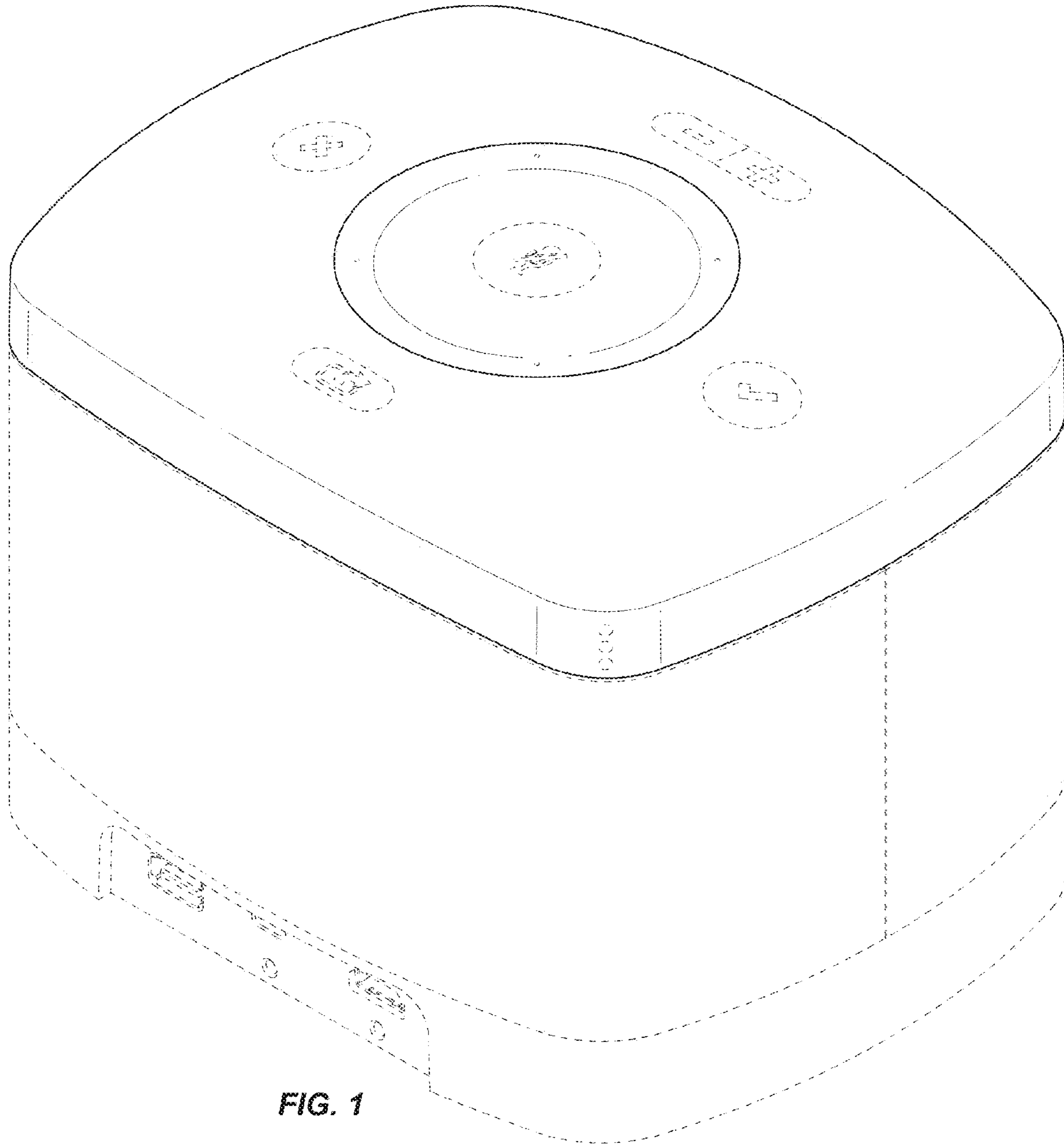


FIG. 1

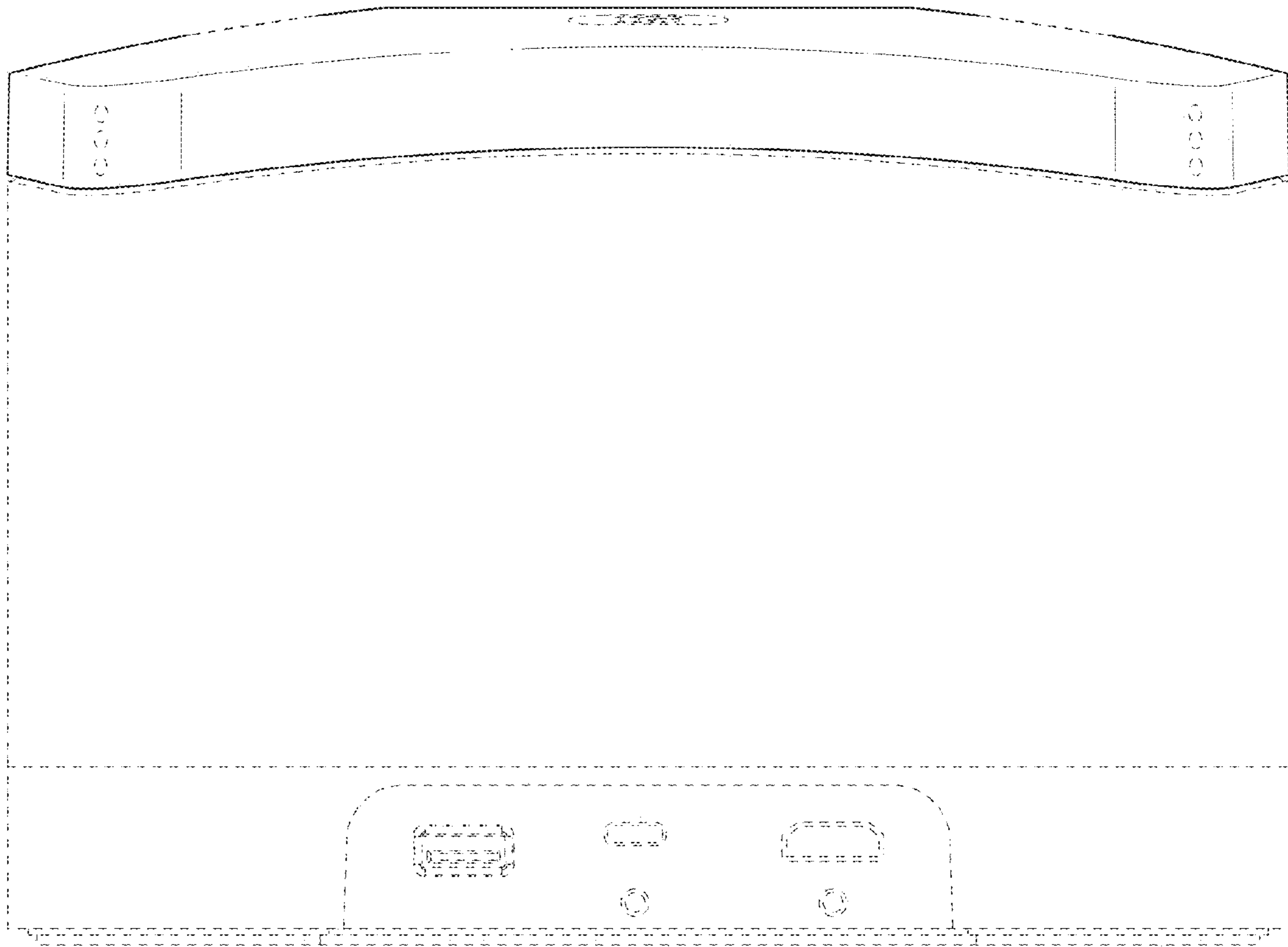


FIG. 2

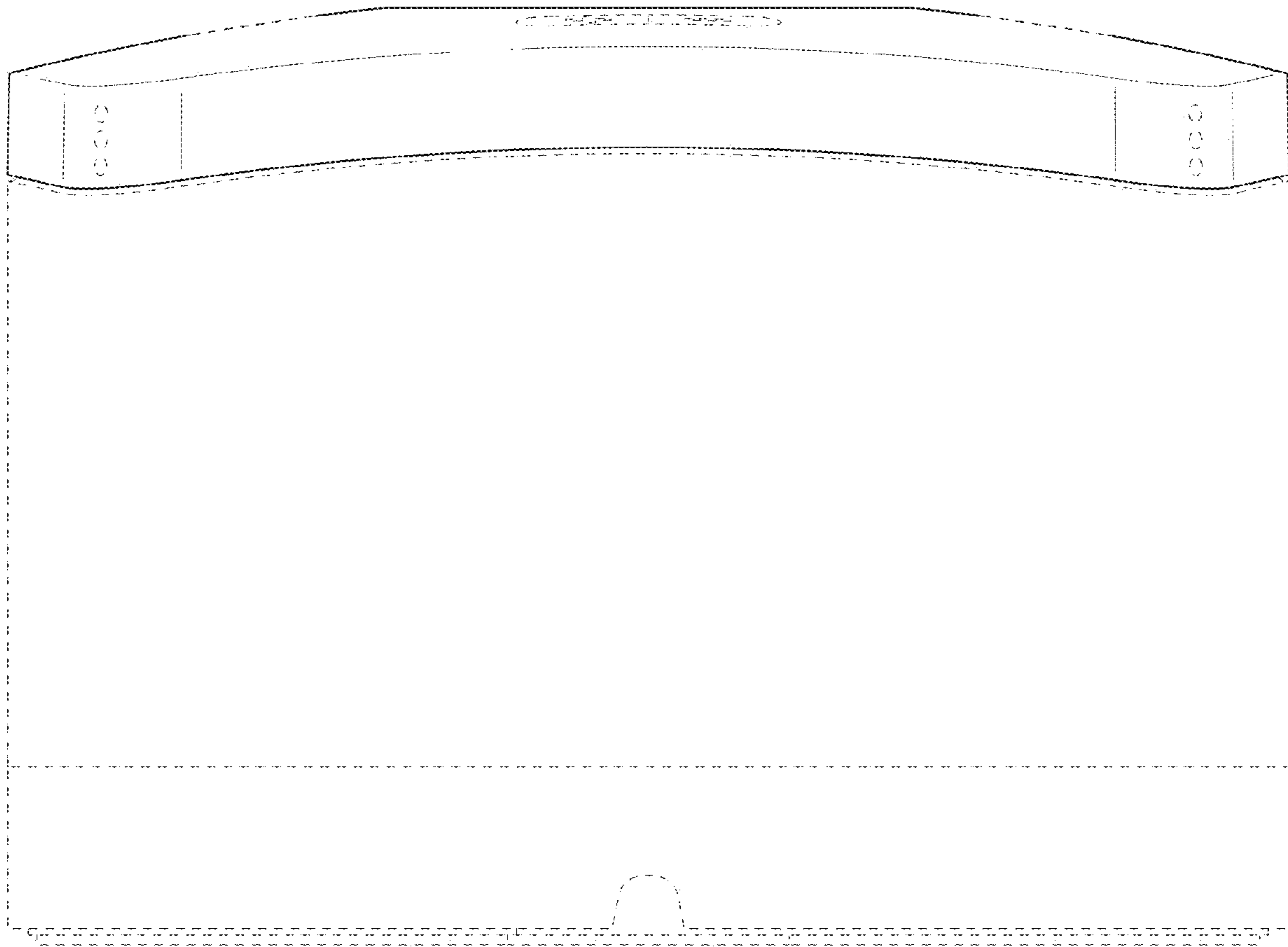


FIG. 3

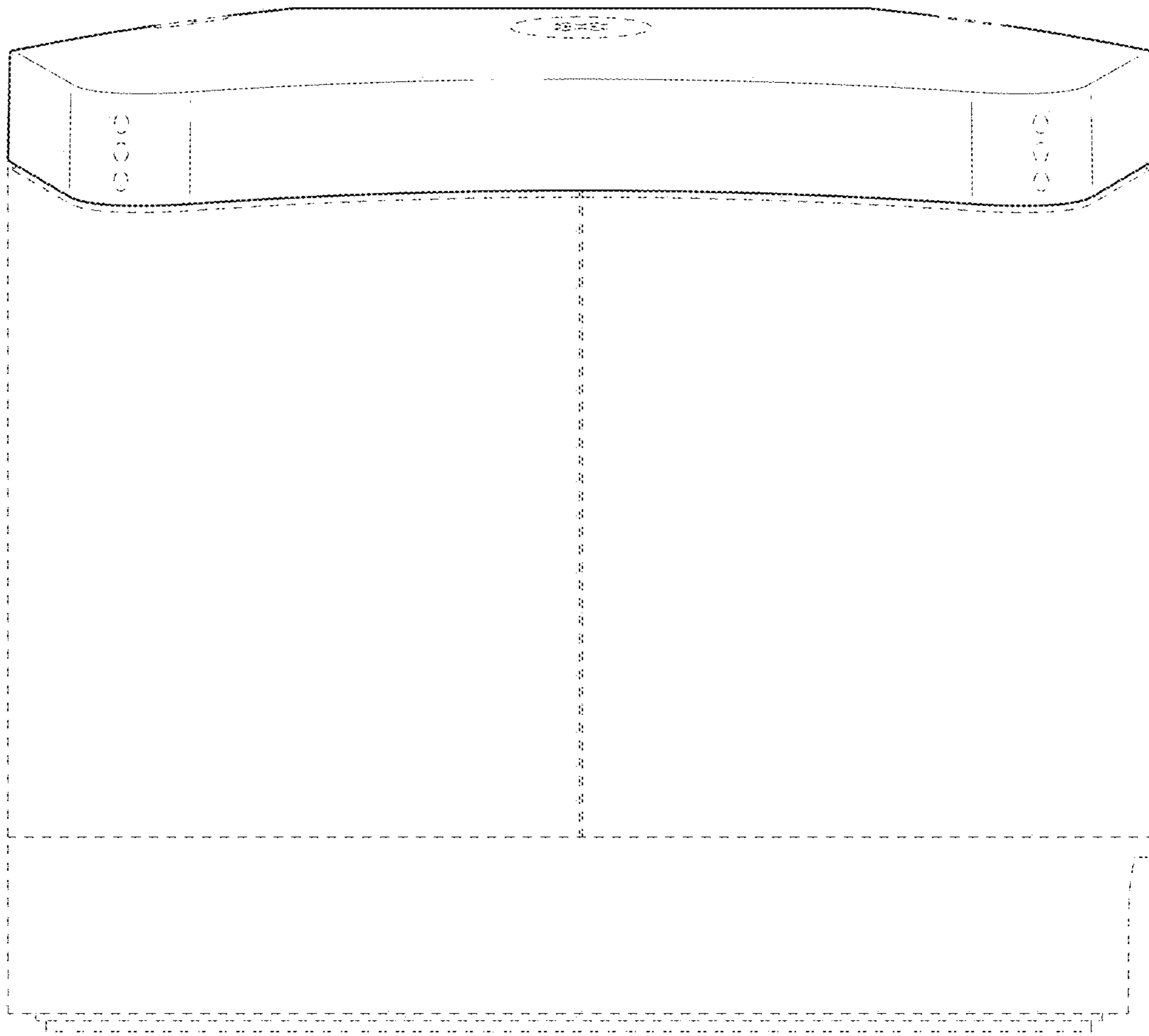


FIG. 4

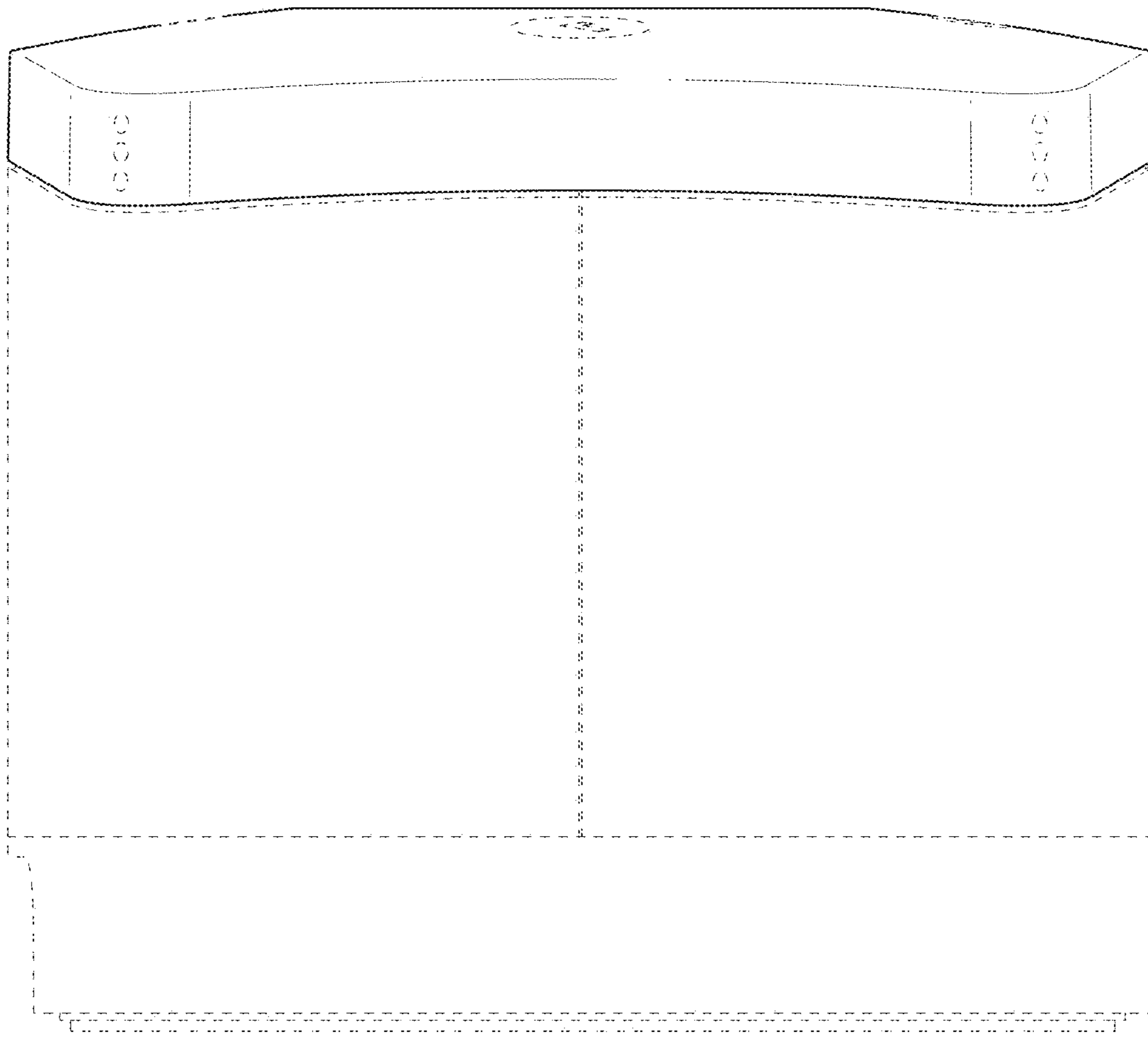


FIG. 5

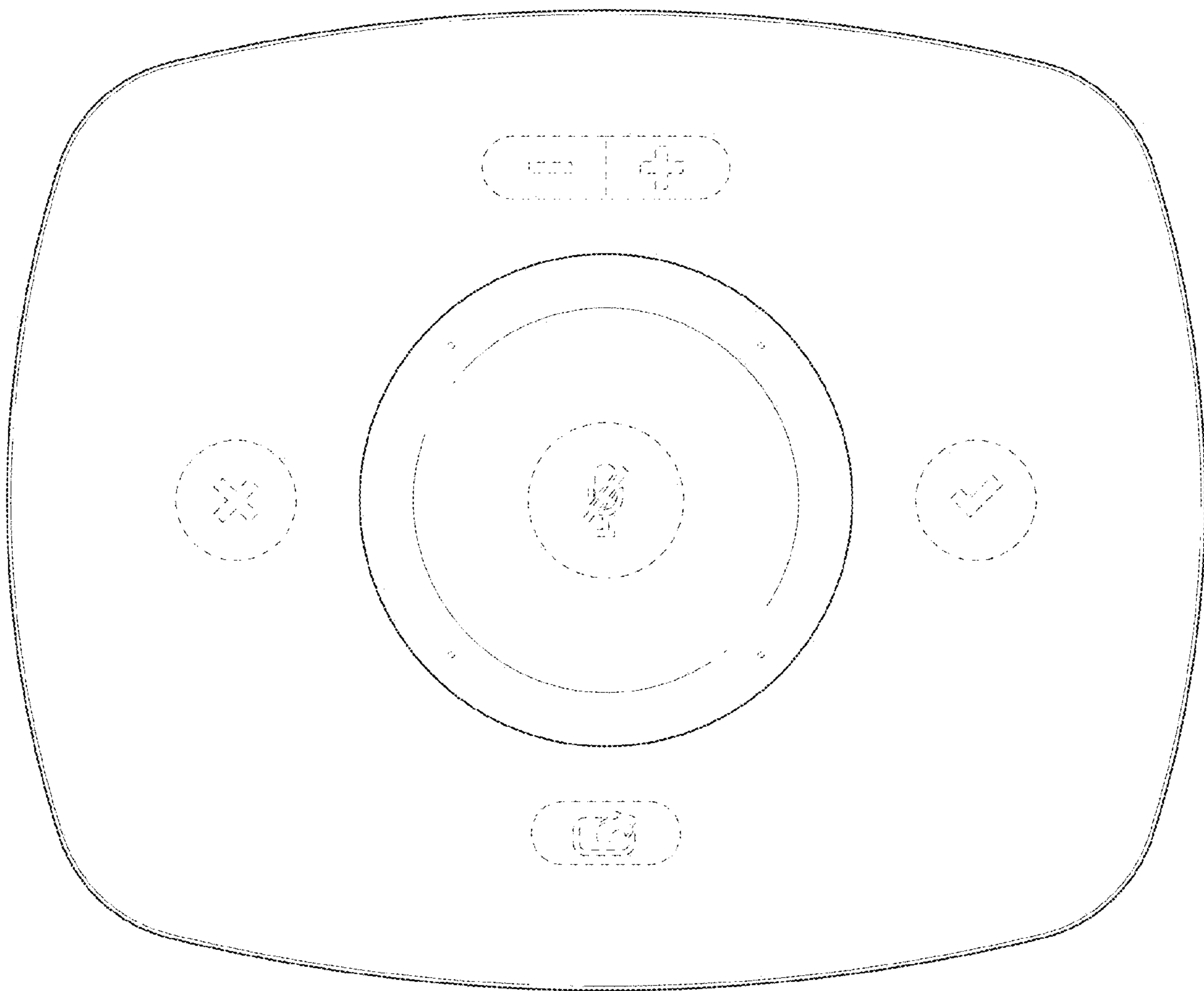
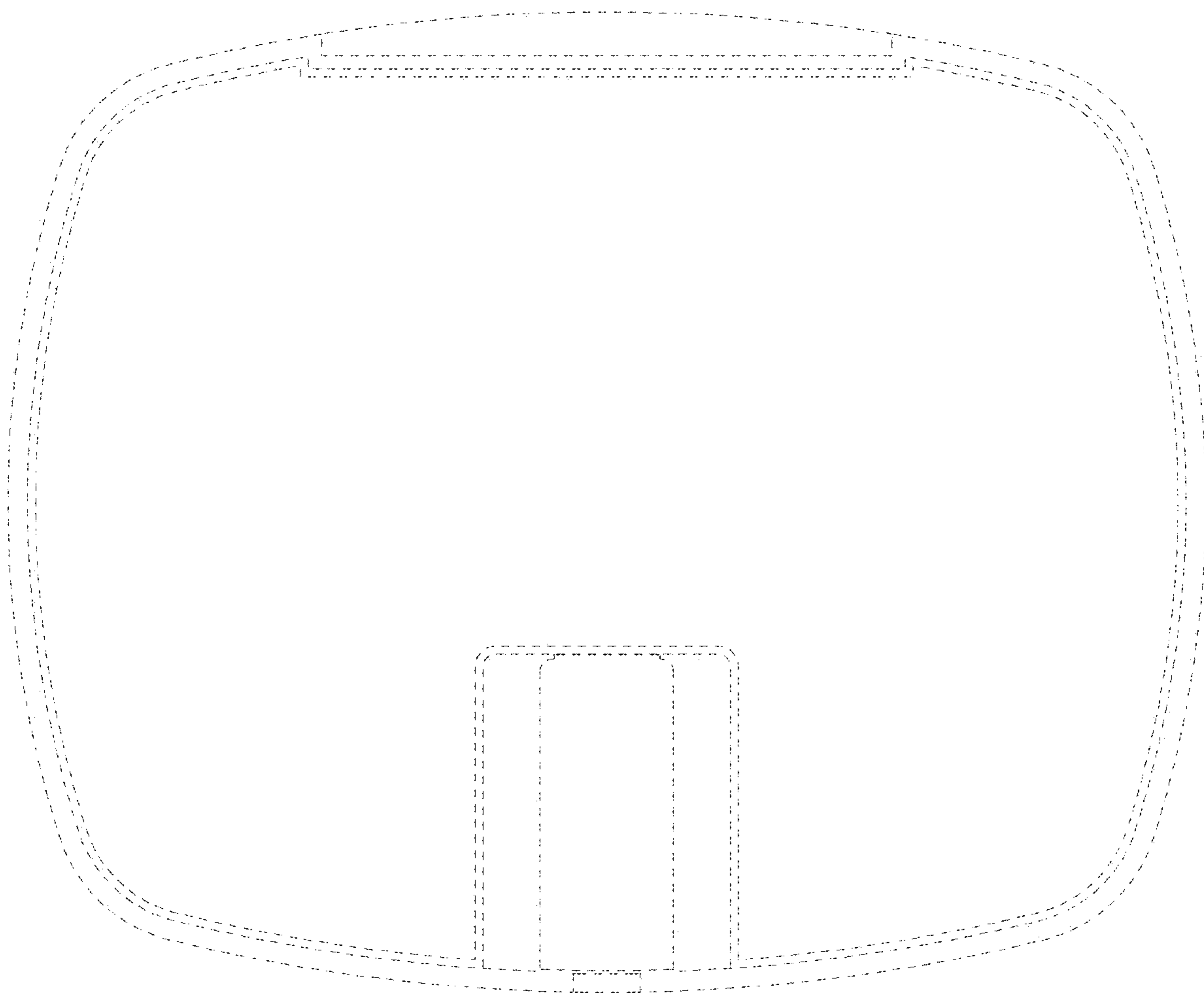


FIG. 6





**FIG. 7**