



US00D938929S

(12) **United States Design Patent** (10) **Patent No.:** **US D938,929 S**
Pereira et al. (45) **Date of Patent:** **** Dec. 21, 2021**

(54) **COMMUNICATION DEVICE**
(71) Applicant: **Motorola Mobility LLC**, Chicago, IL (US)
(72) Inventors: **Poliana Feliconio Pereira**, San Paulo (BR); **Mark Finney**, Chicago, IL (US); **Joel Soto**, Maywood, IL (US)
(73) Assignee: **Motorola Mobility LLC**, Chicago, IL (US)
(**) Term: **15 Years**
(21) Appl. No.: **29/647,086**
(22) Filed: **May 9, 2018**
(51) **LOC (13) Cl.** **14-03**
(52) **U.S. Cl.**
USPC **D14/138 AB**
(58) **Field of Classification Search**
USPC D14/315-318, 341-347, 420, 426, 240, D14/129-130, 496, 137, 138 R, 138 AA, D14/138 AB, 138 AC, 138 AD, 138 C, D14/138 G, 147, 203.1-203.8, 218, 247, D14/371, 248, 388-389, 374, 429, 453; D10/104.1, 50, 65; D21/324, 329, 330, D21/332
CPC H04M 1/0214; H04M 1/0218; H04M 1/0216; H04M 1/0227; H04M 1/0247; H04W 88/02
See application file for complete search history.

D594,433 S * 6/2009 Seo D14/138 AD
D603,364 S * 11/2009 Song D14/138 AB
D615,059 S * 5/2010 Price D14/138 G
D627,326 S * 11/2010 Ardinghi D14/138 AB
D630,178 S * 1/2011 Lee D14/138 AB
(Continued)

FOREIGN PATENT DOCUMENTS

EM 005908605-0001 * 12/2018
EM 005908605-0002 * 12/2018

OTHER PUBLICATIONS

Motorola Razr 5G., announced Apr. 10, 2021 [online], [retrieved Apr. 29, 2021], Available from Internet, URL: <https://www.androidauthority.com/motorola-razr-2-1121101/> (Year: 2021).*
(Continued)

Primary Examiner — Dana K Weiland
(74) *Attorney, Agent, or Firm* — Kunzler Bean & Adamson

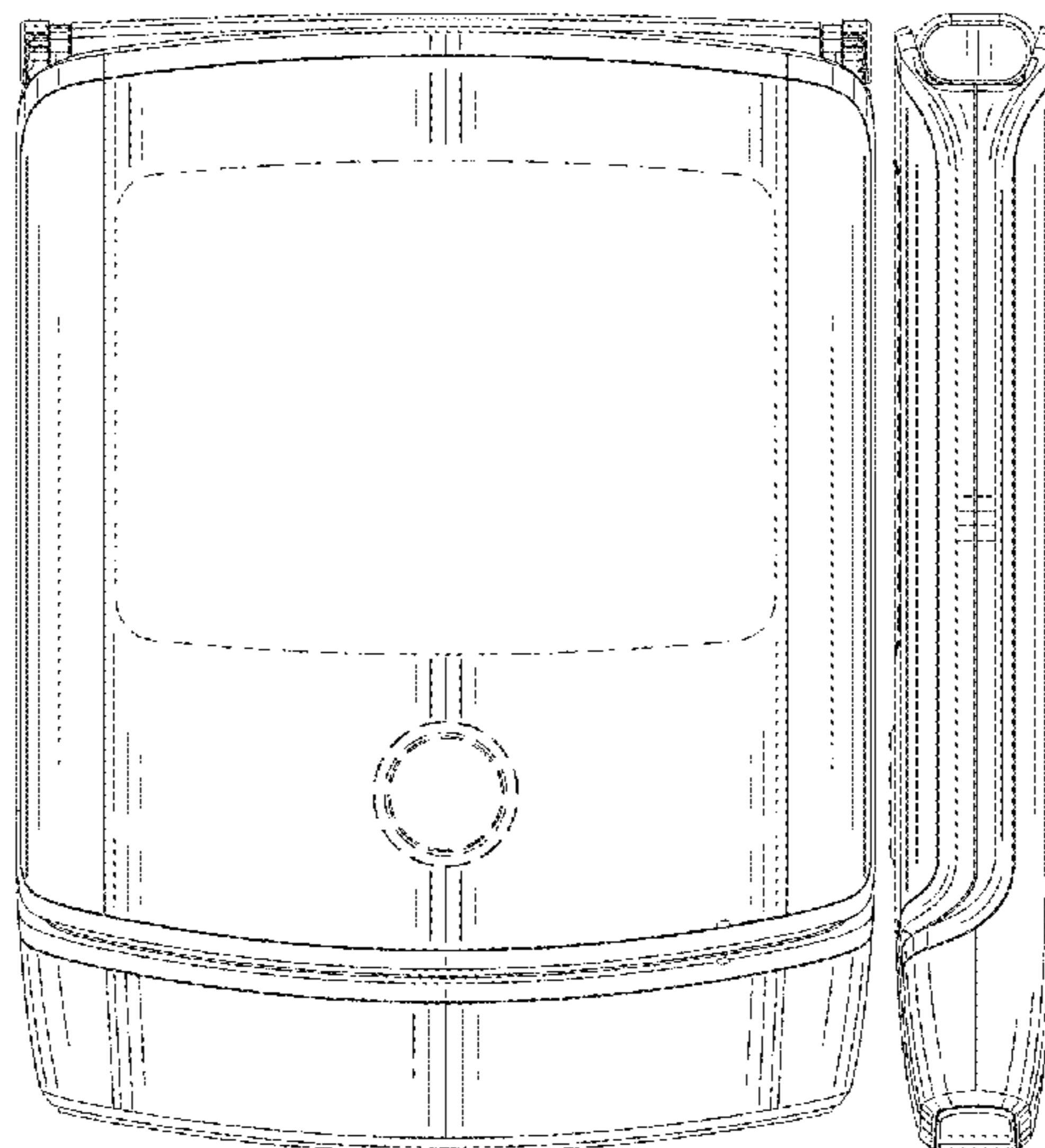
(57) **CLAIM**
The ornamental design for a communication device, as shown and described.

DESCRIPTION

FIG. 1 is a front perspective view of a communication device showing the new design;
FIG. 2 is a rear perspective view thereof;
FIG. 3 is a front view thereof;
FIG. 4 is a rear view thereof;
FIG. 5 is a first side view thereof;
FIG. 6 is a second side view thereof;
FIG. 7 is a top view thereof; and,
FIG. 8 is a bottom view thereof.
The broken lines shown in FIGS. 1-8 that are immediately adjacent to the shaded areas, and define unshaded regions, show portions of the communication device that form no part of the claimed design.

1 Claim, 6 Drawing Sheets

(56) **References Cited**
U.S. PATENT DOCUMENTS
D500,750 S * 1/2005 Arnholt D14/138 AB
D552,580 S * 10/2007 Mun D14/138 AD
D561,147 S * 2/2008 Finney D14/138 AD
D567,796 S * 4/2008 Jeong D14/138 AB
D572,227 S * 7/2008 Yoon D14/138 G
D581,388 S * 11/2008 Stillerman D14/138 AB
D592,167 S * 5/2009 Park D14/138 AD



(56)

References Cited

U.S. PATENT DOCUMENTS

D630,180 S * 1/2011 Kim D14/138 AB
 D631,030 S * 1/2011 Park D14/138 G
 D636,754 S * 4/2011 Veiga D14/138 AB
 D641,001 S * 7/2011 Finney D14/138 G
 D643,397 S * 8/2011 Ardinghi D14/138 AB
 D646,247 S * 10/2011 Lee D14/138 AB
 D648,309 S * 11/2011 Choi D14/138 AB
 D648,694 S * 11/2011 Wun D14/138 AB
 8,060,157 B2 * 11/2011 Bell H04M 1/0216
 455/575.1
 D665,371 S * 8/2012 Finney D14/138 G
 D665,762 S * 8/2012 Fujimura D14/138 G
 D666,985 S * 9/2012 Kim D14/138 G
 D669,876 S * 10/2012 Luo D14/138 AB
 D673,925 S * 1/2013 Kim D14/138 G
 D696,665 S * 12/2013 Nakano D14/345
 D707,196 S * 6/2014 Meneses D14/138 AB
 D749,575 S * 2/2016 Park D14/345
 D776,632 S * 1/2017 Kwak D14/138 AB
 D782,436 S * 3/2017 Kwak D14/138 AB
 D788,773 S * 6/2017 Seo D14/345
 D801,944 S * 11/2017 Kim D14/138 AB
 D810,730 S * 2/2018 Cheng D14/315
 D818,981 S * 5/2018 Song D14/138 AB
 D827,604 S * 9/2018 Seo D14/138 AB
 D828,318 S * 9/2018 Seo D14/138 AB
 D828,319 S * 9/2018 Seo D14/138 AB
 D841,612 S * 2/2019 Kwon D14/138 AB
 10,491,725 B1 * 11/2019 Harmon H04M 1/022
 D875,704 S * 2/2020 Lee D14/138 AB
 D883,943 S * 5/2020 Oh D14/138 AB
 D891,426 S * 7/2020 Nguyen D14/345
 D901,495 S * 11/2020 Lee D14/345
 D902,167 S * 11/2020 Lee D14/138 AB
 D902,168 S * 11/2020 Yuan D14/138 AB
 D902,878 S * 11/2020 Kim D14/138 AB
 D903,621 S * 12/2020 Kim D14/138 AB
 D910,619 S * 2/2021 Lim D14/345
 D910,620 S * 2/2021 Lee D14/345

2007/0281759 A1* 12/2007 Choi H04M 1/72436
 455/575.1
 2009/0303199 A1* 12/2009 Cho G06F 3/04845
 345/173
 2011/0195752 A1* 8/2011 Siddiqui G06F 1/1622
 455/566
 2017/0141820 A1* 5/2017 Kim H01Q 1/42
 2018/0049529 A1* 2/2018 Buechin A45C 13/1069

OTHER PUBLICATIONS

Check out this awesome Moto RAZR 2019 concept, announced Feb. 1, 2019 [online], [retrieved Apr. 29, 2021], Available from Internet, URL: <https://www.gsmarena.com/check_out_this_awesome_moto_razr_2019_concept-news-35338.php> (Year: 2019).*

Motorola Razr 2019, announced 2020 [online], [retrieved Apr. 29, 2021], Available from Internet, URL: <https://www.gsmarena.com/motorola_razr_2019-pictures-9630.php> (Year: 2020).*

Samsung Galaxy Z Flip, released 2020 [online], [retrieved Apr. 29, 2021], Available from Internet, URL: <https://www.gsmarena.com/samsung_galaxy_z_flip-pictures-10054.php> (Year: 2020).*

Samsung Galaxy Z Fold, announced 2020 [online], [retrieved Apr. 29, 2021], Available from Internet, URL: <<https://www.techradar.com/news/samsung-galaxy-z-fold-2-vs-original-galaxy-fold-we-compare-the-foldable-phones>> (Year: 2020).*

LG KE970 Shine, announced 2007 [online], [retrieved Jul. 23, 2021], Available from Internet, URL: <https://www.gsmarena.com/lg_ke970_shine-pictures-1829.php> (Year: 2007).*

Samsung i8910 Omnia HD, announced Jan. 21, 2010 [online], [retrieved Jul. 23, 2021], Available from Internet, URL: <<https://www.mobilementalism.com/2010/01/21/samsung-i8910-omnia-hd-review-the-smartest-feature-phone-around/>> (Year: 2010).*

Youtube, “Motorola RAZR V4 Introduction, the Foldable Smartphone is here,The Legend Reborn!!”, https://www.youtube.com/watch?v=EaS_pxjcuNA, known about as early as Mar. 30, 2018, p. 1.

Arun KS, “Motorola RAZR V4 Introduction, the Foldable Smartphone is here,The Legend Reborn”, Techconfigurations, Mar. 2018, pp. 1-7.

* cited by examiner

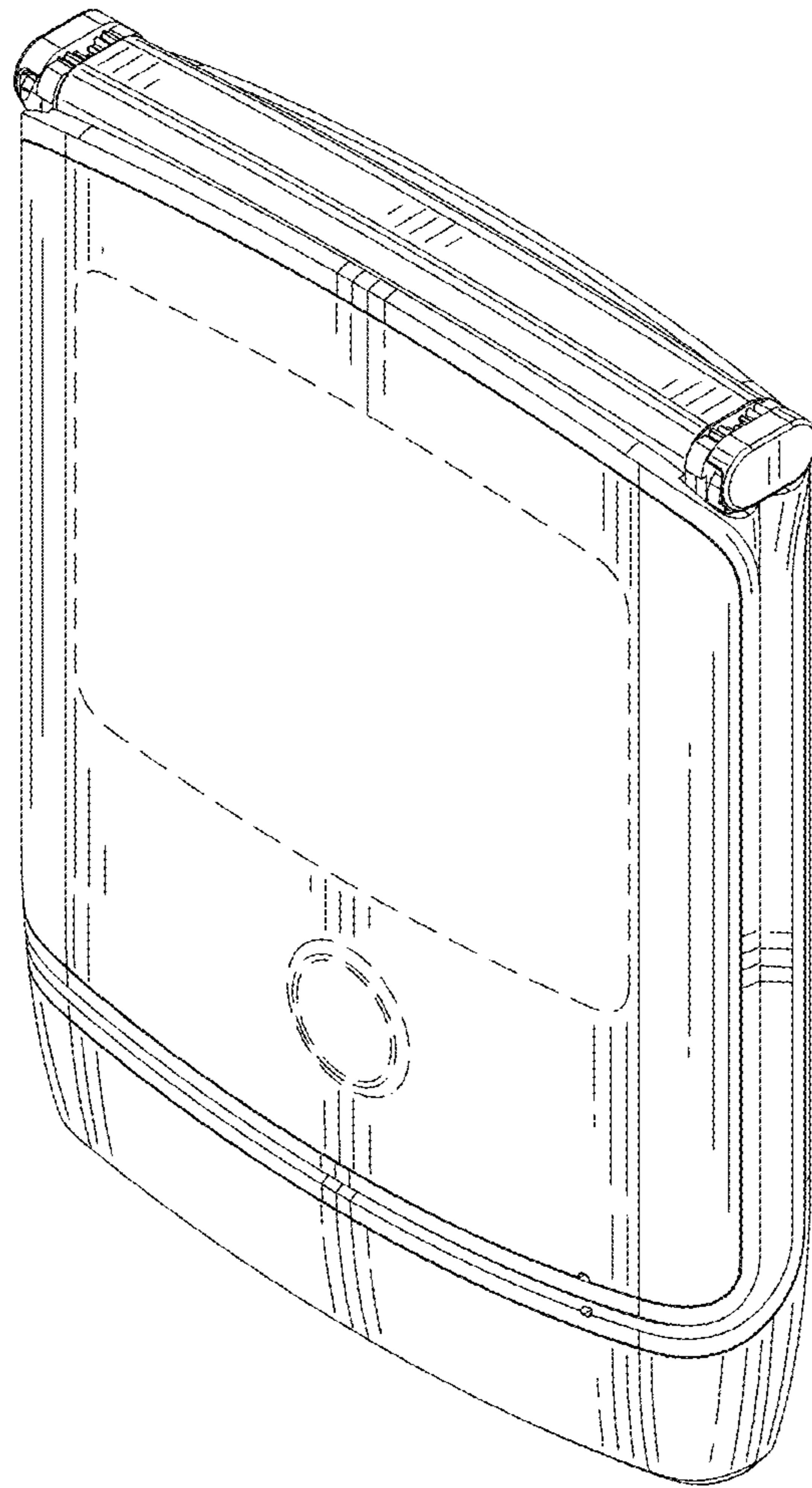


FIG. 1

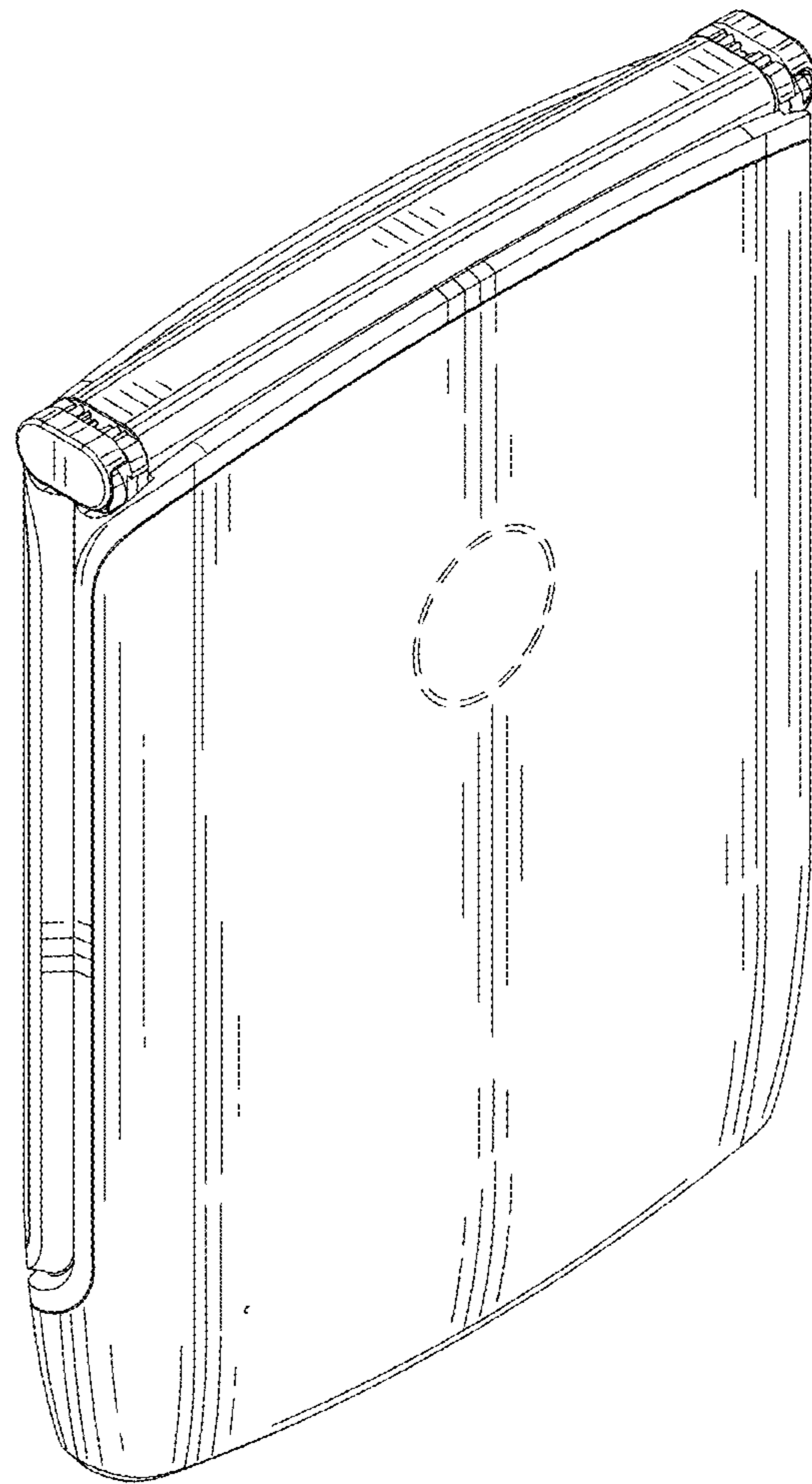


FIG. 2

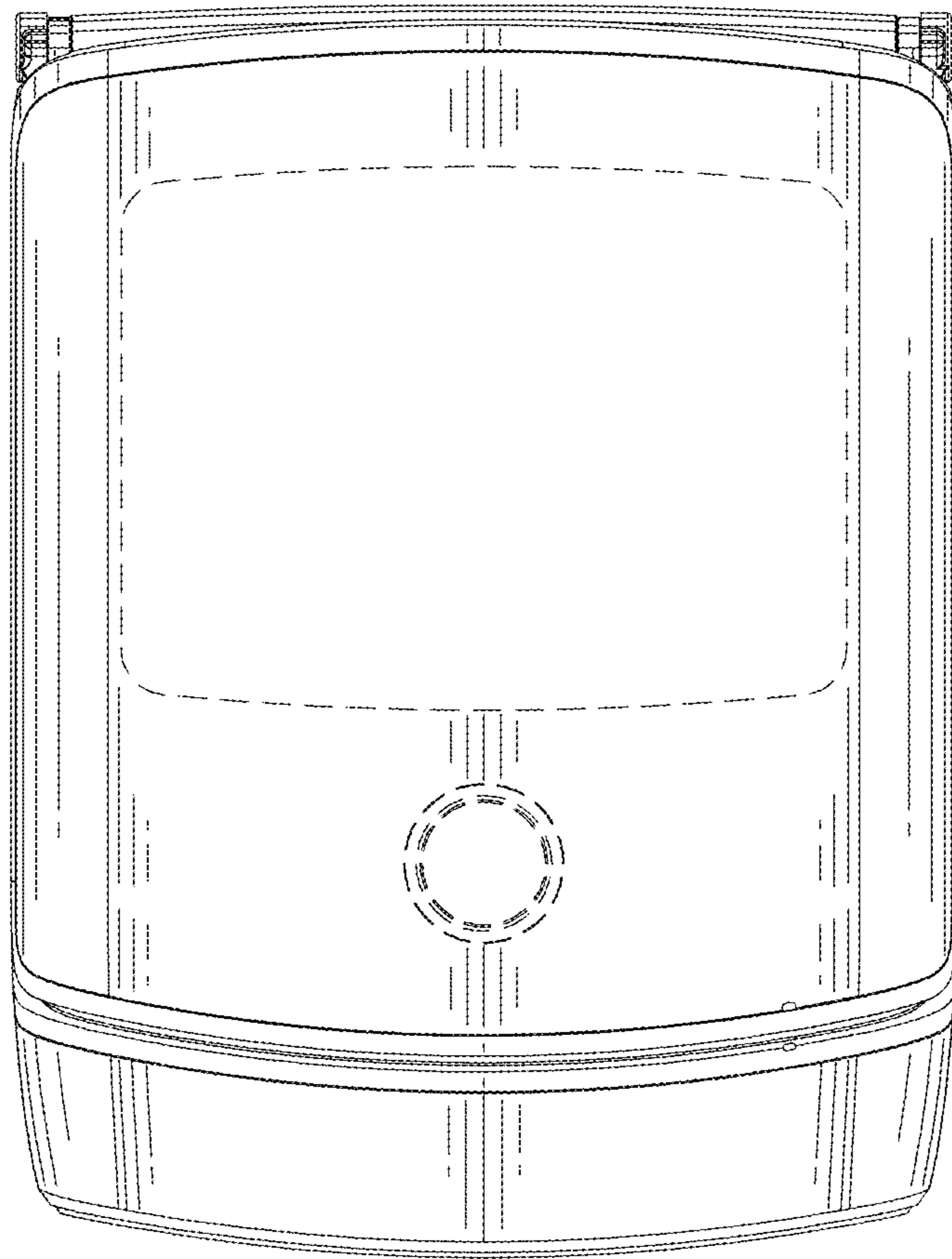


FIG. 3

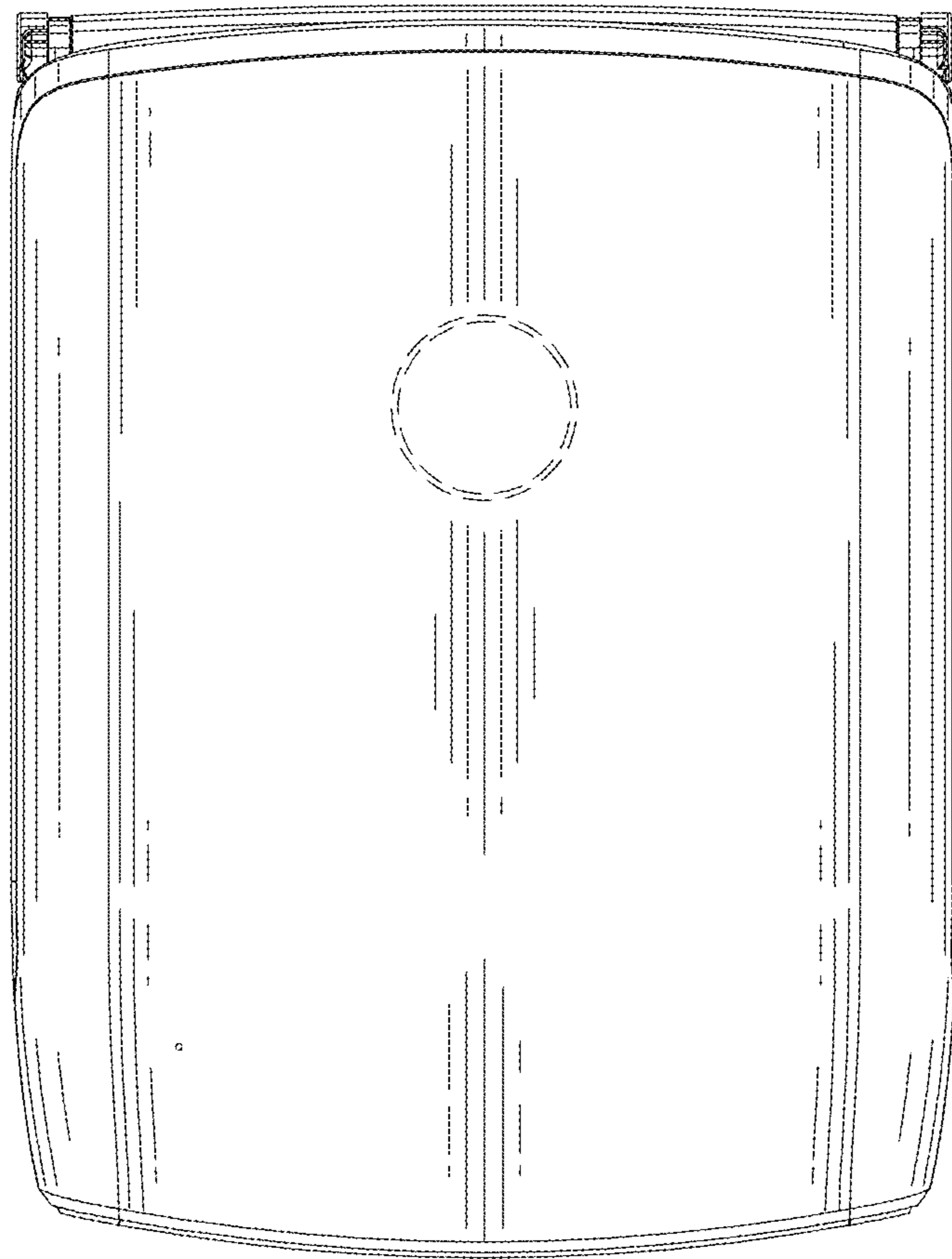


FIG. 4

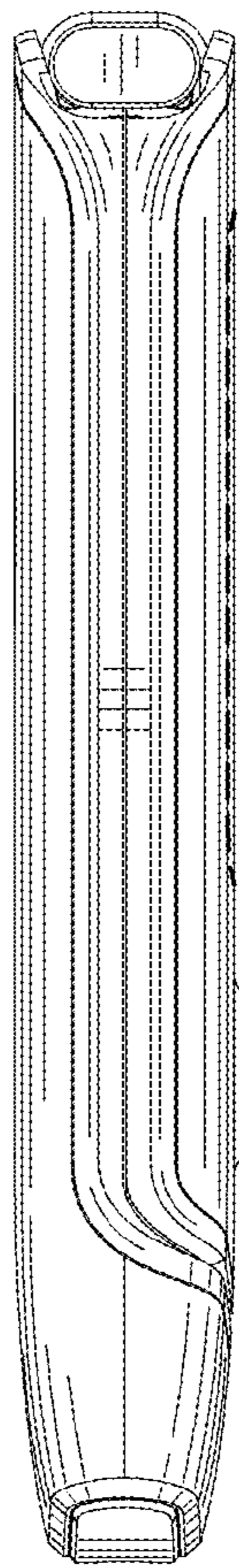


FIG. 5

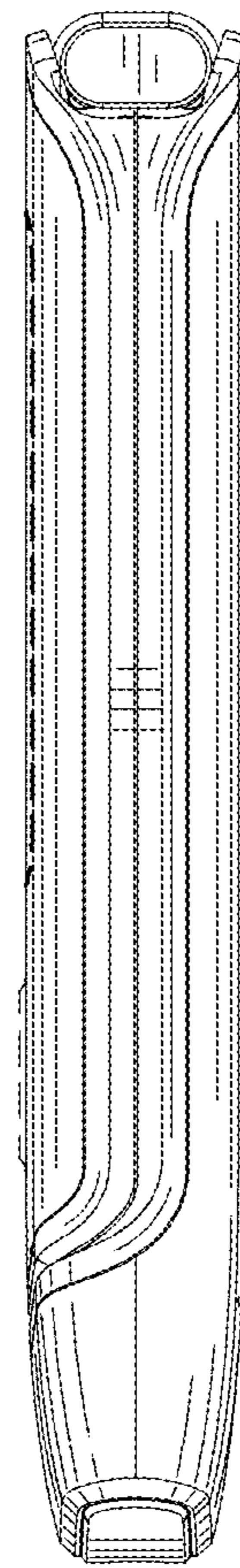


FIG. 6

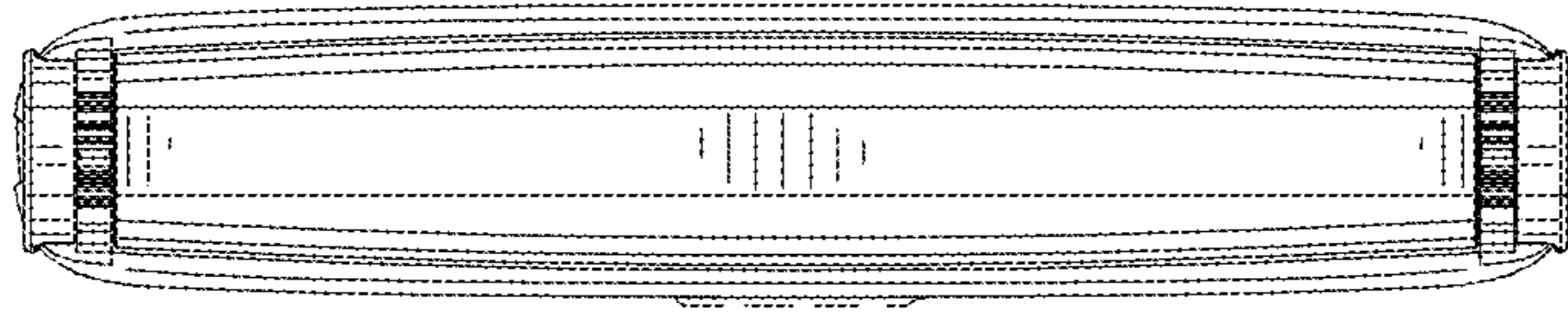


FIG. 7

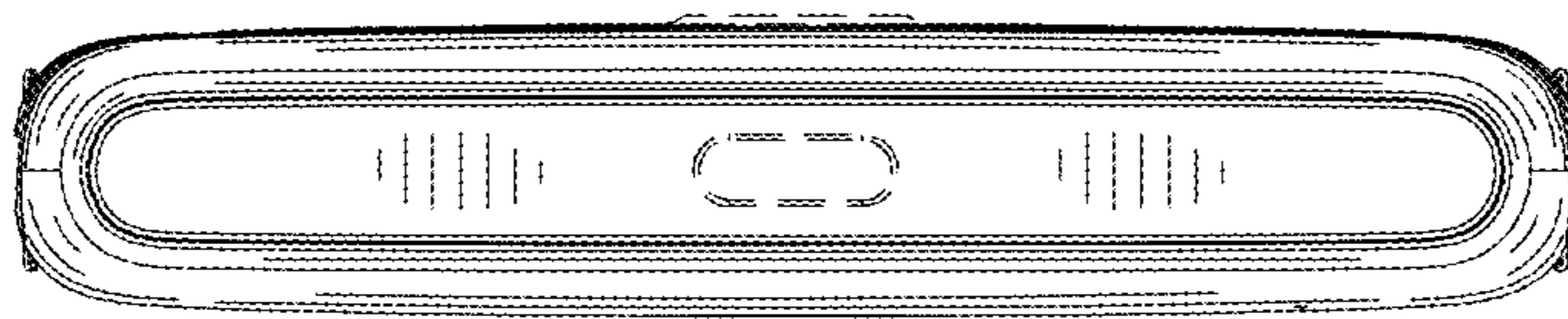


FIG. 8