



US00D938927S

(12) **United States Design Patent** (10) **Patent No.:** **US D938,927 S**  
**Breuer** (45) **Date of Patent:** **\*\* Dec. 21, 2021**

(54) **TELEVISION RECEIVER**

(71) Applicant: **SAMSUNG ELECTRONICS CO., LTD.**, Suwon-si (KR)

(72) Inventor: **Johannes Valentin Breuer**, Herrenberg (DE)

(73) Assignee: **SAMSUNG ELECTRONICS CO., LTD.**, Gyeonggi-Do (KR)

(\*\*) Term: **15 Years**

(21) Appl. No.: **29/711,739**

(22) Filed: **Nov. 1, 2019**

(30) **Foreign Application Priority Data**

May 2, 2019 (KR) ..... 30-2019-0020831

(51) **LOC (13) Cl.** ..... **14-03**

(52) **U.S. Cl.**  
USPC ..... **D14/126**

(58) **Field of Classification Search**

USPC ..... D14/125-134, 136, 239, 305, 307, D14/314-316, 335, 336, 340, 371-377, D14/448-451; D20/10, 17, 18, 19, 21, D20/27, 39, 41, 42, 99; D21/329, 332, D21/51; D6/300, 308, 309, 553, 574; D10/15, 70; D18/4.4  
CPC ..... G02B 6/0068; G06F 1/16; G06F 1/1601; G06F 1/1637; G06F 1/1643; H04N 5/64; H04N 5/66; H04N 5/655; H04N 7/00; H04N 9/3141; H04N 13/0459; H04N 17/04; H04N 17/004; H04N 21/43637; H05K 5/0204; H05K 5/0004; H05K 5/0017; H05K 5/0217; H05K 5/02; F16M 11/10; A47B 57/20; A47B 81/06; A47B 47/042

See application file for complete search history.

(56) **References Cited**

U.S. PATENT DOCUMENTS

D456,020 S \* 4/2002 Obata ..... D14/336  
D546,201 S \* 7/2007 Bhavnani ..... D10/15  
D577,206 S \* 9/2008 Chang ..... D6/300  
D593,091 S \* 5/2009 Behar ..... D14/371  
D600,455 S \* 9/2009 Nell ..... D14/371  
D609,661 S \* 2/2010 VanDuyn ..... D14/126

(Continued)

FOREIGN PATENT DOCUMENTS

EM 001915224-0006 9/2011  
EM 004096741-0002 11/2017  
KR DM096327 5/2017

*Primary Examiner* — Ramzi Almatrahi

*Assistant Examiner* — Charles Cunningham

(74) *Attorney, Agent, or Firm* — Cantor Colburn LLP

(57) **CLAIM**

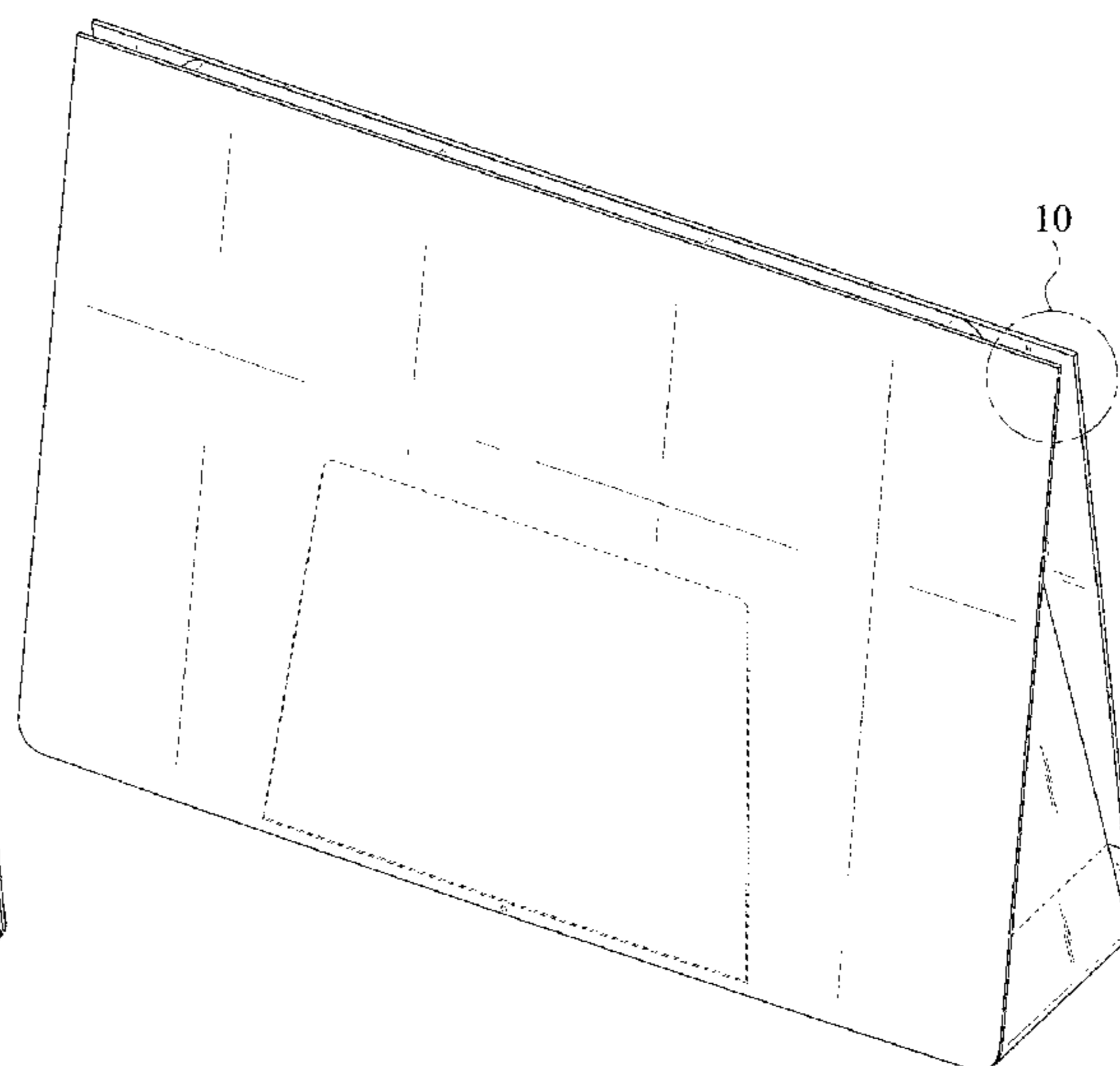
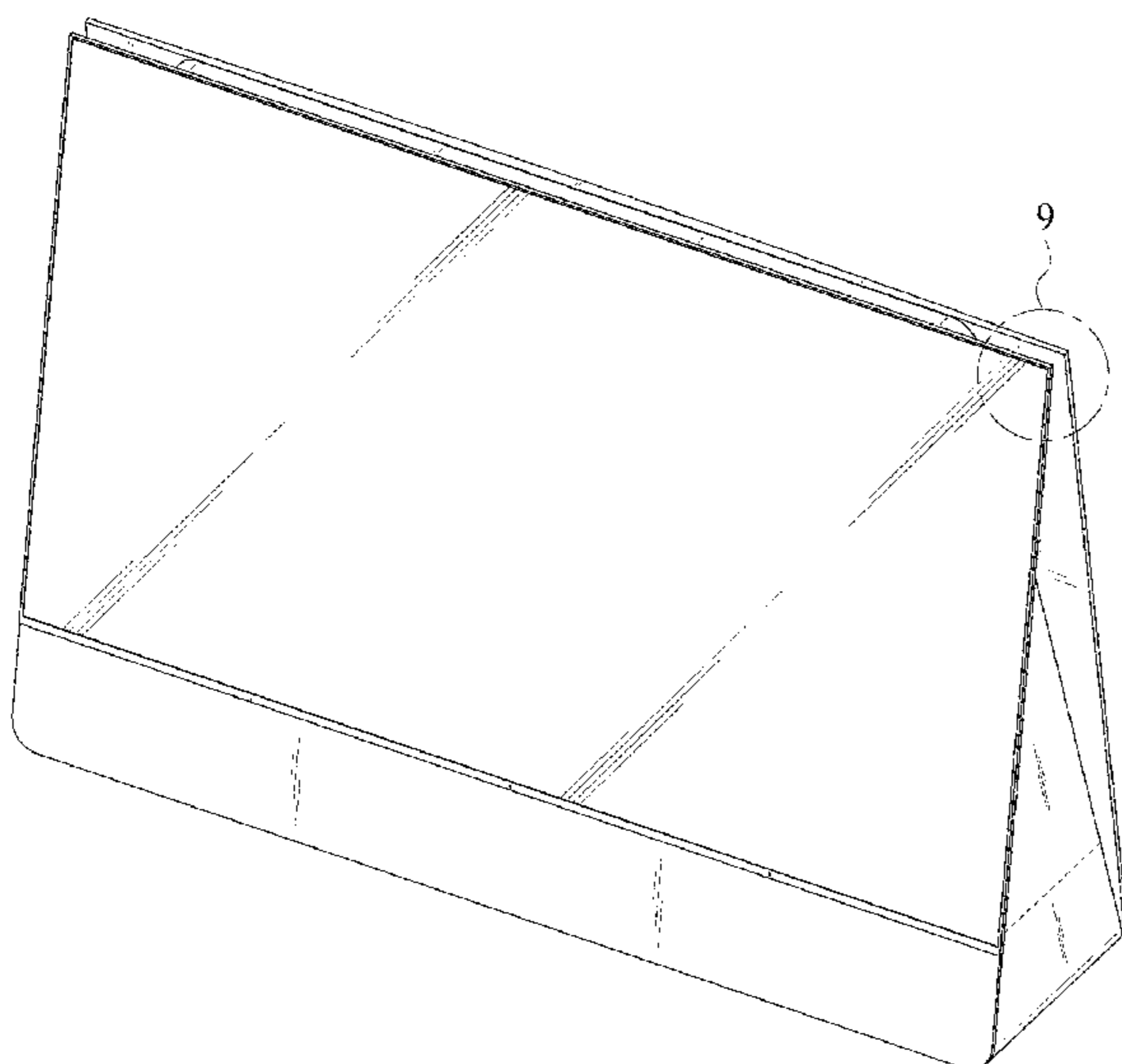
The ornamental design for a television receiver, as shown and described.

**DESCRIPTION**

FIG. 1 is a top, front and right-side perspective view of a television receiver, showing my new design; FIG. 2 is a front elevation view thereof; FIG. 3 is a rear elevation view thereof; FIG. 4 is a left-side elevation view thereof; FIG. 5 is a right-side elevation view thereof; FIG. 6 is a top plan view thereof; FIG. 7 is a bottom plan view thereof; FIG. 8 is a top, rear and left-side perspective view thereof; FIG. 9 is an enlarged view of the encircled portion 9 in FIG. 1; and, FIG. 10 is an enlarged view of the encircled portion 10 in FIG. 8.

The even-dash broken lines illustrating portions of the television receiver form no part of the claimed design. The dot-dash broken lines encircling enlargement portions of the claimed design form no part of the claimed design.

**1 Claim, 10 Drawing Sheets**



(56)

**References Cited**

U.S. PATENT DOCUMENTS

D646,902 S	*	10/2011	Woo .....	D6/308
D658,175 S	*	4/2012	Goetzen .....	D14/371
D690,691 S	*	10/2013	Hoshi .....	D14/336
D727,863 S	*	4/2015	Sung .....	D14/126
D775,595 S	*	1/2017	Nuk .....	D14/126
D780,608 S	*	3/2017	Lomas .....	D10/70
D817,313 S		5/2018	Horito et al.	
D856,410 S	*	8/2019	Lee .....	D18/4.4

\* cited by examiner

FIG. 1

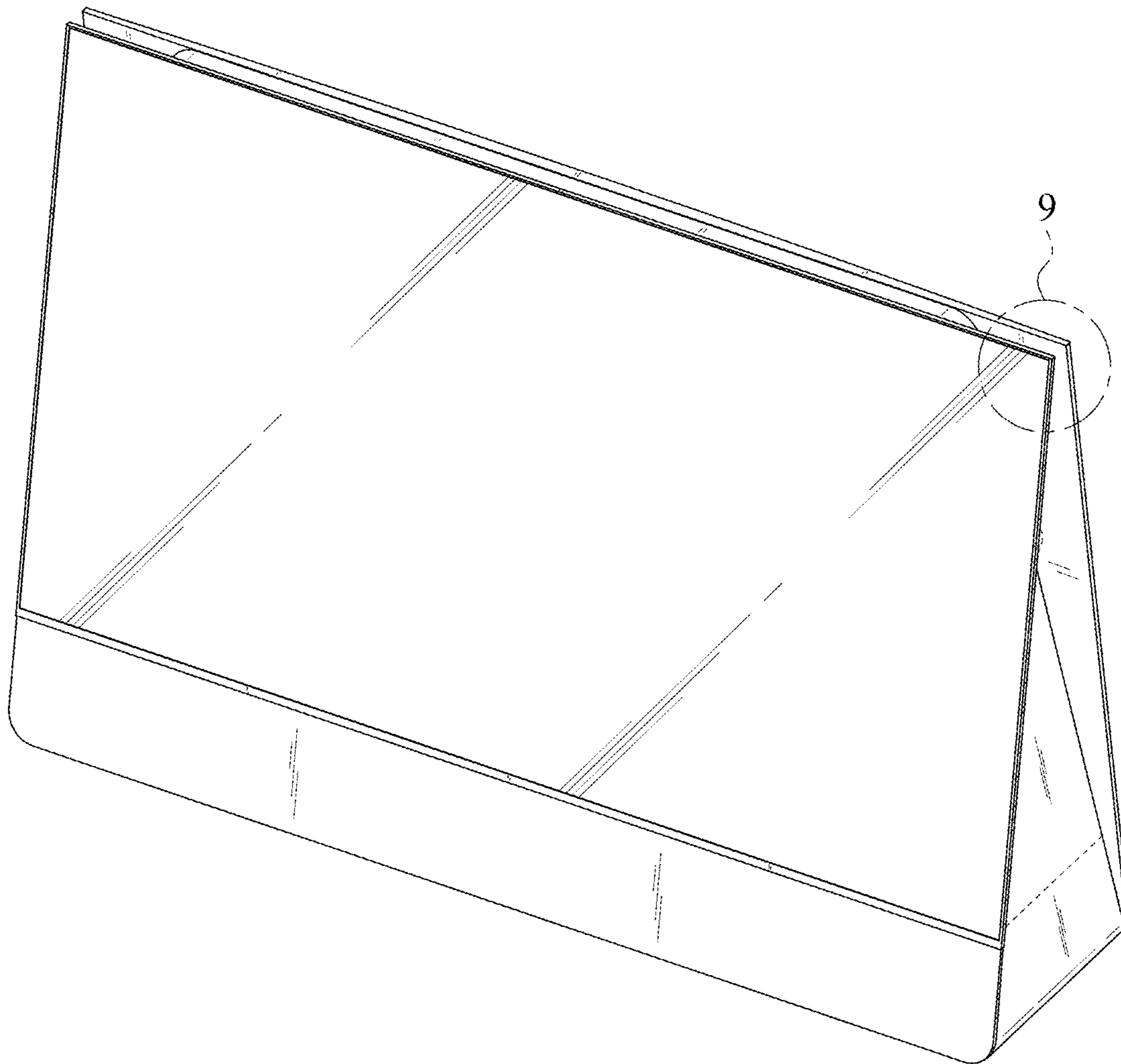


FIG. 2

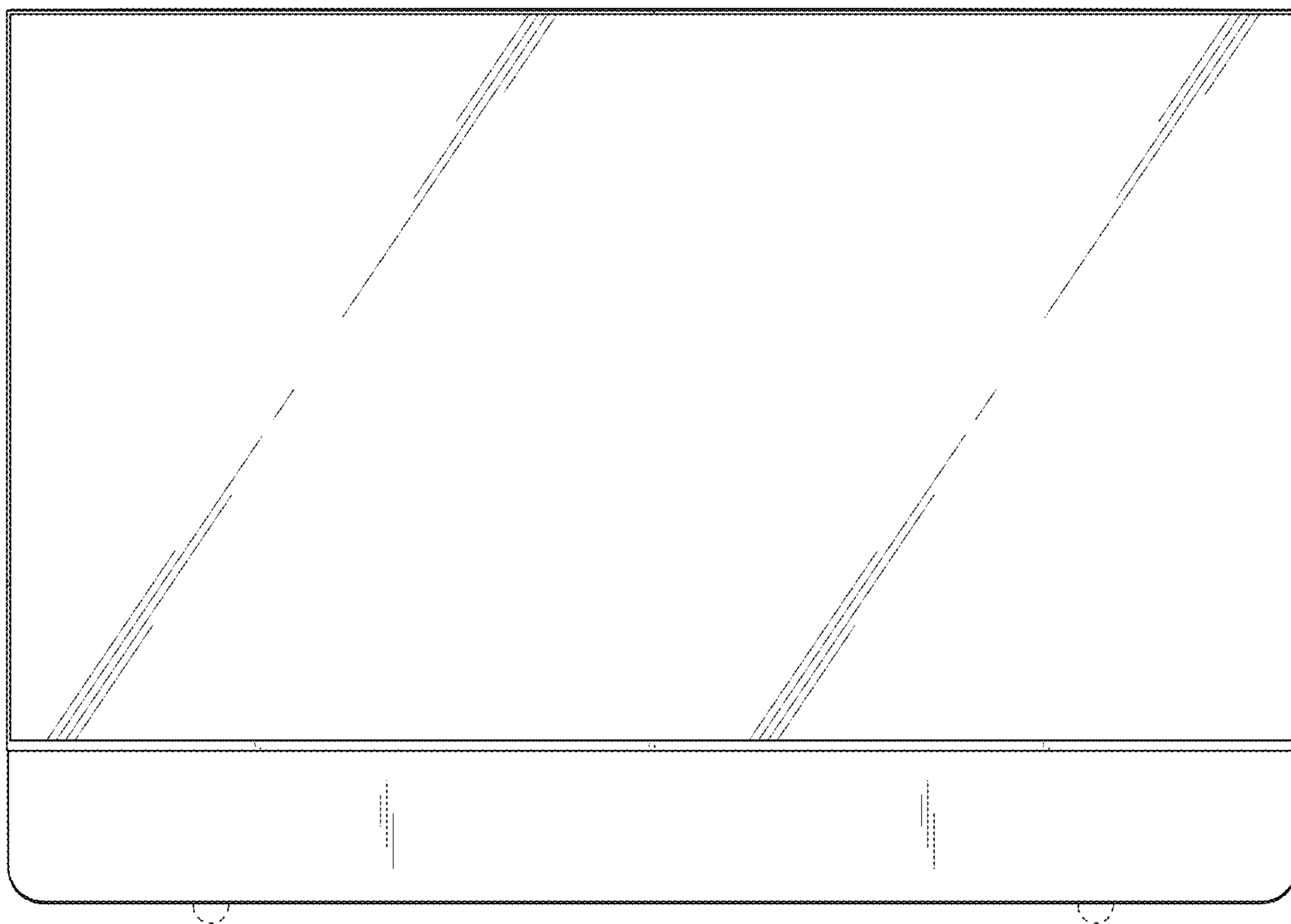


FIG. 3

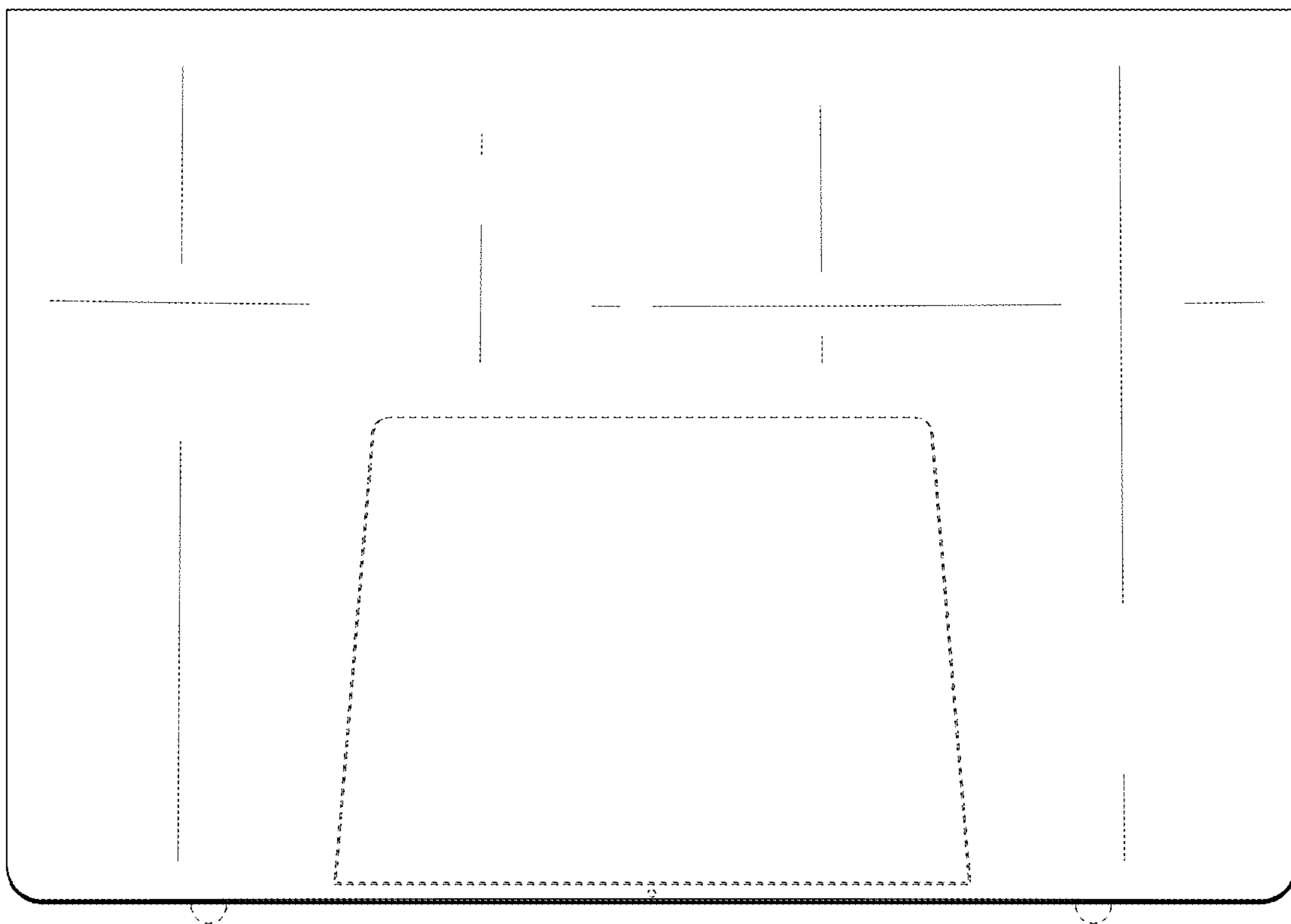


FIG. 4

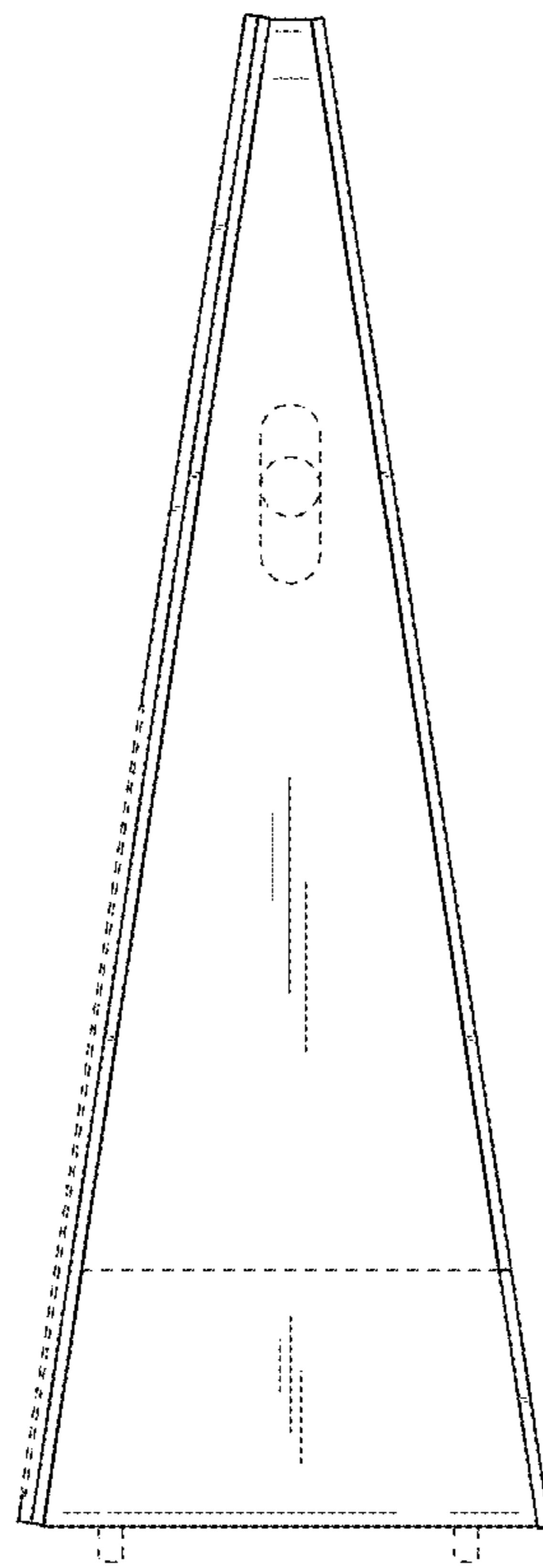


FIG. 5

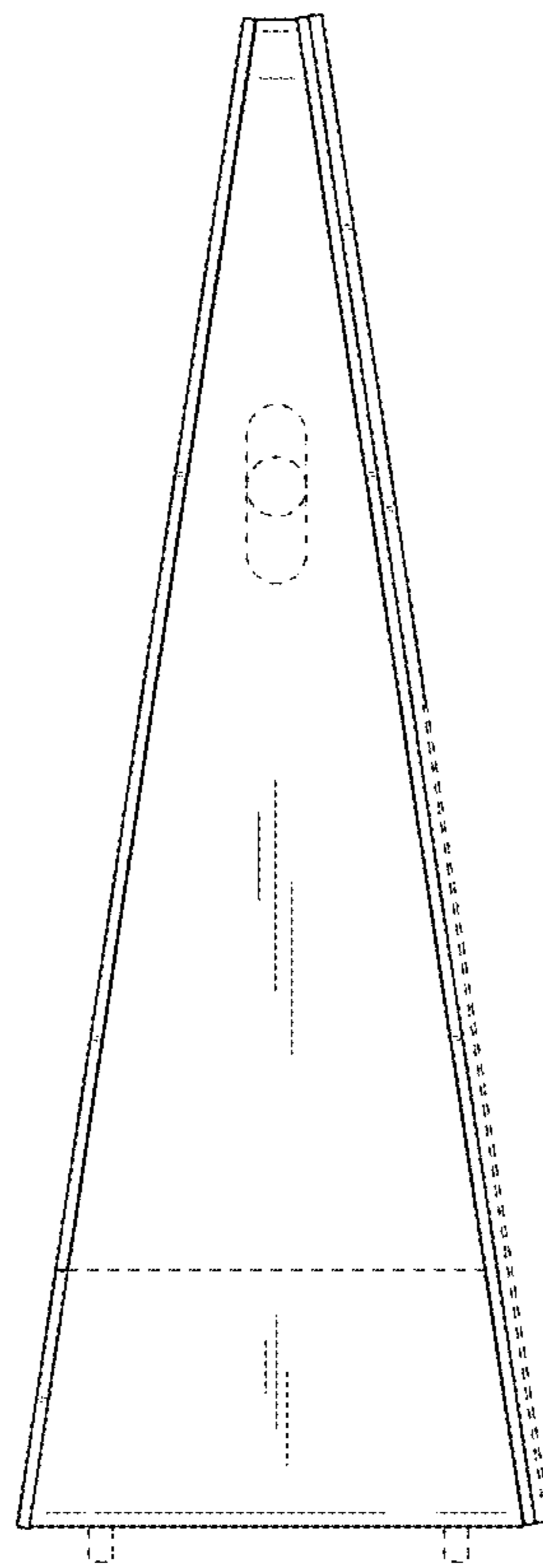


FIG. 6

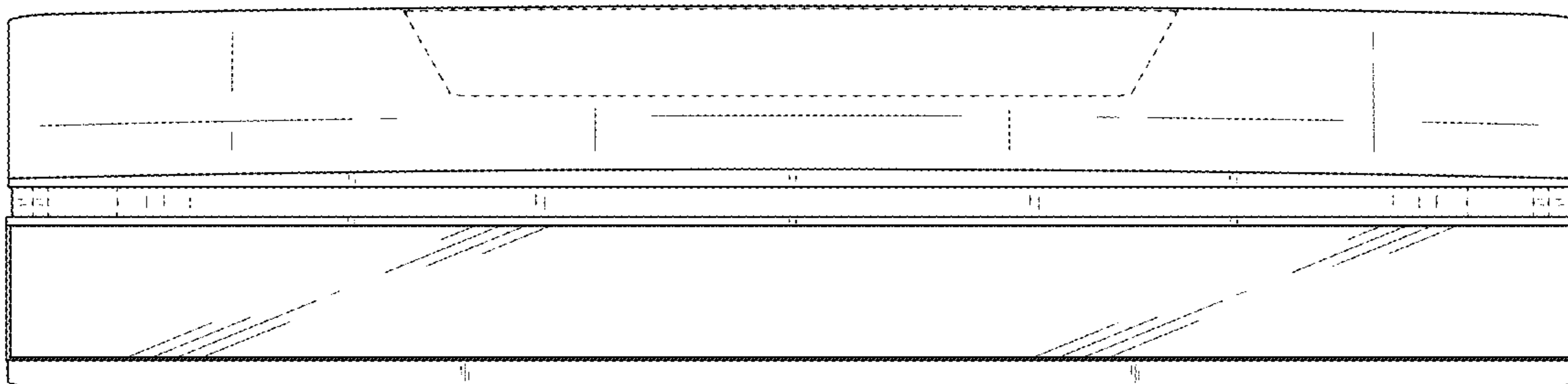




FIG. 7



FIG. 8

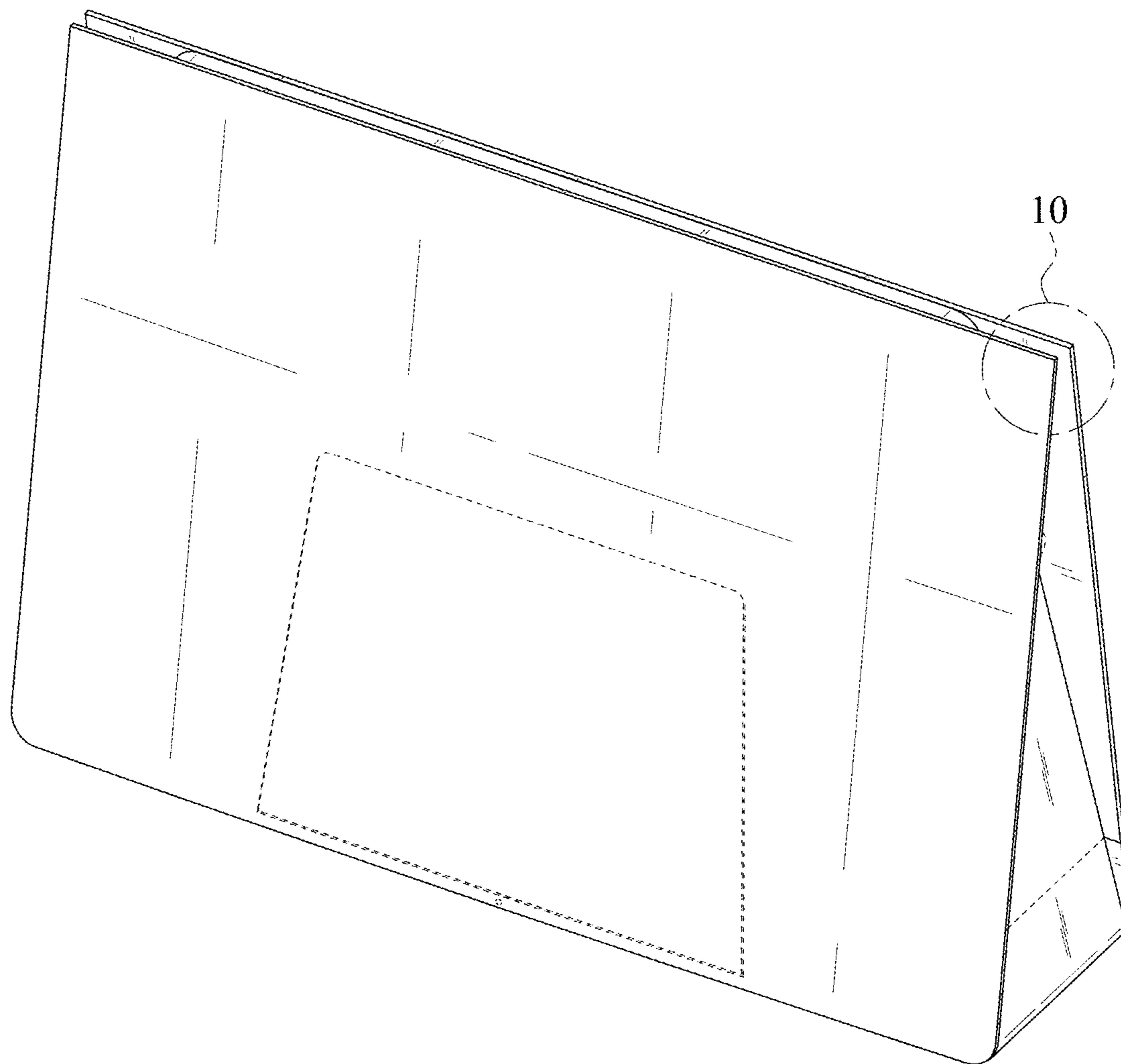


FIG. 9

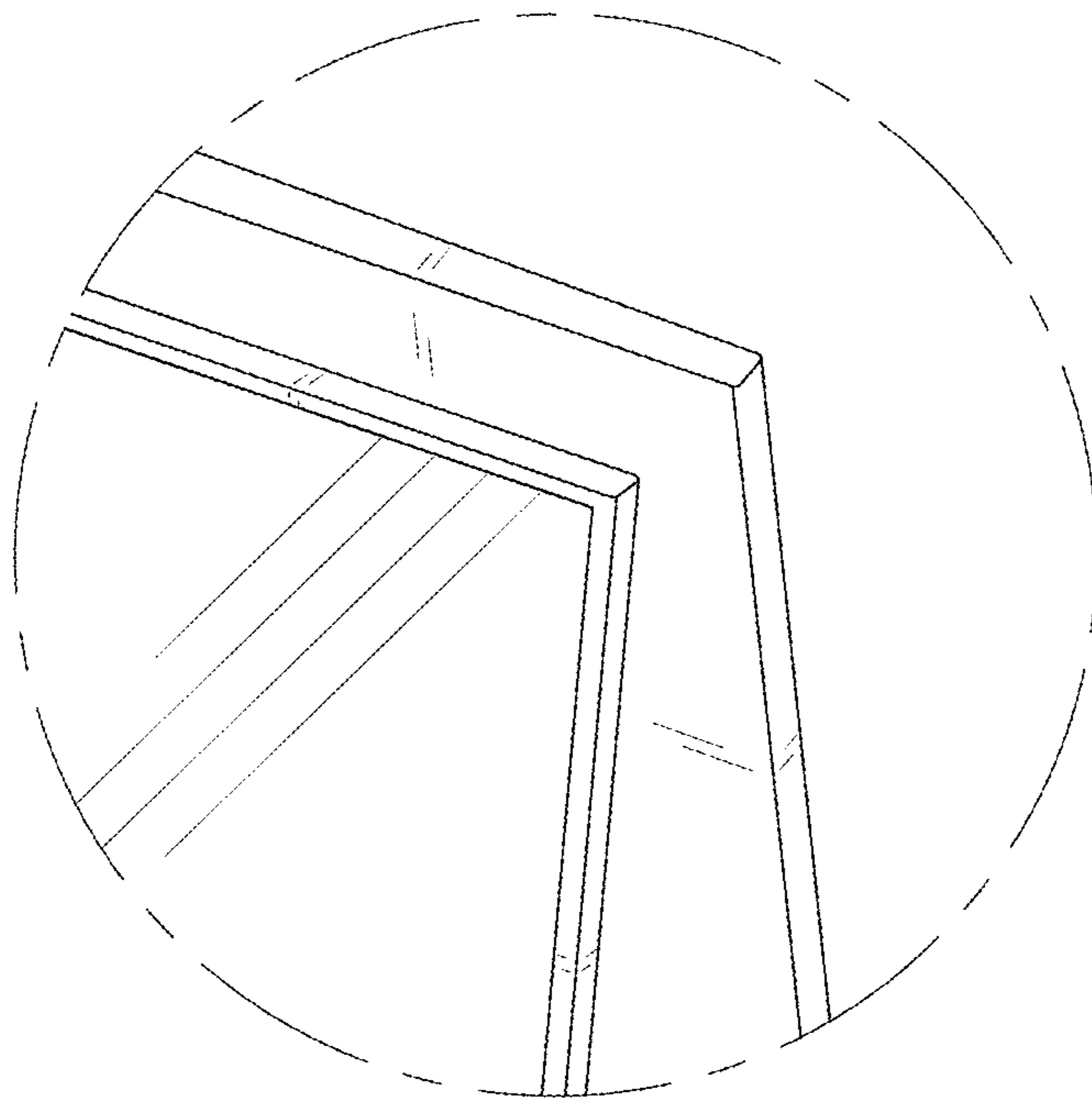


FIG. 10

