



US00D938926S

(12) **United States Design Patent**  
**Zheng et al.**

(10) **Patent No.:** **US D938,926 S**

(45) **Date of Patent:** **\*\* Dec. 21, 2021**

(54) **BROADCAST CONTROL BOX**

(71) Applicant: **ADVANCED NEW TECHNOLOGIES CO., LTD.**, Grand Cayman (KY)

(72) Inventors: **Kunkun Zheng**, Hangzhou (CN); **Le Zhou**, Hangzhou (CN)

(73) Assignee: **ADVANCED NEW TECHNOLOGIES CO., LTD.**, Grand Cayman (KY)

(\*\*) Term: **15 Years**

(21) Appl. No.: **29/695,275**

(22) Filed: **Jun. 18, 2019**

(30) **Foreign Application Priority Data**

Dec. 21, 2018 (CN) ..... 201830746450.4

(51) **LOC (13) Cl.** ..... **14-03**

(52) **U.S. Cl.**  
USPC ..... **D14/125**

(58) **Field of Classification Search**  
USPC ..... D14/125-126, 127-137, 157, 167-168, D14/203.1-203.8, 239, 260, 314-317, D14/322, 334-336, 339-341, 356-358, D14/371, 373-374, 432-434, 498; D16/200-208, 211, 216-219, 221, 230, D16/237; D13/108, 110, 123, 152, 158, D13/162, 162.1, 163, 168, 184, 199  
CPC ..... G06F 1/16; G06F 1/1601; G06F 1/1637; H04N 5/64; H05K 5/0017; H05K 5/0204; H05K 5/0217

See application file for complete search history.

(56) **References Cited**

U.S. PATENT DOCUMENTS

D261,887 S *	11/1981	Hisatsune	.....	D14/188
D267,949 S *	2/1983	Hisatsune	.....	D14/188
D314,947 S *	2/1991	Imamura	.....	D14/354
D350,333 S *	9/1994	Sharp	.....	D14/355
D433,393 S *	11/2000	Hisatsune	.....	D14/125
D439,893 S *	4/2001	Tokuhara	.....	D14/301
D447,746 S *	9/2001	Tonozuka	.....	D14/348
D824,900 S *	8/2018	Wu	.....	D14/356
D894,843 S *	9/2020	Shen	.....	D13/158
D894,863 S *	9/2020	Zheng	.....	D14/155
10,917,979 B1 *	2/2021	Paul	.....	H05K 5/0047

\* cited by examiner

*Primary Examiner* — Barbara Fox  
*Assistant Examiner* — Aram Kwon

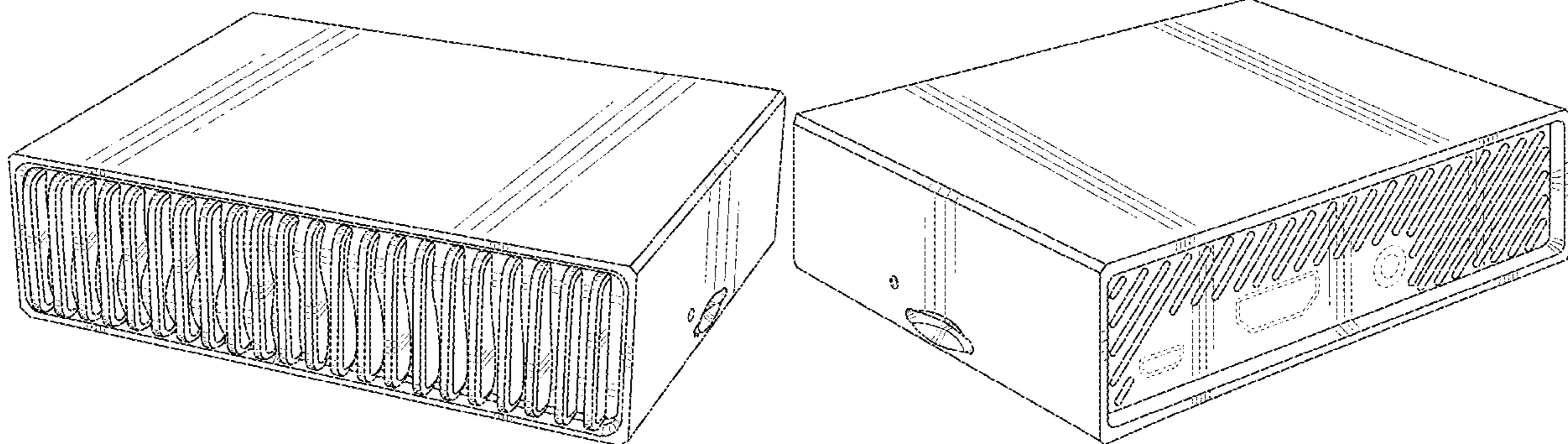
(57) **CLAIM**

The ornamental design for a broadcast control box, as shown and described.

**DESCRIPTION**

FIG. 1 is a front view of a broadcast control box, showing our new design;  
FIG. 2 is a rear view thereof;  
FIG. 3 is a left-side view thereof;  
FIG. 4 is a right-side view thereof;  
FIG. 5 is a top view thereof;  
FIG. 6 is a bottom view thereof;  
FIG. 7 is a front-right perspective view thereof; and,  
FIG. 8 is a rear-right perspective view thereof.  
The broken lines in FIGS. 3-5, 7, and 8 depict portions of the broadcast control box that are not part of the claimed design. Any shading and cross-hatching are not features of the design but are utilized to illustrate the surface contours of the broadcast control box.

**1 Claim, 8 Drawing Sheets**



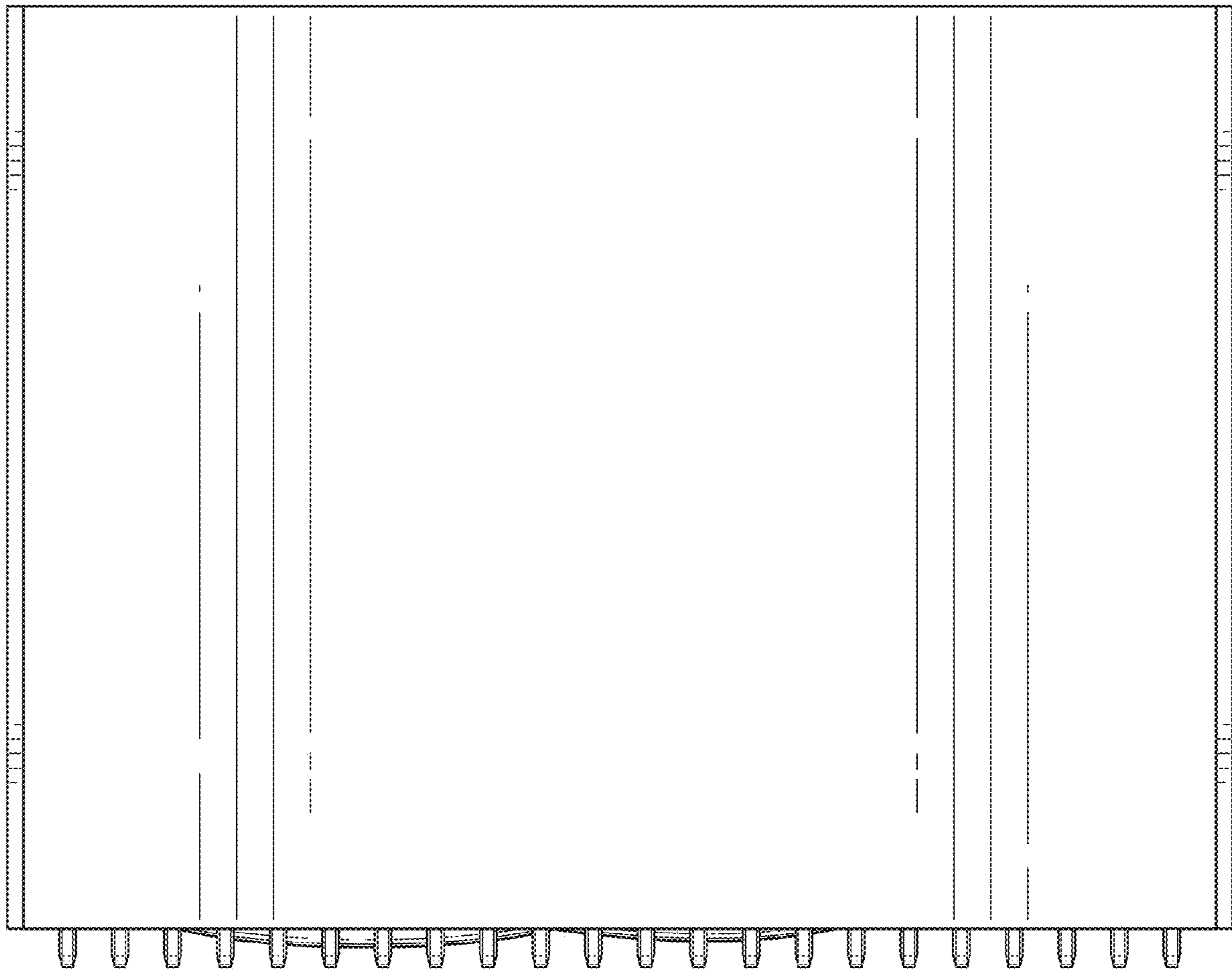


FIG. 1

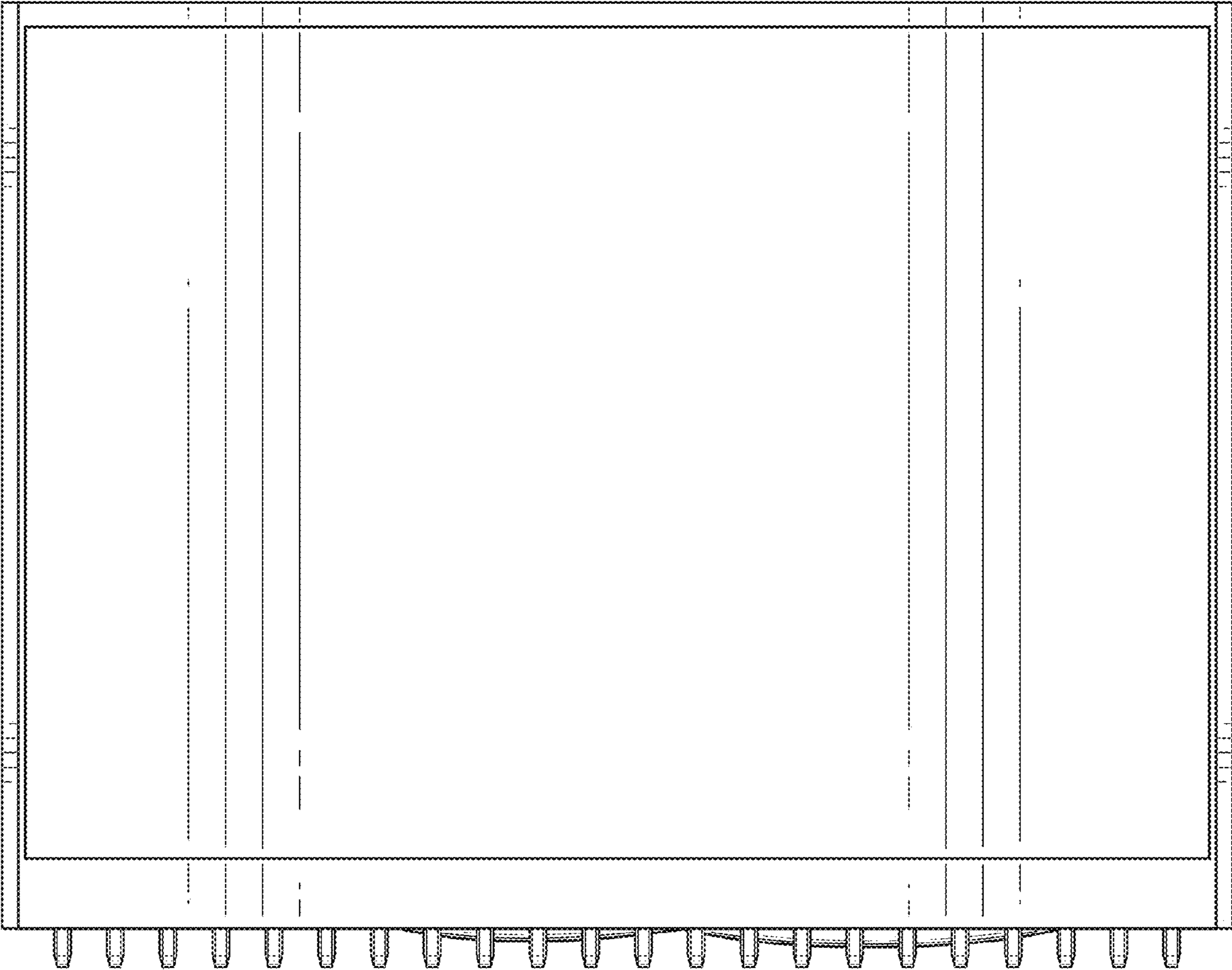


FIG. 2

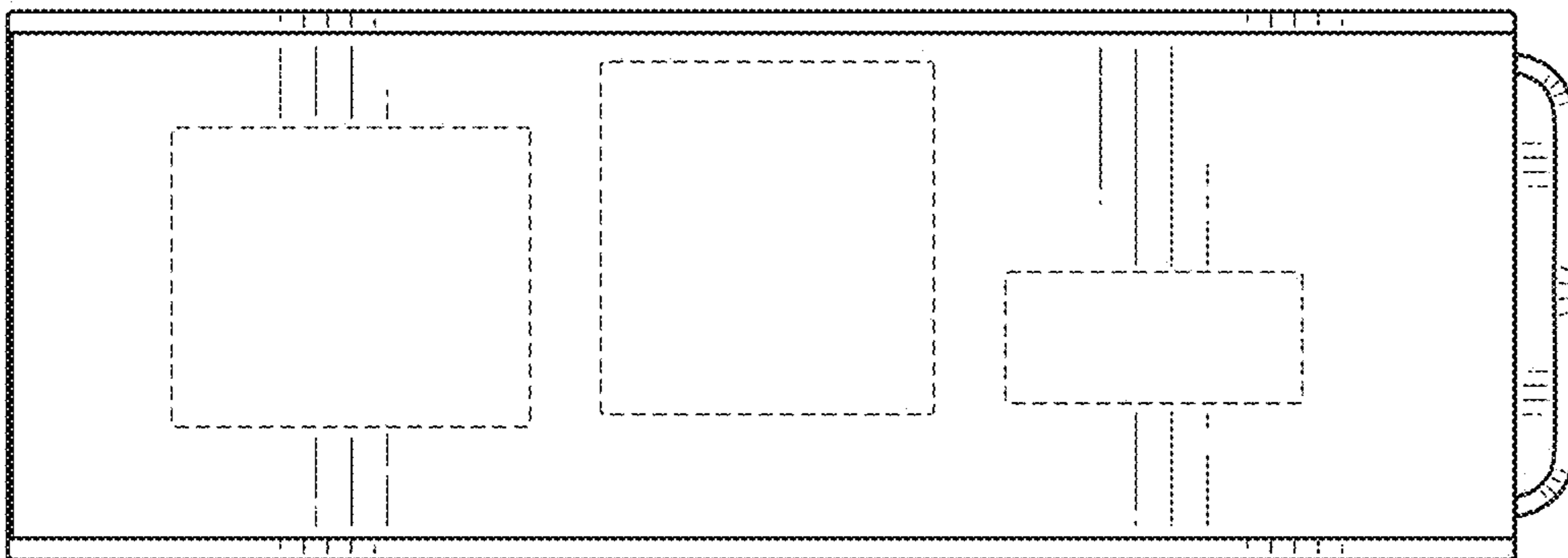


FIG. 3

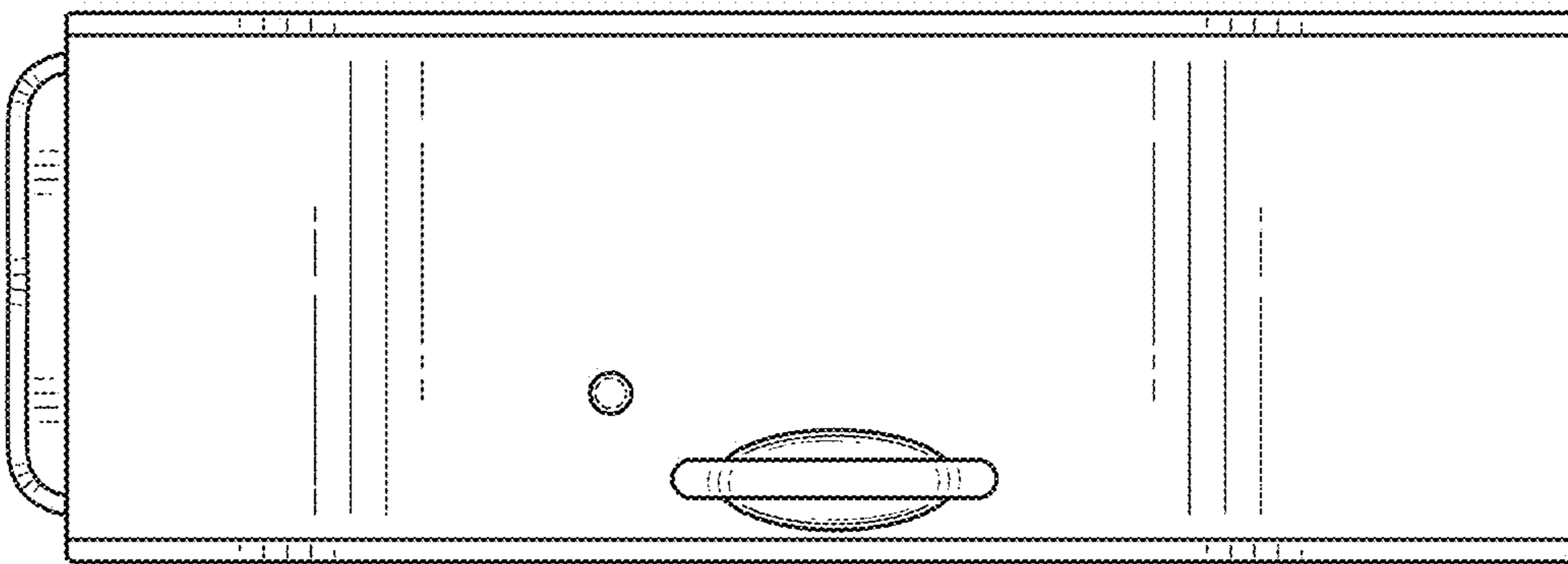


FIG. 4



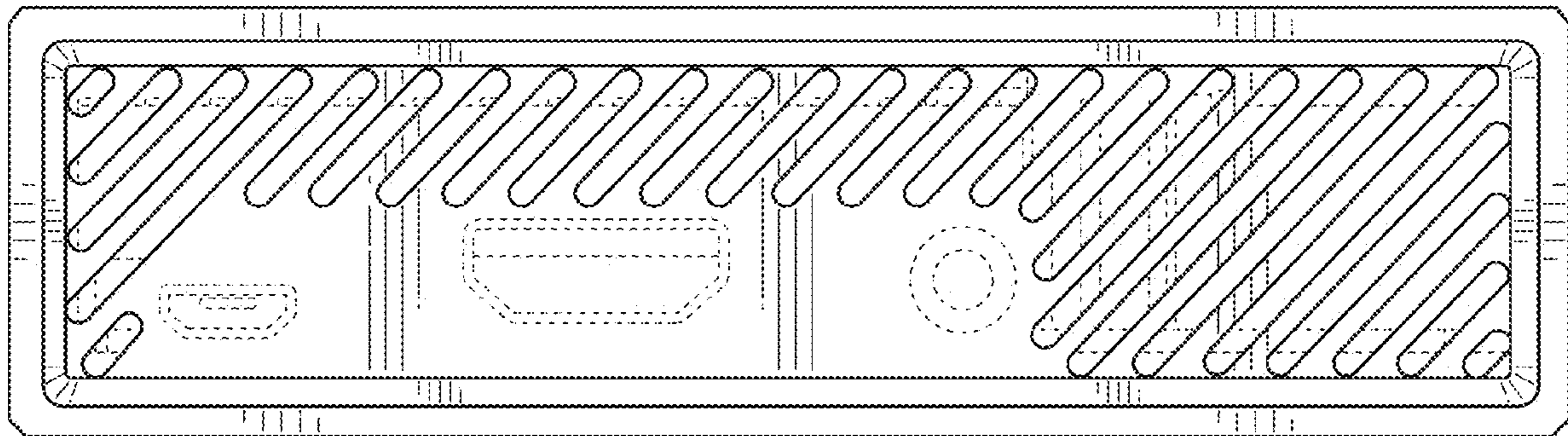


FIG. 5

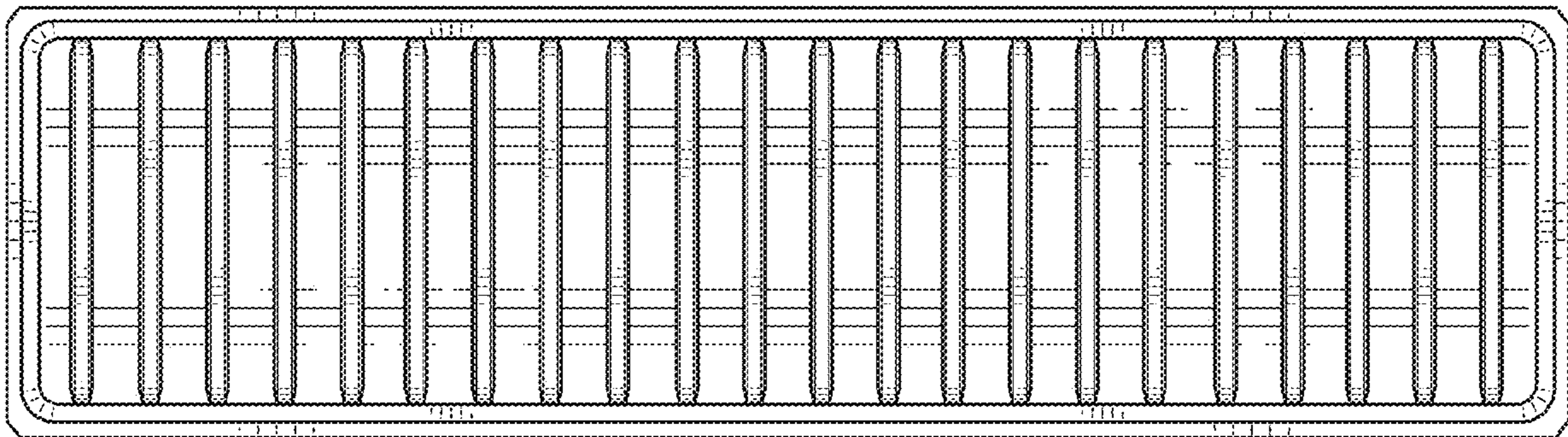


FIG. 6

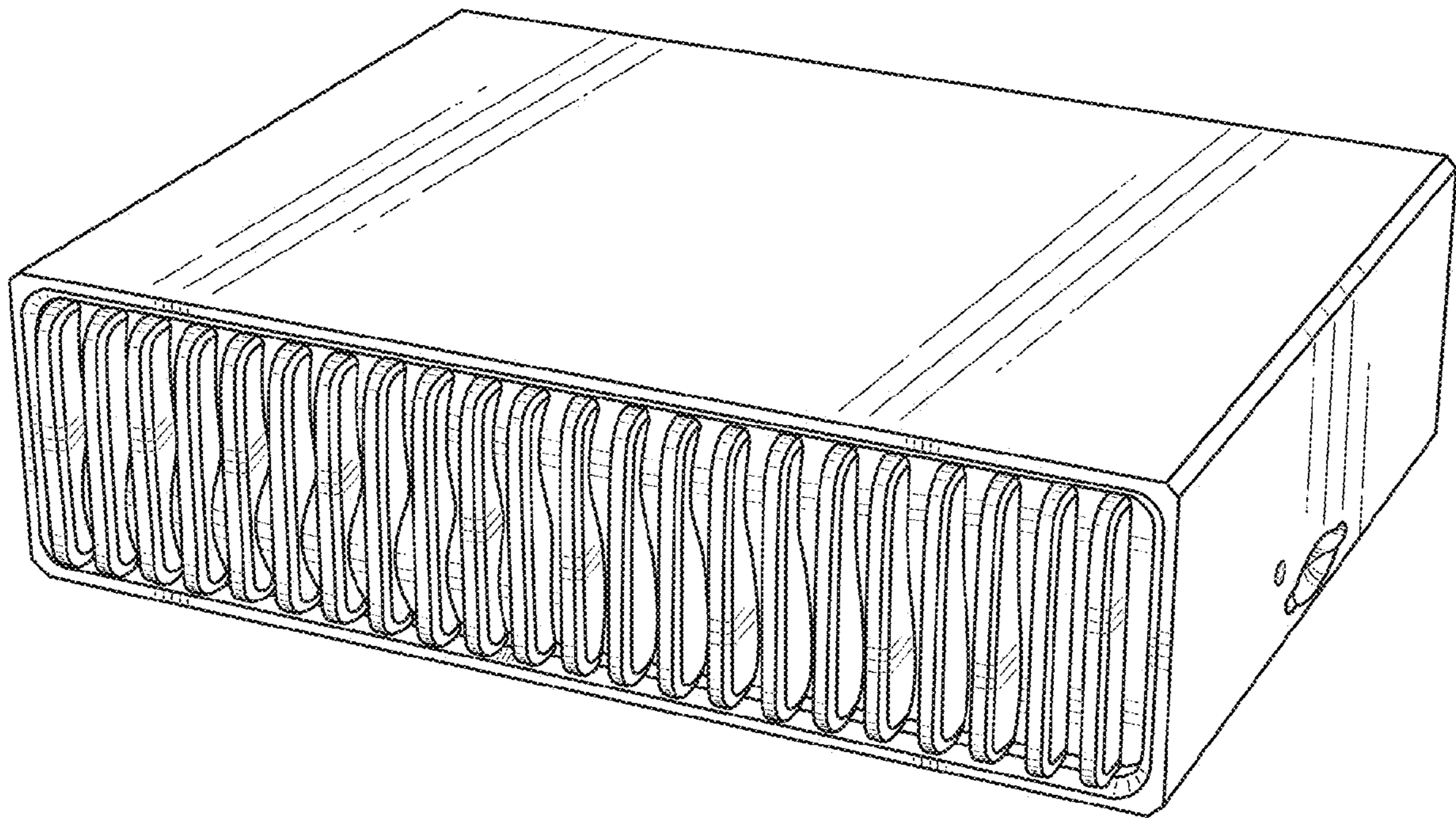


FIG. 7



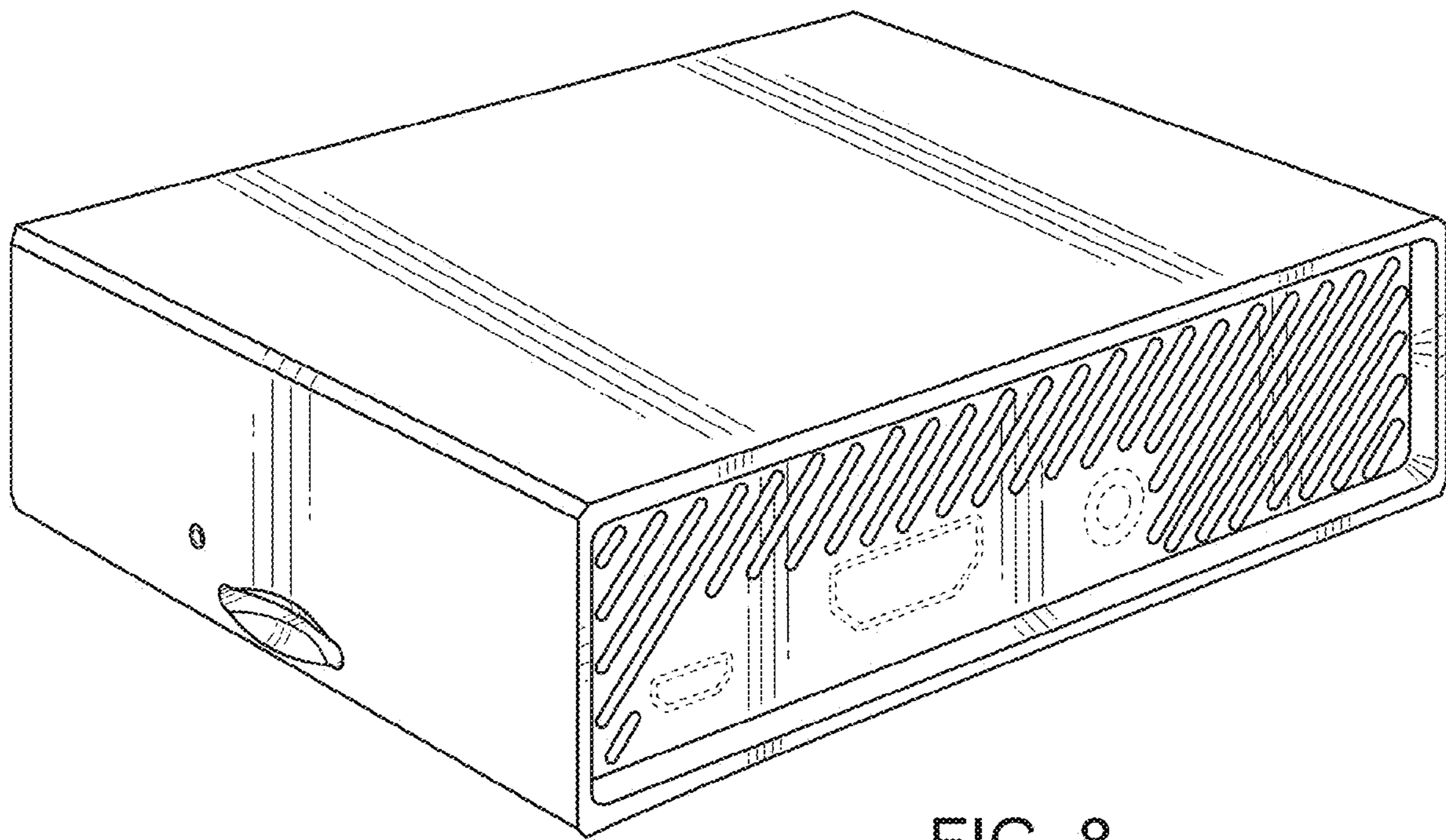


FIG. 8