



US00D938924S

(12) **United States Design Patent**
Habip

(10) **Patent No.:** **US D938,924 S**

(45) **Date of Patent:** **** Dec. 21, 2021**

(54) **LED CONTROLLER**

(71) Applicant: **Tolga Habip**, New York, NY (US)

(72) Inventor: **Tolga Habip**, New York, NY (US)

(**) Term: **15 Years**

(21) Appl. No.: **29/760,132**

(22) Filed: **Nov. 30, 2020**

(51) **LOC (13) Cl.** **14-03**

(52) **U.S. Cl.**

USPC **D13/168**; D26/39

(58) **Field of Classification Search**

USPC D13/158, 162, 168; D14/155, 217, 218,
D14/358, 433, 434, 480.4, 480.5, 480.7;
D26/39

CPC G08C 17/02; G09F 23/00; H01H 9/02;
H01H 9/0214; H01H 9/0235; H04B
1/202; F21S 4/00; F21S 4/10; F21S 4/20

See application file for complete search history.

(56) **References Cited**

U.S. PATENT DOCUMENTS

- 5,469,342 A * 11/1995 Chien A42B 1/242
224/660
- D391,922 S * 3/1998 Aromin D13/160
- D405,796 S * 2/1999 Uehara D14/218
- D411,894 S * 7/1999 Rick D26/39
- D499,199 S * 11/2004 Cooper D26/39
- D500,302 S * 12/2004 Deguchi D14/480.4
- D500,485 S * 1/2005 Deguchi D14/480.4
- 6,874,904 B2 * 4/2005 Hsu A43B 3/0005
313/510
- D529,044 S * 9/2006 Andre D14/203.3
- D546,328 S * 7/2007 Kobayakawa D14/480.4
- D547,758 S * 7/2007 Ho D14/480.7
- D575,288 S * 8/2008 Chen D14/432
- D583,816 S * 12/2008 Guccione D14/480.5
- D595,875 S * 7/2009 Irvine D26/24

- D604,870 S * 11/2009 Hong D26/24
- D623,783 S * 9/2010 Christianson D26/39
- D626,921 S * 11/2010 Pang D13/158
- D631,055 S * 1/2011 Gilbert D14/480.5
- D638,806 S * 5/2011 Kim D13/168
- 8,025,432 B2 * 9/2011 Wainright A42B 3/044
362/394
- D688,255 S * 8/2013 Daniel D14/480.4
- D729,427 S * 5/2015 Kovac D26/39
- D739,585 S * 9/2015 Chun D26/38
- D757,734 S * 5/2016 Emami D14/480.7
- D796,484 S * 9/2017 Chen D14/218
- D875,692 S * 2/2020 Shi D13/168
- D891,377 S * 7/2020 Ahrari D13/168
- D900,789 S * 11/2020 Chen D14/218
- D910,580 S * 2/2021 Zhu D13/168
- D911,295 S * 2/2021 Chen D13/168
- D921,635 S * 6/2021 Wu D14/433
- 2016/0076717 A1 * 3/2016 Magner F21S 4/10
362/190
- 2018/0149345 A1 * 5/2018 Zhang F21V 23/003
- 2019/0069649 A1 * 3/2019 Qin F21S 9/02

* cited by examiner

Primary Examiner — Selina Sikder

(57) **CLAIM**

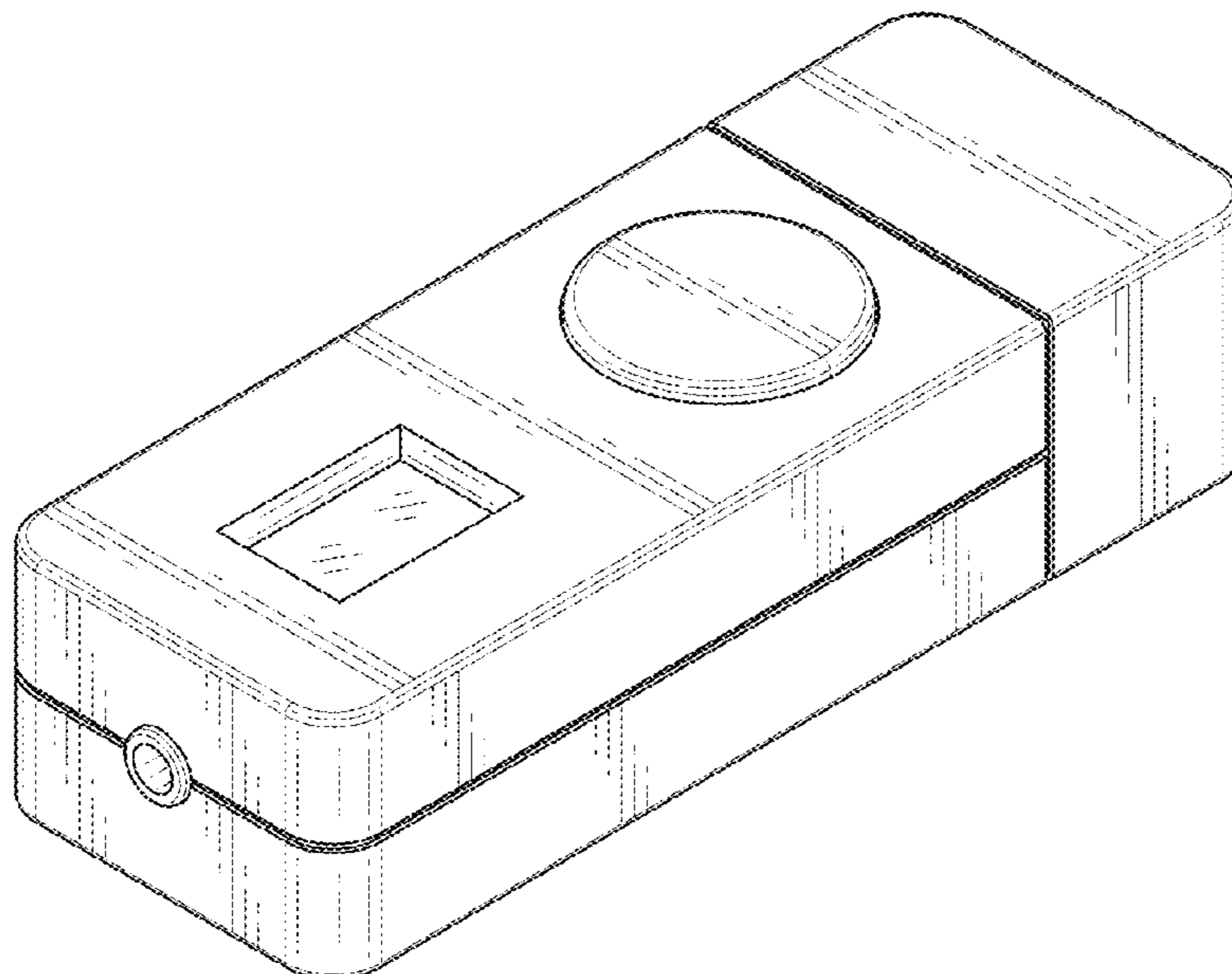
The ornamental design for LED controller, as shown.

DESCRIPTION

FIG. 1 is a perspective view of LED controller showing my new design;
 FIG. 2 is an exploded perspective view thereof;
 FIG. 3 is a front view thereof;
 FIG. 4 is a back view thereof;
 FIG. 5 is a right side view thereof;
 FIG. 6 is a left side view thereof;
 FIG. 7 is a top view thereof; and,
 FIG. 8 is a bottom view.

The broken lines in FIG. 2 depict an unclaimed part.

1 Claim, 7 Drawing Sheets



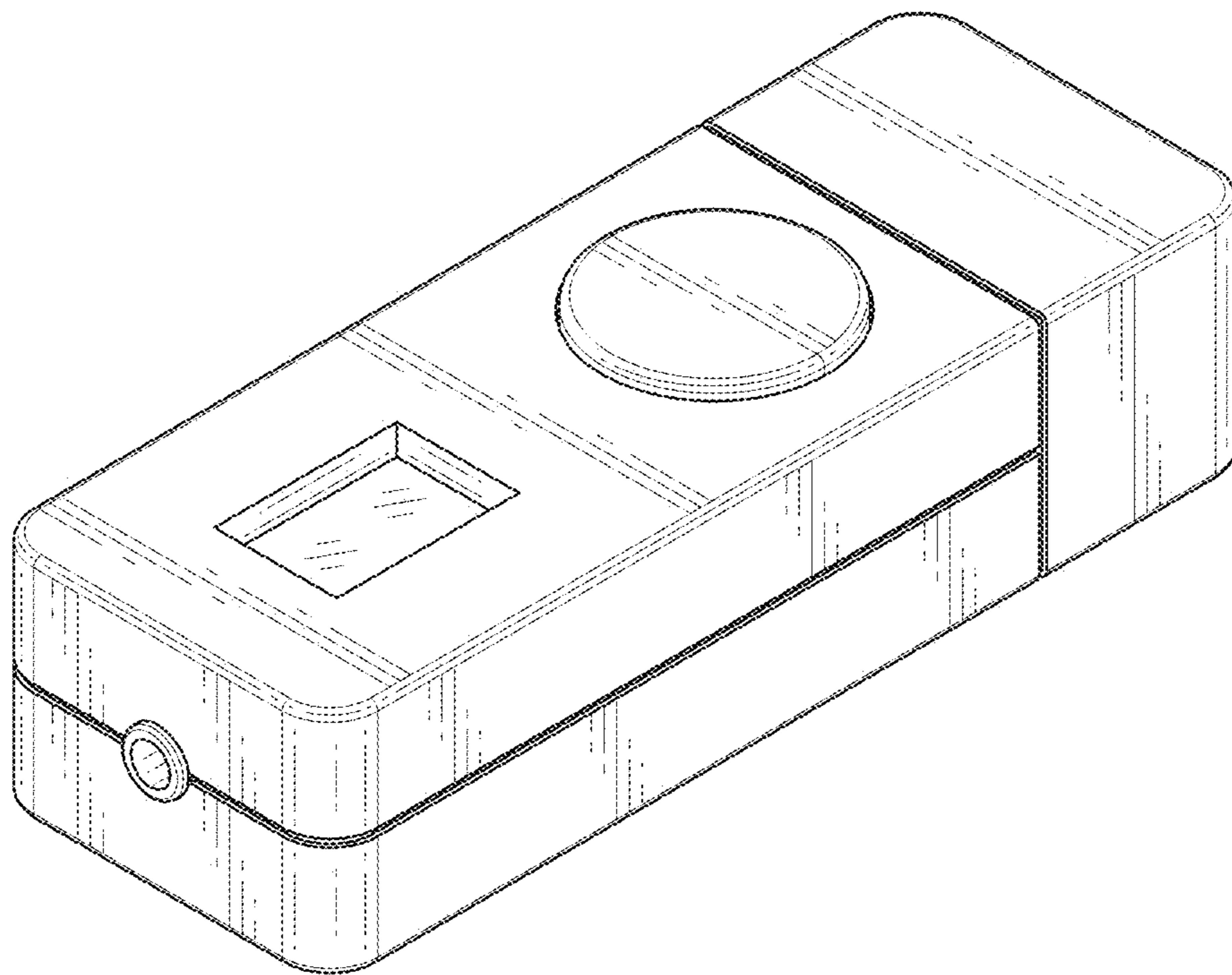


FIG. 1

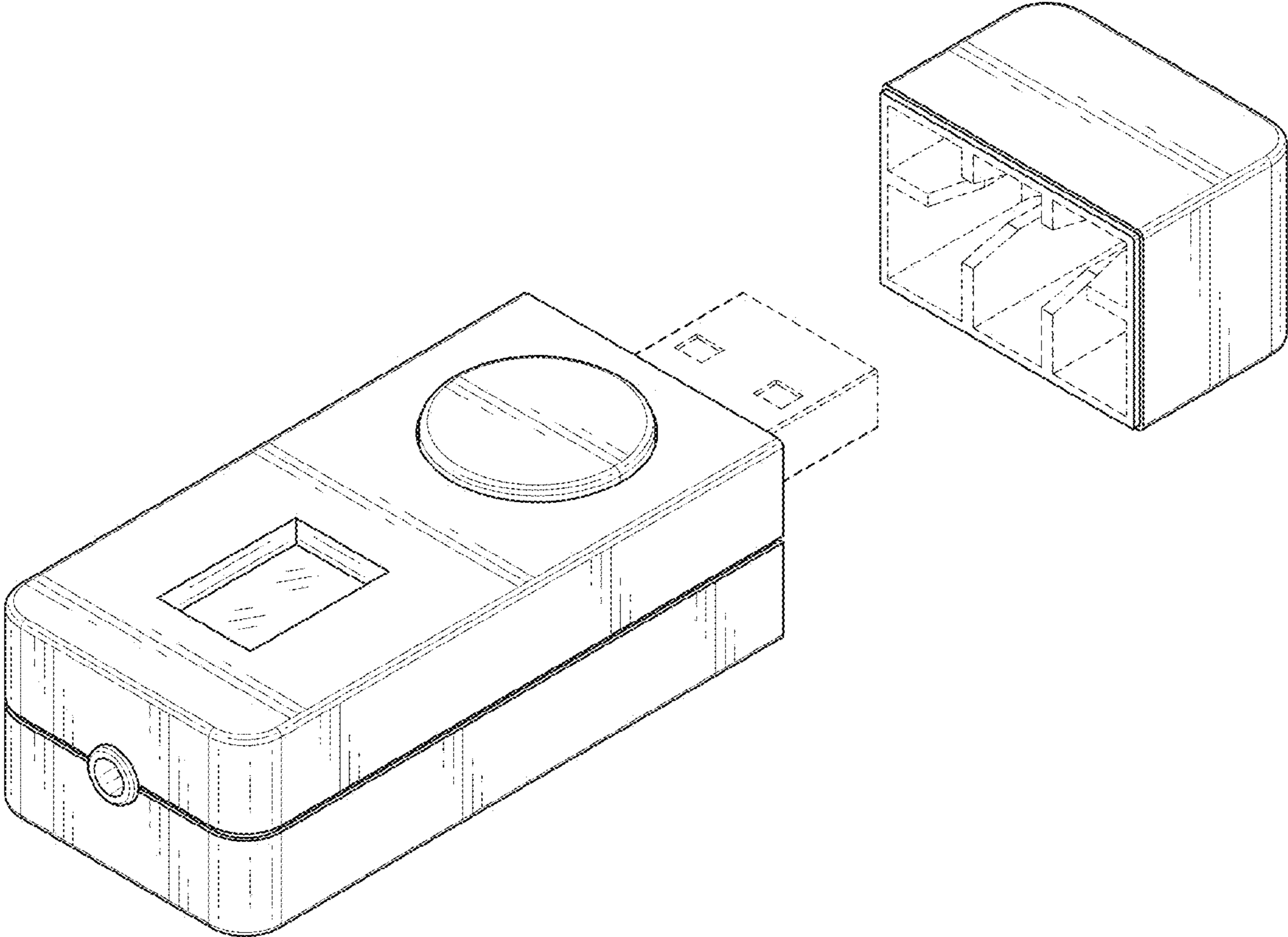


FIG. 2

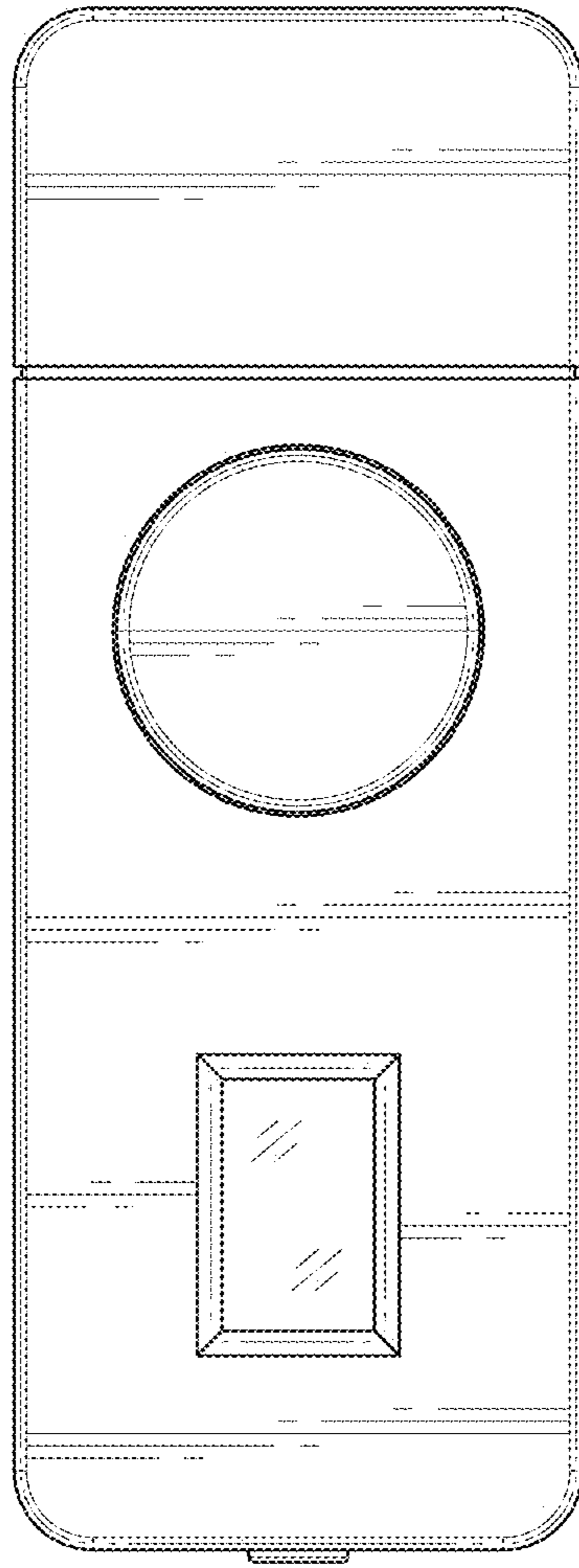


FIG. 3

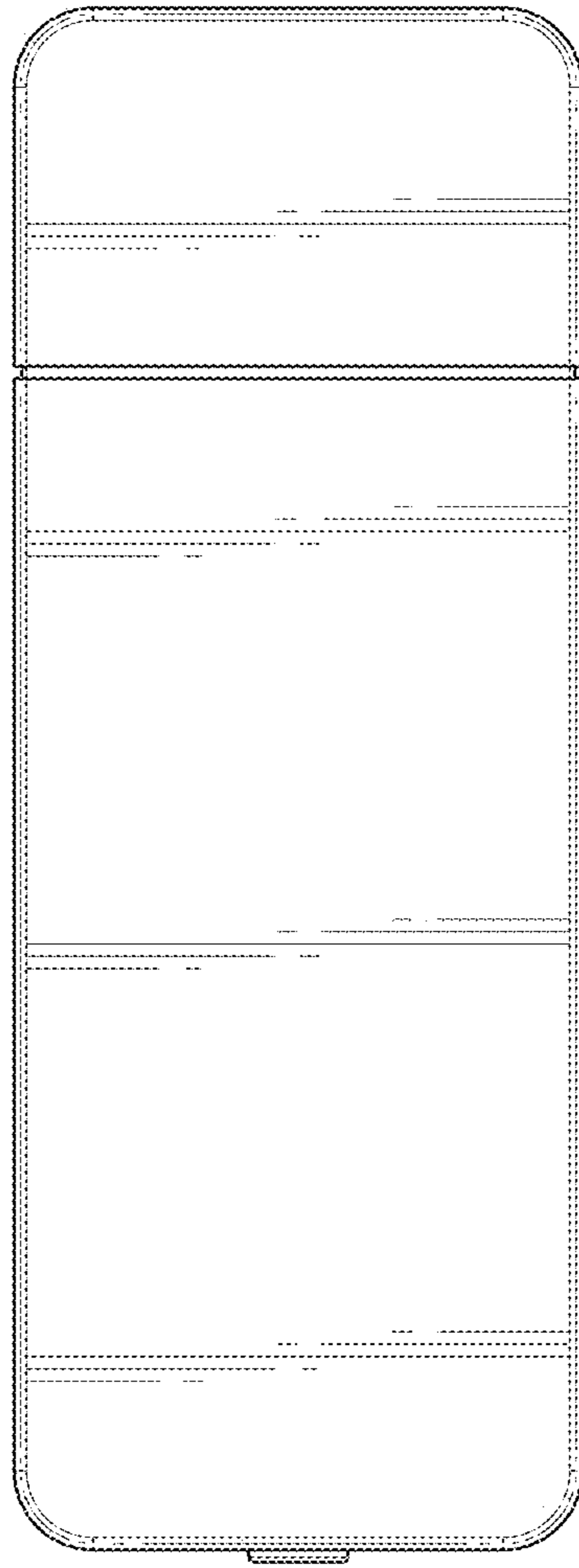


FIG. 4

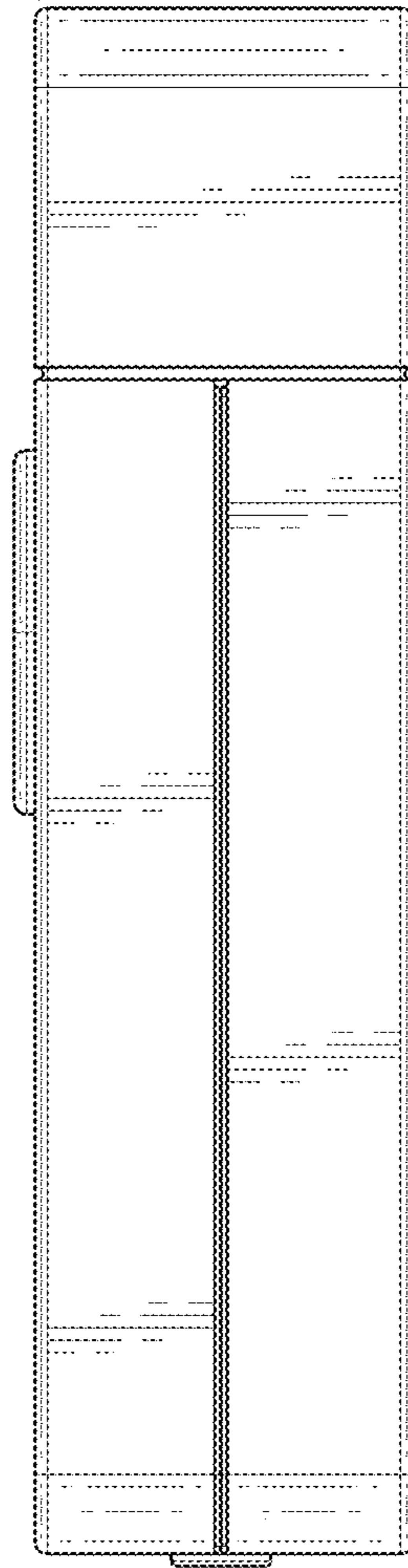


FIG. 5

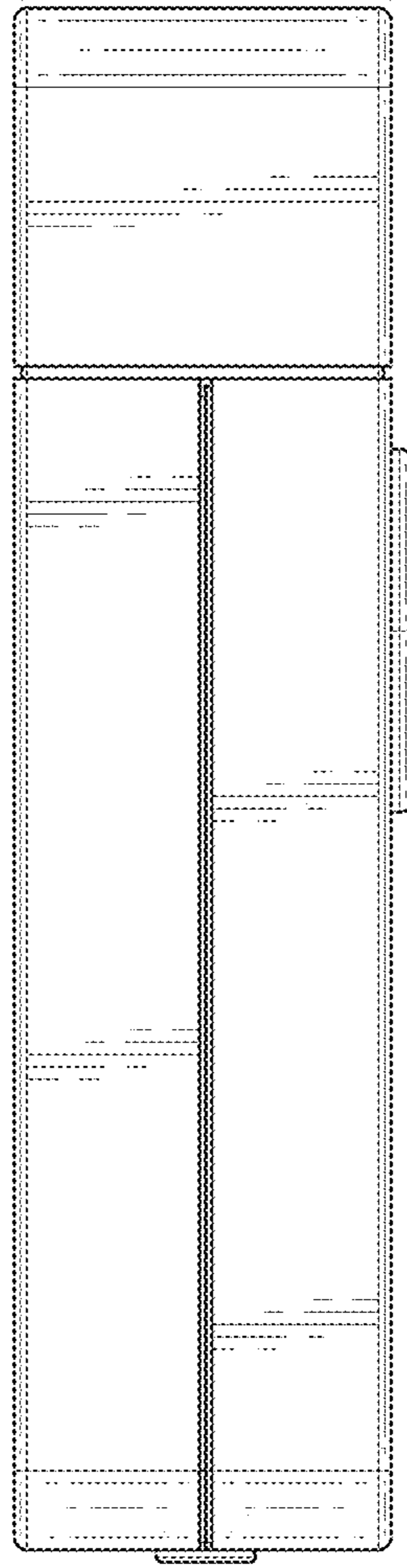


FIG. 6

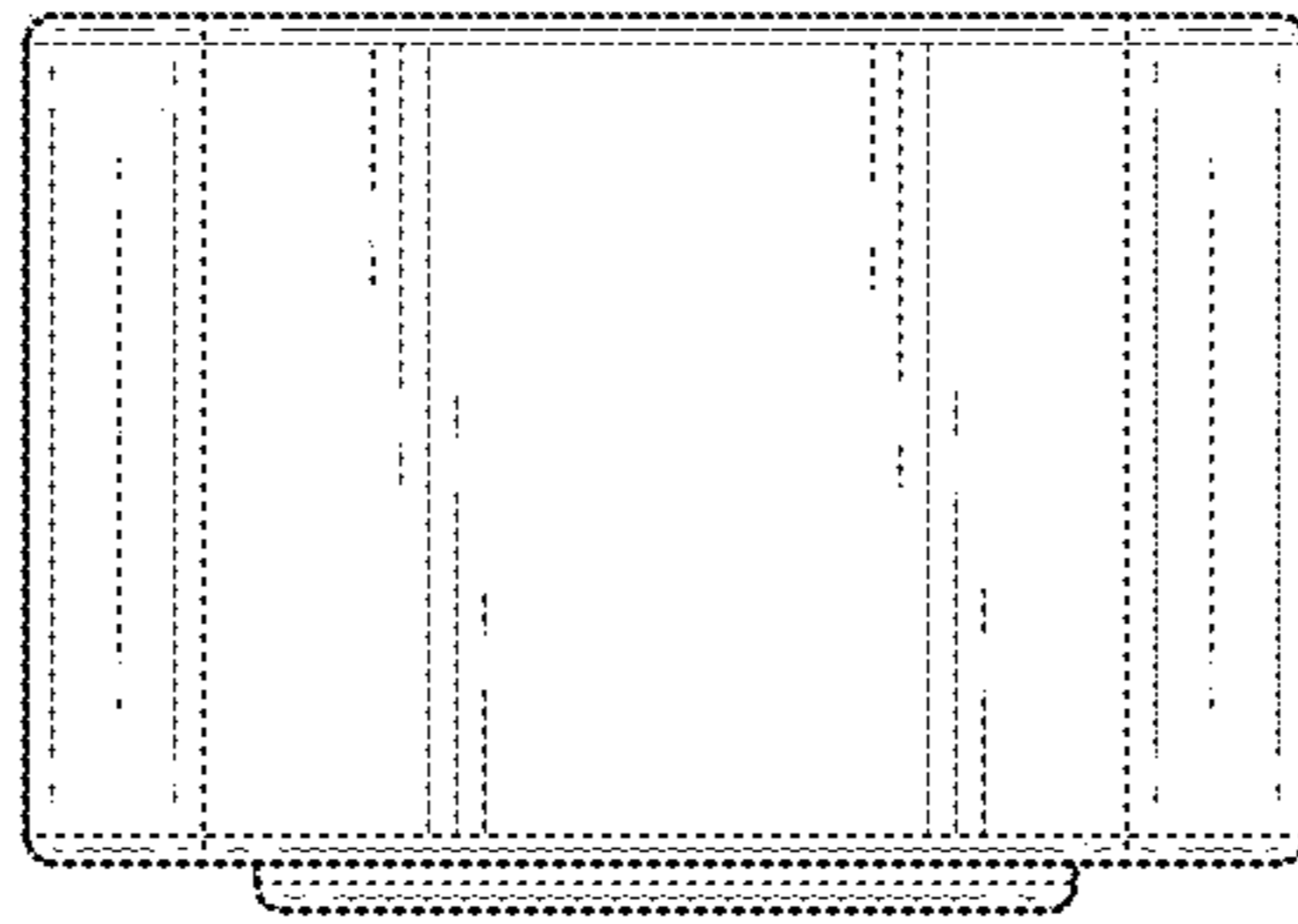


FIG. 7

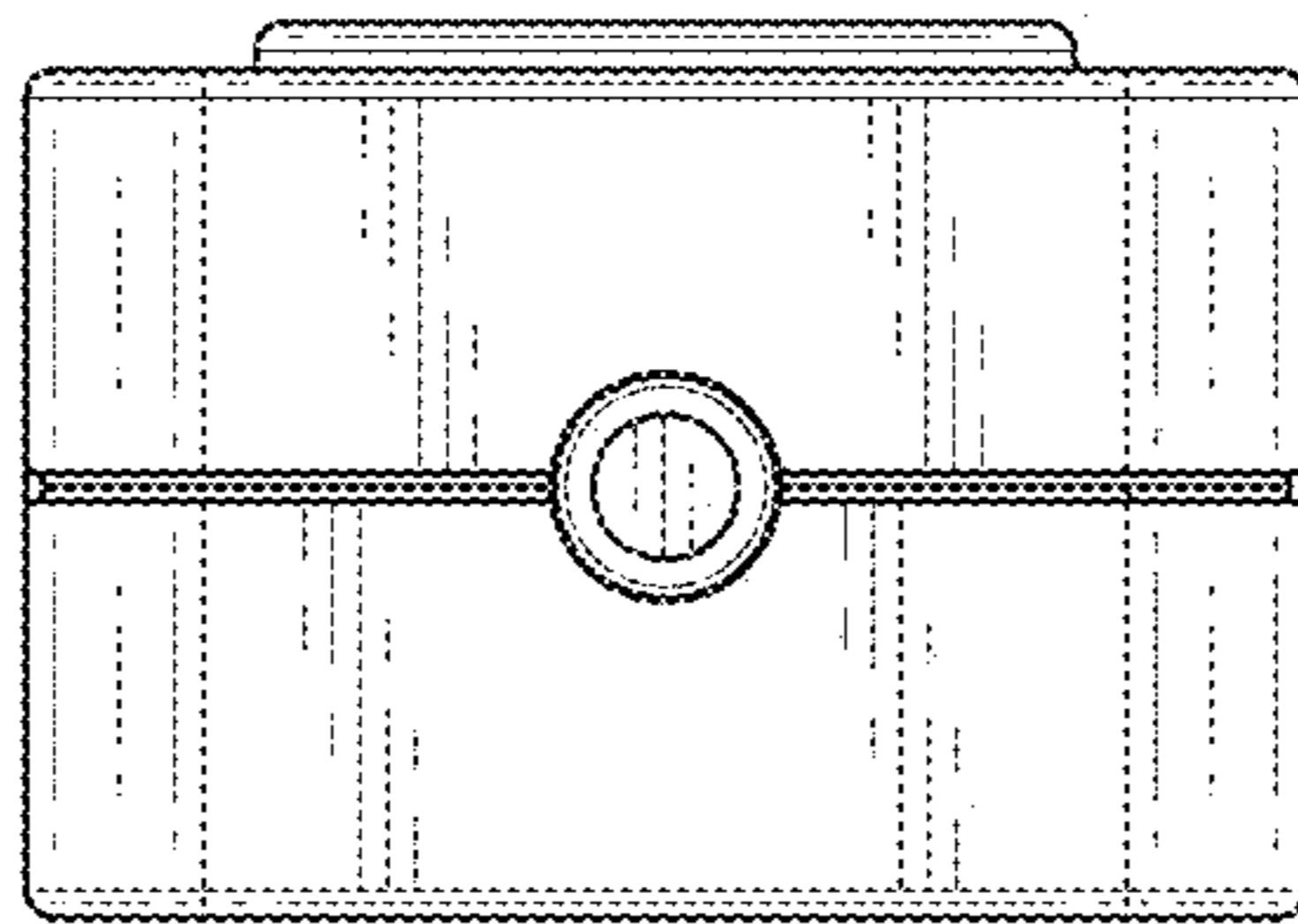


FIG. 8