



US00D938921S

(12) **United States Design Patent** (10) **Patent No.:** **US D938,921 S**  
**Birgers et al.** (45) **Date of Patent:** **\*\* Dec. 21, 2021**

- (54) **HANKED CABLE**
- (71) Applicant: **Apple Inc.**, Cupertino, CA (US)
- (72) Inventors: **Christopher J. Birgers**, Cupertino, CA (US); **Michael Joseph Solomon**, Foster City, CA (US); **Charles Werley**, San Jose, CA (US)
- (73) Assignee: **Apple Inc.**, Cupertino, CA (US)
- (\*\*) Term: **15 Years**
- (21) Appl. No.: **29/739,024**
- (22) Filed: **Jun. 22, 2020**

5,311,990	A *	5/1994	Kalinski	.....	B65D 25/04 206/370
D464,875	S *	10/2002	Koppang	.....	D9/711
D509,147	S *	9/2005	Selby	.....	D9/715
D694,243	S *	11/2013	Akana	.....	D14/433
D696,144	S *	12/2013	Akana	.....	D9/715
D704,072	S *	5/2014	Akana	.....	D9/721
D704,073	S *	5/2014	Akana	.....	D9/721
D706,643	S *	6/2014	Akana	.....	D9/721
D712,748	S *	9/2014	Akana	.....	D9/721
D713,738	S *	9/2014	Akana	.....	D9/721
D713,740	S *	9/2014	Akana	.....	D9/721
D736,618	S *	8/2015	Andre	.....	D9/432
D768,008	S *	10/2016	Akana	.....	D9/721
D800,549	S *	10/2017	Delle Cese	.....	D9/419
D802,414	S *	11/2017	Delle Cese	.....	D9/419
D806,537	S *	1/2018	Cernokus	.....	D9/432
10,005,573	B2 *	6/2018	Miros	.....	B65B 7/16
D876,242	S *	2/2020	Akana	.....	D9/737
D887,989	S *	6/2020	Birgers	.....	D13/153
D892,061	S *	8/2020	Birgers	.....	D13/153
D896,085	S *	9/2020	Fudetani	.....	D9/456

**Related U.S. Application Data**

- (63) Continuation of application No. 29/409,740, filed on Dec. 28, 2011, now Pat. No. Des. 887,989, and a continuation of application No. 29/408,999, filed on Dec. 19, 2011, now Pat. No. Des. 892,061.
- (51) **LOC (13) Cl.** ..... **13-03**
- (52) **U.S. Cl.**  
USPC ..... **D13/153**
- (58) **Field of Classification Search**  
USPC ..... D13/153; D9/414-418, 419, 431-433, D9/737, 721, 456, 715, 711  
CPC ..... A61B 50/30; B65D 85/04; B65D 5/5061; B65D 27/14; B65D 5/241; B65D 5/0254; B65D 75/02; B65B 7/16  
See application file for complete search history.

**References Cited**

**U.S. PATENT DOCUMENTS**

2,393,221	A	1/1946	Mercer et al.	
3,796,304	A *	3/1974	Blais	..... B65D 75/02 206/702
5,129,514	A	7/1992	Lilley, Jr.	

(Continued)

*Primary Examiner* — Rhea Shields

(74) *Attorney, Agent, or Firm* — Sterne, Kessler, Goldstein & Fox P.L.L.C.

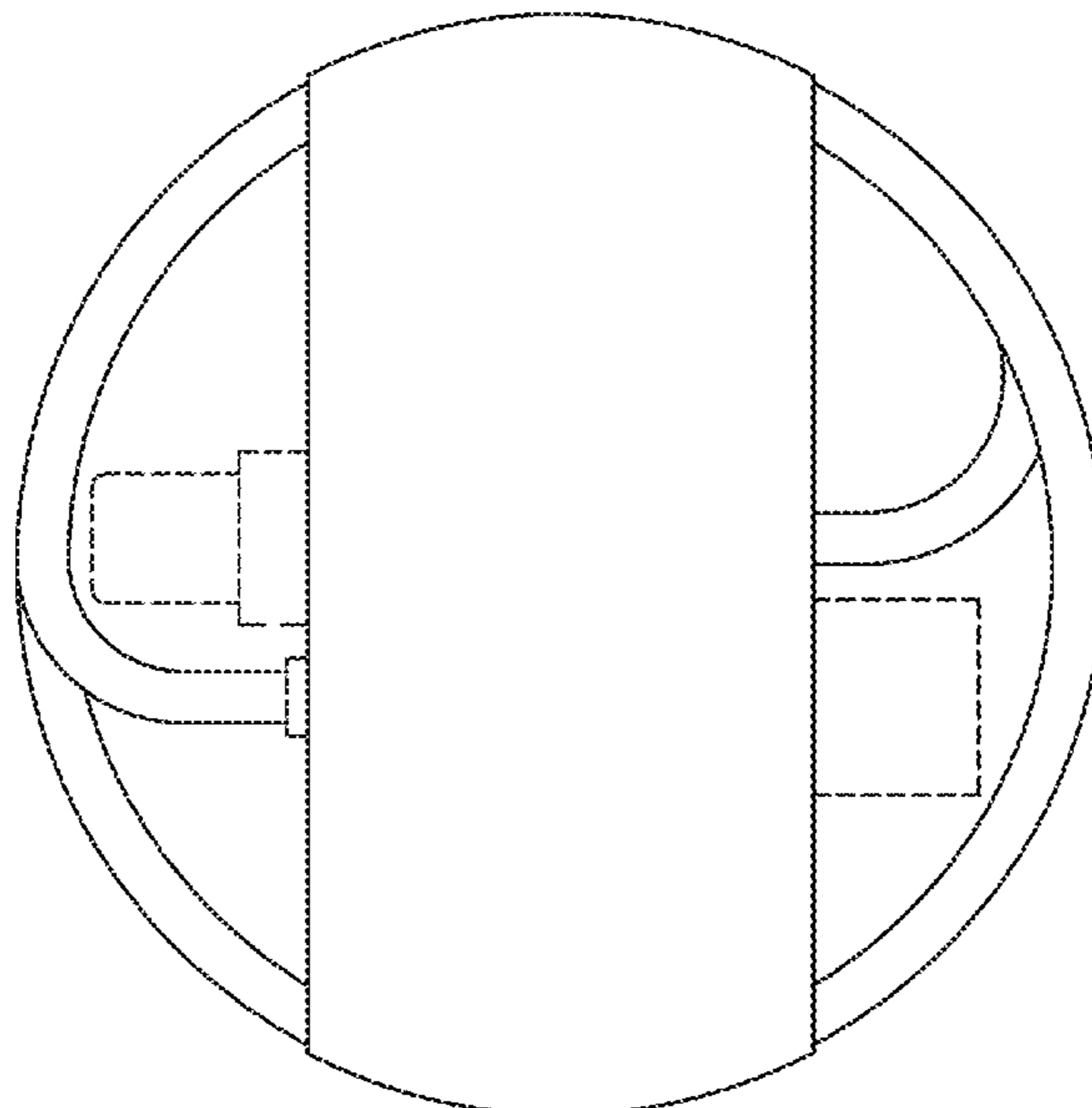
(57) **CLAIM**

The ornamental design for a hanked cable, as shown and described.

**DESCRIPTION**

FIG. 1 is a top view of a hanked cable showing the claimed design;  
 FIG. 2 is a bottom view thereof;  
 FIG. 3 is a front view thereof;  
 FIG. 4 is a rear view thereof;  
 FIG. 5 is a right side view thereof; and,  
 FIG. 6 is a left side view thereof.  
 The broken lines in the figures show portions of the hanked cable that form no part of the claimed design.

**1 Claim, 3 Drawing Sheets**



(56)

**References Cited**

U.S. PATENT DOCUMENTS

D902,032 S \* 11/2020 Cernokus ..... D9/433  
D906,838 S \* 1/2021 Burmeister ..... D9/721  
D914,517 S \* 3/2021 David ..... D9/737  
D917,303 S \* 4/2021 Akana ..... D9/721  
D921,492 S \* 6/2021 Uyeda ..... D9/715  
2003/0159969 A1 \* 8/2003 McMichael ..... A61B 50/30  
206/570  
2007/0051662 A1 \* 3/2007 Millar-Sax ..... B65D 5/0254  
206/702  
2008/0093430 A1 \* 4/2008 Wethington ..... B65D 5/241  
229/106  
2016/0264297 A1 \* 9/2016 Cernokus ..... B65D 5/5061  
2017/0355499 A1 \* 12/2017 Cheng ..... B65D 85/04  
2018/0273262 A1 \* 9/2018 McCarren ..... B65D 85/04

\* cited by examiner

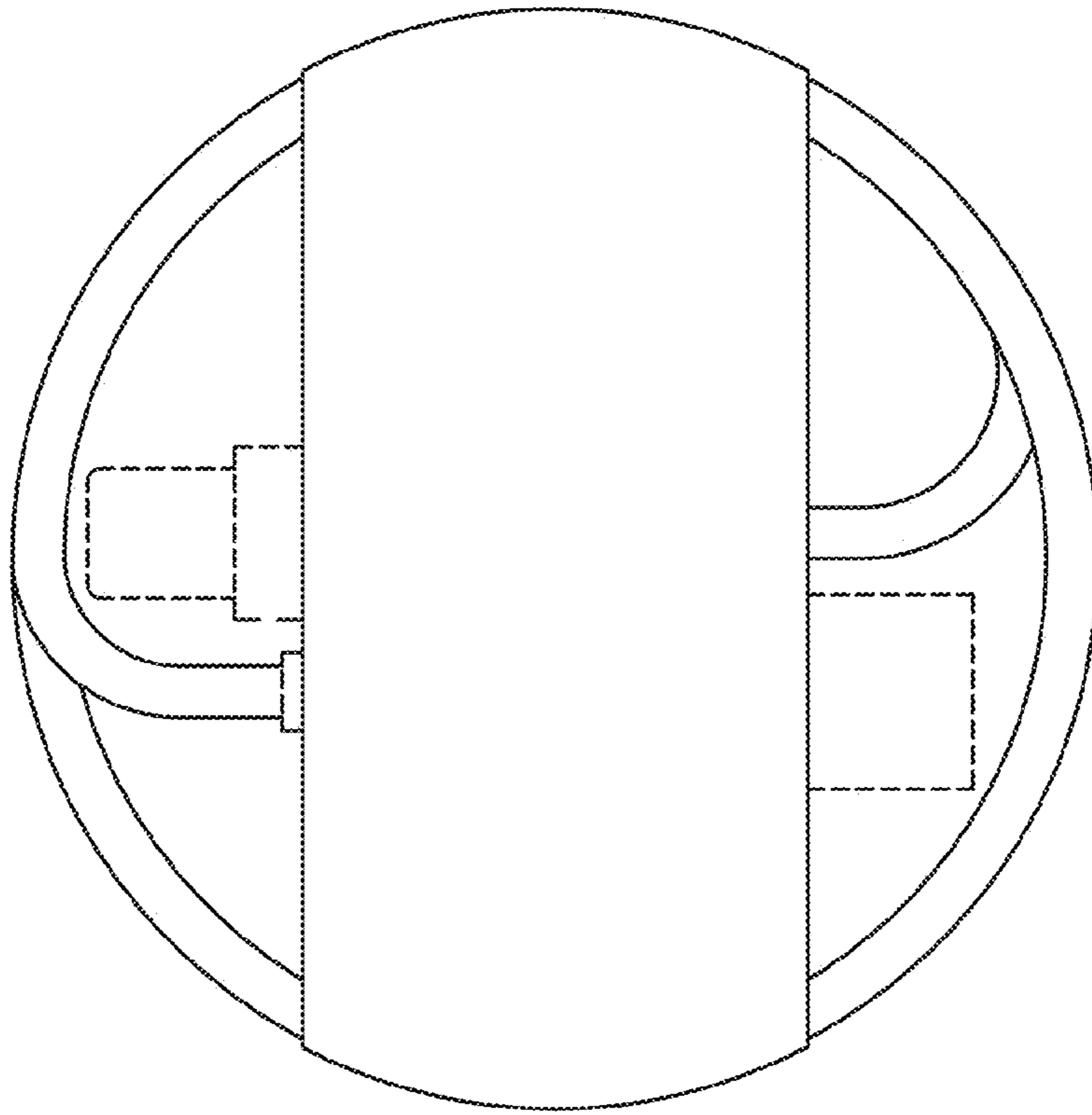


FIG. 1

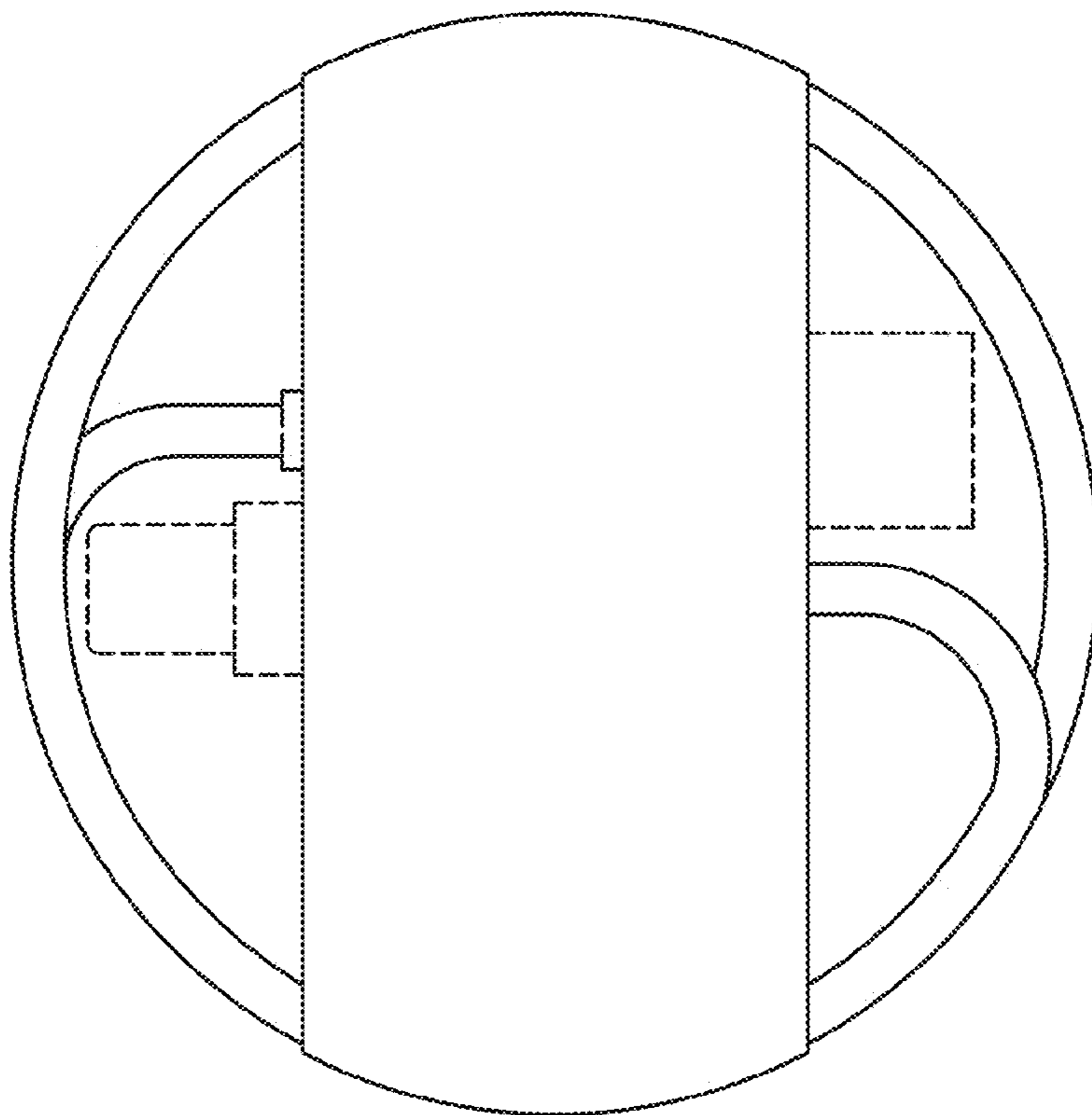


FIG. 2



FIG. 3



FIG. 4

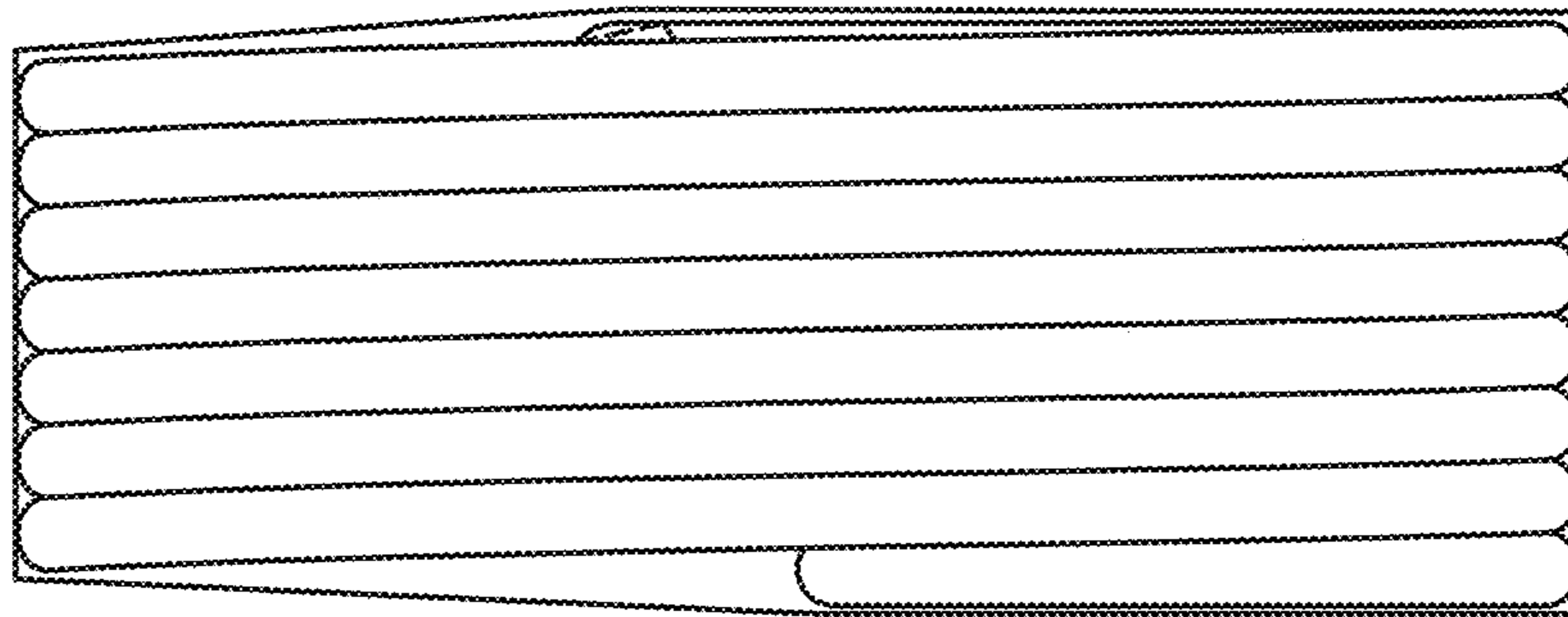


FIG. 5

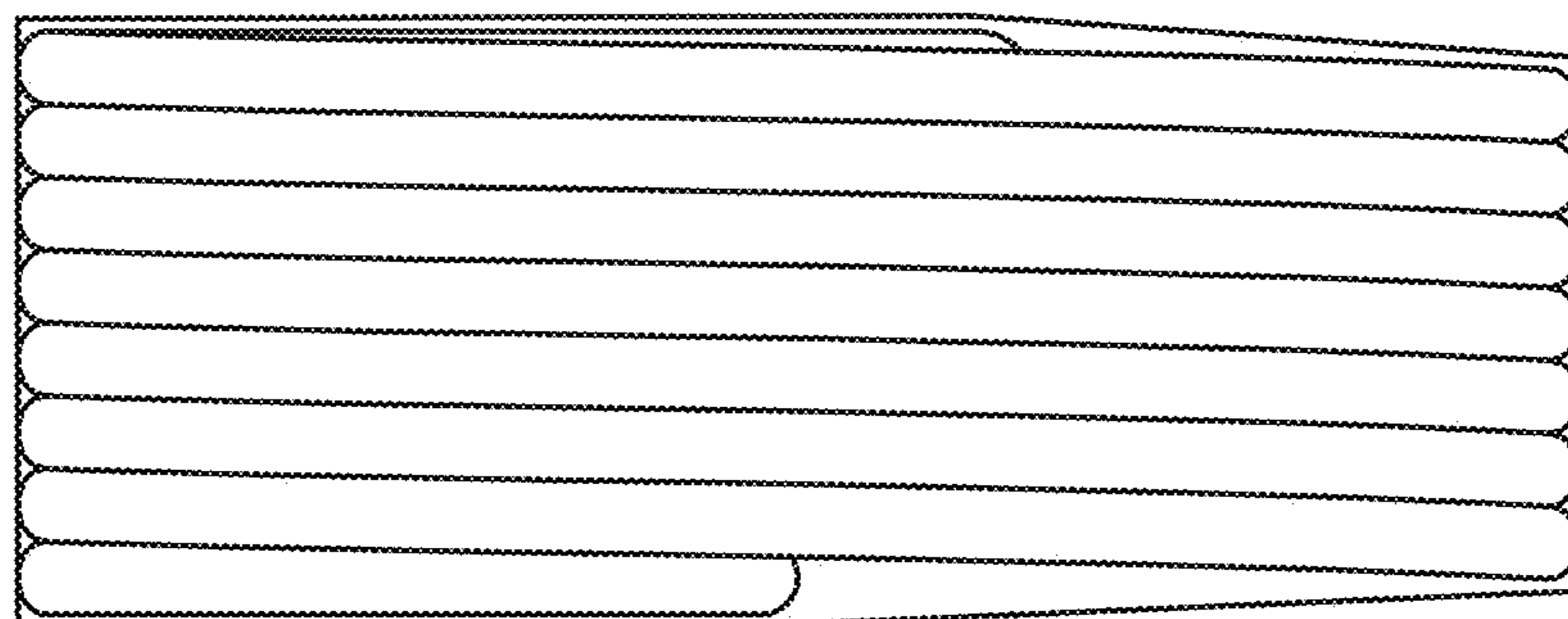


FIG. 6