



US00D938920S

(12) **United States Design Patent**
O’Hanlan

(10) **Patent No.:** **US D938,920 S**

(45) **Date of Patent:** **** Dec. 21, 2021**

(54) **POWER AND AUDIO ADAPTER BOX**

(71) Applicant: **BookerLab, LLC**, Liberty, SC (US)

(72) Inventor: **Thomas B. O’Hanlan**, Liberty, SC (US)

(73) Assignee: **BookerLab, LLC**, Liberty, SC (US)

(**) Term: **15 Years**

(21) Appl. No.: **29/720,674**

(22) Filed: **Jan. 15, 2020**

(51) **LOC (13) Cl.** **13-03**

(52) **U.S. Cl.**
USPC **D13/152**

(58) **Field of Classification Search**
USPC D13/110, 112, 123, 152, 154, 158–160,
D13/173, 184, 199; D14/204, 214, 221,
D14/224
CPC . F16M 11/00; F16M 13/02; F21S 8/02; F21S
8/04; H02G 3/06; H02G 3/08; H02G
3/12; H02G 3/18
See application file for complete search history.

(56) **References Cited**

U.S. PATENT DOCUMENTS

D336,302 S *	6/1993	Kwang	D14/140.4
D341,353 S *	11/1993	O	D13/152
D366,025 S *	1/1996	Siemon	D13/154
D397,085 S *	8/1998	Blase	D13/118
D457,140 S *	5/2002	Roesch	D13/152
D459,312 S *	6/2002	Roesch	D13/152
D461,455 S *	8/2002	Forbes	D13/152
D475,967 S *	6/2003	Tsergas	D13/122
D513,495 S *	1/2006	Hull	D13/152
D525,946 S *	8/2006	Chung	D13/152
D535,949 S *	1/2007	Kiely	D13/152
D563,896 S *	3/2008	Greenslate	D10/104.1
D700,893 S *	3/2014	Thomas	D13/152
D713,828 S *	9/2014	Stifal	D14/239

D723,472 S *	3/2015	Glisson, Jr.	D13/152
D735,170 S *	7/2015	Colvin	D14/224
D744,431 S *	12/2015	Hagarty	D13/152
D758,979 S *	6/2016	Moon	D13/184
D772,815 S *	11/2016	Chen	D13/118
D835,037 S *	12/2018	Reynolds	D13/110
2004/0123996 A1 *	7/2004	Lalancette	H02G 3/12 174/50
2008/0053698 A1 *	3/2008	Purves	H02G 3/16 174/520

(Continued)

FOREIGN PATENT DOCUMENTS

JP	2005081120 A *	3/2005
JP	2014113862 A *	6/2014

Primary Examiner — Shawn T Gingrich

(74) *Attorney, Agent, or Firm* — JK Intellectual Property Law, PA

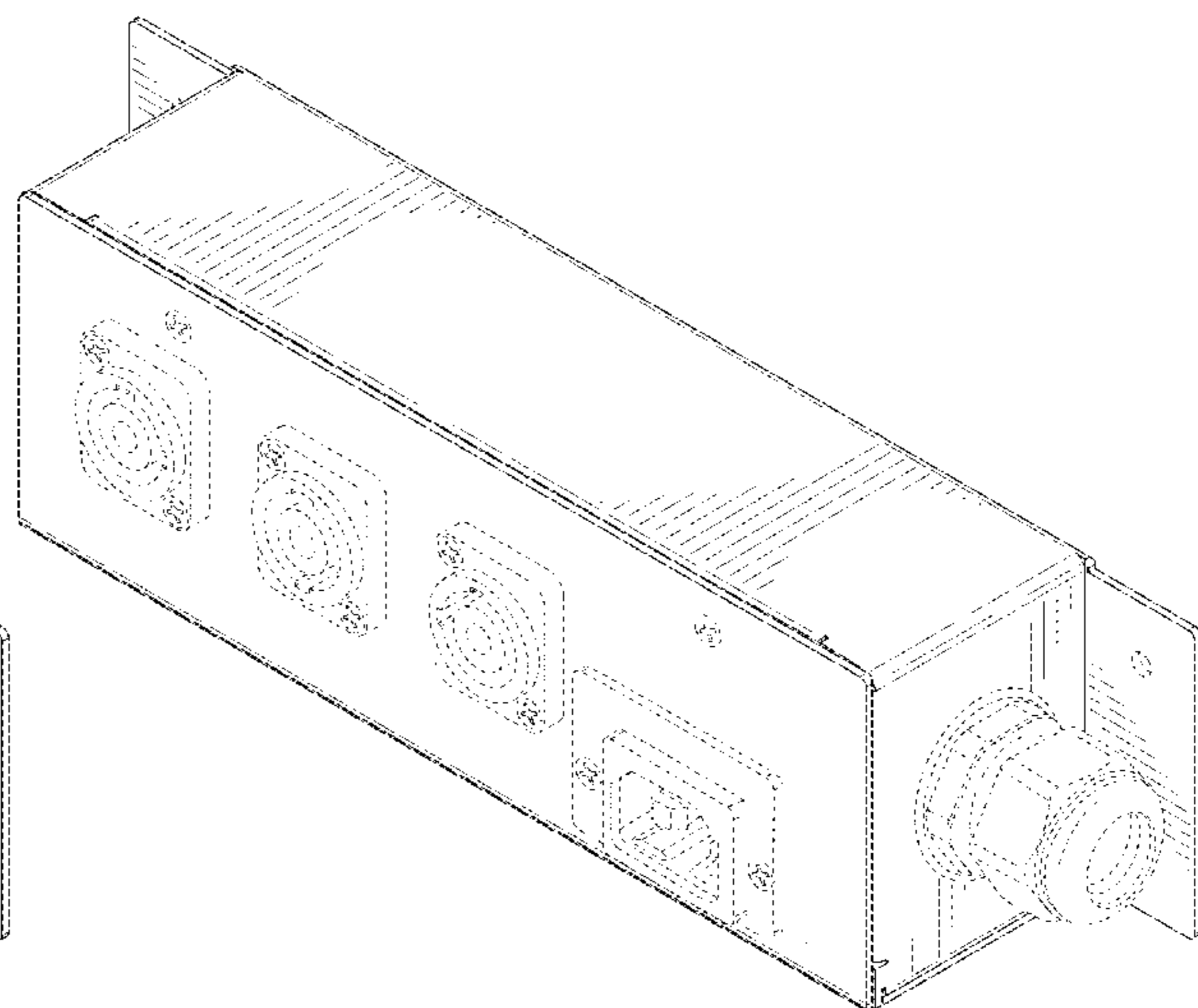
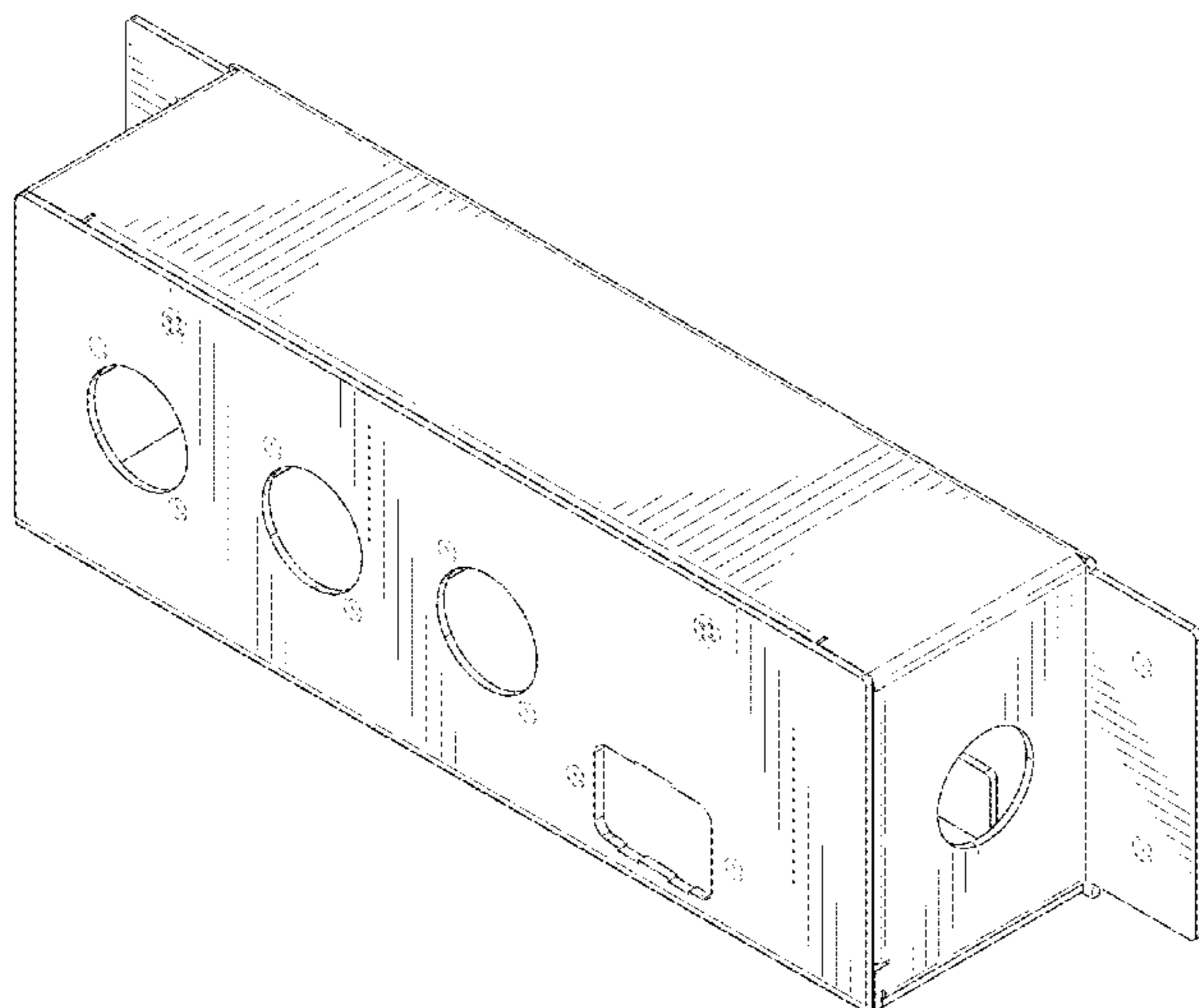
(57) **CLAIM**

The ornamental design for a power and audio adapter box, as shown and described.

DESCRIPTION

FIG. 1 is an isometric, upper front view of the power and audio adapter box according to the present design; FIG. 2 is a bottom view thereof; FIG. 3 is a rear view thereof; FIG. 4 is a top view thereof; FIG. 5 is a front view thereof; FIG. 6 is a right side view thereof; FIG. 7 is a left side view thereof; and, FIG. 8 is an isometric, upper front view thereof, showing locations of connector sockets to be attached to openings in the front surface and a gland on a side surface of the box. Broken lines in FIGS. 1-8 indicate the bounds of the claimed design and unclaimed subject matter. Elements shown in broken lines form no part of the claimed design.

1 Claim, 7 Drawing Sheets



(56)

References Cited

U.S. PATENT DOCUMENTS

2013/0153256 A1* 6/2013 Laughlin H02G 3/18
174/50
2017/0268758 A1* 9/2017 Buck H05K 5/03
2018/0275363 A1* 9/2018 Wang H02G 3/0493
2019/0109445 A1* 4/2019 Leese H02G 3/085

* cited by examiner

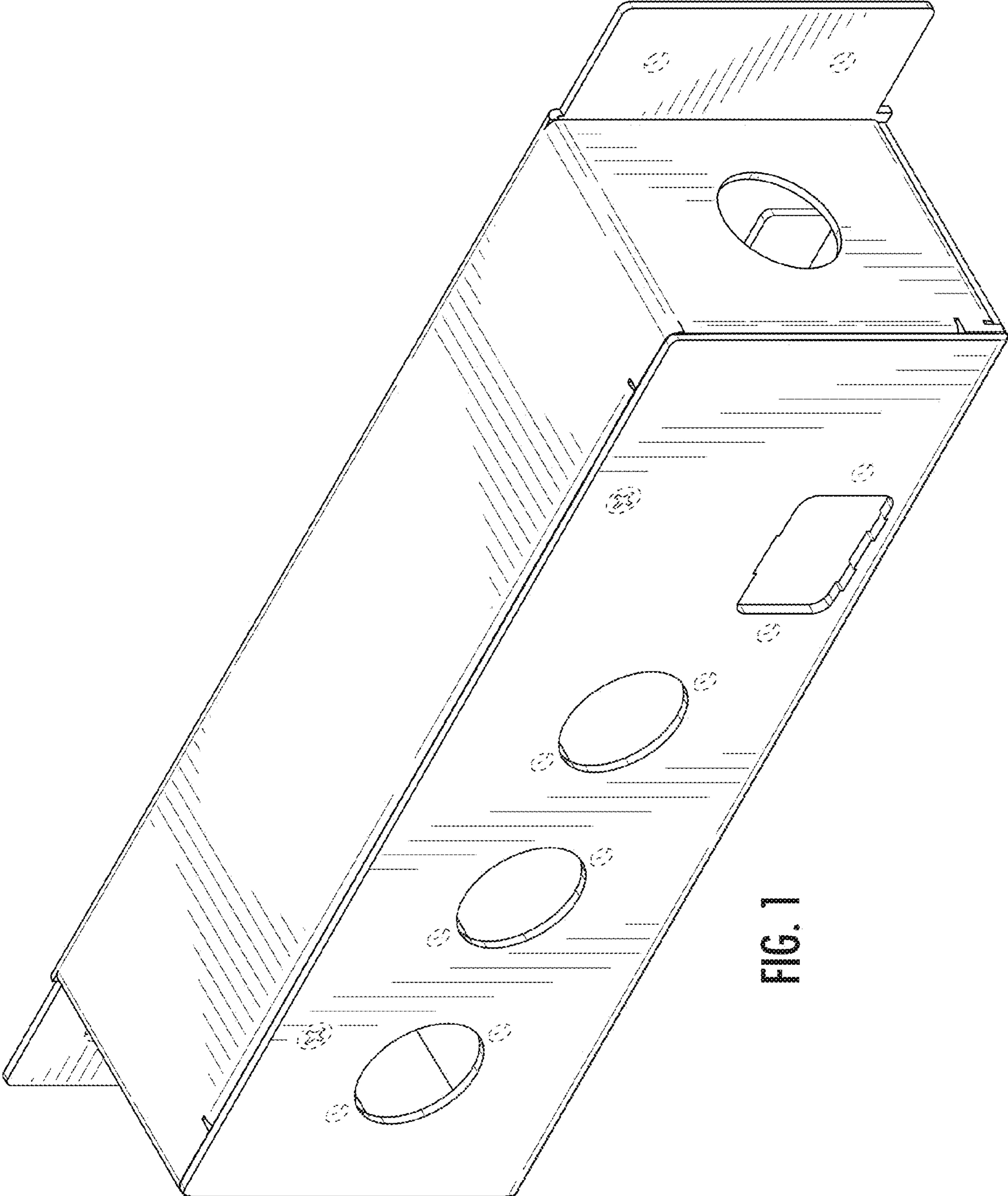


FIG. 1

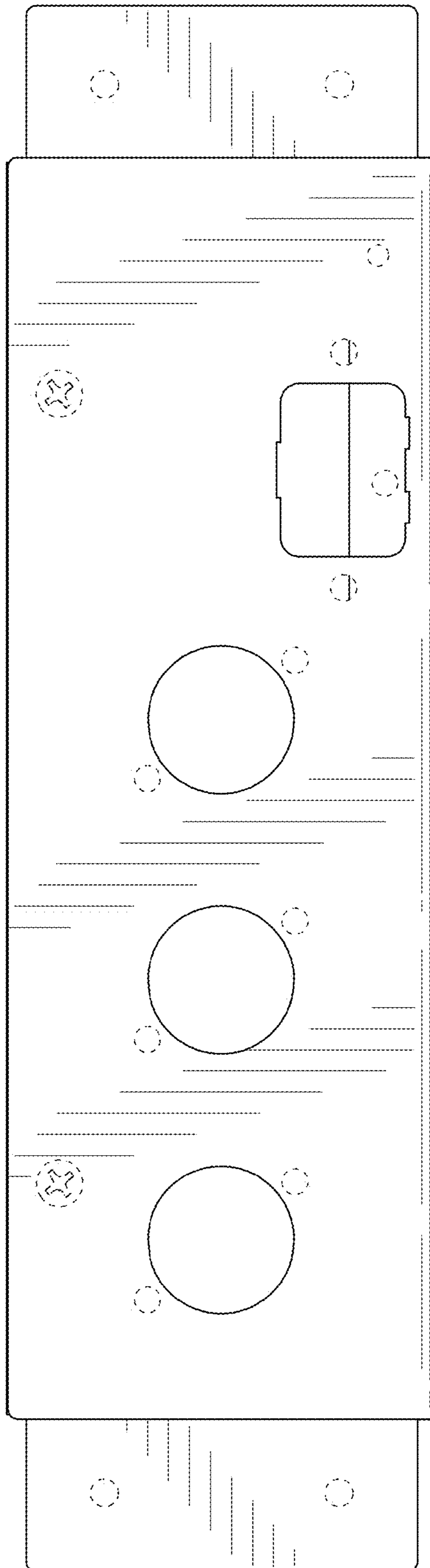


FIG. 2

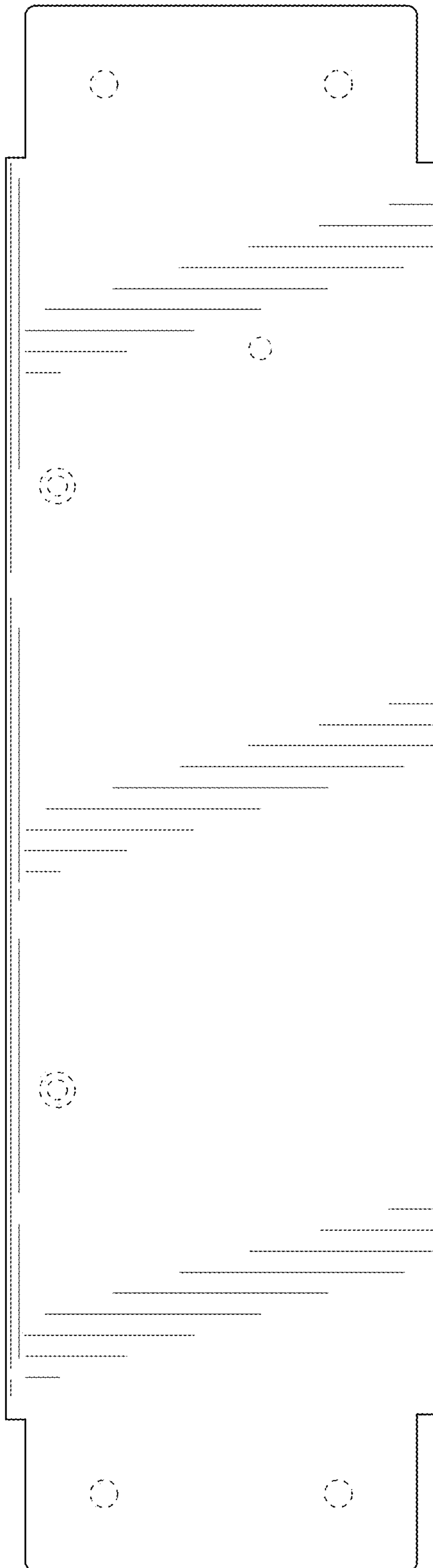


FIG. 3

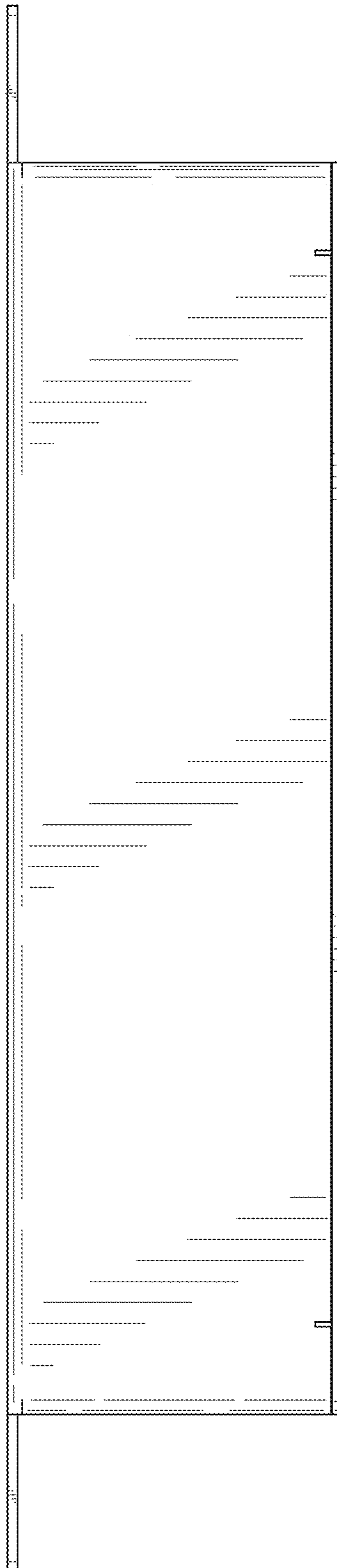


FIG. 4

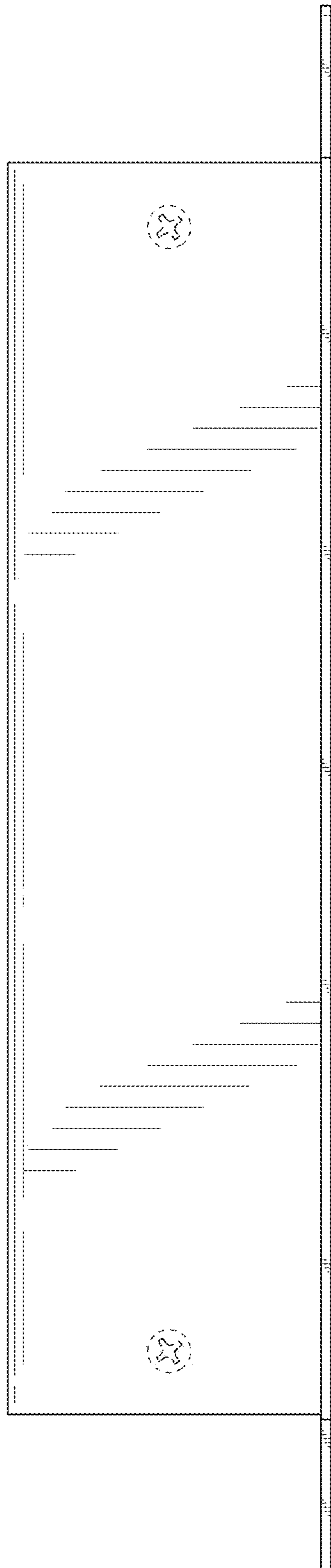


FIG. 5

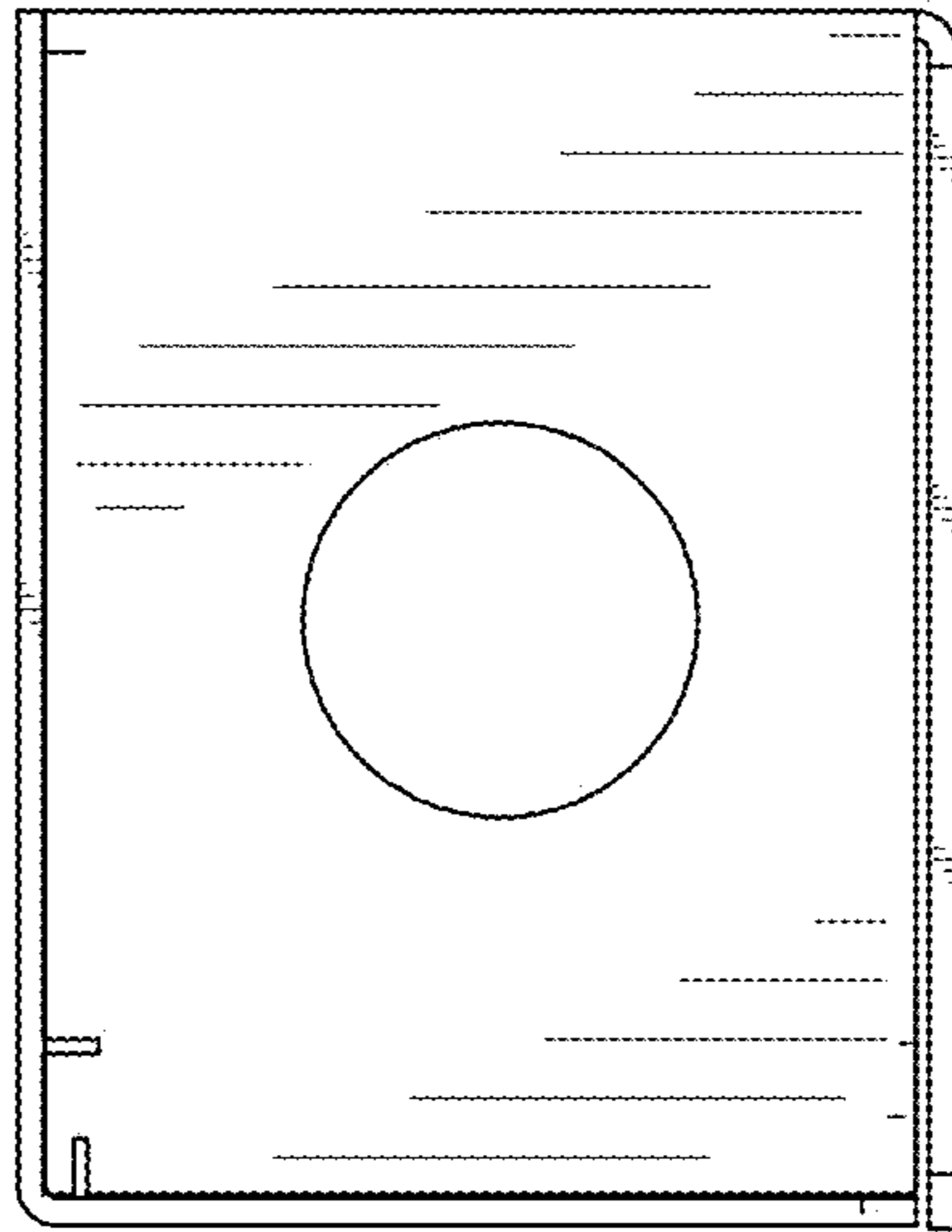


FIG. 6

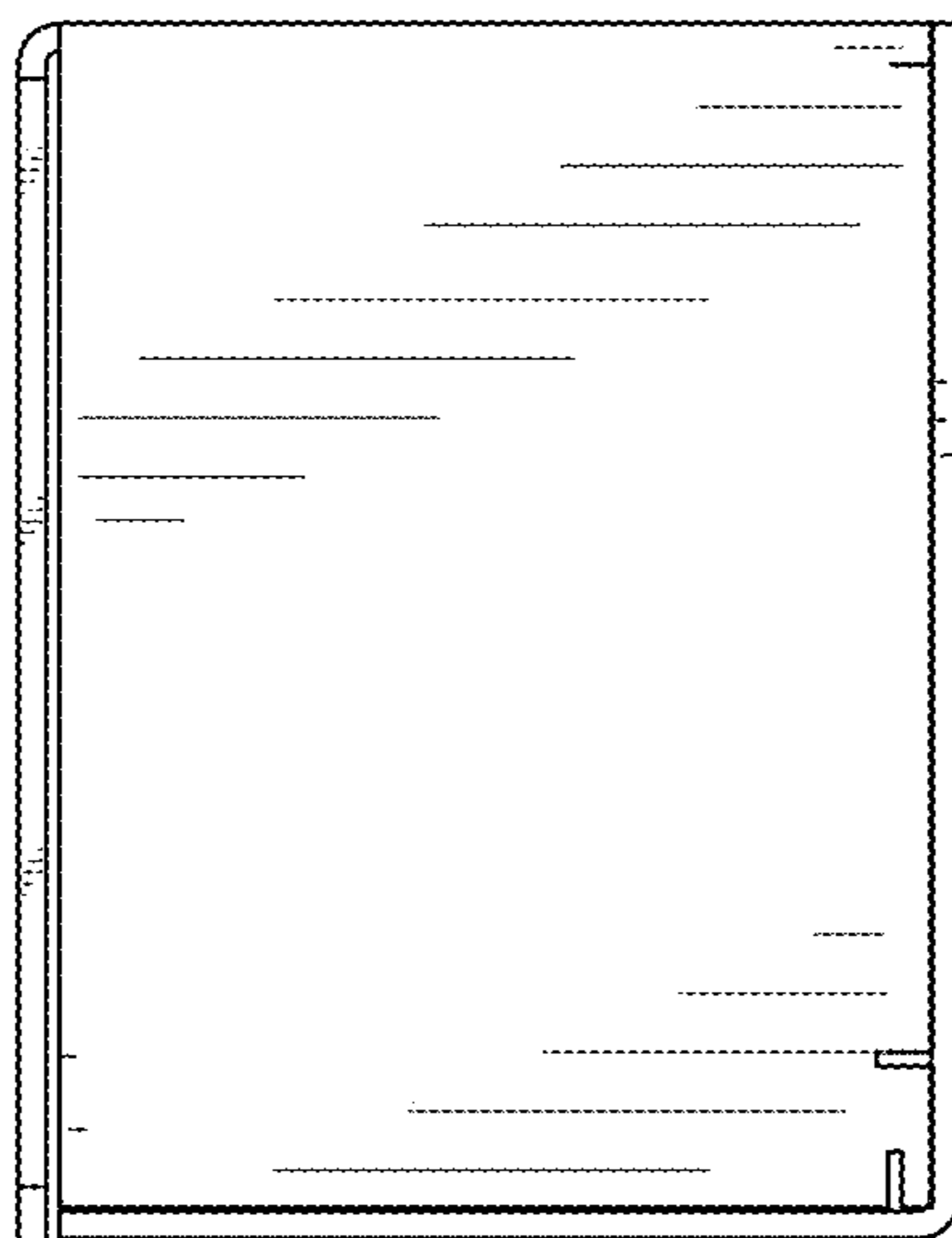


FIG. 7

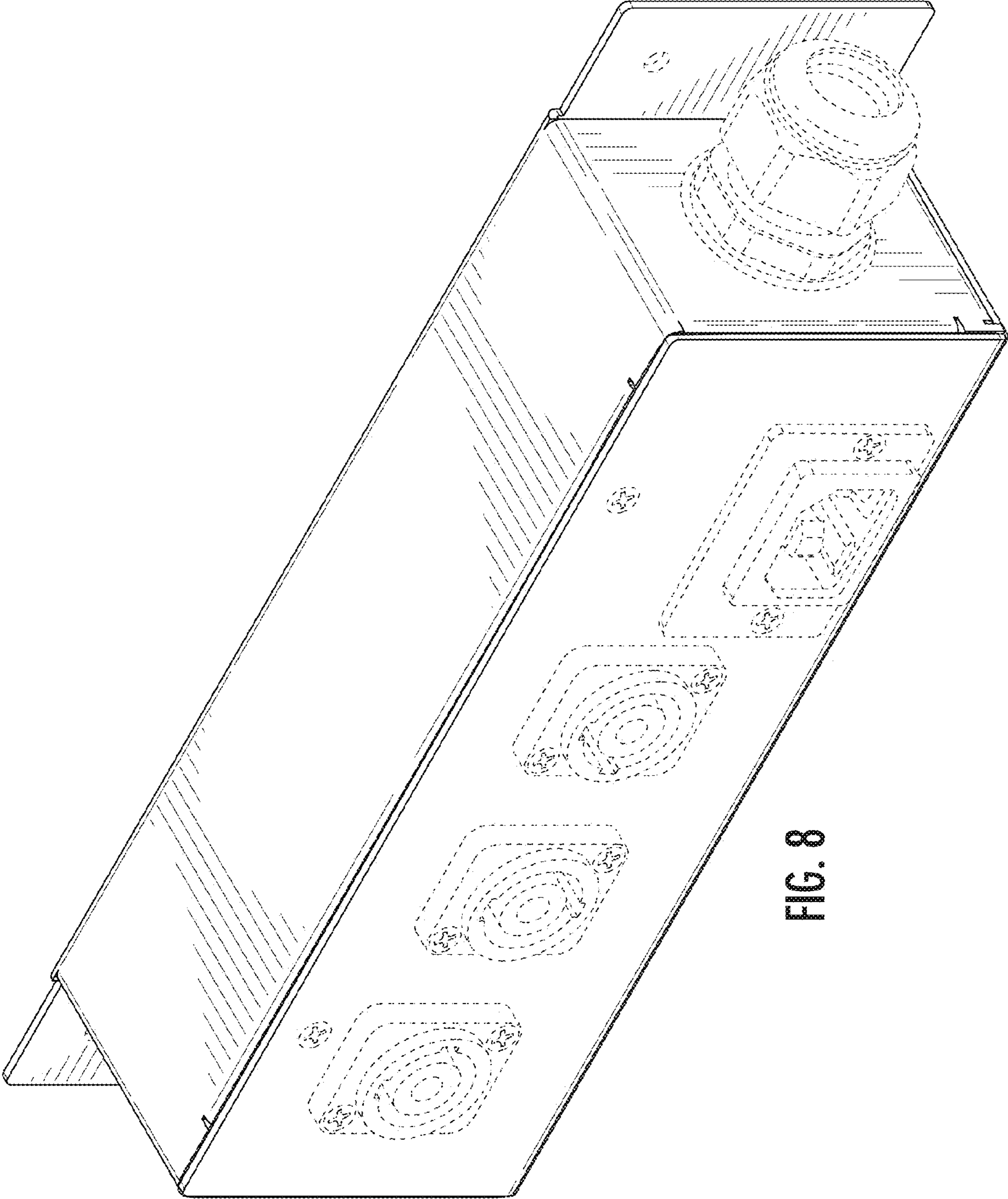


FIG. 8

UNITED STATES PATENT AND TRADEMARK OFFICE
CERTIFICATE OF CORRECTION

PATENT NO. : D938,920 S
APPLICATION NO. : 29/720674
DATED : December 21, 2021
INVENTOR(S) : Thomas B. O'Hanlan

Page 1 of 10


It is certified that error appears in the above-identified patent and that said Letters Patent is hereby corrected as shown below:

On the Title Page

Please replace Title Page with attached Title Page

In the Drawings

Please replace Drawing Sheets 1-7 with attached Drawing Sheets 1-7

Signed and Sealed this
Fourteenth Day of June, 2022

Katherine Kelly Vidal
Director of the United States Patent and Trademark Office

(12) **United States Design Patent** (10) **Patent No.:** **US D938,920 S**
O’Hanlan (45) **Date of Patent:** **** Dec. 21, 2021**

(54) **POWER AND AUDIO ADAPTER BOX**
 (71) Applicant: **BookerLab, LLC**, Liberty, SC (US)
 (72) Inventor: **Thomas B. O’Hanlan**, Liberty, SC (US)
 (73) Assignee: **BookerLab, LLC**, Liberty, SC (US)
 (**) Term: **15 Years**
 (21) Appl. No.: **29/720,674**
 (22) Filed: **Jan. 15, 2020**
 (51) **LOC (13) Cl.** **13-03**
 (52) **U.S. Cl.**
 USPC **D13/152**
 (58) **Field of Classification Search**
 USPC D13/110, 112, 123, 152, 154, 158–160,
 D13/173, 184, 199; D14/204, 214, 221,
 D14/224
 CPC . F16M 11/00; F16M 13/02; F21S 8/02; F21S
 8/04; H02G 3/06; H02G 3/08; H02G
 3/12; H02G 3/18
 See application file for complete search history.

(56) **References Cited**
 U.S. PATENT DOCUMENTS
 D336,302 S * 6/1993 Kwang D14/140.4
 D341,353 S * 11/1993 O D13/152
 D366,025 S * 1/1996 Siemon D13/154
 D397,085 S * 8/1998 Blase D13/118
 D457,140 S * 5/2002 Roesch D13/152
 D459,312 S * 6/2002 Roesch D13/152
 D461,455 S * 8/2002 Forbes D13/152
 D475,967 S * 6/2003 Tsergas D13/122
 D513,495 S * 1/2006 Hull D13/152
 D525,946 S * 8/2006 Chung D13/152
 D535,949 S * 1/2007 Kiely D13/152
 D563,896 S * 3/2008 Greenslate D10/104.1
 D700,893 S * 3/2014 Thomas D13/152
 D713,828 S * 9/2014 Stifal D14/239

D723,472 S * 3/2015 Glisson, Jr. D13/152
 D735,170 S * 7/2015 Colvin D14/224
 D744,431 S * 12/2015 Hagarty D13/152
 D758,979 S * 6/2016 Moon D13/184
 D772,815 S * 11/2016 Chen D13/118
 D835,037 S * 12/2018 Reynolds D13/110
 2004/0123996 A1* 7/2004 Lalancette H02G 3/12
 174/50
 2008/0053698 A1* 3/2008 Purves H02G 3/16
 174/520

(Continued)

FOREIGN PATENT DOCUMENTS

JP 2005081120 A * 3/2005
 JP 2014113862 A * 6/2014

Primary Examiner — Shawn T Gingrich
 (74) Attorney, Agent, or Firm — JK Intellectual Property Law, PA

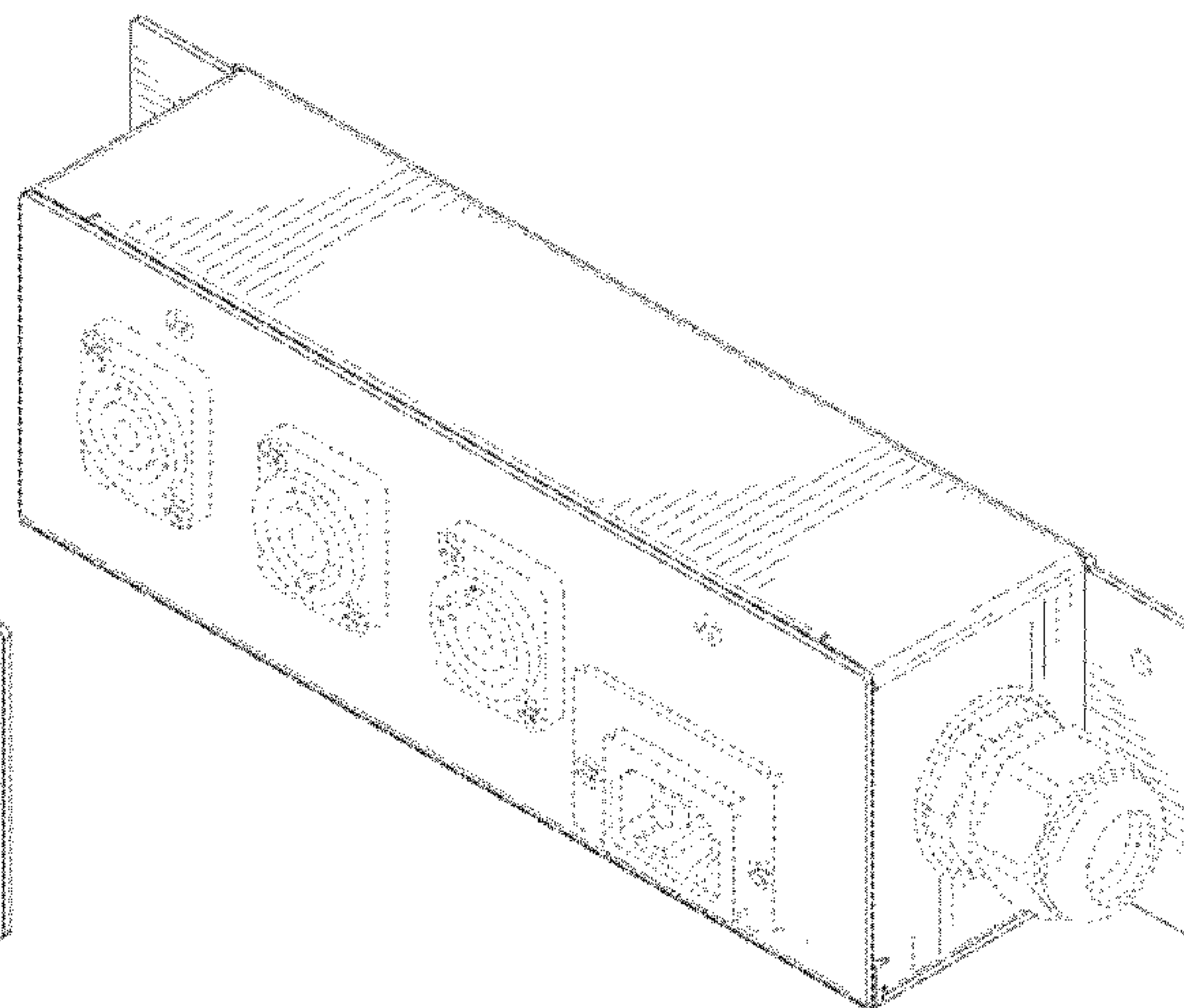
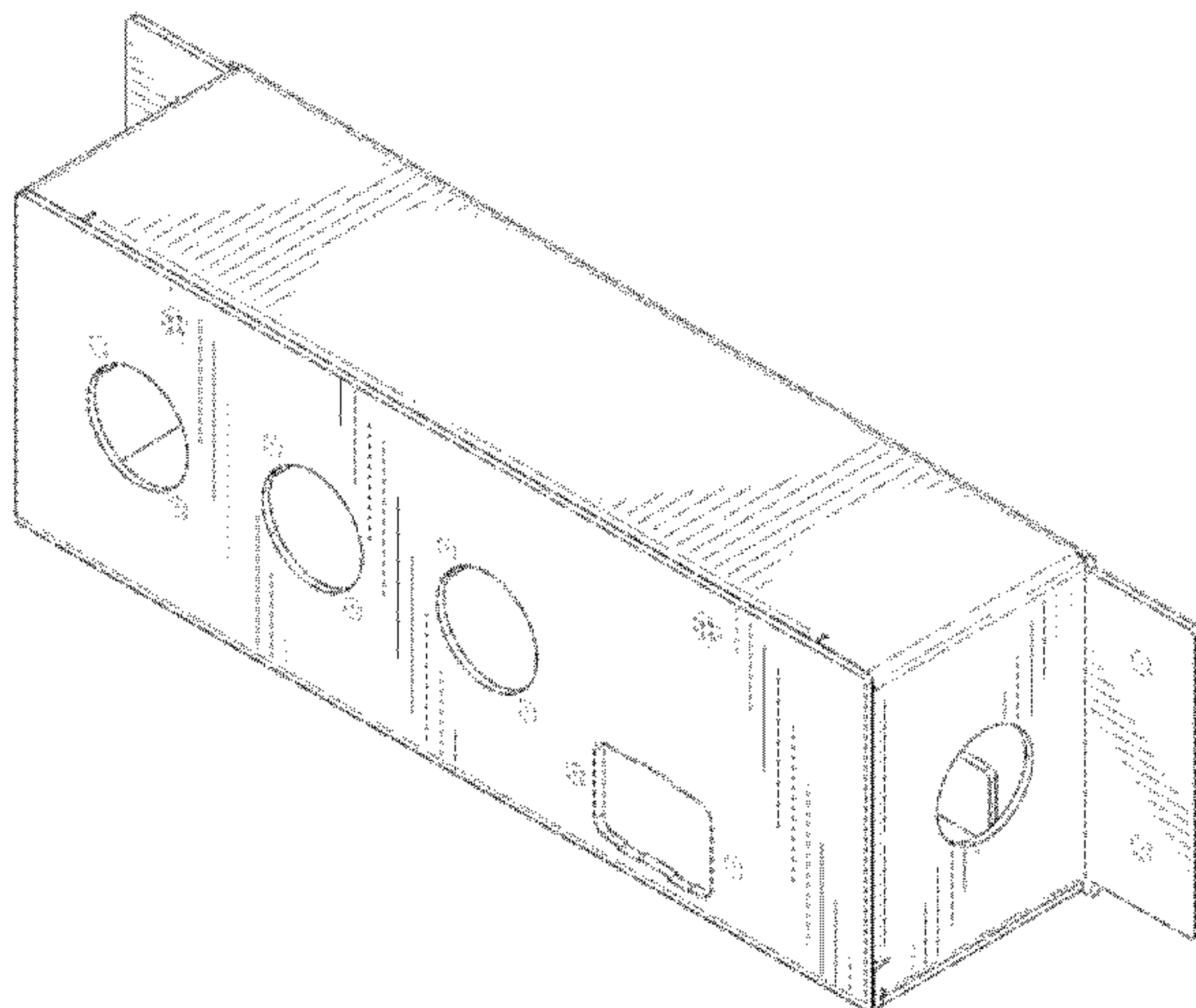
(57) **CLAIM**

The ornamental design for a power and audio adapter box, as shown and described.

DESCRIPTION

FIG. 1 is an isometric, upper front view of the power and audio adapter box according to the present design;
 FIG. 2 is a bottom view thereof;
 FIG. 3 is a rear view thereof;
 FIG. 4 is a top view thereof;
 FIG. 5 is a front view thereof;
 FIG. 6 is a right side view thereof;
 FIG. 7 is a left side view thereof; and,
 FIG. 8 is an isometric, upper front view thereof, showing locations of connector sockets to be attached to openings in the front surface and a gland on a side surface of the box. Broken lines in FIGS. 1-8 indicate the bounds of the claimed design and unclaimed subject matter. Elements shown in broken lines form no part of the claimed design.

1 Claim, 7 Drawing Sheets



US D938,920 S

Page 2

(56) **References Cited**

U.S. PATENT DOCUMENTS

2013/0153256 A1* 6/2013 Laughlin H02G 3/18
174/50
2017/0268758 A1* 9/2017 Buck H05K 5/03
2018/0275363 A1* 9/2018 Wang H02G 3/0493
2019/0109445 A1* 4/2019 Leese H02G 3/085

* cited by examiner

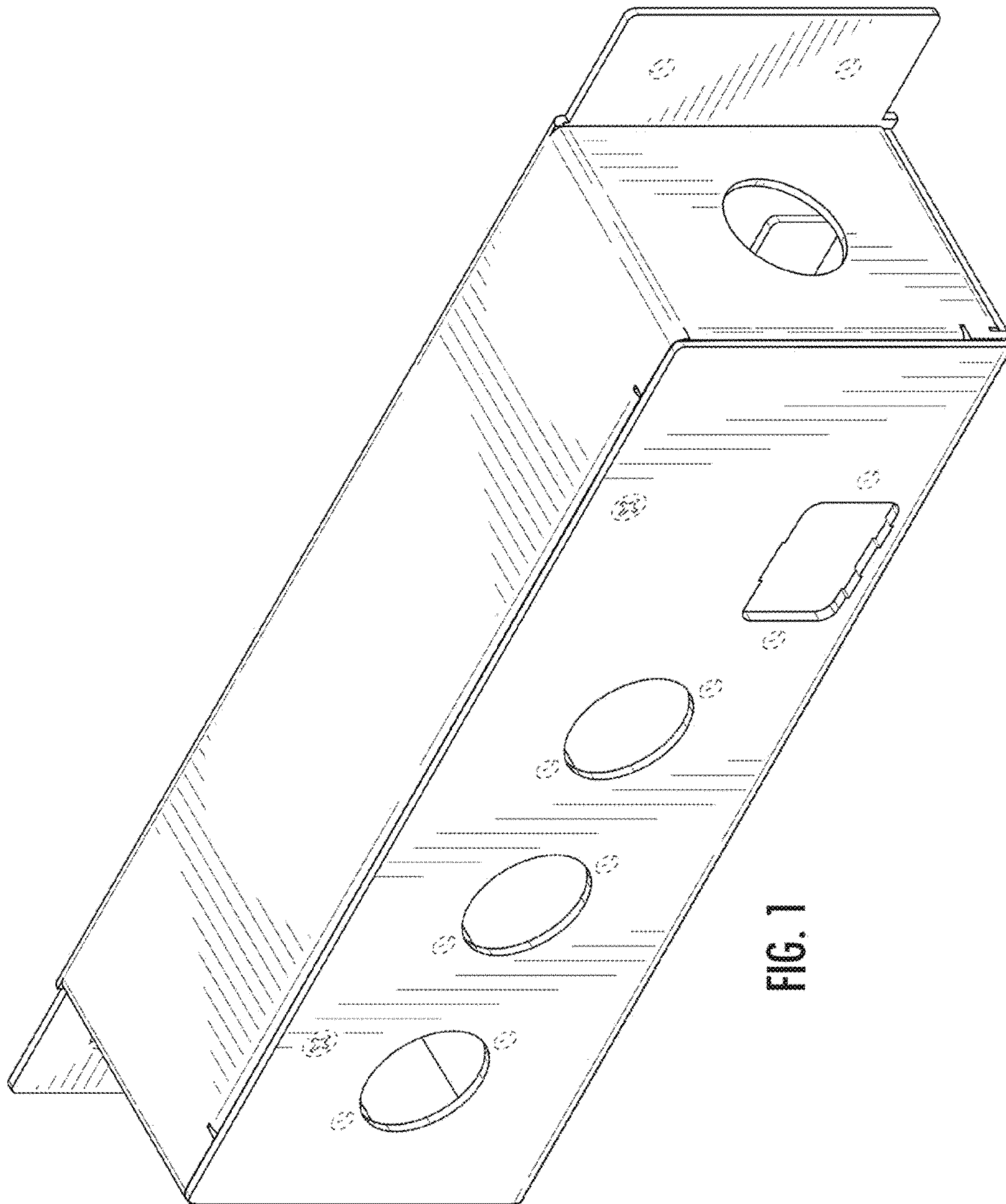


FIG. 1

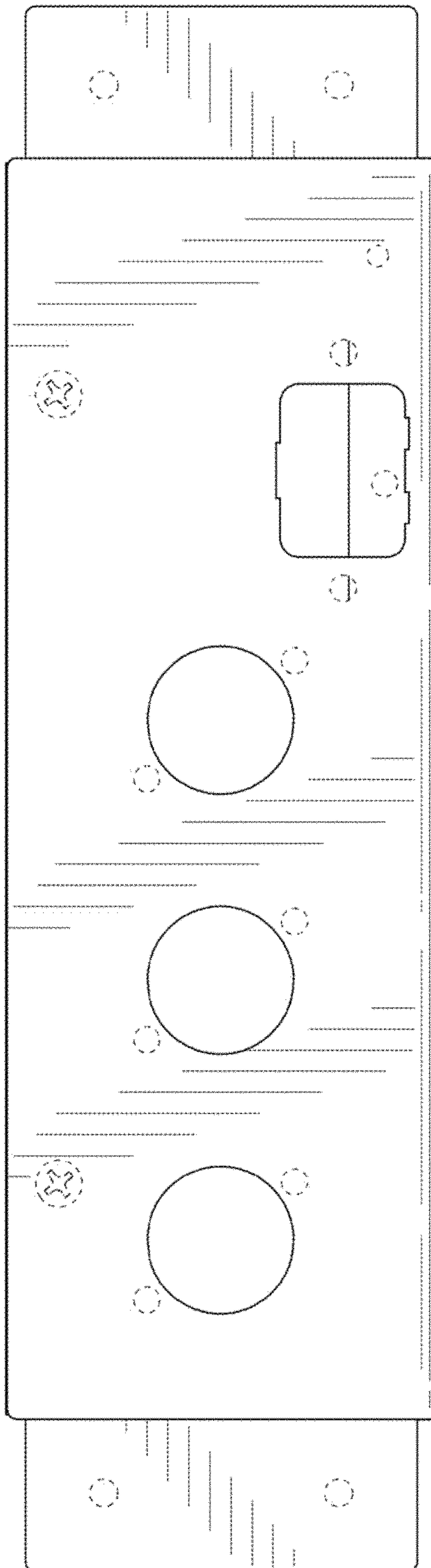


FIG. 2

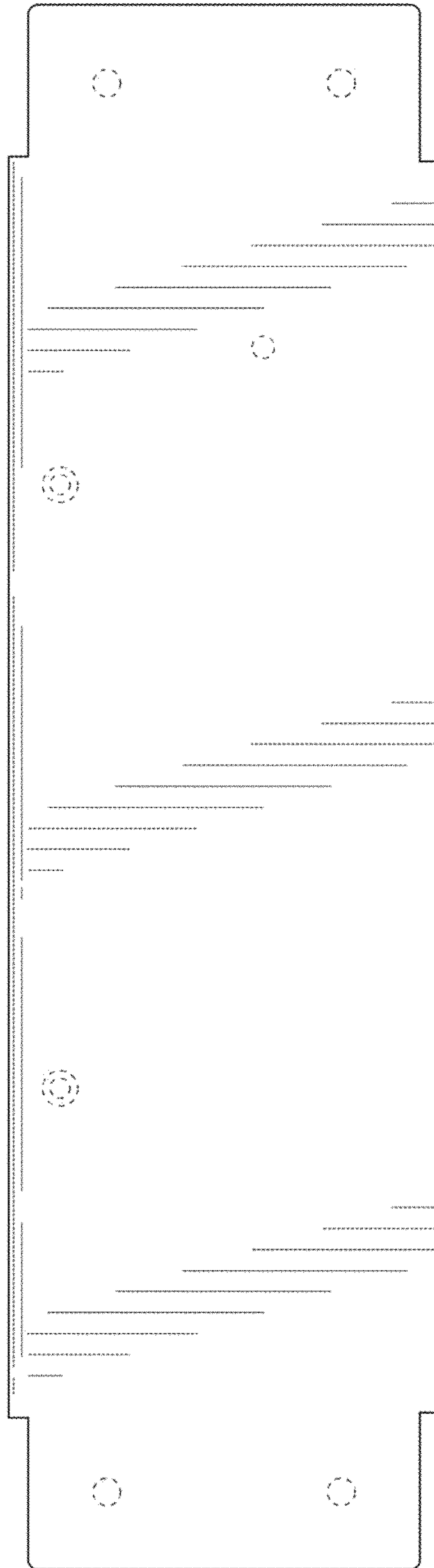


FIG. 3

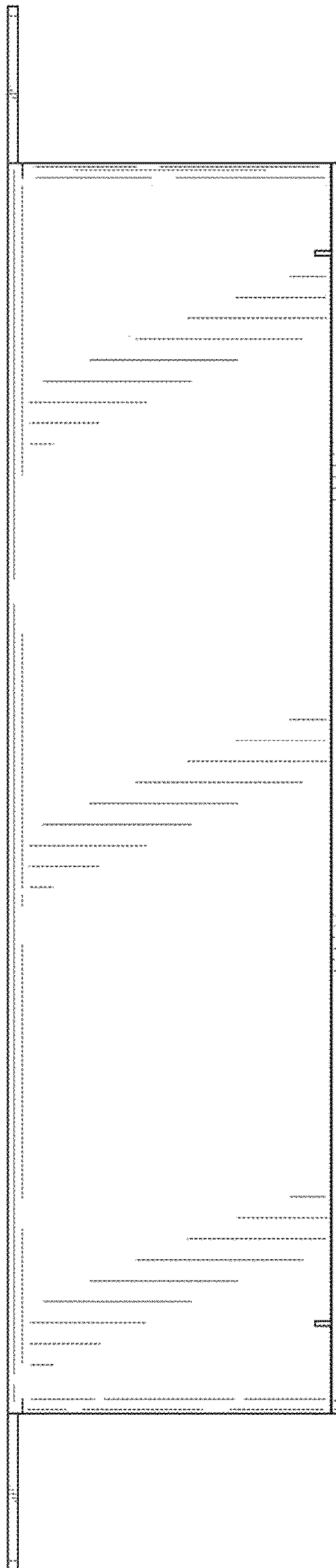


FIG. 4

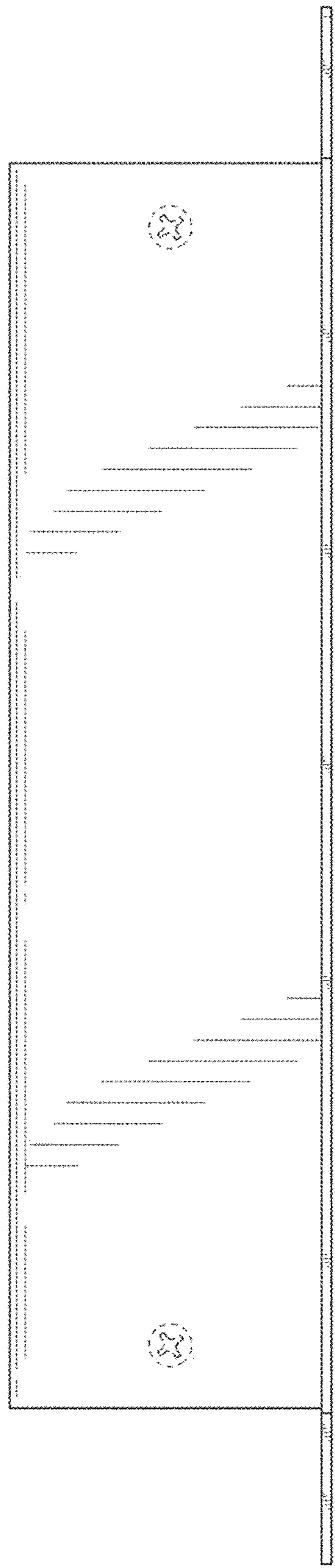


FIG. 5

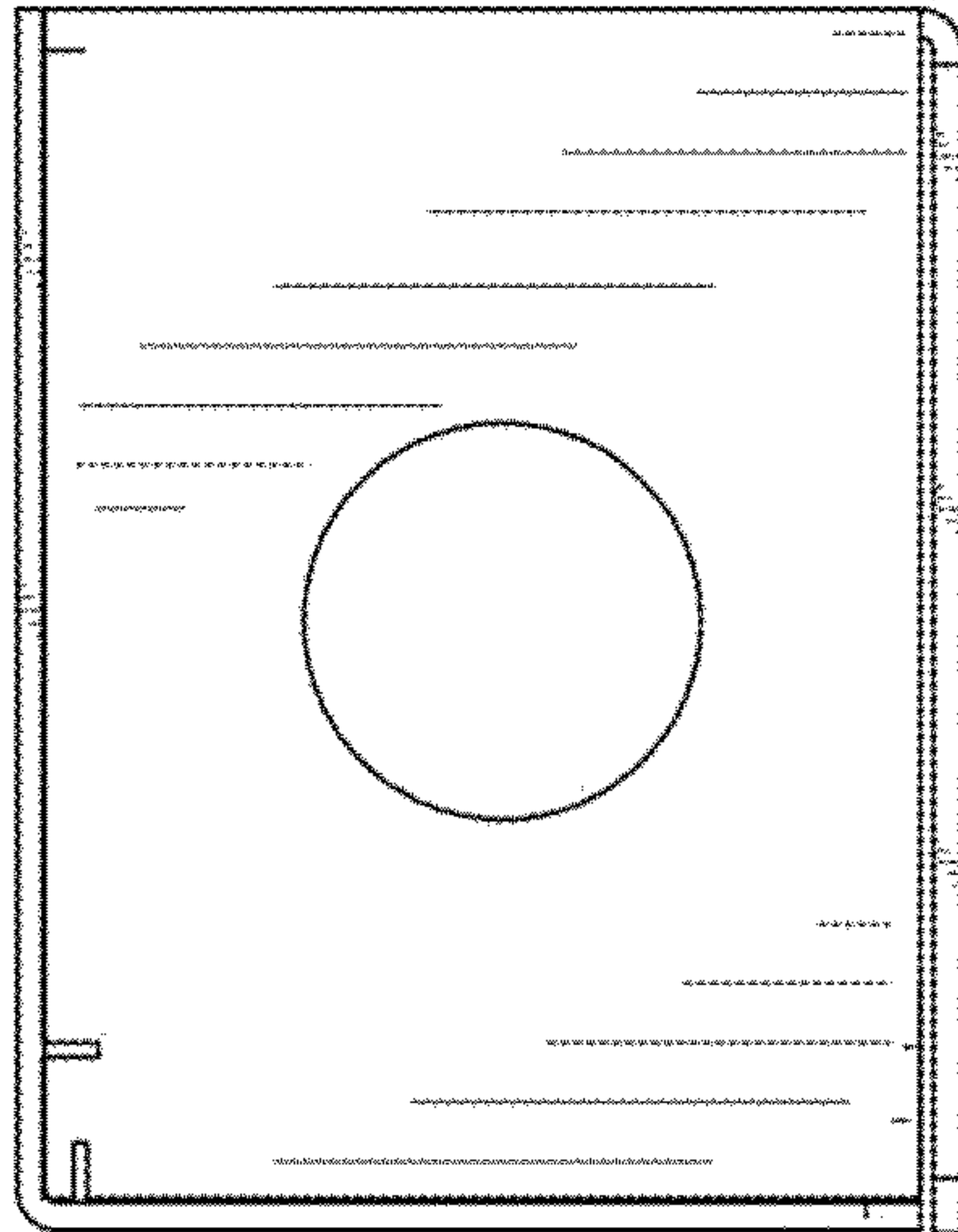


FIG. 6

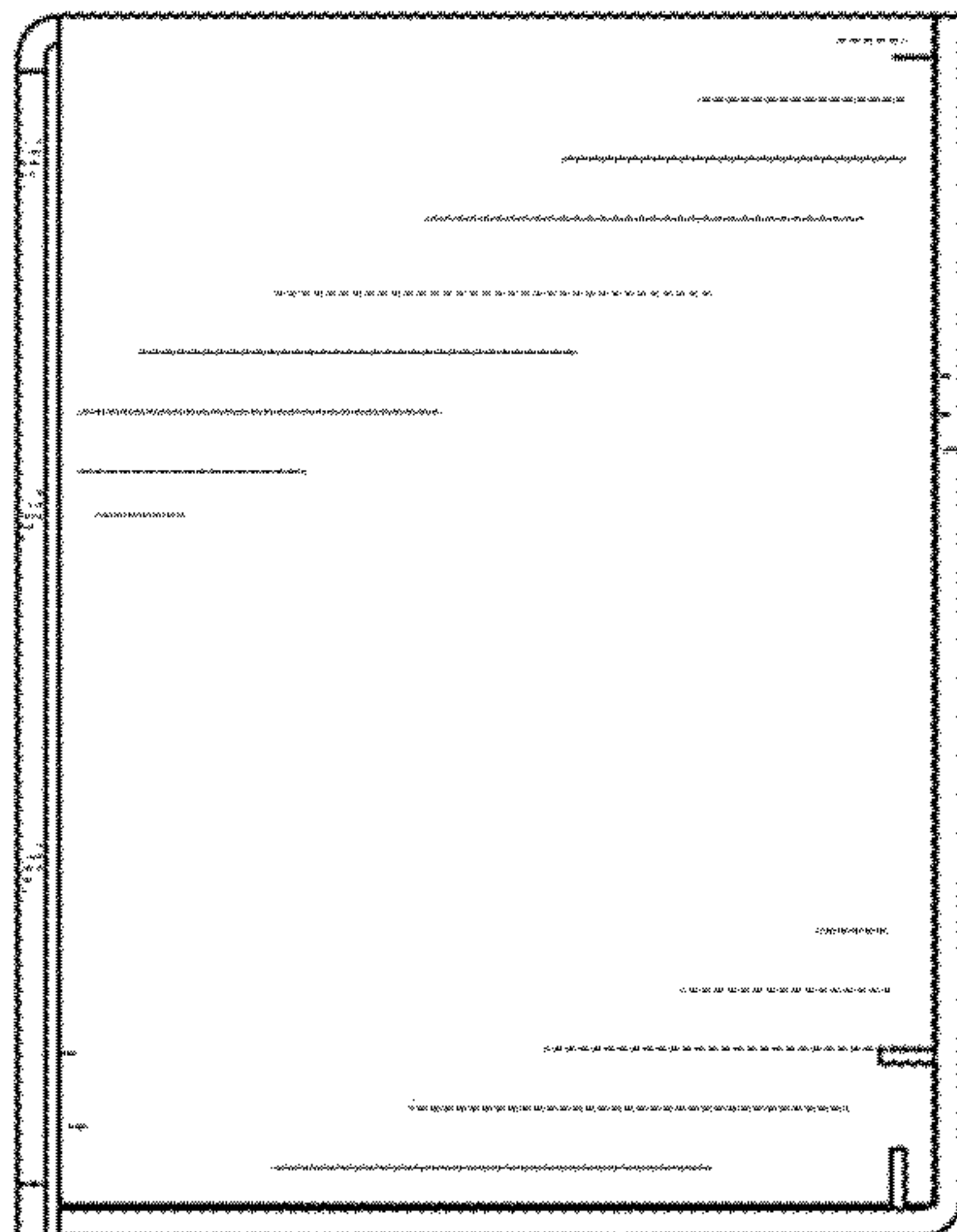


FIG. 7

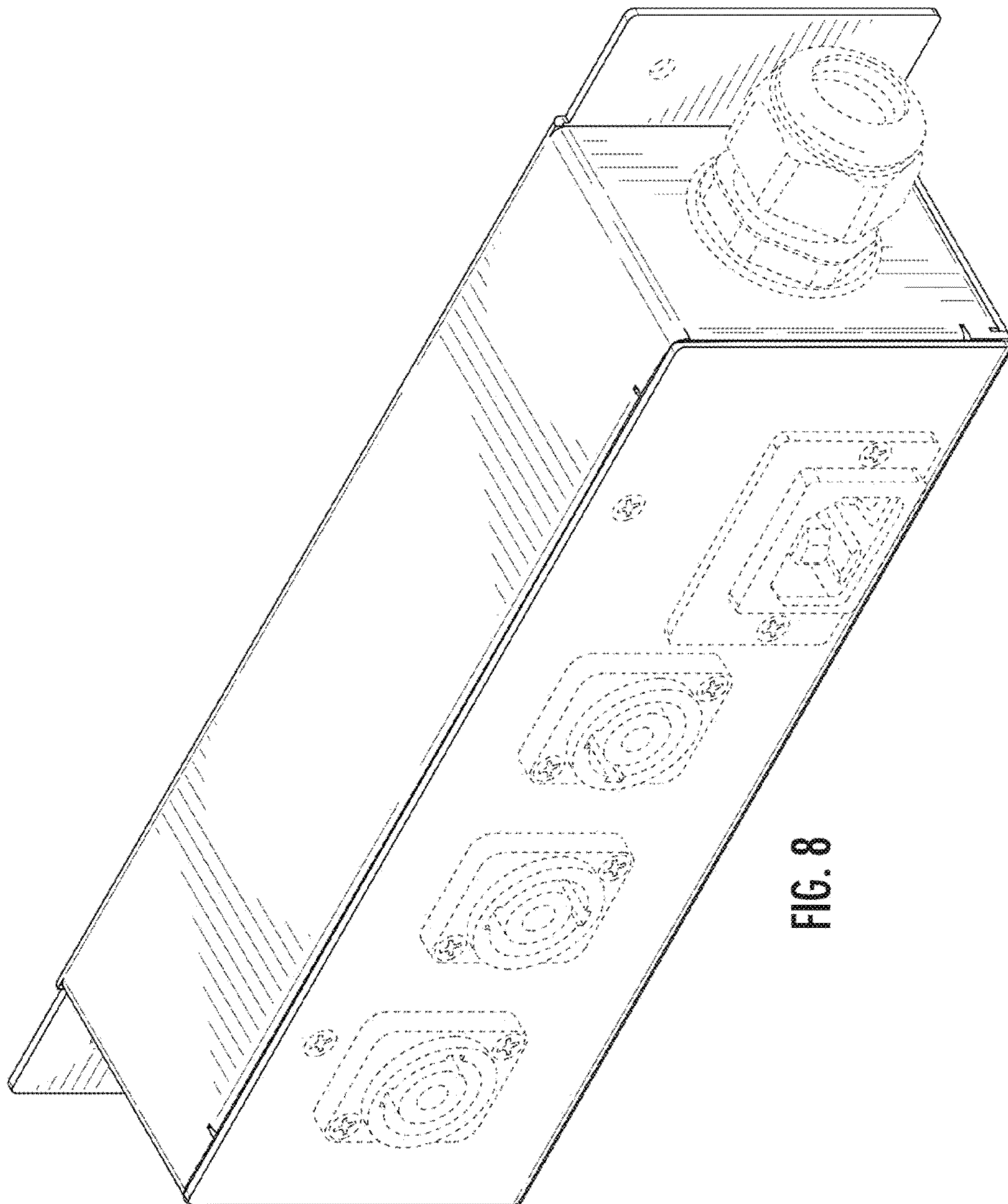


FIG. 8