



US00D938917S

(12) **United States Design Patent** (10) **Patent No.:** **US D938,917 S**
Aromin et al. (45) **Date of Patent:** **** Dec. 21, 2021**

(54) **LEAK CURRENT DETECTION AND INTERRUPTION PLUG**

(71) Applicant: **Tower Manufacturing Corp.,**
Providence, RI (US)

(72) Inventors: **Victor V Aromin,** West Warwick, RI (US); **Louis J. Shatkin,** Warwick, RI (US)

(73) Assignee: **Tower Manufacturing Corp.,**
Providence, RI (US)

(**) Term: **15 Years**

(21) Appl. No.: **29/756,211**

(22) Filed: **Oct. 27, 2020**

(51) **LOC (13) Cl.** **13-03**

(52) **U.S. Cl.**
USPC **D13/138.2; D13/160**

(58) **Field of Classification Search**
USPC D13/107, 118-120, 123, 133, 146-149, D13/151, 154, 156, 158-160, 173, 184, D13/199, 108, 110, 137.2, 138.1, 138.2, D13/139.6
CPC H01H 75/00; H01H 83/06; H01R 13/648; H01R 13/66; H01R 13/68; H01R 24/00; H01R 29/00; H01R 31/06; H02H 1/00; H02H 3/00; H02H 3/16; H02H 7/22; H04N 7/14; H04M 11/02
See application file for complete search history.

(56) **References Cited**
U.S. PATENT DOCUMENTS

D314,177 S * 1/1991 Heiligenstein D13/138.1
D356,066 S * 3/1995 Rao D13/138.1
5,862,029 A * 1/1999 Nicol H01H 83/02
361/115

6,122,155 A * 9/2000 Aromin H02H 3/338
361/42
D434,010 S * 11/2000 Stekelenburg D13/160
8,183,962 B2 * 5/2012 Zhang H01R 13/7135
335/18
D727,185 S * 4/2015 Aromin D10/78
D735,136 S * 7/2015 Aromin D13/138.2
D742,831 S * 11/2015 Yu D13/139.6
D819,572 S * 6/2018 Ye D13/138.2
D849,577 S * 5/2019 Aromin D10/78
D872,035 S * 1/2020 Aromin D13/160
D880,426 S * 4/2020 Aromin D13/138.2
D924,135 S * 7/2021 England D13/110
2006/0146456 A1 * 7/2006 Williams H02H 3/044
361/42
2008/0094764 A1 * 4/2008 Zhang H01R 13/6691
361/42
2013/0100560 A1 * 4/2013 Zou H02H 3/06
361/42
2014/0139955 A1 * 5/2014 Ye H01H 83/144
361/42
2019/0140406 A1 * 5/2019 Tarte H01H 9/0235

(Continued)

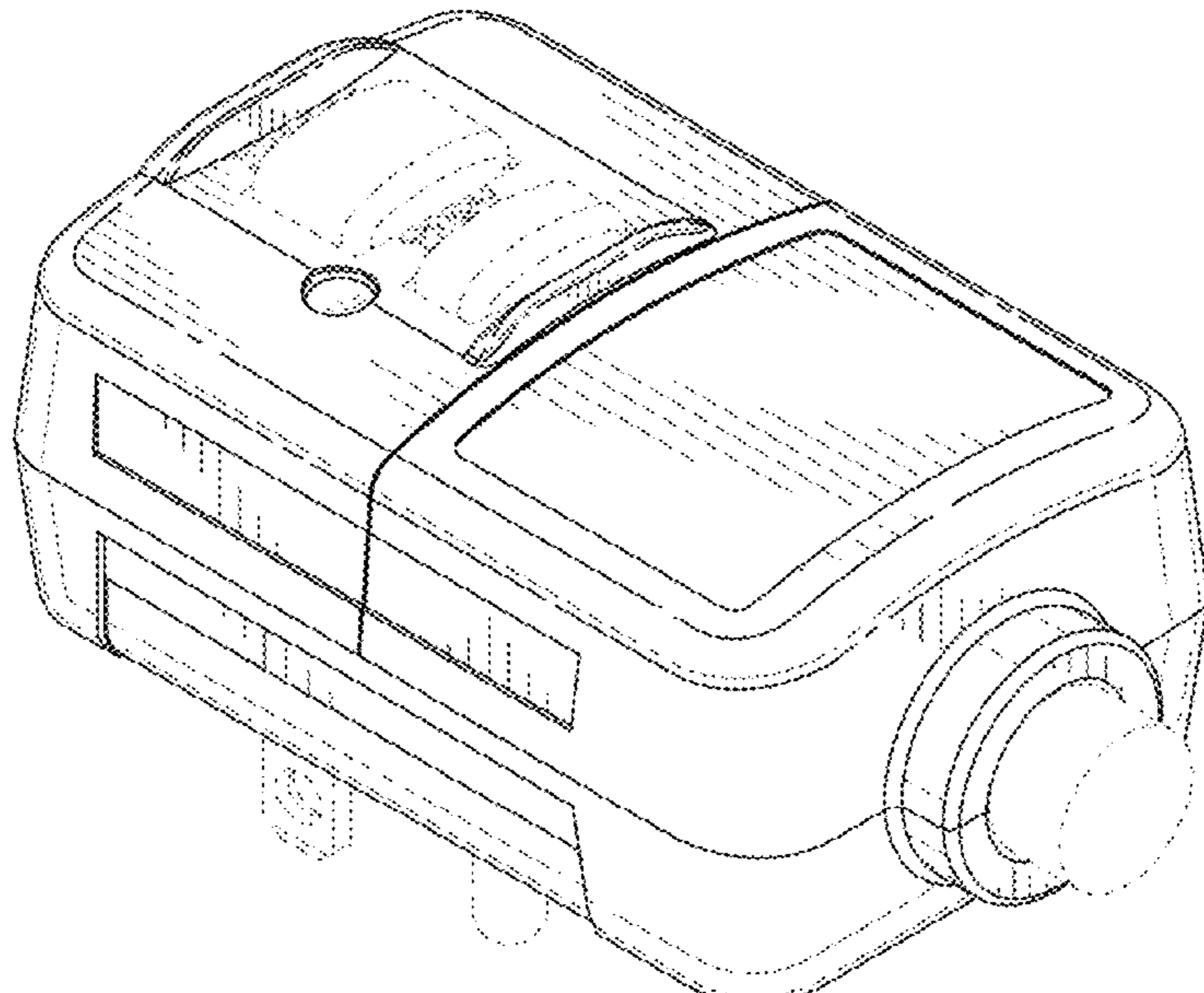
Primary Examiner — Shawn T Gingrich

(57) **CLAIM**
The ornamental design for a leak current detection and interruption plug, substantially as shown and described.

DESCRIPTION

FIG. 1 is a top perspective view of the present embodiment; FIG. 2 is a top view of the present embodiment; FIG. 3 is a bottom view of the present embodiment; FIG. 4 is a right view of the present embodiment; FIG. 5 is a left view, of the present embodiment; FIG. 6 is a front view of the present embodiment; and, FIG. 7 is a rear view of the present embodiment. The broken lines in the drawings illustrate portions of the leak current detection and interruption plug that form no part of the claimed design.

1 Claim, 7 Drawing Sheets



(56)

References Cited

U.S. PATENT DOCUMENTS

2019/0165567 A1* 5/2019 Aromin H02H 1/0015
2021/0006060 A1* 1/2021 Li H02H 1/0007
2021/0225606 A1* 7/2021 Li H01H 73/08

* cited by examiner

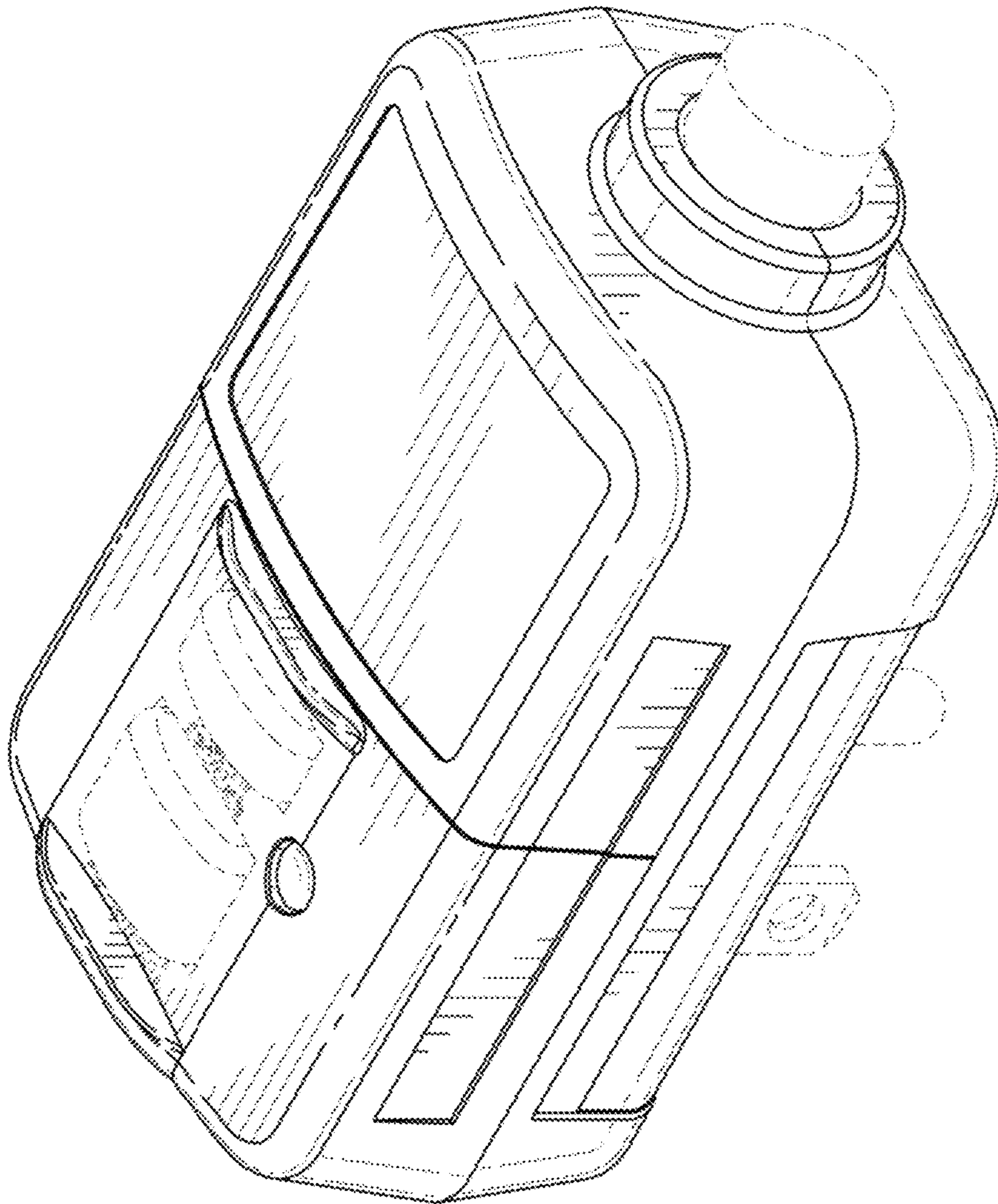


FIG. 1

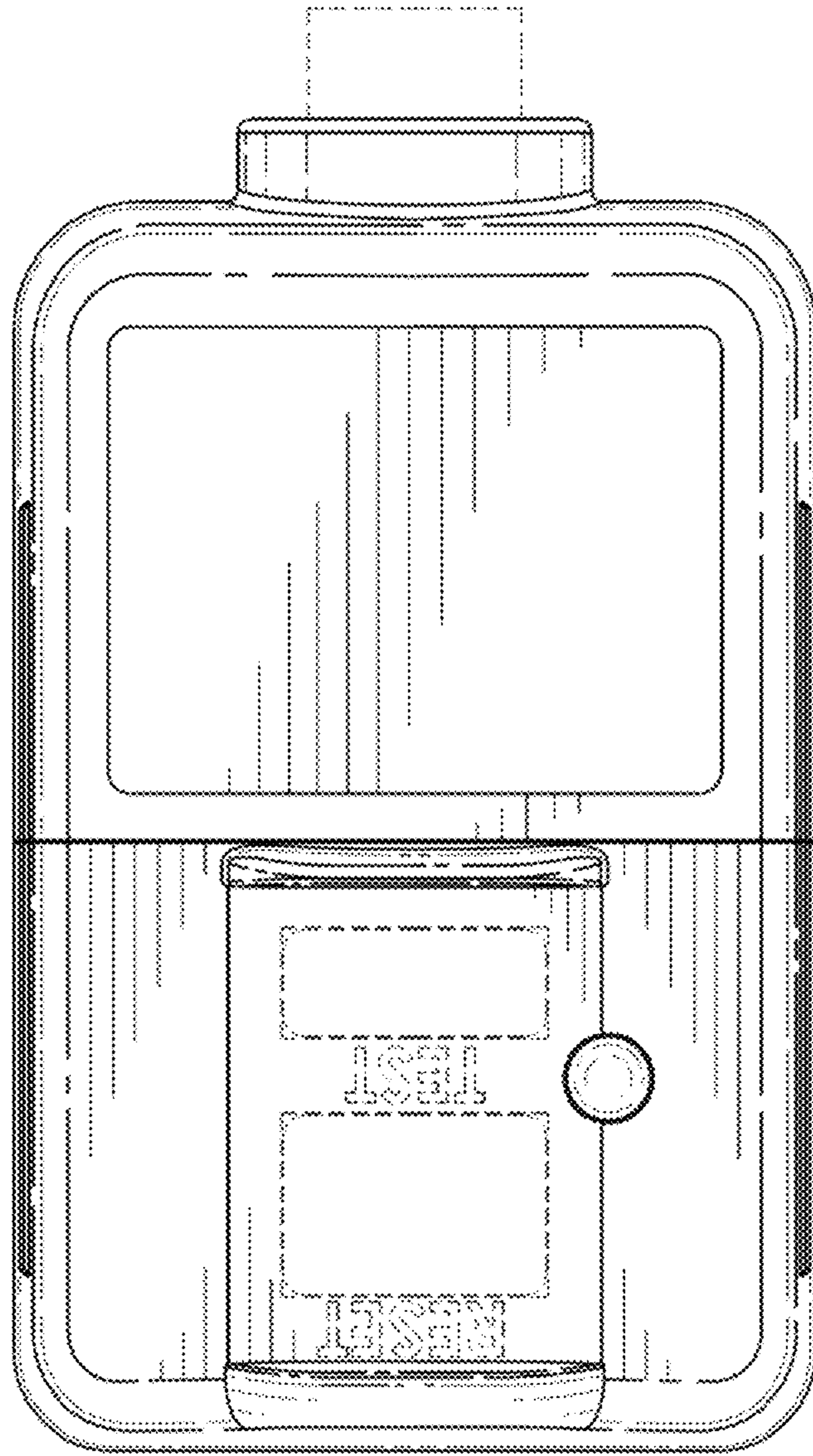


FIG. 2

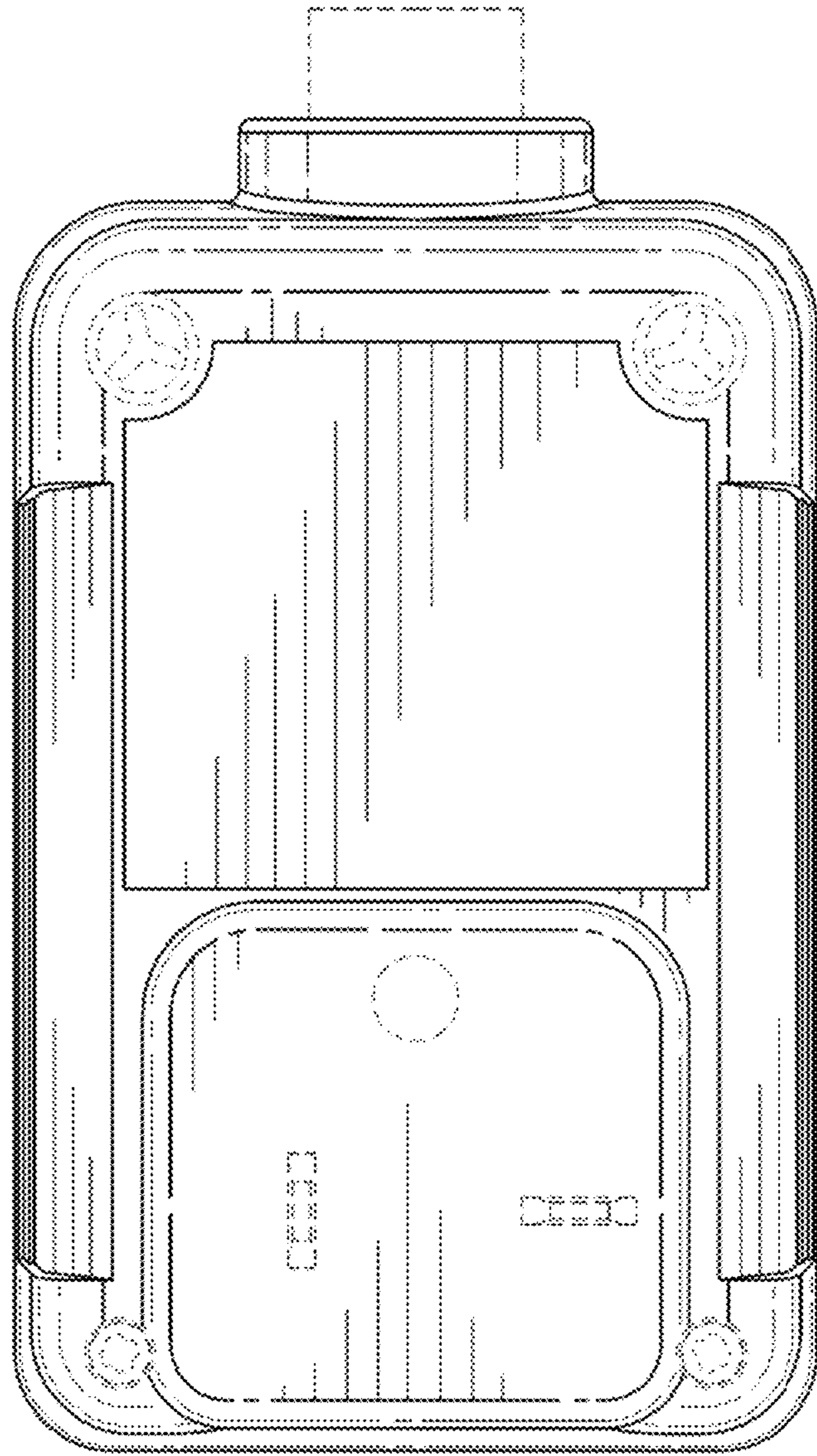


FIG. 3

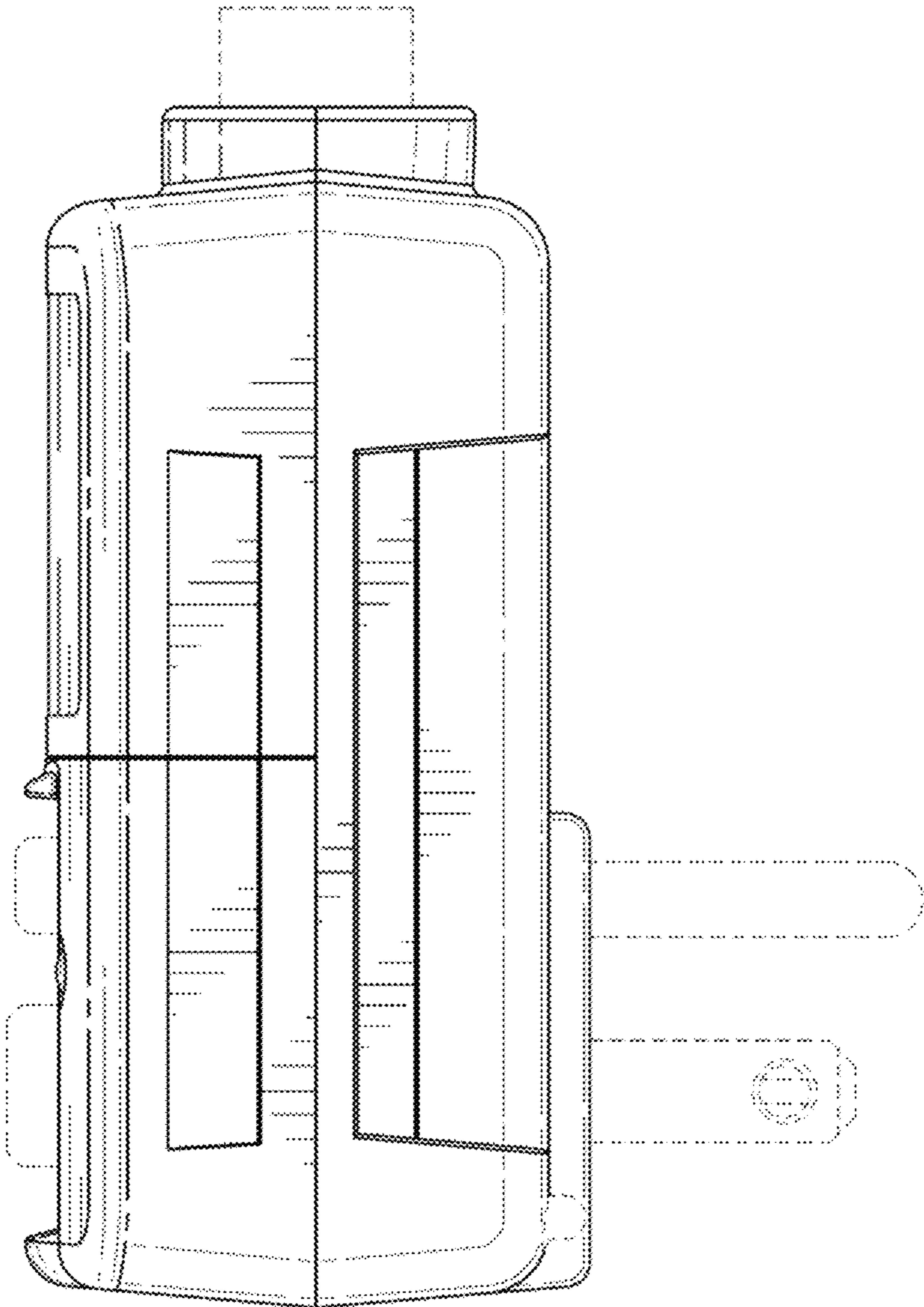


FIG. 4

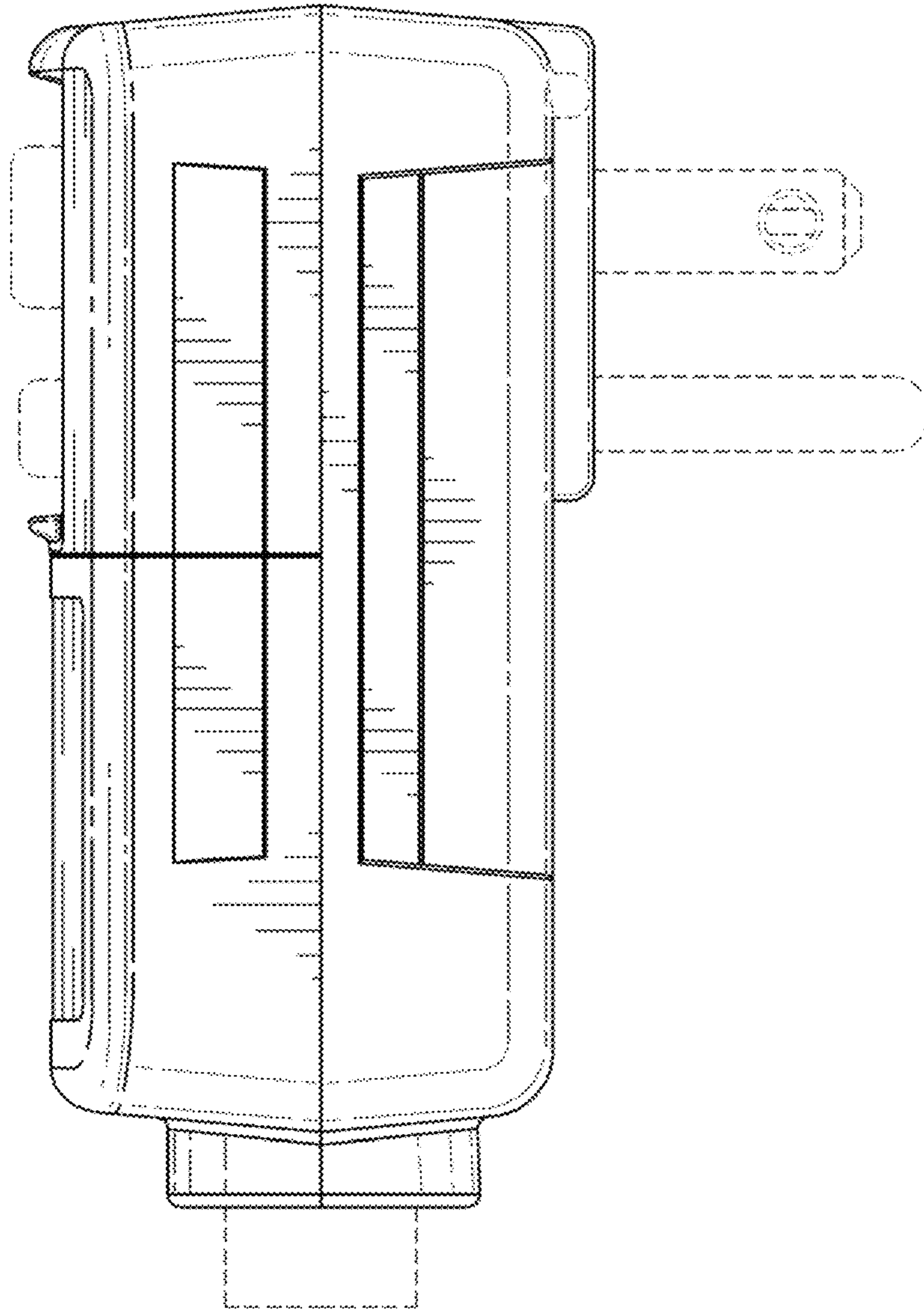


FIG. 5

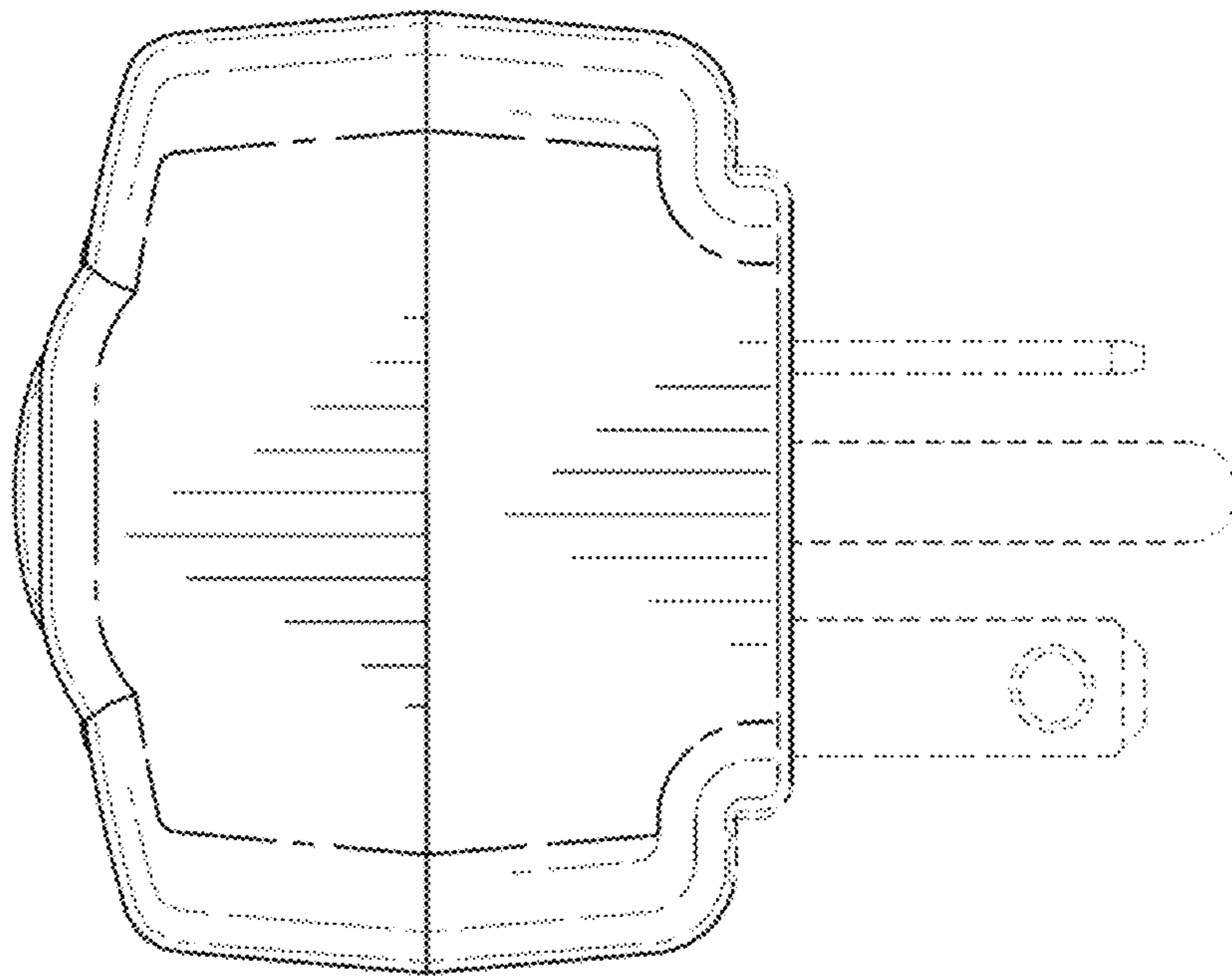


FIG. 6

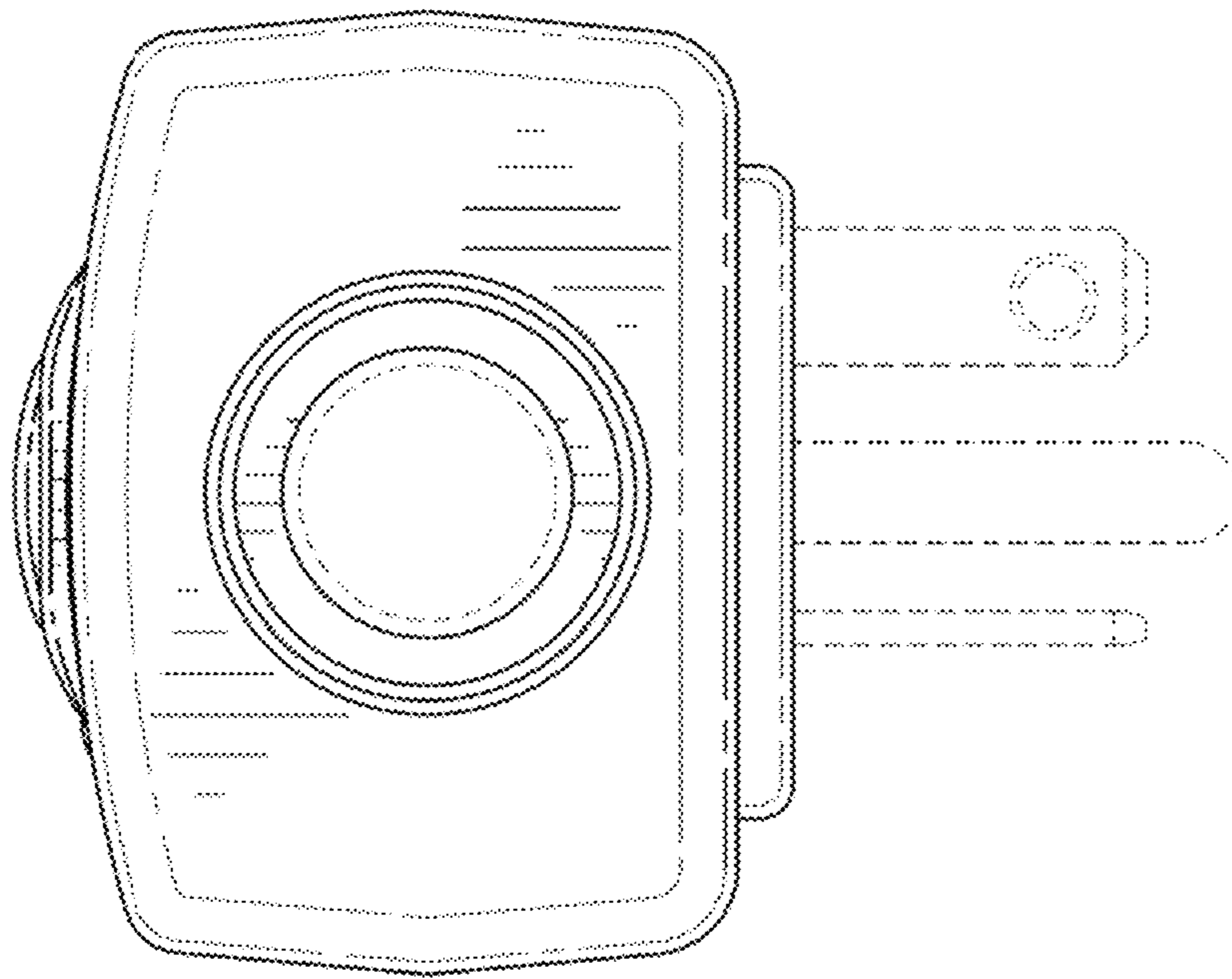


FIG. 7