



US00D938916S

(12) **United States Design Patent** (10) **Patent No.:** **US D938,916 S**
Yu (45) **Date of Patent:** **** Dec. 21, 2021**

(54) **ELECTRICAL SOCKET**

FOREIGN PATENT DOCUMENTS

(71) Applicant: **NINGBO WELL ELECTRIC APPLIANCE CO., LTD.**, Ningbo (CN)

CN 306401840 * 3/2021
CN 306412186 * 3/2021
GB 6108887 * 12/2020

(72) Inventor: **Guolin Yu**, Ningbo (CN)

OTHER PUBLICATIONS

(73) Assignee: **NINGBO WELL ELECTRIC APPLIANCE CO., LTD.**, Ningbo (CN)

“Power Strip Surge Protector,6 AC Outlets Power Strip with 3 USB Charging Ports(3×2.4A),Slide-to-Close Outlet Covers and 5 ft Extension Cord, 1250W/10A, 1200 Joules,for Home, Office and Hotel,White”, first available Jun. 5, 2021. Amazon.com [https://www.amazon.com/Protector-AC-Outlets-USB-Ports/dp/B0928LWD89/ref=sr_1_8?dchild=1&keywords=power+strip&qid=1624975234&sr=8-8]. (Year: 2021).*

(**) Term: **15 Years**

(Continued)

(21) Appl. No.: **29/730,037**

(22) Filed: **Mar. 31, 2020**

Primary Examiner — Rosemary K Tarcza
Assistant Examiner — Seth David Kumpf

(51) **LOC (13) Cl.** **13-03**

(52) **U.S. Cl.**
USPC **D13/137.3**

(58) **Field of Classification Search**

USPC ... D13/110, 133, 137.1, 137.2, 137.3, 137.4, D13/138.1, 138.2, 139.1, 139.2, 139.3, D13/139.4, 139.5, 139.6, 139.7, 139.8, D13/152, 199; D14/433; D15/350, 353
CPC H01R 35/04; H01R 2103/00; H01R 31/06; H01R 31/005; H01R 2201/06; H01R 13/665; H01R 13/7135; H01R 13/652; H01R 13/506; H01R 13/514; H01R 13/518; H01R 13/6272; H01R 13/46; G06F 13/4022; G06F 13/382; G06F 1/1632; G06F 1/1684; G06F 1/20; G06F 1/1607; H02G 3/088; H02J 7/00043; H02J 7/0021; H02J 7/0026; H02J 7/0027; H02J 7/0045

See application file for complete search history.

(57) **CLAIM**

The ornamental design for an electrical socket, as shown and described.

DESCRIPTION

FIG. 1 is a right, front, top perspective view of an electrical socket showing my new design;
FIG. 2 is a left, rear, bottom perspective view thereof;
FIG. 3 is a front elevational view thereof;
FIG. 4 is a rear elevational view thereof;
FIG. 5 is a right side elevational view thereof;
FIG. 6 is a left side elevational view thereof;
FIG. 7 is a top plan view thereof;
FIG. 8 is a bottom plan view thereof; and
FIG. 9 is an enlarged view of circled portion 9 in FIG. 2; and,
FIG. 10 is a right, front, top perspective view of the electrical socket of FIG. 1 shown in a using state.
In the drawings, the broken lines illustrate portions of the electrical socket that form no part of the claimed design.

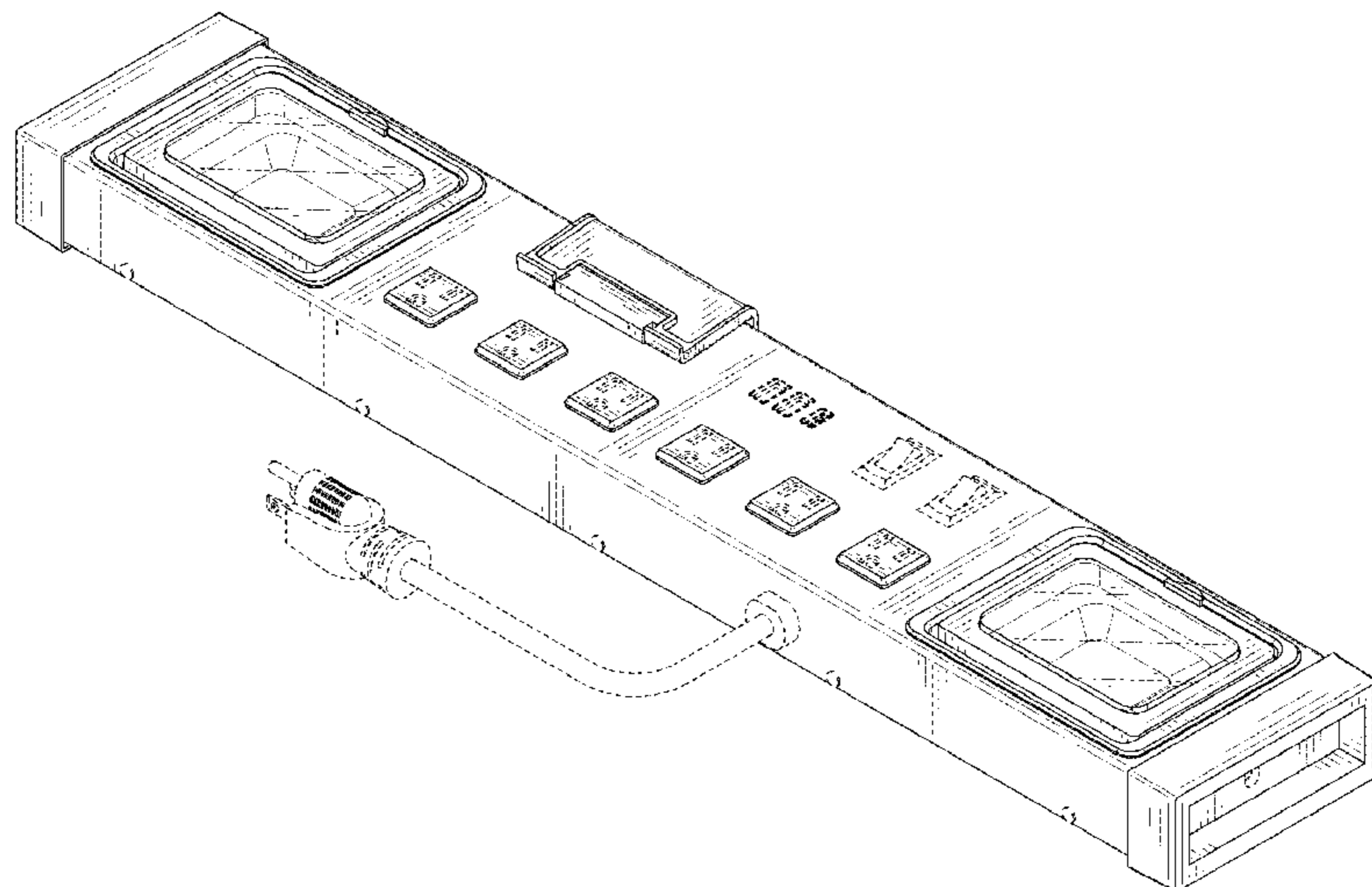
(56) **References Cited**

U.S. PATENT DOCUMENTS

6,108,178 A * 8/2000 Beadles H01R 13/6397 361/1
D431,529 S * 10/2000 Giese D13/139.6

(Continued)

1 Claim, 10 Drawing Sheets



(56)

References Cited

U.S. PATENT DOCUMENTS

6,663,396 B1 * 12/2003 Wang H01R 13/652
439/31
D535,257 S * 1/2007 Byrne D13/139.4
D765,033 S * 8/2016 Oosterman D13/139.1
D811,337 S * 2/2018 Byrne D13/137.2
D814,420 S * 4/2018 Chen D13/137.2
D816,037 S * 4/2018 Byrne D13/137.2
D848,948 S * 5/2019 Wei D13/137.2
D872,695 S * 1/2020 Bo D13/137.2
2003/0111250 A1 * 6/2003 Wang H01R 13/4534
174/66

OTHER PUBLICATIONS

“Power Strip, SUPERDANNY USB Surge Protector Power Strip, Mountable Extension Cord Multiple Protection 5 Outlets 3 USB Ports with Hook & Loop Fastener for iPhone iPad PC Home Office Dorm Travel, Black”, first accessed Jun. 29, 2021. Amazon.com [https://www.amazon.com/Fire-Proof-Mountable-SUPERDANNY-Protection-Extension/dp/B07GZNHVT4/ref=sr_1_15?dchild=1&keywords=power+stri%E2%80%A6]. (Year: 2021).*

* cited by examiner

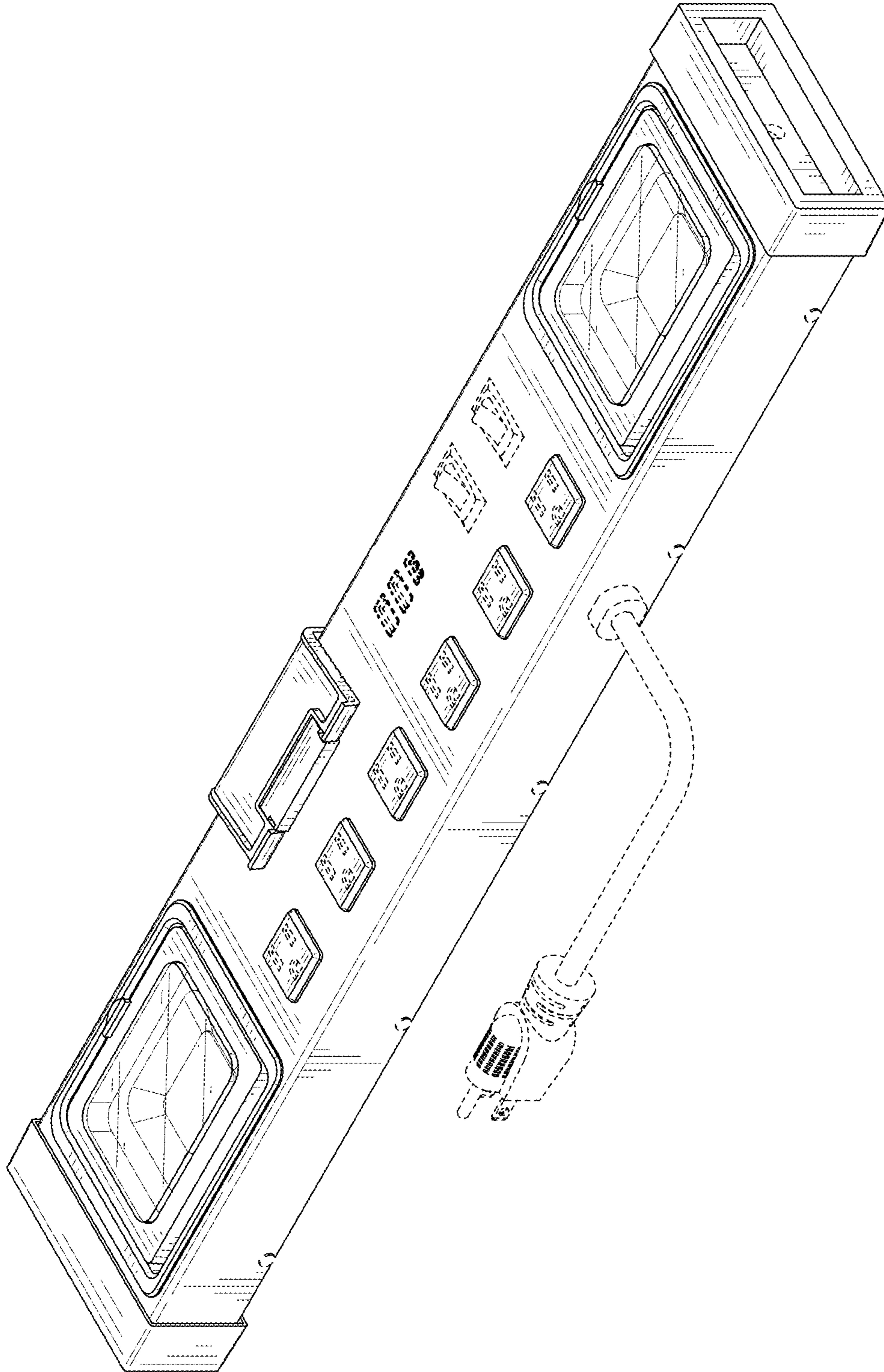


FIG. 1

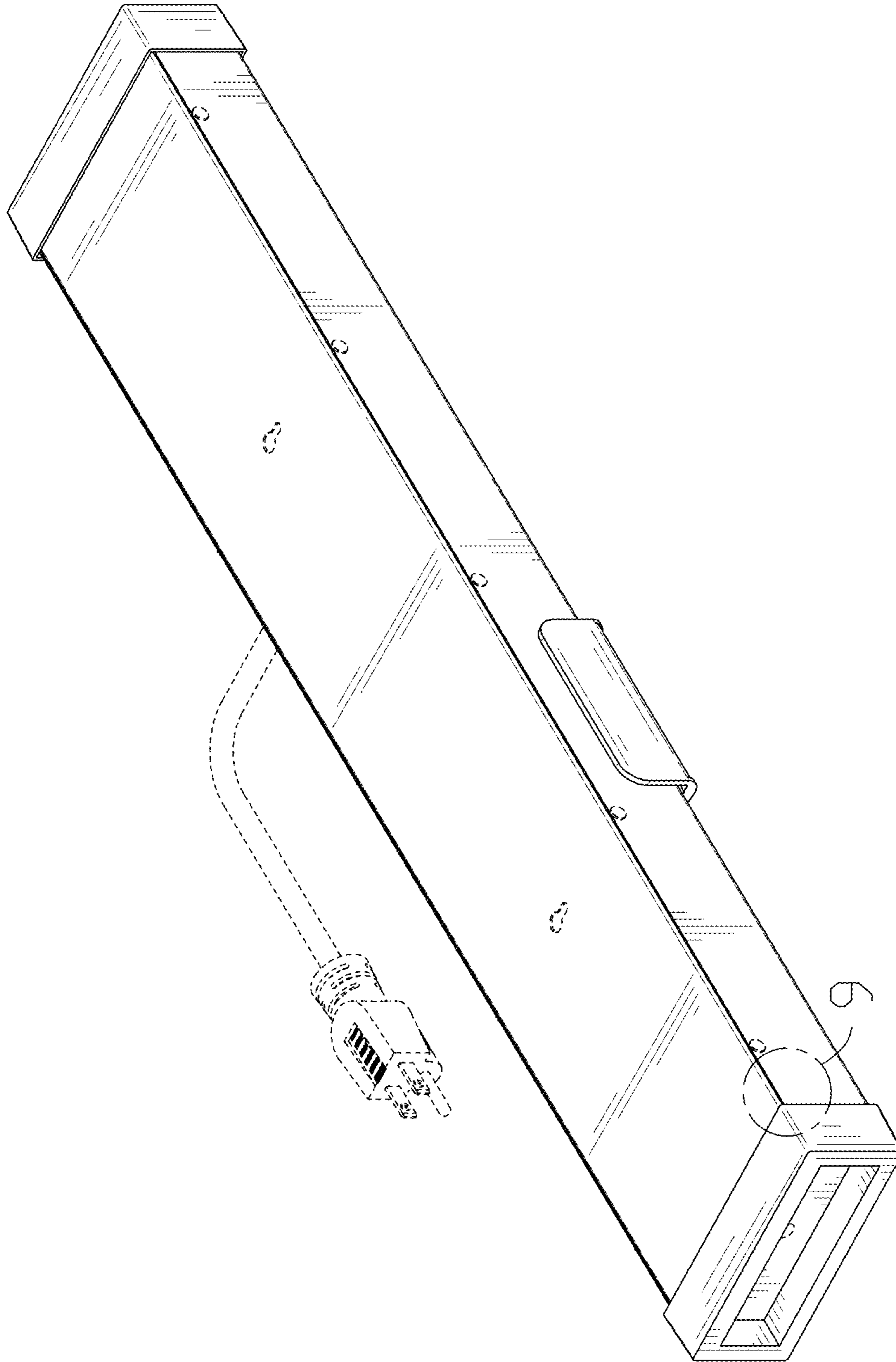


FIG. 2

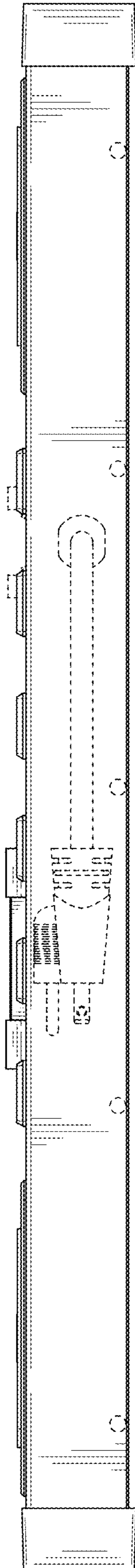


FIG. 3

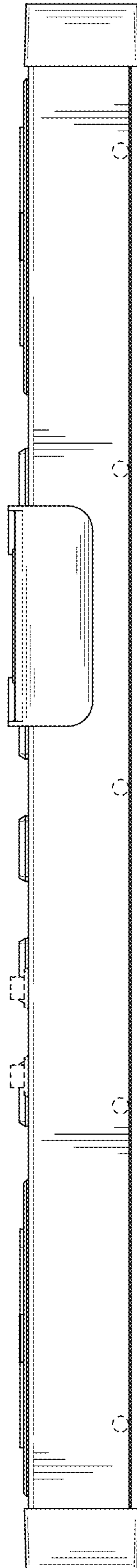


FIG. 4

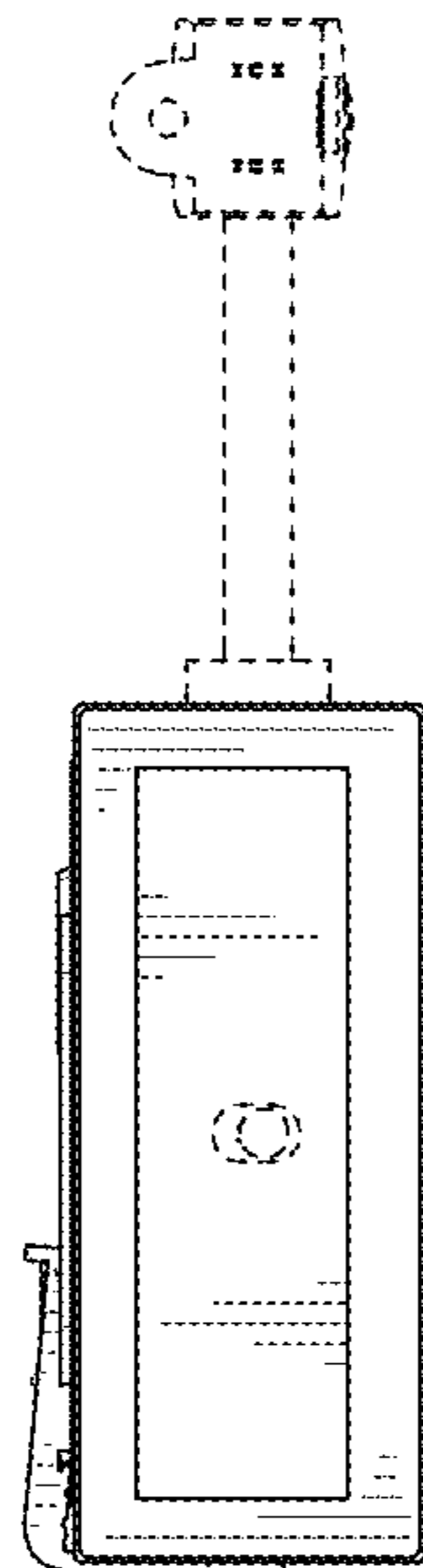


FIG. 5

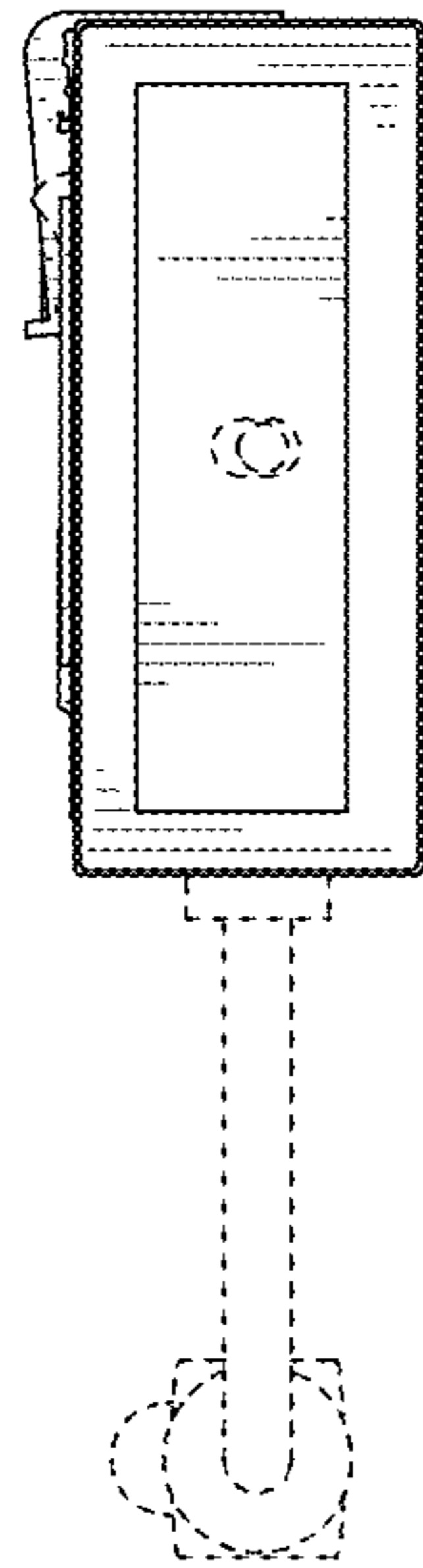


FIG. 6

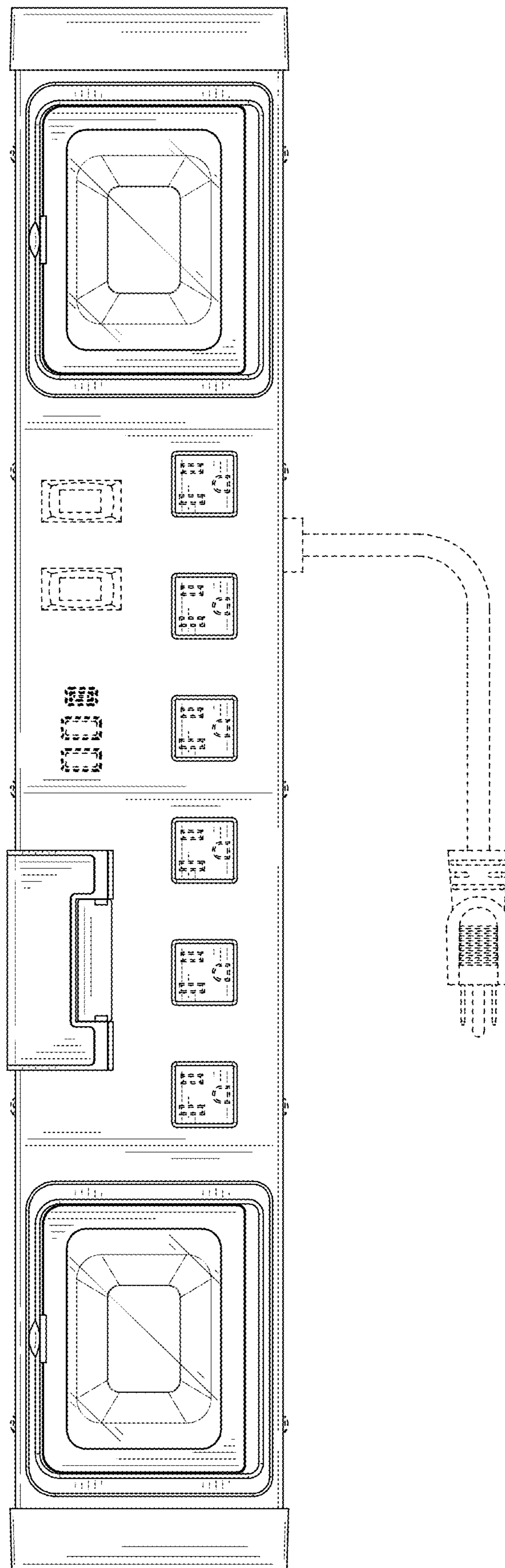


FIG. 7

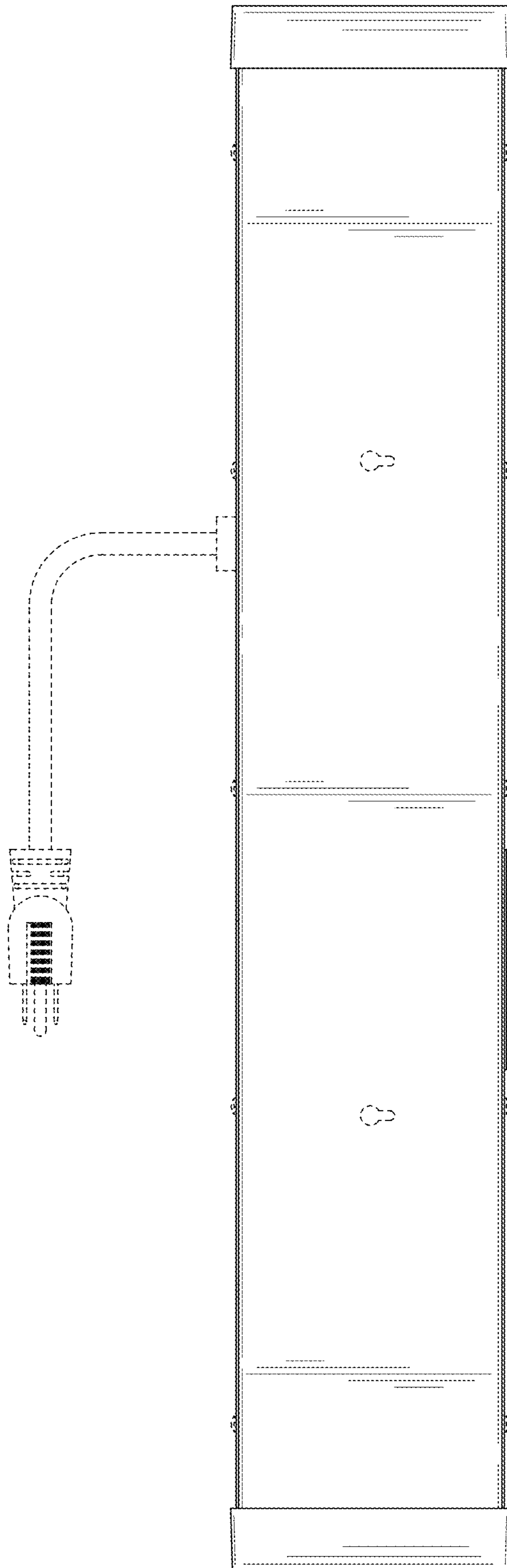


FIG. 8

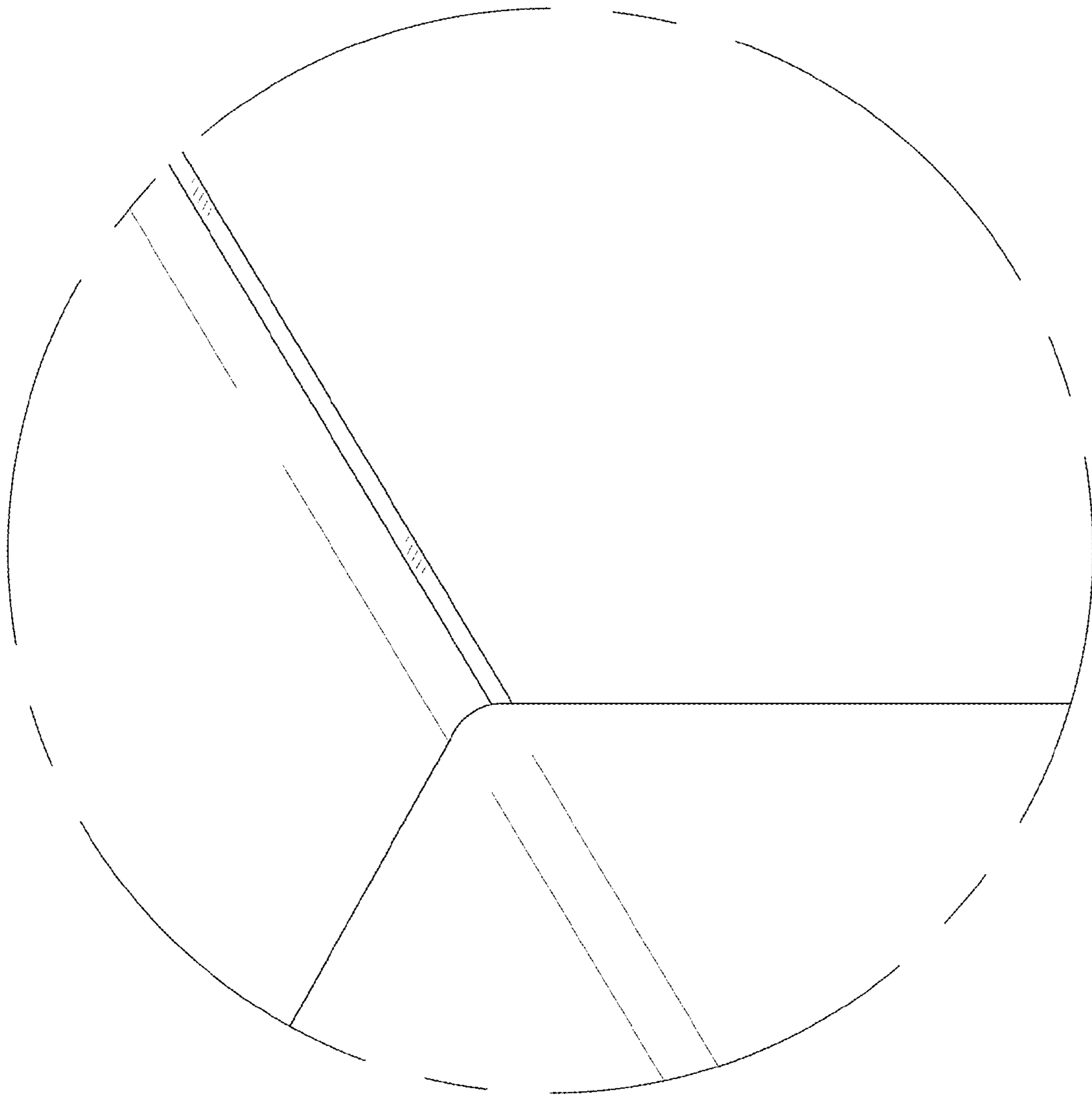


FIG. 9

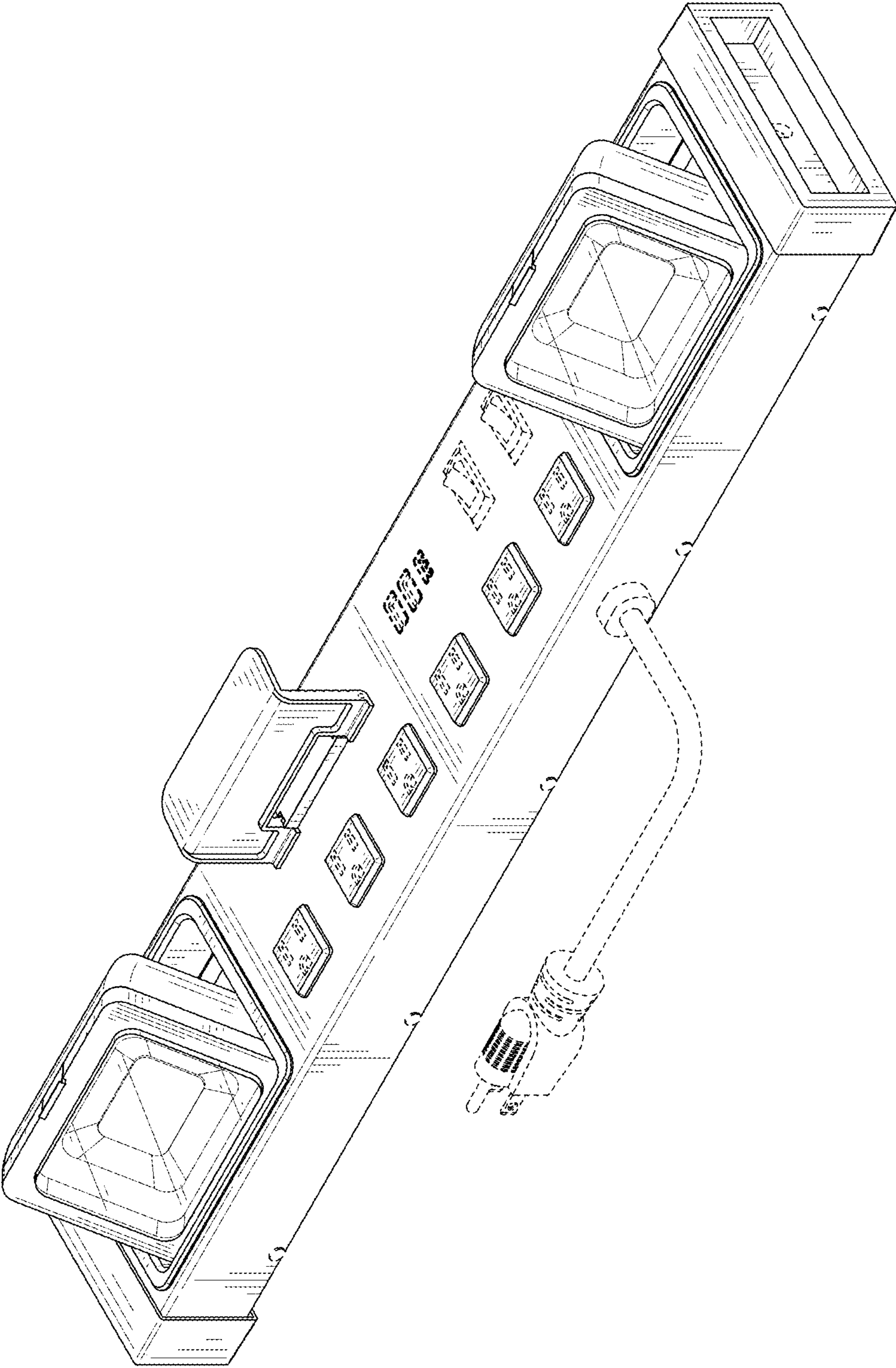


FIG. 10