



US00D938915S

(12) **United States Design Patent** (10) **Patent No.:** **US D938,915 S**  
**Yu** (45) **Date of Patent:** **\*\* Dec. 21, 2021**

(54) **ELECTRICAL SOCKET**

FOREIGN PATENT DOCUMENTS

(71) Applicant: **NINGBO WELL ELECTRIC APPLIANCE CO., LTD.**, Ningbo (CN)

CN 306401840 \* 3/2021  
CN 306412186 \* 3/2021  
GB 6108887 \* 12/2020

(72) Inventor: **Guolin Yu**, Ningbo (CN)

OTHER PUBLICATIONS

(73) Assignee: **NINGBO WELL ELECTRIC APPLIANCE CO., LTD.**, Ningbo (CN)

“Power Strip Surge Protector,6 AC Outlets Power Strip with 3 USB Charging Ports(3×2.4A ),Slide-to-Close Outlet Covers and 5 ft Extension Cord, 1250W/10A, 1200 Joules,for Home, Office and Hotel,White”, first available Jun. 5, 2021. Amazon.com [https://www.amazon.com/Protector-AC-Outlets-USB-Ports/dp/B0928LWD89/ref=sr\_1\_8?dchild=1&keywords=power+strip&qid=1624975234&sr=8-8] (Year: 2021).\*

(\*\*) Term: **15 Years**

(21) Appl. No.: **29/730,036**

(22) Filed: **Mar. 31, 2020**

(Continued)

(51) **LOC (13) Cl.** ..... **13-03**

*Primary Examiner* — Rosemary K Tarcza

(52) **U.S. Cl.**  
USPC ..... **D13/137.3**

*Assistant Examiner* — Seth David Kumpf

(58) **Field of Classification Search**

(57) **CLAIM**

USPC ... D13/110, 133, 137.1, 137.2, 137.3, 137.4, D13/138.1, 138.2, 139.1, 139.2, 139.3, D13/139.4, 139.5, 139.6, 139.7, 139.8, D13/152, 199; D14/433; D8/350, 353  
CPC .... H01R 35/04; H01R 2103/00; H01R 31/06; H01R 31/005; H01R 2201/06; H01R 13/665; H01R 13/7135; H01R 13/652; H01R 13/506; H01R 13/514; H01R 13/518; H01R 13/6272; H01R 13/46; G06F 13/4022; G06F 13/382; G06F 1/1632; G06F 1/1684; G06F 1/20; G06F 1/1607; H02G 3/088; H02J 7/00043; H02J 7/0021; H02J 7/0026; H02J 7/0027; H02J 7/0045

The ornamental design for an electrical socket, as shown and described.

See application file for complete search history.

**DESCRIPTION**

(56) **References Cited**

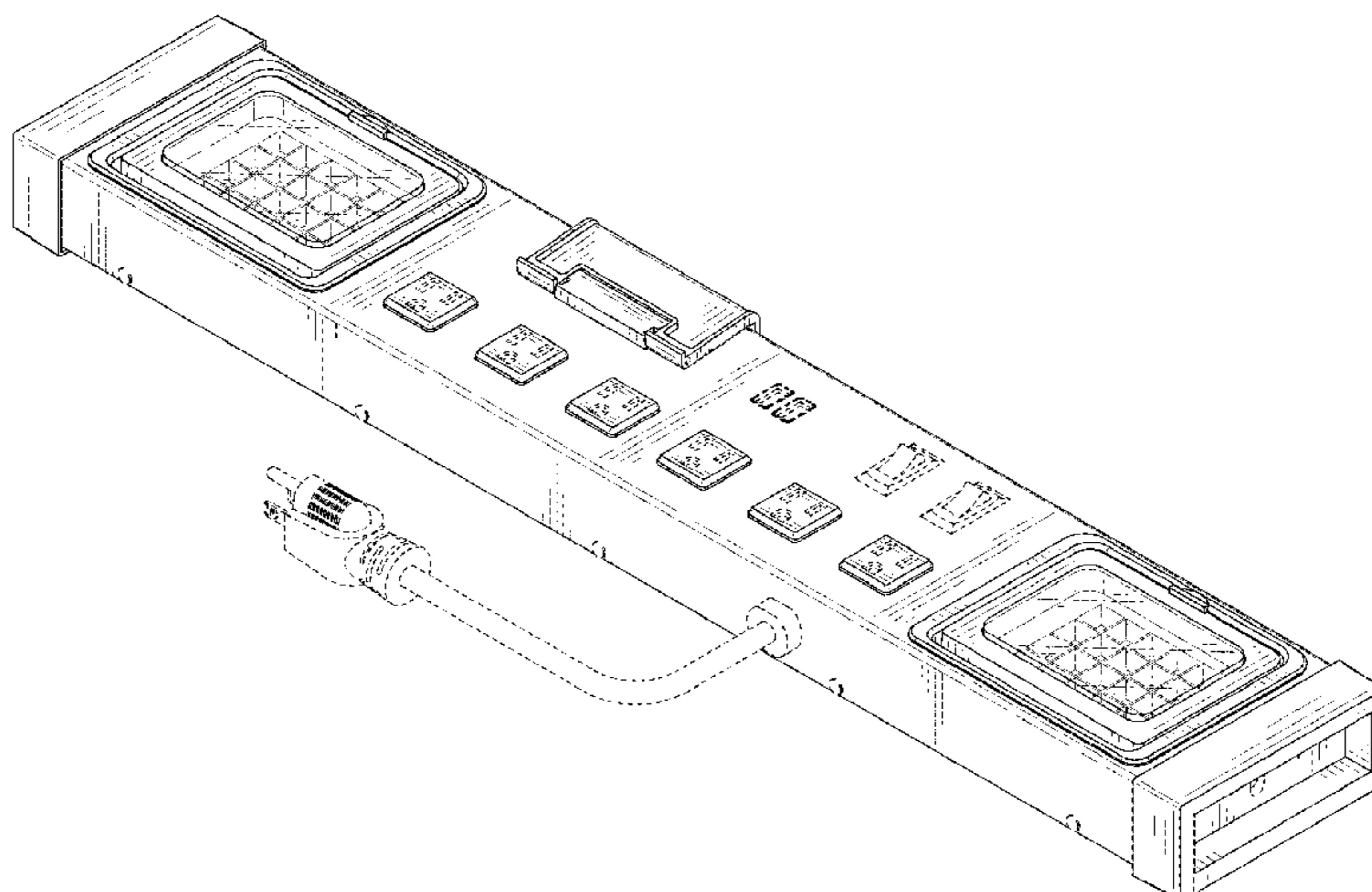
FIG. 1 is a right, front, top perspective view of an electrical socket showing my new design;  
FIG. 2 is a left, rear, bottom perspective view thereof;  
FIG. 3 is a front elevational view thereof;  
FIG. 4 is a rear elevational view thereof;  
FIG. 5 is a right side elevational view thereof;  
FIG. 6 is a left side elevational view thereof;  
FIG. 7 is a top plan view thereof;  
FIG. 8 is a bottom plan view thereof; and  
FIG. 9 is an enlarged view of circled portion 9 in FIG. 2; and,  
FIG. 10 is a right, front, top perspective view of the electrical socket of FIG. 1 shown in a using state.  
In the drawings, the broken lines illustrate portions of the electrical socket that form no part of the claimed design.

U.S. PATENT DOCUMENTS

D431,529 S \* 10/2000 Giese ..... D13/139.6  
6,663,396 B1 \* 12/2003 Wang ..... H01R 13/652  
439/31  
D535,257 S \* 1/2007 Byrne ..... D13/139.4

(Continued)

**1 Claim, 10 Drawing Sheets**



(56)

**References Cited**

U.S. PATENT DOCUMENTS

D765,033	S	*	8/2016	Oosterman	.....	D13/139.1
D811,337	S	*	2/2018	Byrne	.....	D13/137.2
D814,420	S	*	4/2018	Chen	.....	D13/137.2
D816,037	S	*	4/2018	Byrne	.....	D13/137.2
D848,948	S	*	5/2019	Wei	.....	D13/137.2
D872,695	S	*	1/2020	Bo	.....	D13/137.2
2003/0111250	A1	*	6/2003	Wang	.....	H01R 13/4534 174/66

OTHER PUBLICATIONS

“Power Strip, Superdanny USB Surge Protector Power Strip, Mountable Extension Cord Multiple Protection 5 Outlets 3 USB Ports with Hook & Loop Fastener for iPhone iPad PC Home Office Dorm Travel, Black”, first accessed Jun. 29, 2021. Amazon.com [[https://www.amazon.com/Fire-Proof-Mountable-SUPERDANNY-Protection-Extension/dp/B07GZNHVT4/ref=sr\\_1\\_15?dchild=1&keywords=power+stri%E2%80%A6](https://www.amazon.com/Fire-Proof-Mountable-SUPERDANNY-Protection-Extension/dp/B07GZNHVT4/ref=sr_1_15?dchild=1&keywords=power+stri%E2%80%A6)] (Year: 2021).\*

\* cited by examiner

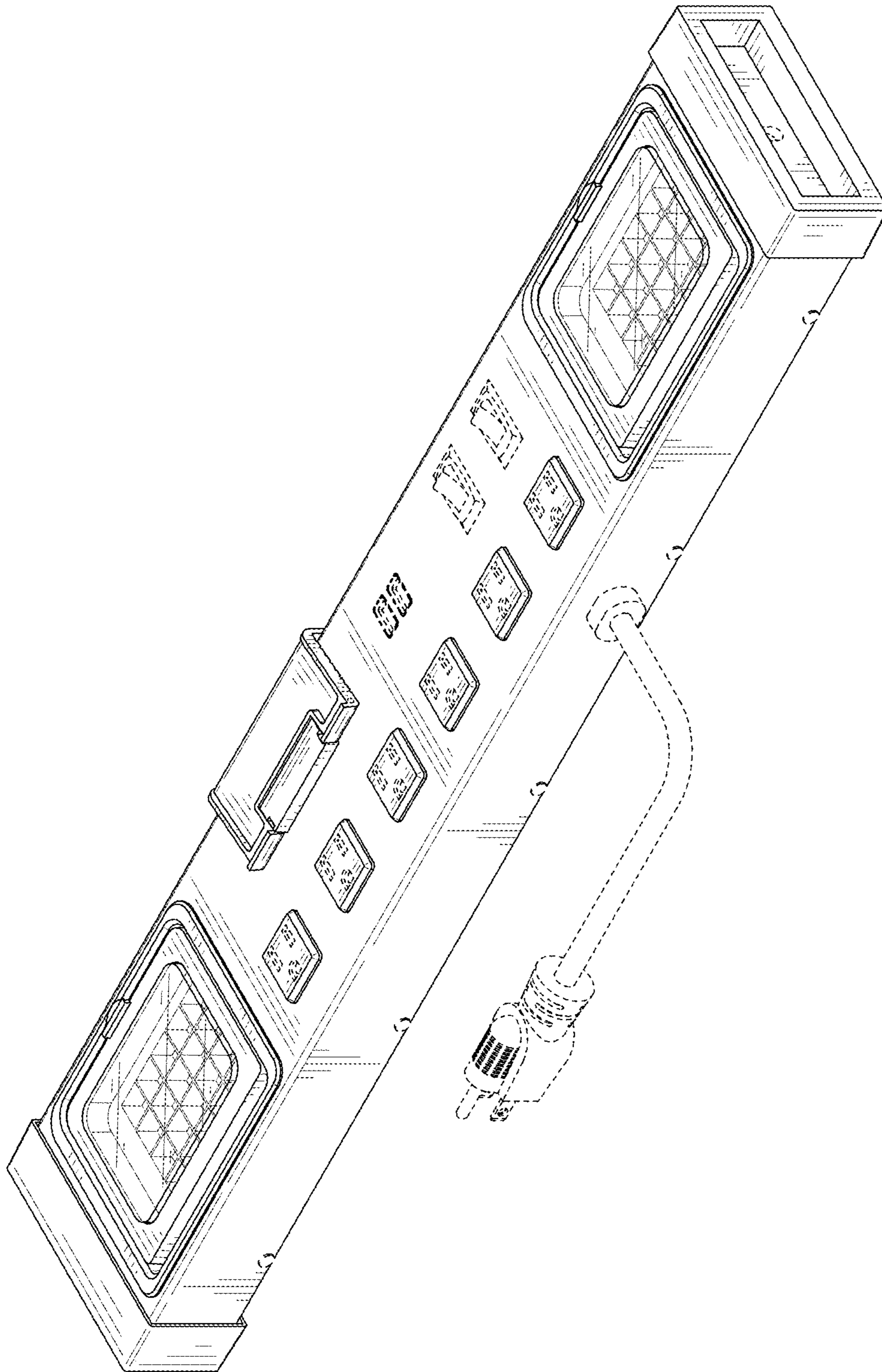


FIG. 1



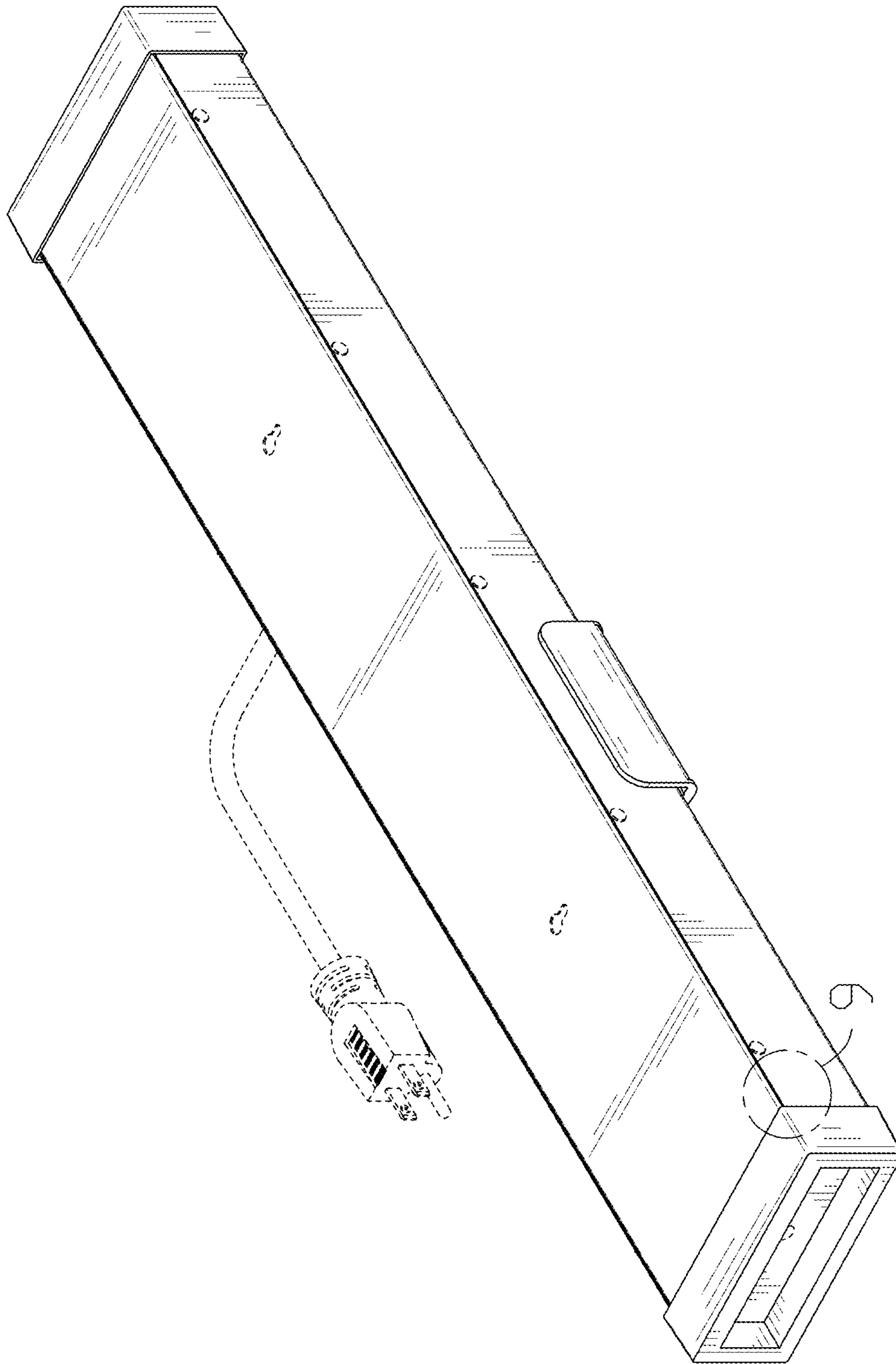


FIG. 2

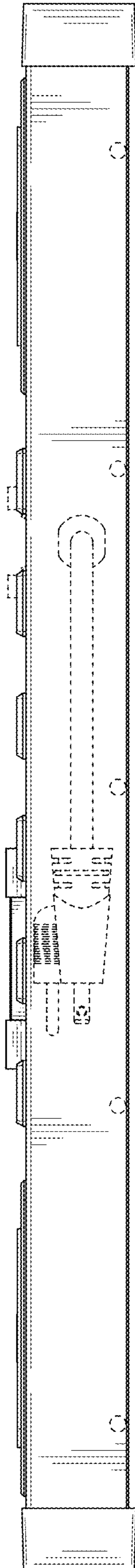


FIG. 3

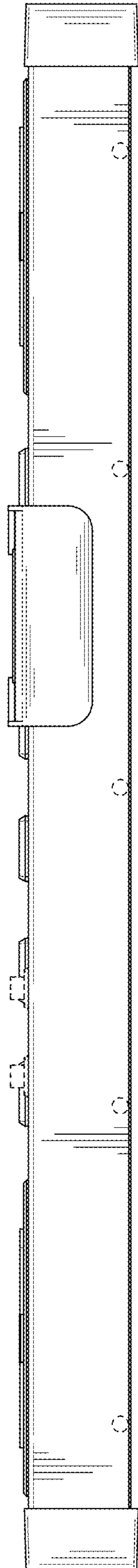


FIG. 4

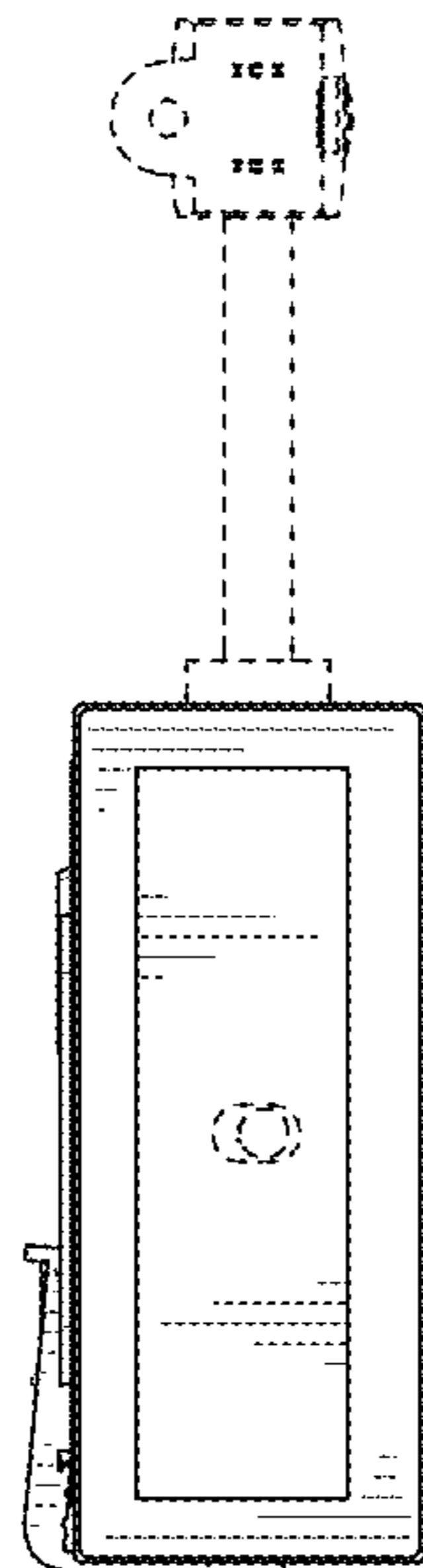


FIG. 5

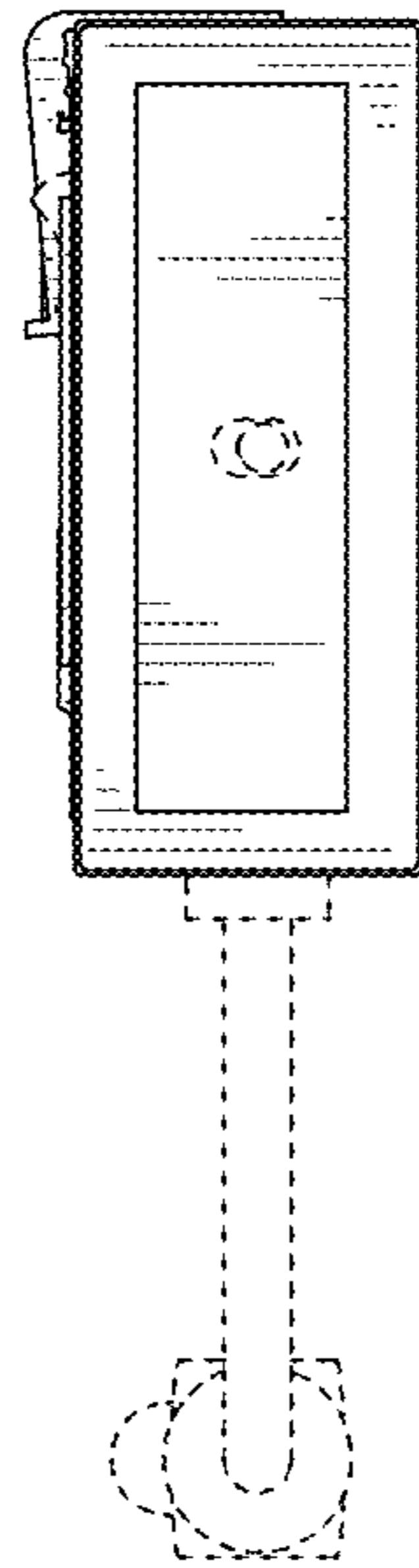


FIG. 6



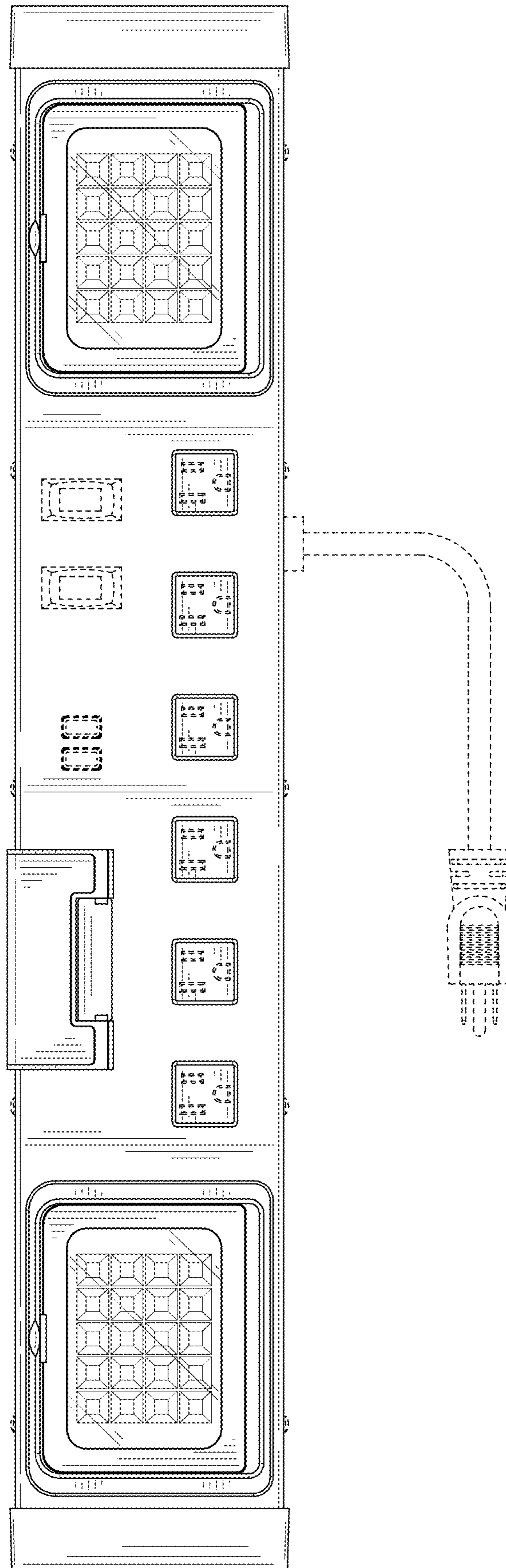


FIG. 7

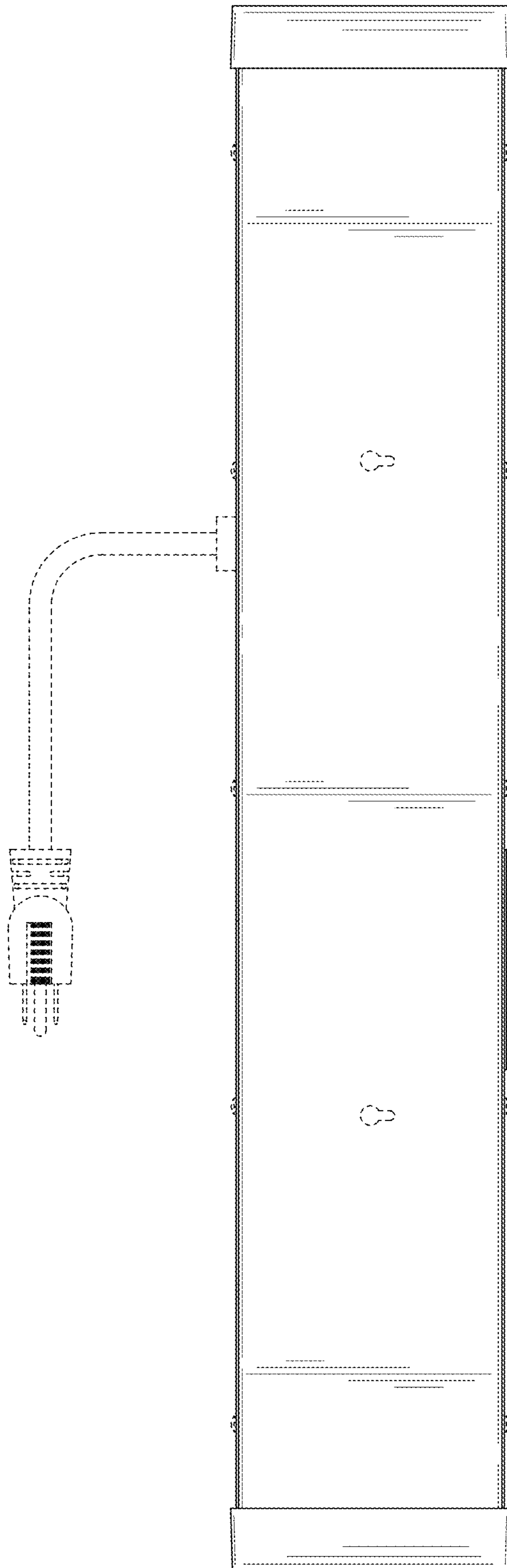


FIG. 8

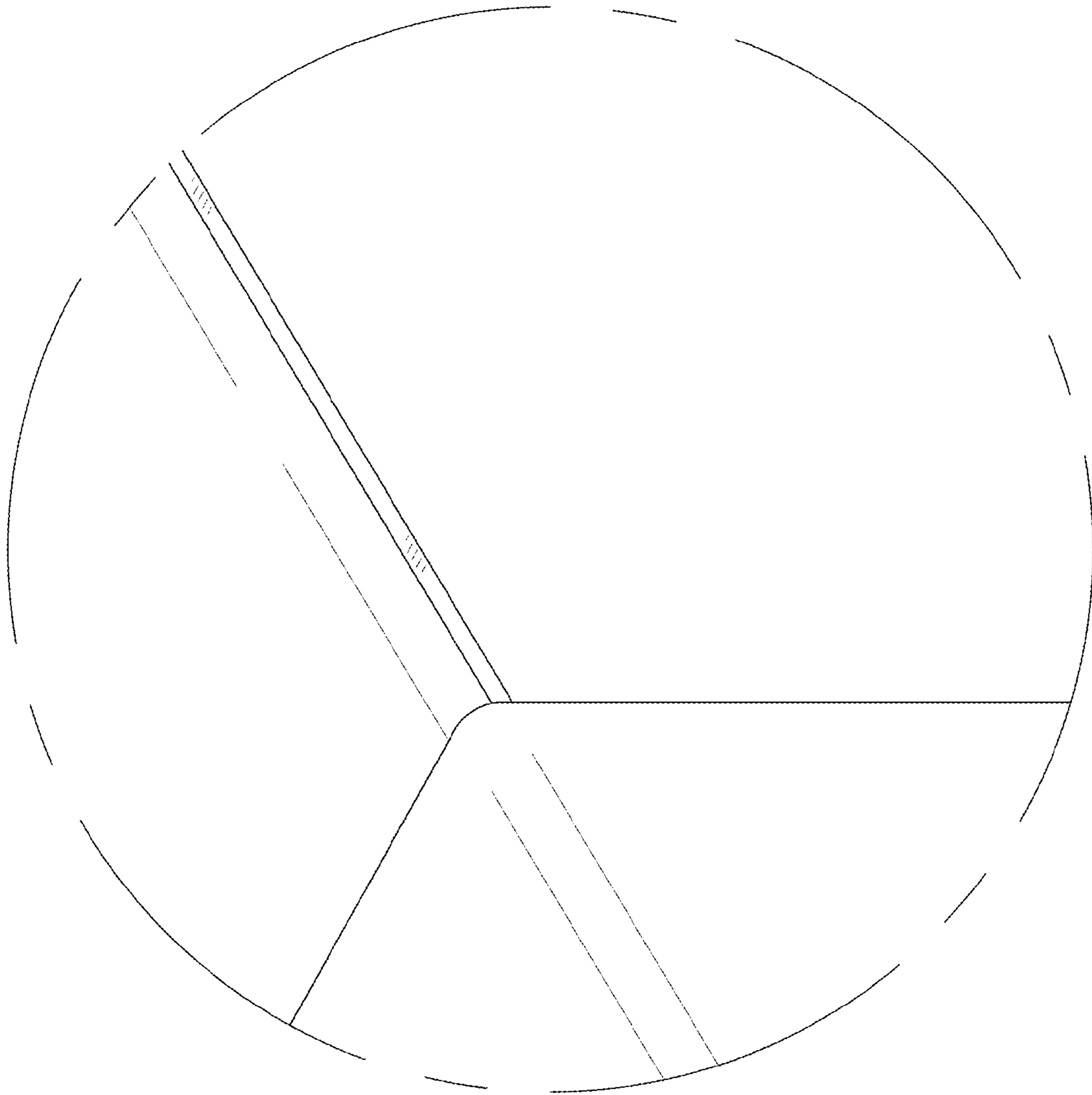


FIG. 9

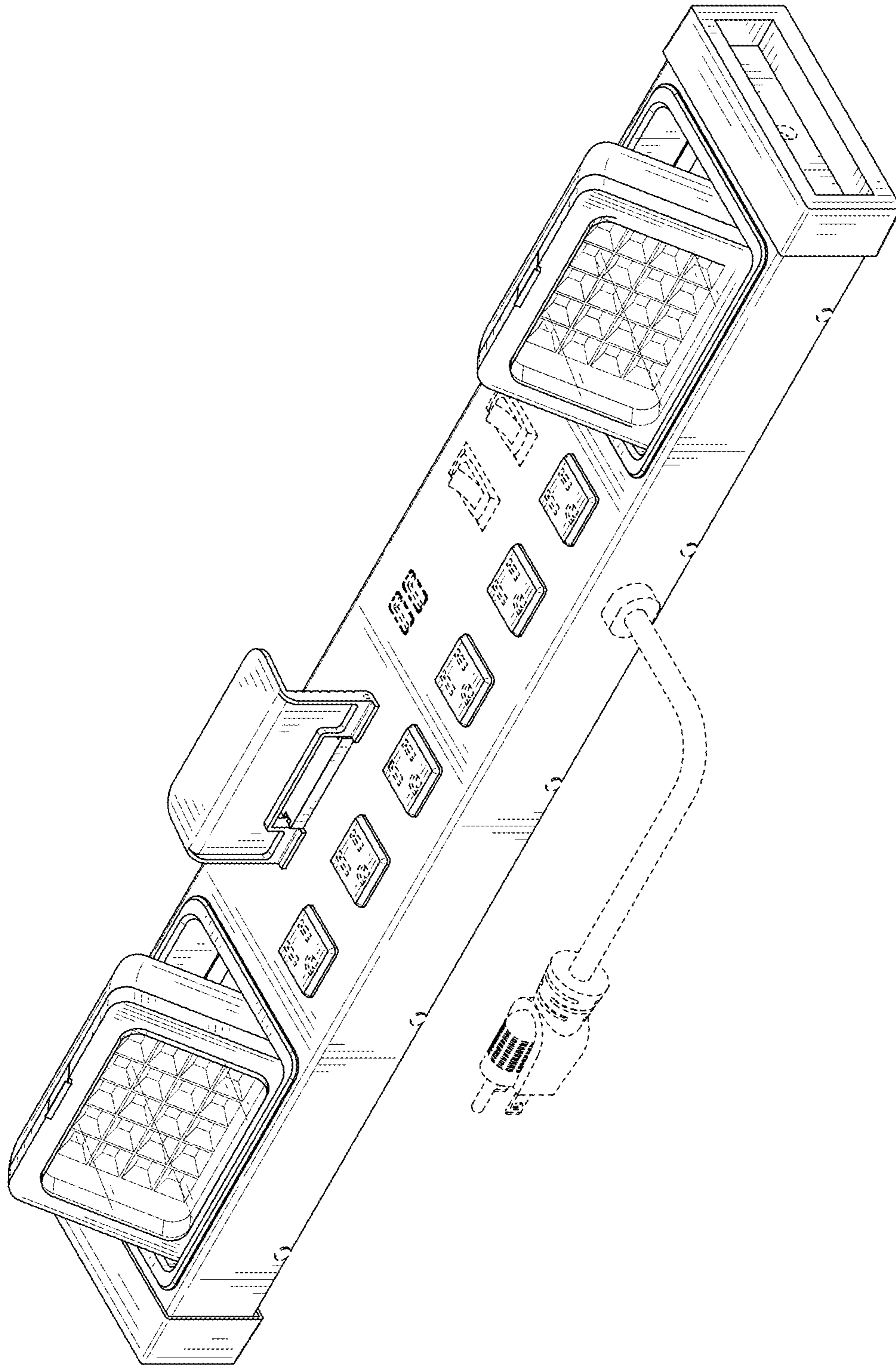


FIG. 10