



US00D938913S

(12) **United States Design Patent** (10) **Patent No.:** **US D938,913 S**
Salas et al. (45) **Date of Patent:** **** *Dec. 21, 2021**

- (54) **USB TYPE-C RECEPTACLE** D366,849 S 2/1996 Wilkinson et al.
- (71) Applicant: **Eaton Intelligent Power Limited,** D401,558 S 11/1998 Almond
Dublin (IE) D419,531 S * 1/2000 Keung D13/139.3
- (72) Inventors: **Luis F. Salas,** Fayetteville, GA (US); D425,492 S 5/2000 Johnston et al.
Brandon Jeremy Rogers, Senoia, GA D425,872 S 5/2000 Johnston et al.
(US); **Saivaraprasad Murahari,** D436,081 S 1/2001 Jackson et al.
Peachtree City, GA (US); **Sushant Dilip** D437,922 S 2/2001 Jackson et al.
Raut, Maharashtra (IN) D451,479 S 12/2001 Bateson et al.
D462,056 S 8/2002 Chung
D463,794 S 10/2002 Hung
D500,755 S 1/2005 Chung
(Continued)

(73) Assignee: **EATON INTELLIGENT POWER LIMITED,** Dublin (IE)

(*) Notice: This patent is subject to a terminal disclaimer.

(**) Term: **15 Years**

(21) Appl. No.: **29/759,651**

(22) Filed: **Nov. 24, 2020**

Related U.S. Application Data

- (62) Division of application No. 29/690,488, filed on May 8, 2019, now Pat. No. Des. 913,242, which is a division of application No. 29/572,982, filed on Aug. 2, 2016, now Pat. No. Des. 853,333.
- (51) **LOC (13) Cl.** **13-03**
- (52) **U.S. Cl.**
USPC **D13/133; D13/152**
- (58) **Field of Classification Search**
USPC ... D13/133, 139.1–139.8, 137.1–137.2, 162, D13/177, 168; D10/114.1; D26/26
CPC H01R 13/6581; H01H 9/182
See application file for complete search history.

(56) **References Cited**

U.S. PATENT DOCUMENTS

- D269,431 S * 6/1983 Doyle D13/139.3
- 5,244,397 A 9/1993 Anhalt

OTHER PUBLICATIONS

“Leviton . . .” reference dated Jun. 17, 2021 found by RMS on the internet at: <https://www.amazon.com/Leviton-T5635-W-Delivery-Charger-Tamper-Resistant/dp/B07PTWG5DV>.*

(Continued)

Primary Examiner — Rhea Shields

(74) *Attorney, Agent, or Firm* — Eckert Seamans Cherin & Mellott, LLC

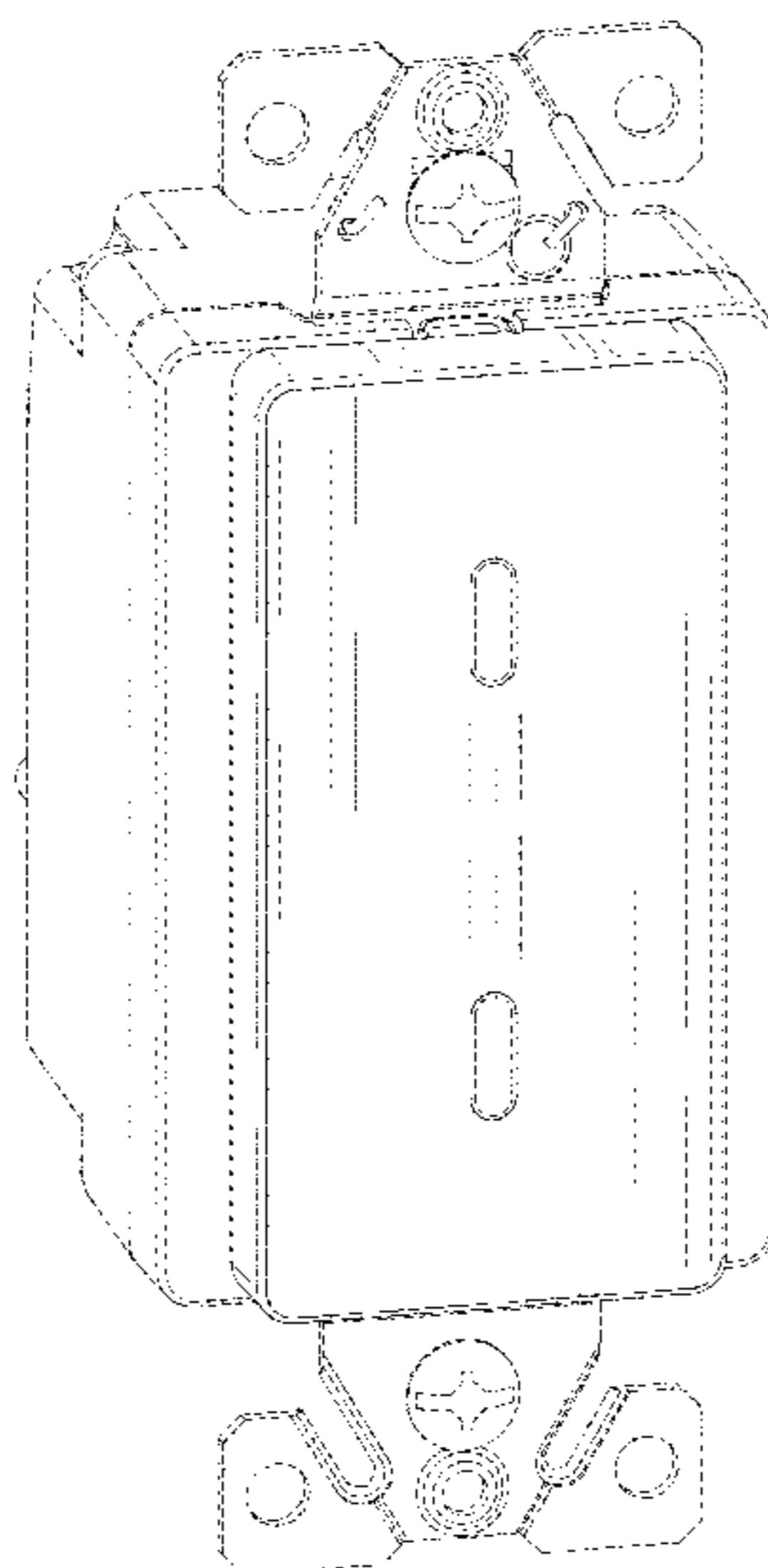
(57) **CLAIM**

The ornamental design for a USB type-C receptacle, as shown and described.

DESCRIPTION

FIG. 1 is an isometric view of the USB type-C receptacle; FIG. 2 is another isometric view of the USB type-C receptacle; FIG. 3 is a front view of the USB type-C receptacle; FIG. 4 is a left side view of the USB type-C receptacle; FIG. 5 is a right side view of the USB type-C receptacle; FIG. 6 is a back view of the USB type-C receptacle; FIG. 7 is a top view of the USB type-C receptacle; and, FIG. 8 is a bottom view of the USB type-C receptacle. In the drawings, the evenly spaced broken lines are for the purpose of illustrating portions of the USB type C receptacle that form no part of the claimed design.

1 Claim, 8 Drawing Sheets



(56)

References Cited

U.S. PATENT DOCUMENTS

D509,214 S * 9/2005 Chung D14/240
 D515,448 S * 2/2006 Nelson D10/114.1
 D542,223 S 5/2007 Bazayev et al.
 D544,840 S 6/2007 Hargreaves et al.
 D545,272 S * 6/2007 Zhang D13/139.3
 D545,764 S 7/2007 Allison
 D553,094 S 10/2007 Pape et al.
 D555,606 S 11/2007 Pape et al.
 D556,694 S 12/2007 Sipe
 D558,683 S 1/2008 Pape et al.
 D562,115 S 2/2008 Michaud et al.
 D571,730 S 6/2008 Kidman
 D579,880 S 11/2008 Birmingham et al.
 D580,740 S 11/2008 Kidman
 7,445,513 B1 11/2008 Lee
 D585,838 S 2/2009 Tiedemann et al.
 D595,229 S * 6/2009 LaGrotta D13/137.2
 D595,664 S 7/2009 Simard et al.
 D599,190 S 9/2009 Huang
 D601,514 S 10/2009 Lin
 7,611,364 B2 11/2009 Kidman
 D638,357 S 5/2011 Sasada et al.
 D645,443 S 9/2011 Maruyama et al.
 D646,954 S 10/2011 Azelton et al.
 D648,270 S 11/2011 Jiang
 D655,267 S 3/2012 Daniel
 D662,885 S 7/2012 Hoffman et al.
 D666,973 S 9/2012 Junko et al.
 8,294,028 B2 10/2012 Huang
 D677,221 S 3/2013 McSweyn
 D680,953 S * 4/2013 Kuo D13/137.2
 D686,159 S 7/2013 Takahashi et al.
 D686,577 S 7/2013 Flagello
 D689,825 S 9/2013 Wenji et al.
 D692,385 S * 10/2013 Dodal D13/139.1
 D692,830 S 11/2013 Junko et al.
 D693,305 S * 11/2013 Kuo D13/137.2
 D693,306 S * 11/2013 Chuang D13/139.1
 D701,830 S 4/2014 Edwards
 D702,635 S 4/2014 Haapaniemi et al.
 D703,139 S 4/2014 Dodal et al.
 D706,732 S * 6/2014 Altonen D13/177
 D709,454 S 7/2014 Takamoto et al.
 D709,463 S 7/2014 Junko et al.
 D714,227 S 9/2014 Buck et al.
 D715,225 S 10/2014 Mininger et al.
 D718,243 S 11/2014 Scholeno
 D719,511 S 12/2014 Dodal et al.
 D719,512 S 12/2014 Roy
 D719,915 S 12/2014 McMahon
 D720,295 S * 12/2014 Dodal D13/139.1
 D721,330 S 1/2015 Byrne et al.
 D721,653 S 1/2015 Lee et al.
 D730,835 S 6/2015 Murphy
 D730,836 S 6/2015 Lee et al.
 D731,432 S 6/2015 Murphy
 D732,719 S 6/2015 Mozdzer
 D733,043 S 6/2015 Hasbrook et al.
 D735,144 S * 7/2015 Restrepo D13/162
 D735,378 S * 7/2015 Mozdzer D26/26
 9,083,180 B2 7/2015 Dodal
 D740,291 S 10/2015 Turksu et al.
 D742,825 S 11/2015 Tsou
 D744,950 S 12/2015 Murphy et al.

D744,952 S 12/2015 Ni
 D751,038 S * 3/2016 Lin D13/137.2
 D754,074 S 4/2016 DeCosta
 D755,128 S 5/2016 Page et al.
 D762,172 S 7/2016 Pignotti
 9,386,718 B2 7/2016 Kusumi et al.
 D762,590 S * 8/2016 Clymer D13/162
 D768,578 S * 10/2016 Restrepo D13/162
 D770,395 S * 11/2016 Clymer D13/168
 D772,879 S 11/2016 Eliyahu
 D775,077 S 12/2016 Xu
 D776,113 S 1/2017 Bierach et al.
 D778,239 S 2/2017 Ni et al.
 D784,930 S 4/2017 Hsu et al.
 D791,714 S 7/2017 Papakos et al.
 D793,339 S 8/2017 Dicks et al.
 D793,343 S 8/2017 Byrne et al.
 D794,575 S 8/2017 Mortun
 D795,195 S 8/2017 Morrison
 D799,423 S 10/2017 Eliyahu
 D799,934 S 10/2017 Poulheim et al.
 D804,429 S 12/2017 Baldwin et al.
 D804,485 S 12/2017 Yang et al.
 D805,479 S 12/2017 Lin
 D810,701 S * 2/2018 Baldwin D13/162
 D812,009 S 3/2018 Hayes et al.
 D812,054 S 3/2018 Bierach et al.
 D813,818 S 3/2018 Ni et al.
 D814,420 S 4/2018 Chen
 D817,885 S 5/2018 Salas
 D820,211 S 6/2018 Salas
 D820,222 S * 6/2018 Clymer D13/168
 D835,587 S 12/2018 Byrne
 10,193,285 B1 1/2019 Satyanarayanan
 D853,333 S 7/2019 Salas
 10,483,679 B1 11/2019 Kadam
 D877,081 S * 3/2020 Salas D13/139.3
 D879,045 S 3/2020 Kadam
 10,584,831 B2 3/2020 Honda
 D883,220 S * 5/2020 Salas D13/139.3
 D883,221 S * 5/2020 Salas D13/139.3
 D884,643 S 5/2020 Kadam
 D887,983 S 6/2020 Altonen
 D913,242 S * 3/2021 Salas D13/133
 2009/0052162 A1 * 2/2009 Richter H01H 9/182
 362/95
 2015/0171562 A1 * 6/2015 Gao H01R 13/6581
 439/345
 2019/0027876 A1 1/2019 Murahari

OTHER PUBLICATIONS

“Radiant 15A . . .” reference dated Jun. 17, 2021 found by RMS on the internet at: <https://www.legrand.us/wiring-devices/outlets-and-receptacles/residential-receptacles/radiant-15a-tamper-resistant-ultra-fast-usb-type-c-c-outlet/p/r26usbcc6w>.
 “Type-C USB Charger,” found on the Internet on Jan. 14, 2018 by RMS at <https://www.topgreener.com/topgreener-type-c-usb-charger-outlet-4-8a-24w-with-15a-tamper-resistant-duples-receptacle.html>, Jan. 4, 2018, 1 p.
 “Type-C USB Charger,” found on the internet on Jan. 14, 2018 by RMS at <https://www.topgreener.com/type-c-usb-charger-outlet-quick-charge-3-0-.html>, Jan. 4, 2018, 1 p.

* cited by examiner

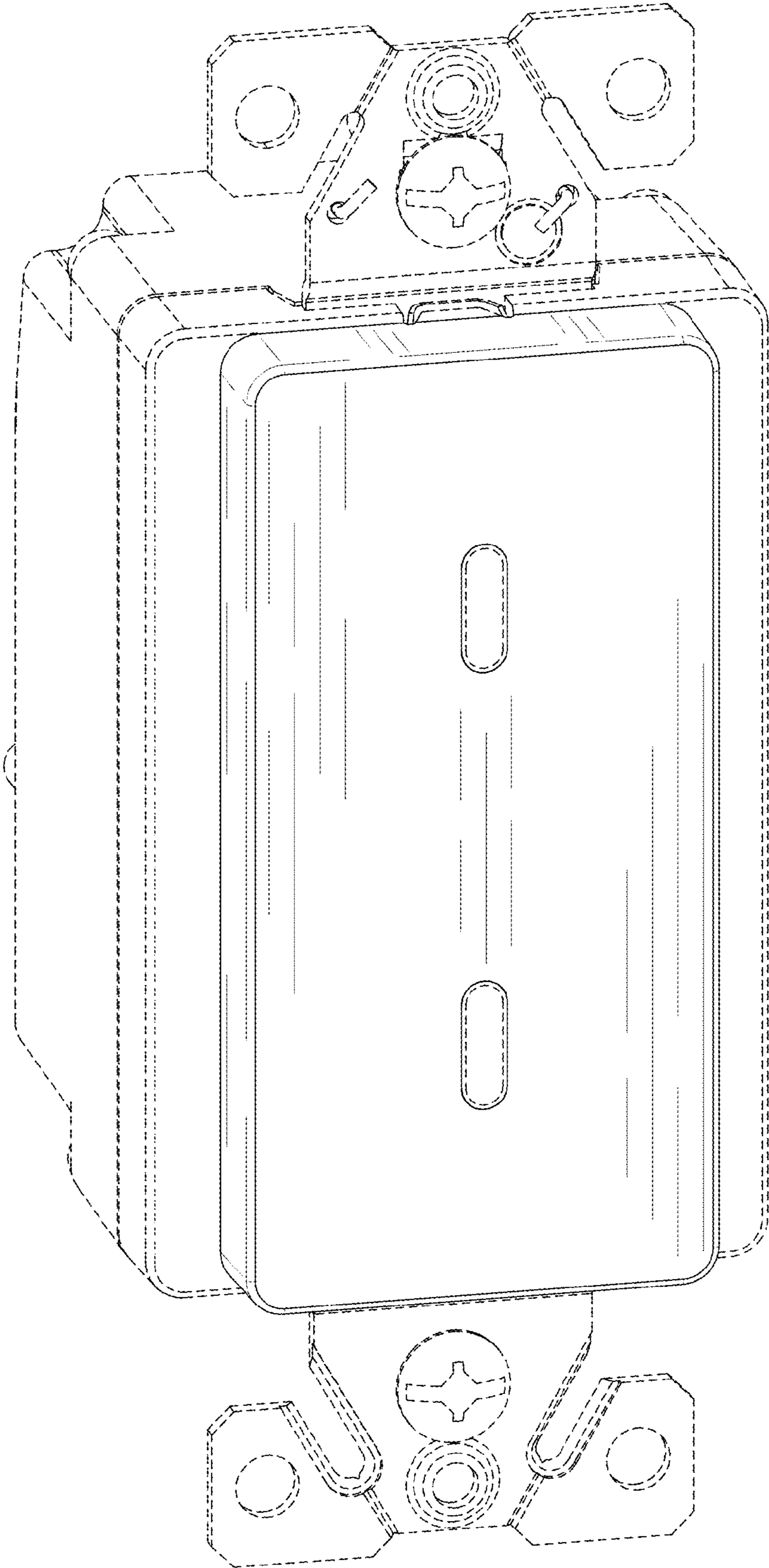


FIG.1

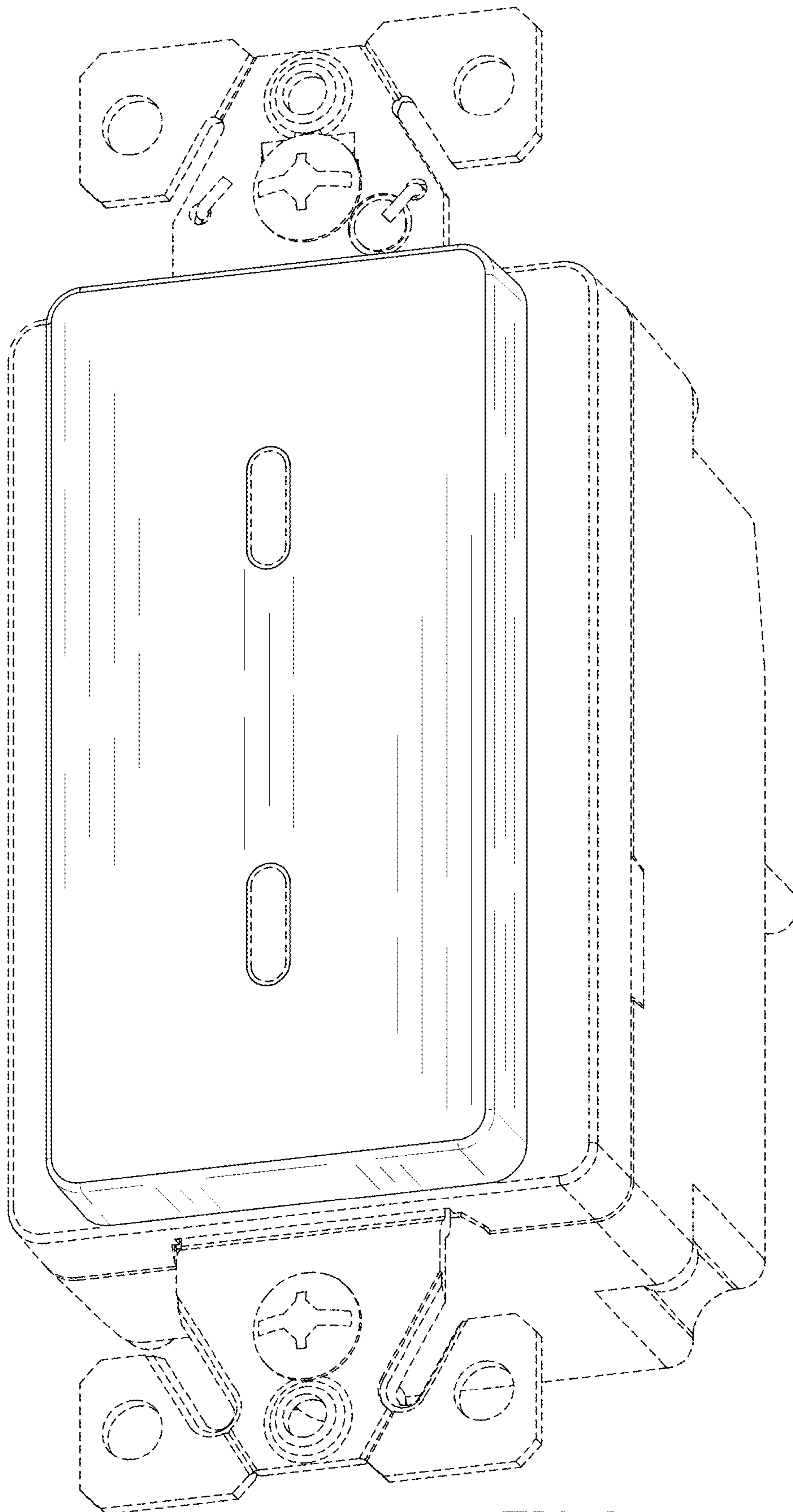


FIG. 2

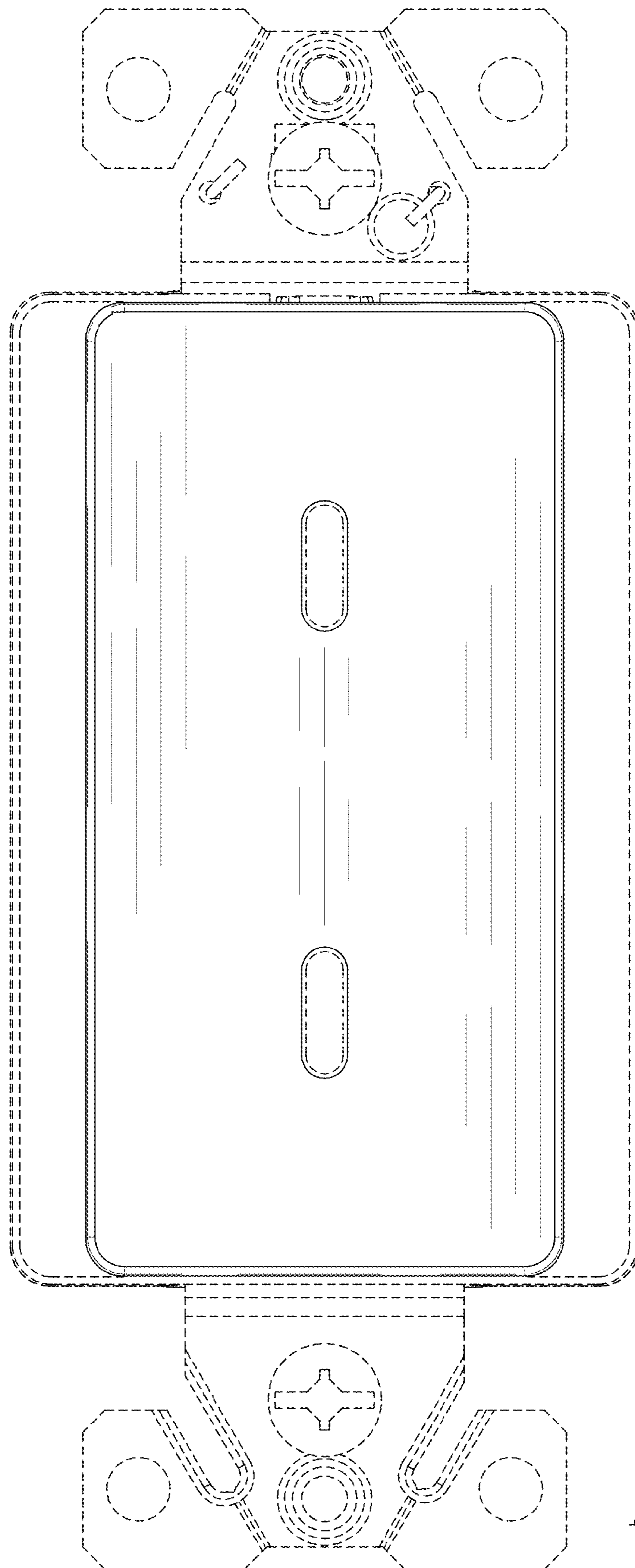


FIG. 3

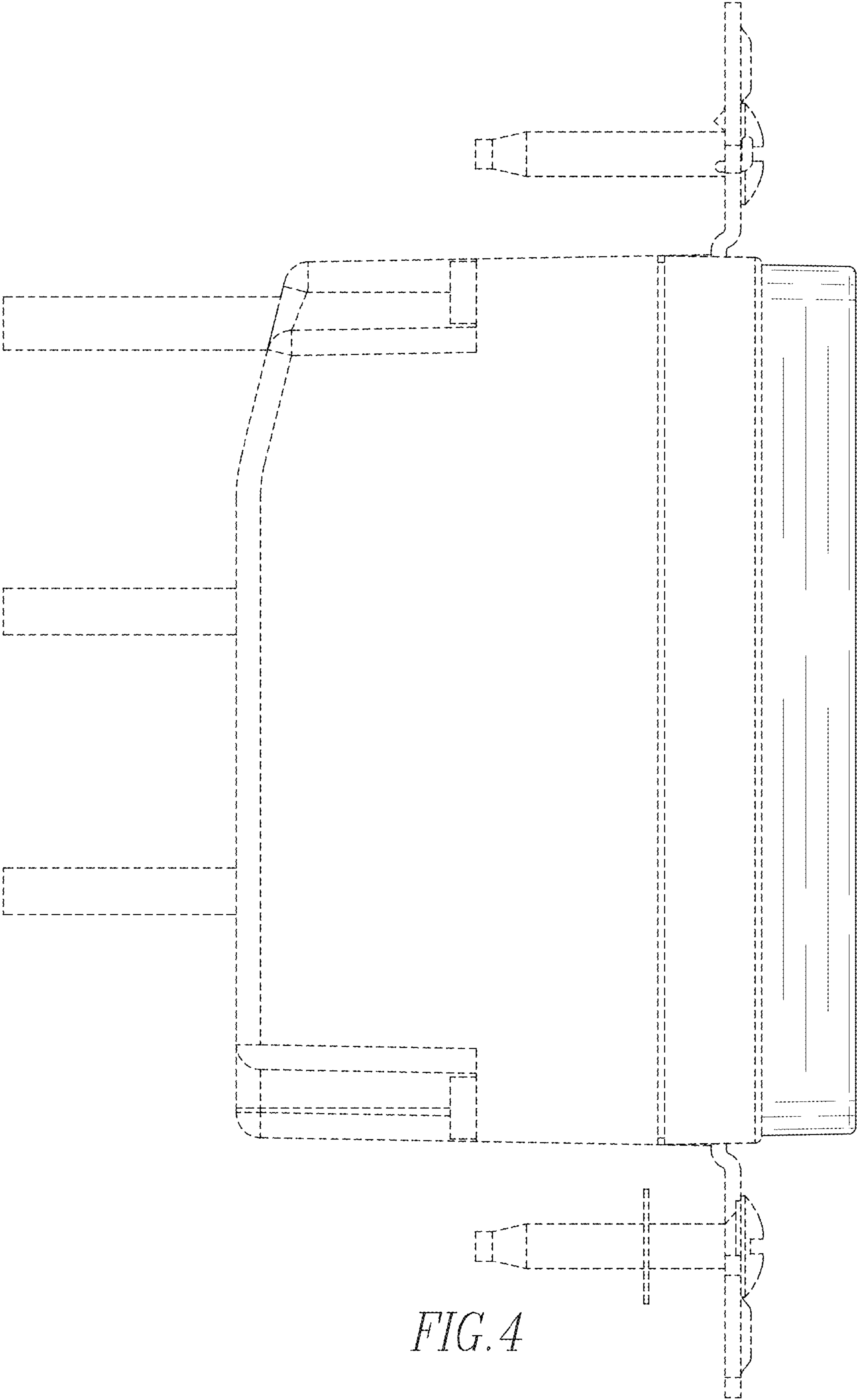


FIG. 4

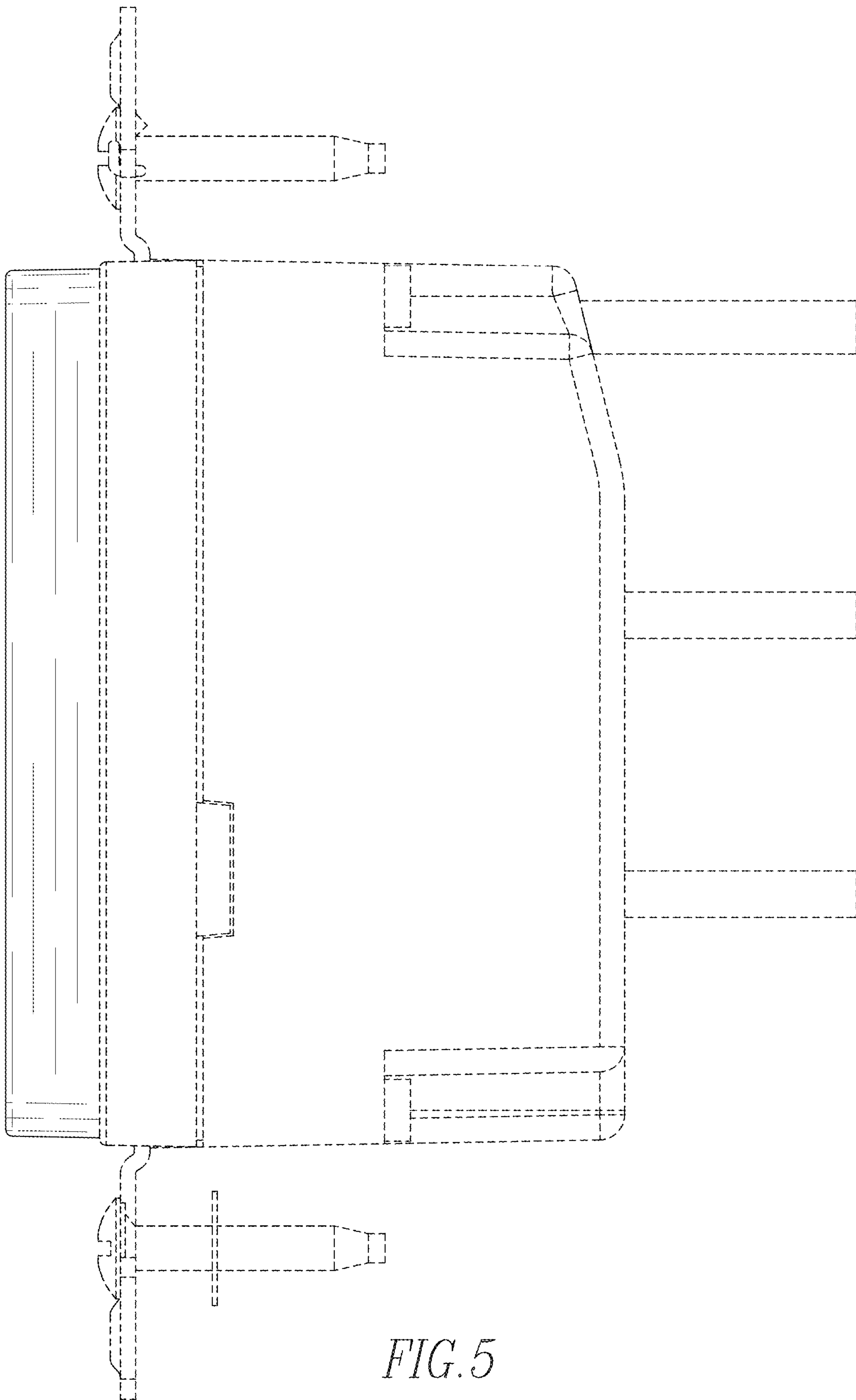


FIG. 5

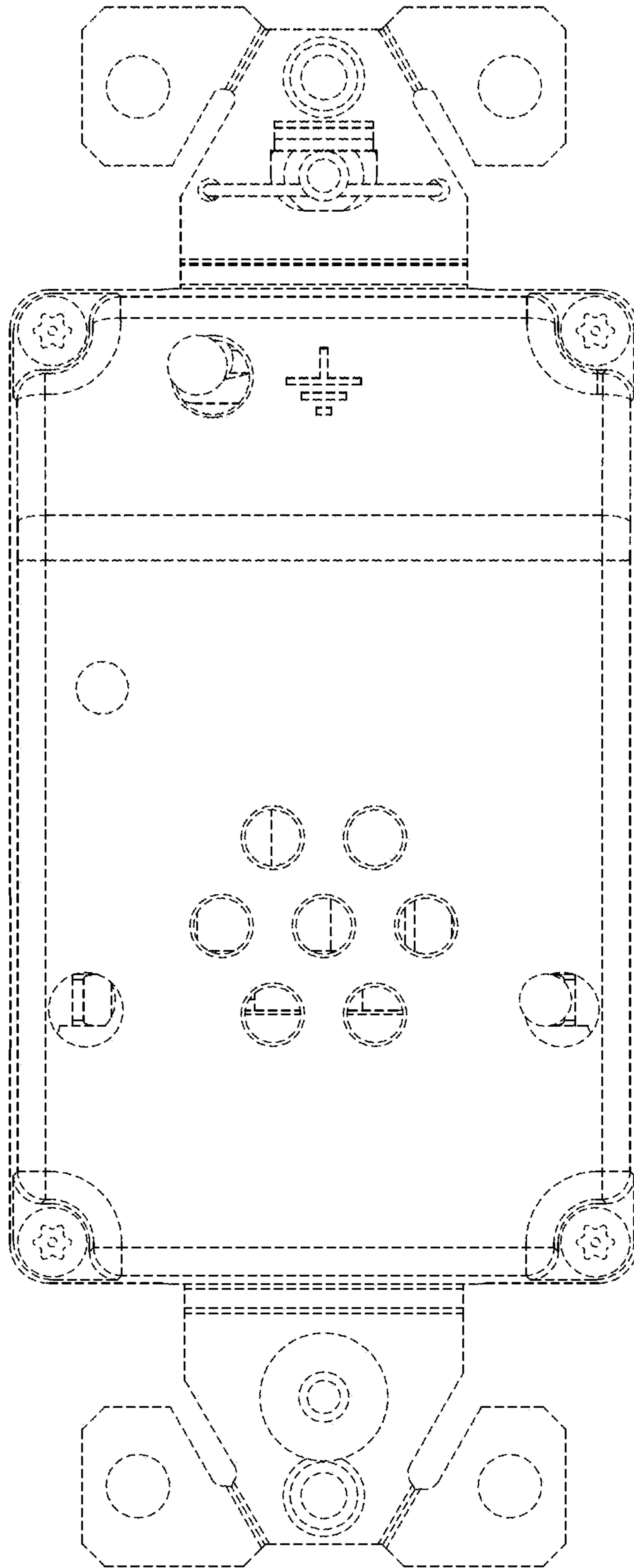


FIG. 6

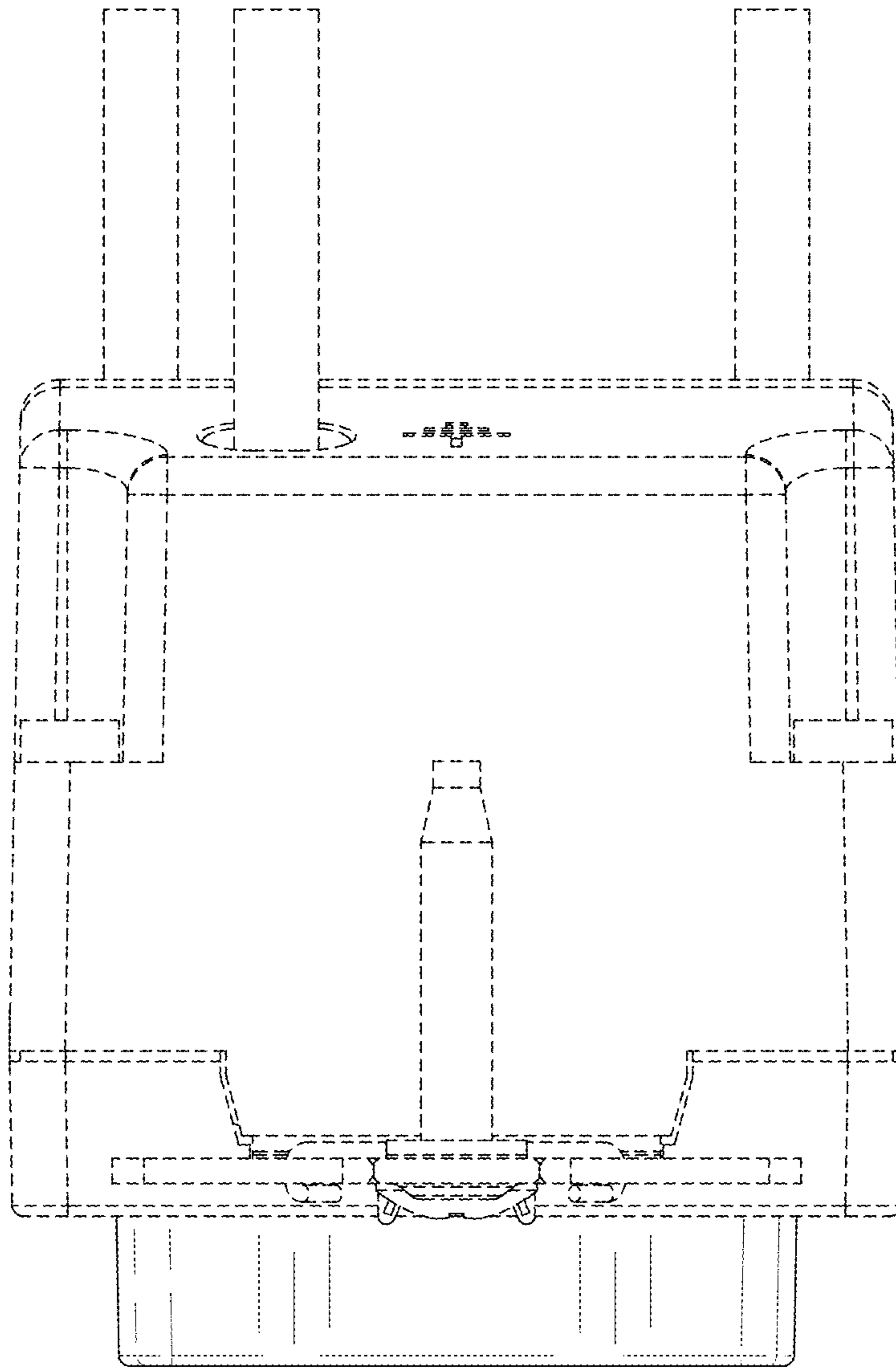


FIG. 7

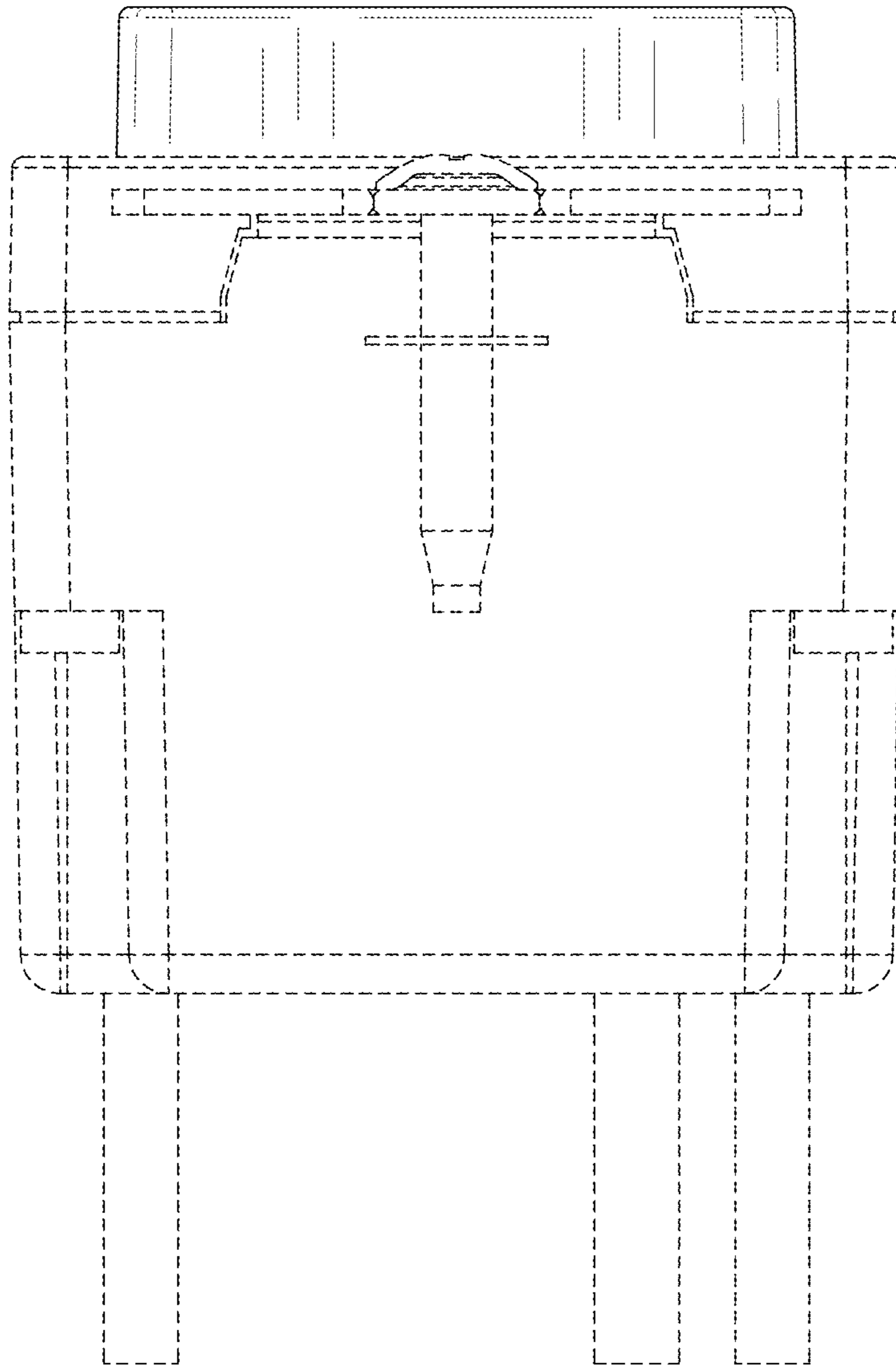


FIG. 8