



US00D938909S

(12) **United States Design Patent**
Yuan

(10) **Patent No.:** **US D938,909 S**

(45) **Date of Patent:** **** Dec. 21, 2021**

(54) **WALL CHARGER**

(71) Applicant: **Yuecheng Yuan**, Shenzhen (CN)

(72) Inventor: **Yuecheng Yuan**, Shenzhen (CN)

(**) Term: **15 Years**

(21) Appl. No.: **29/765,255**

(22) Filed: **Jan. 7, 2021**

(51) **LOC (13) Cl.** **13-02**

(52) **U.S. Cl.**
USPC **D13/108**

(58) **Field of Classification Search**
USPC D13/103, 107–110, 118–119, 184, 199,
D13/137.1–137.4, 138.1–138.2; D14/251,
D14/253, 432, 434

CPC H02J 7/025; H02J 7/005; H02J 7/0026;
H02J 7/0042; H02J 7/0044; H02J 7/0045;
H02J 7/0013; H02J 7/0003; H02J 7/02

See application file for complete search history.

(56) **References Cited**

U.S. PATENT DOCUMENTS

D610,992 S *	3/2010	Fahrendorff	D13/138.1
D610,993 S *	3/2010	Fahrendorff	D13/138.1
D617,275 S *	6/2010	Fahrendorff	D13/138.1
D627,729 S *	11/2010	Smith	D13/138.1
D642,524 S *	8/2011	Fitch	D13/110
D653,208 S *	1/2012	Au	D13/108
D653,614 S *	2/2012	Au	D13/108
D655,243 S *	3/2012	Au	D13/108
D693,764 S *	11/2013	Man	D13/108
D734,260 S *	7/2015	Cypress	D13/110
D735,130 S *	7/2015	Huang	D13/108
D741,257 S *	10/2015	Sumida	D13/108
D804,412 S *	12/2017	Huang	D13/108
D834,516 S *	11/2018	Jin	D13/108
D860,952 S *	9/2019	Akana	D13/147
D875,040 S	2/2020	Stern et al.		

D879,711 S *	3/2020	Ruiwu	D13/108
D879,712 S *	3/2020	Fan	D13/108
D885,335 S *	5/2020	Deng	D13/108
D885,336 S *	5/2020	Deng	D13/108
D892,736 S *	8/2020	Jin	D13/108
D892,737 S *	8/2020	Yuan	D13/110
D900,738 S *	11/2020	Liu	D13/108
D901,383 S *	11/2020	Pang	D13/110
D903,589 S *	12/2020	Akana	D13/110

OTHER PUBLICATIONS

“USB C Charger, Anker 20W PIQ 3.0 Fast Charger with Foldable Plug, PowerPort III Charger”, Amazon.com, First available: Jan. 15, 2021. Retrieved from the internet at: <https://www.amazon.com/Charger-Anker-Foldable-PowerPort-Included/dp/B08T67HDH1/ref=sr_1_30?dchild=1&keywords=wall+charger&qid=1632871899&sr=8-30>.*

(Continued)

Primary Examiner — Rosemary K Tarcza

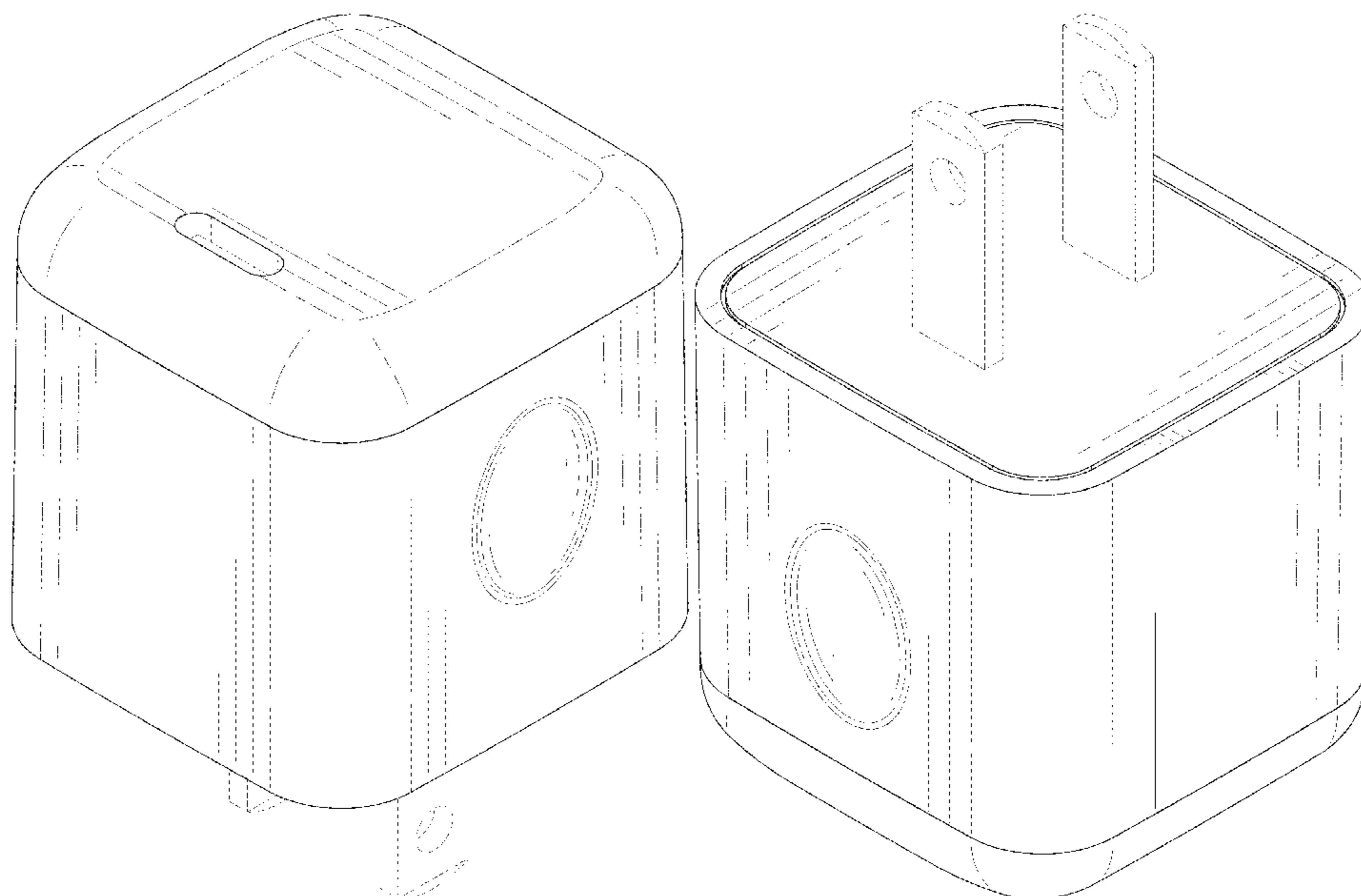
(57) **CLAIM**

The ornamental design for a wall charger, as shown and described.

DESCRIPTION

FIG. 1 is a front and top perspective view of a wall charger, showing my new design;
FIG. 2 is a rear and bottom perspective view thereof;
FIG. 3 is a front elevation view thereof;
FIG. 4 is a rear elevation view thereof;
FIG. 5 is a left side elevation view thereof;
FIG. 6 is a right side elevation view thereof;
FIG. 7 is a top plan view thereof; and,
FIG. 8 is a bottom plan view thereof.
FIG. 9 The broken lines in the figures illustrate portions of the wall charger that form no part of the claimed design.

1 Claim, 8 Drawing Sheets



(56)

References Cited

OTHER PUBLICATIONS

“iPhone 13 12 Fast Charger, Wall Charger Quick charging 20W USB Plug Adapter with 6FT Type C to Lightning Cable”, Amazon.com, First available: May 4, 2020. Retrieved from the internet at: <https://www.amazon.com/Charger-charging-Lightning-Certified-Compatible/dp/B092HYM149/ref=sr_1_83?dchild=1&keywords=usb+fast+charger&qid=1632872930&sr=8-83>.*

* cited by examiner

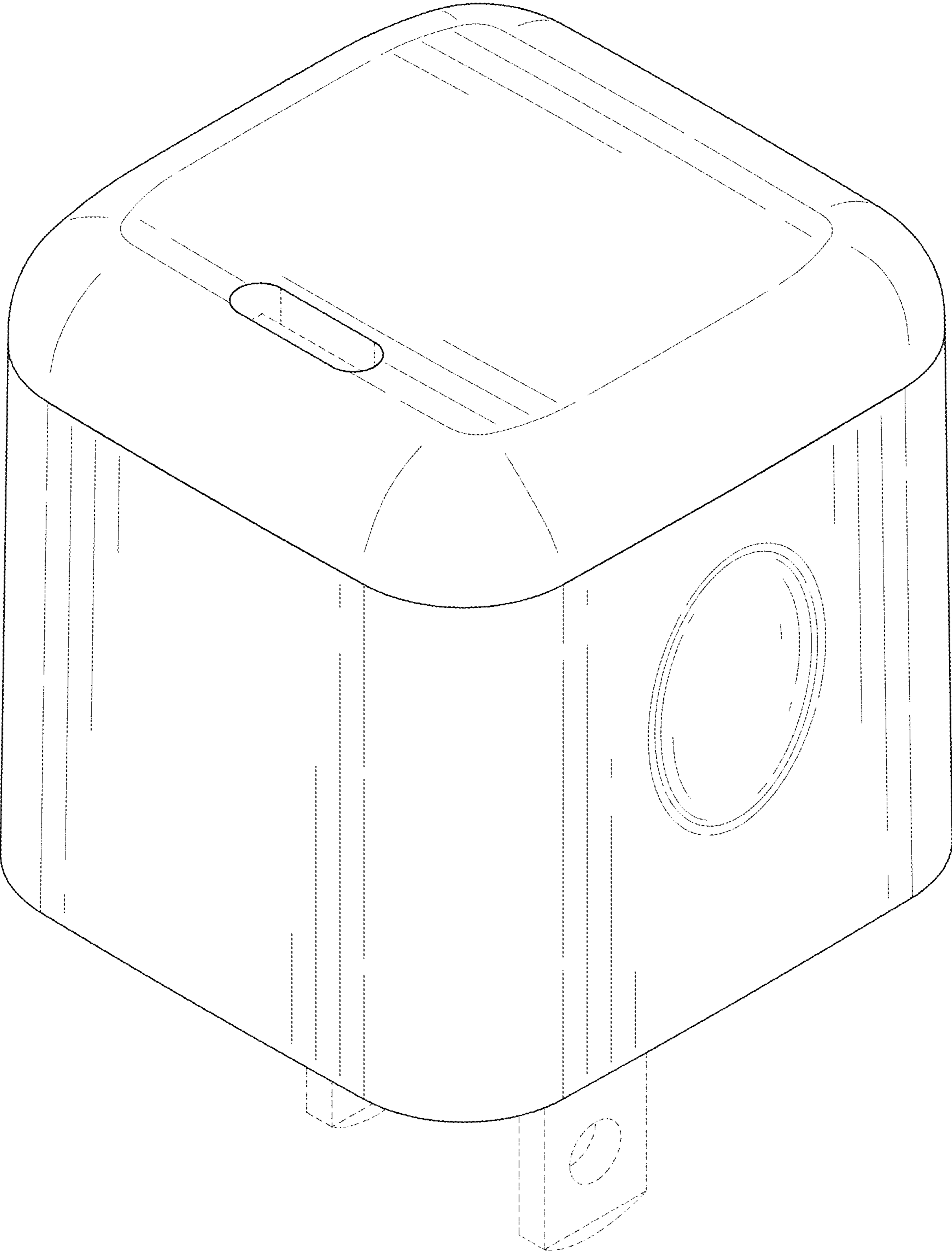


FIG. 1

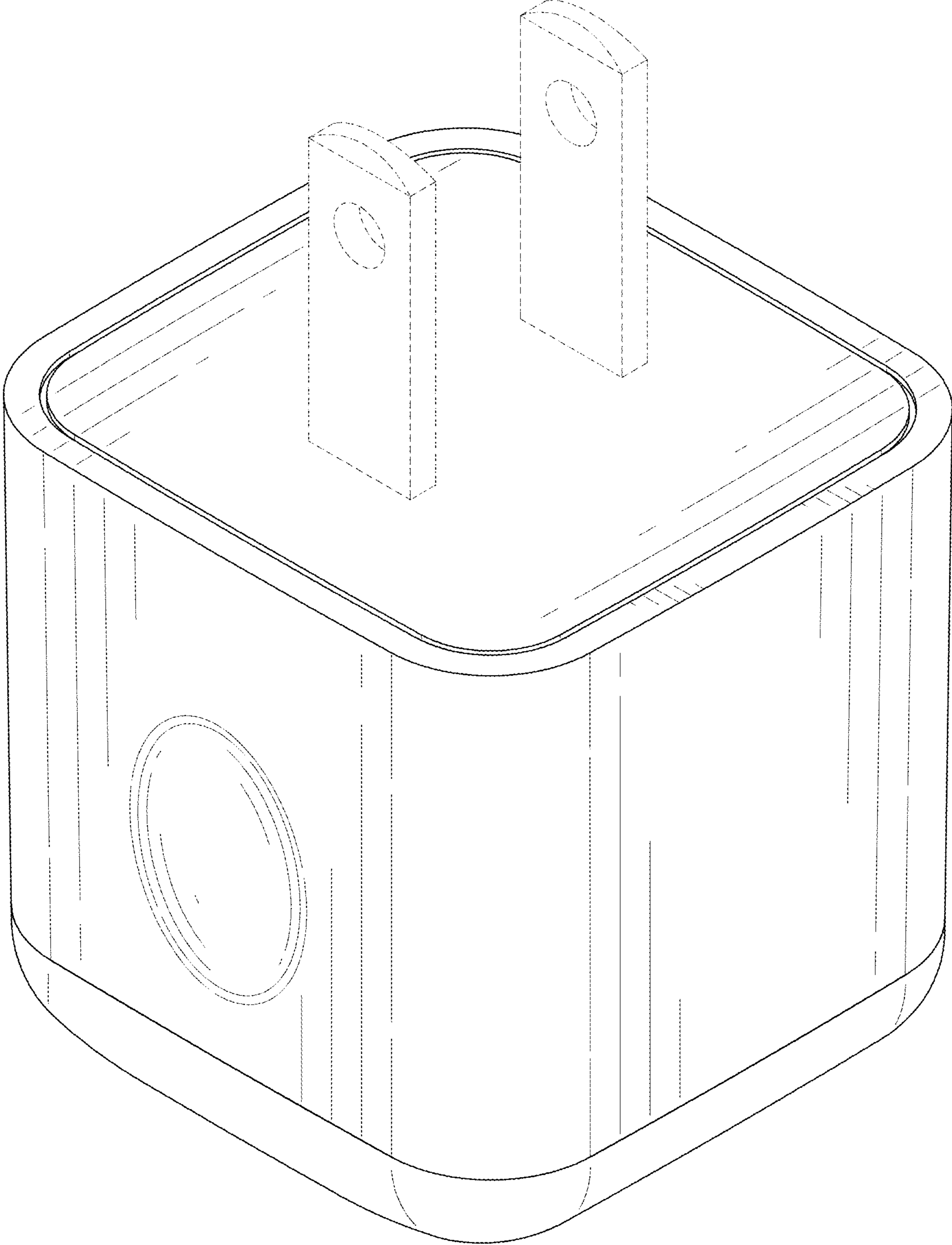


FIG. 2

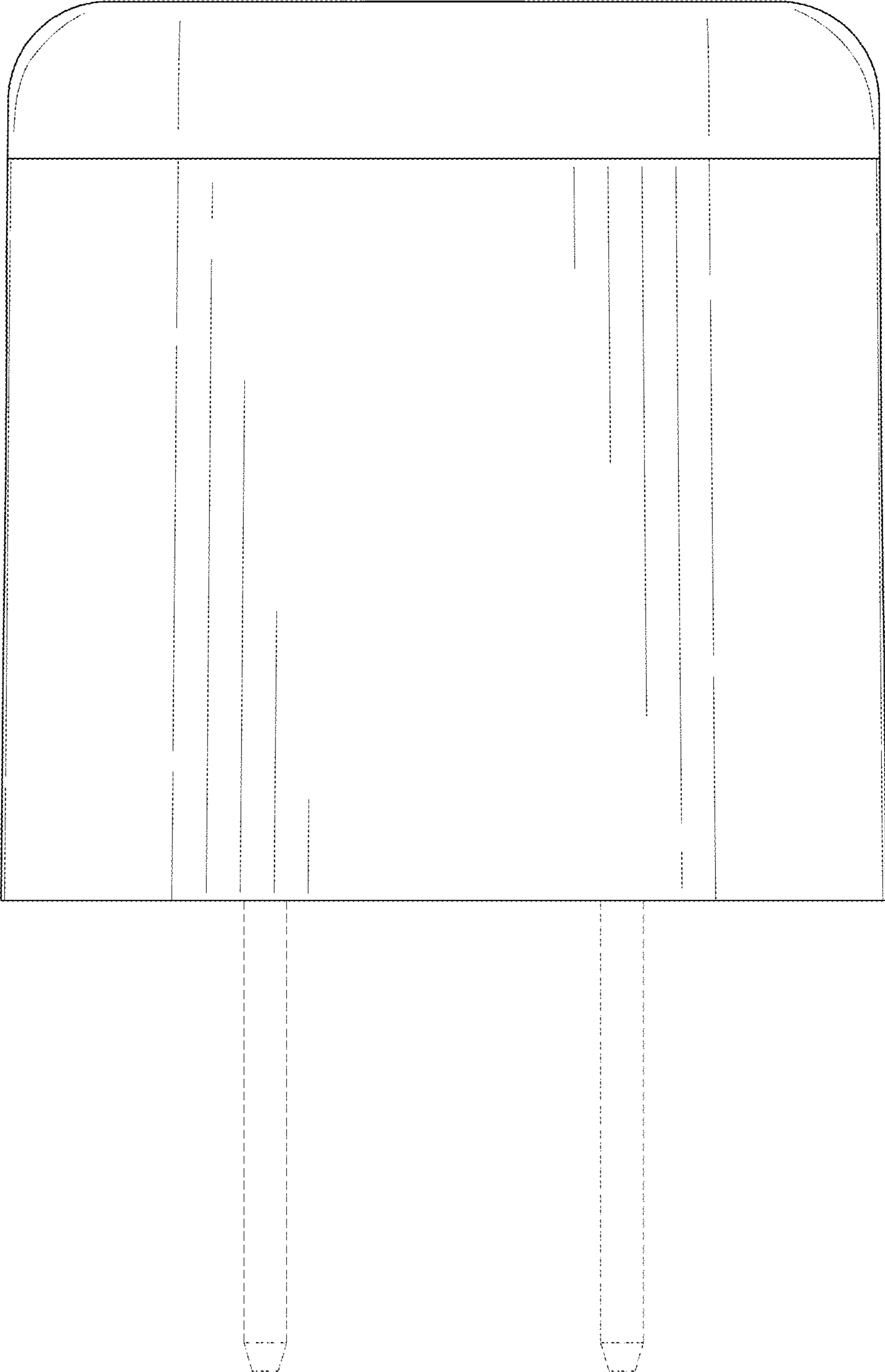


FIG. 3

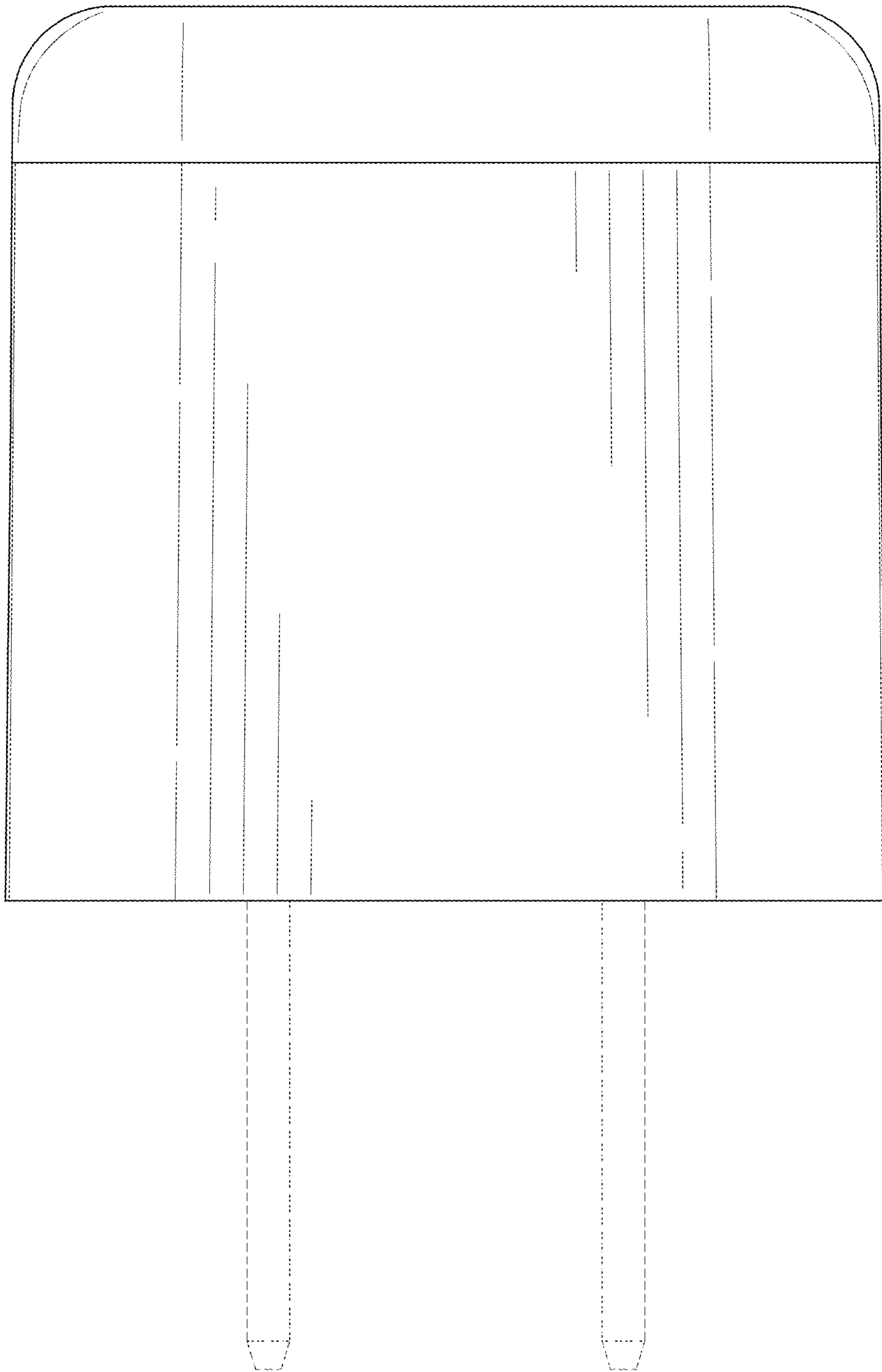


FIG. 4

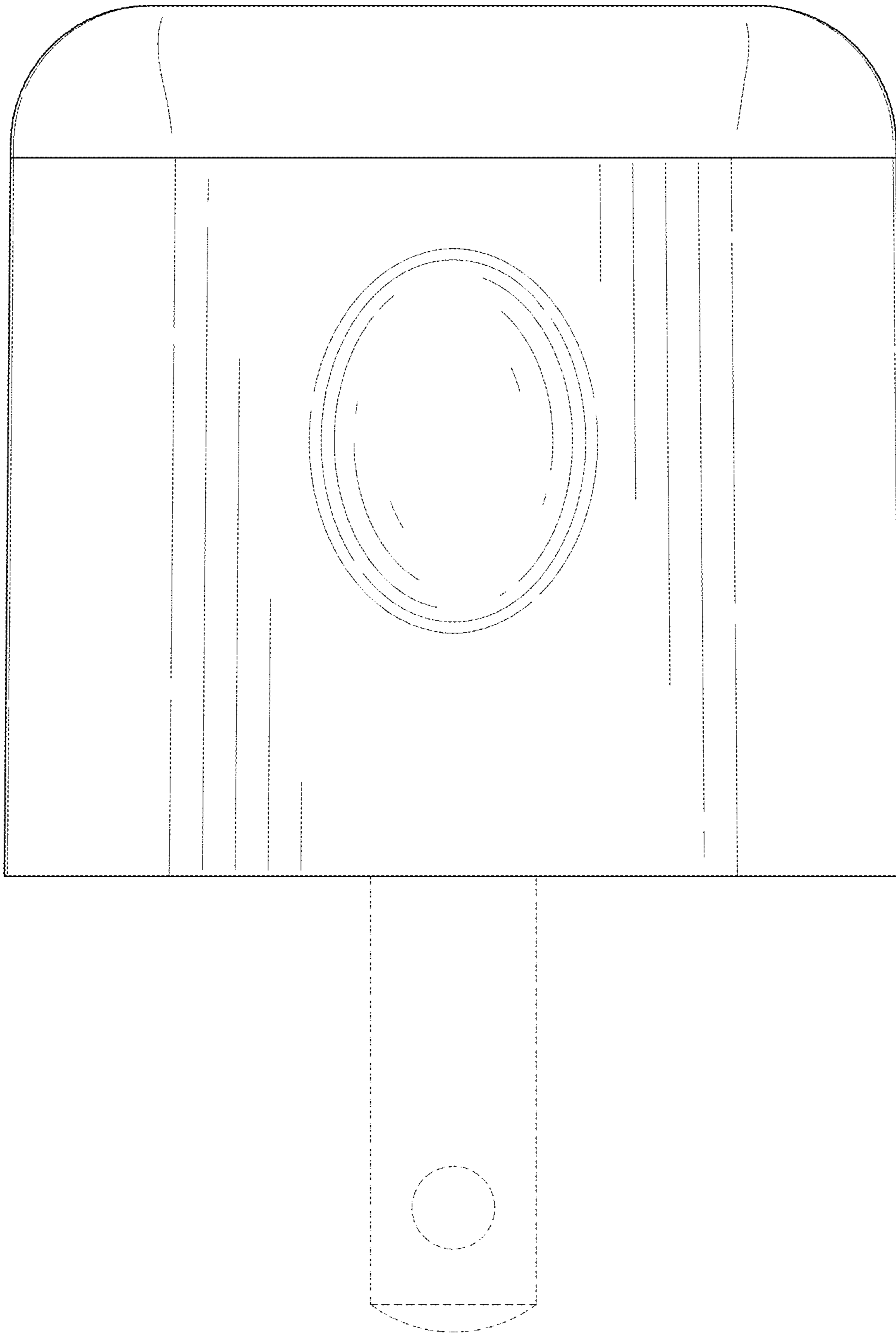


FIG. 5

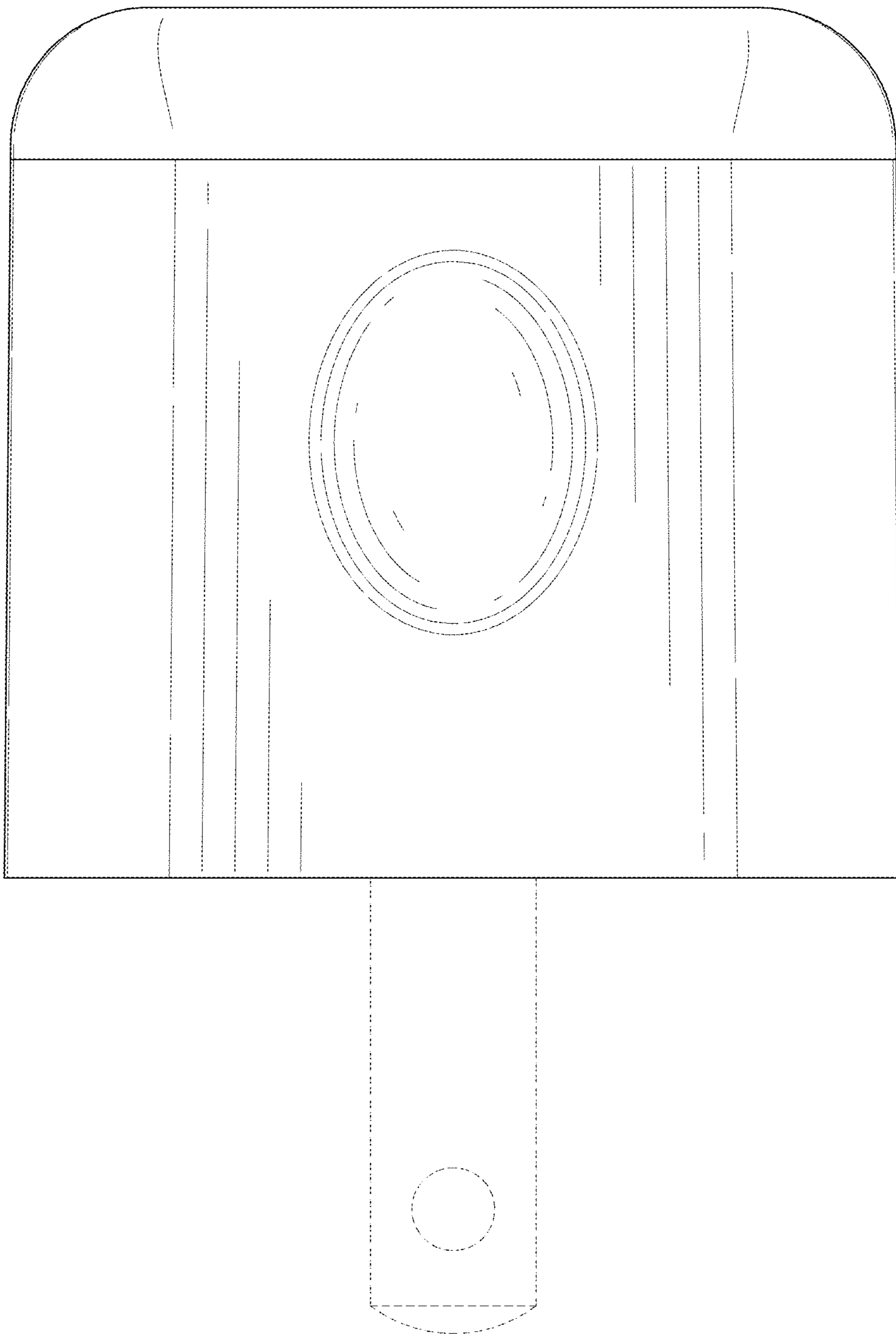


FIG. 6

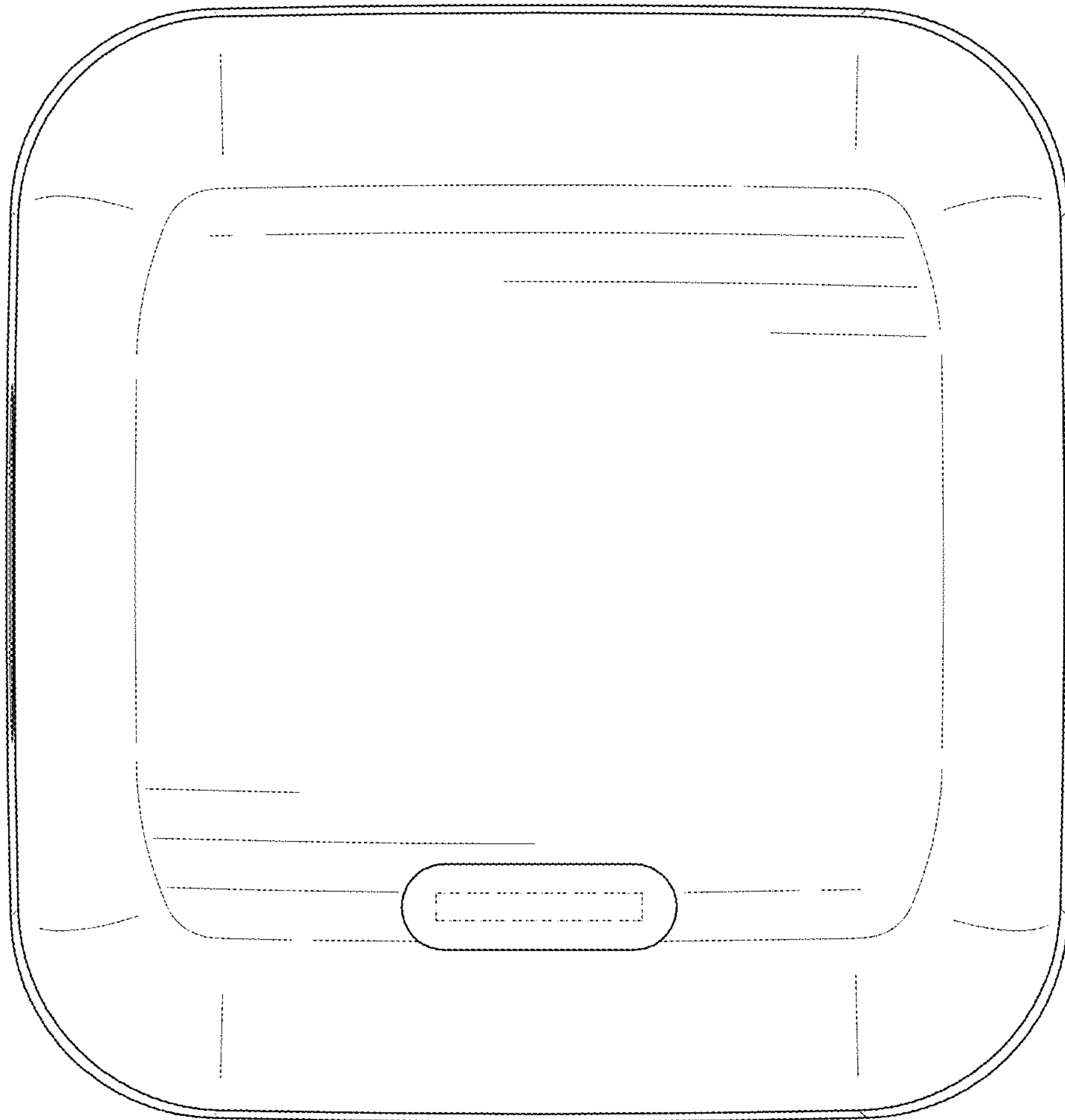


FIG. 7

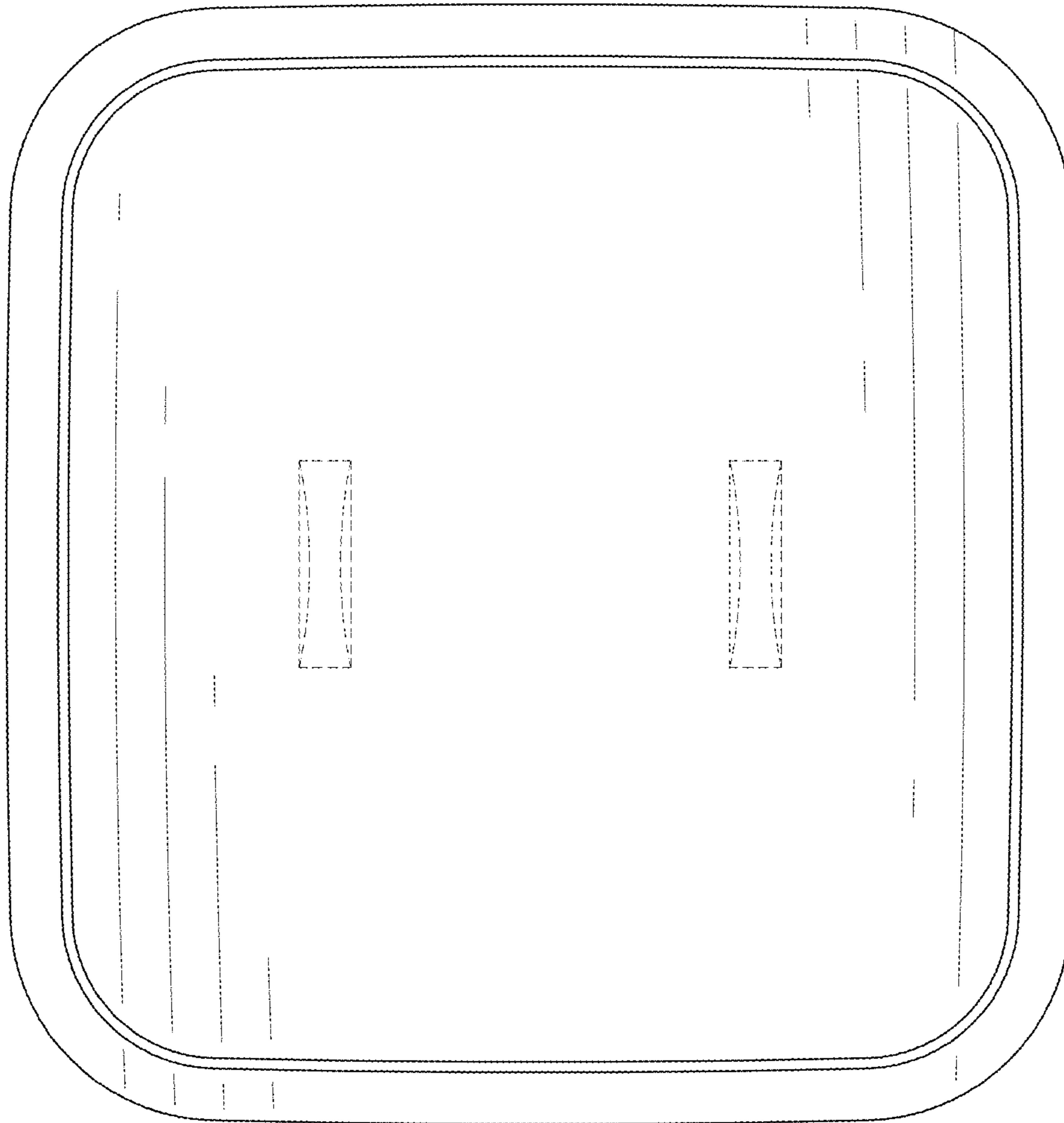


FIG. 8