



US00D938905S

(12) **United States Design Patent**  
**Jarvis et al.**

(10) **Patent No.:** **US D938,905 S**

(45) **Date of Patent:** **\*\* Dec. 21, 2021**

(54) **BATTERY FOR AN ELECTRONIC DEVICE**

(71) Applicant: **Apple Inc.**, Cupertino, CA (US)

(72) Inventors: **Daniel W. Jarvis**, Sunnyvale, CA (US);  
**Andrew U. Leopold**, San Francisco,  
CA (US); **Ian A. Spraggs**, San  
Francisco, CA (US); **Gregory Nicolaus  
Stephens**, San Jose, CA (US)

(73) Assignee: **Apple Inc.**, Cupertino, CA (US)

(\*\*) Term: **15 Years**

(21) Appl. No.: **29/691,263**

(22) Filed: **May 15, 2019**

(51) **LOC (13) Cl.** ..... **13-02**

(52) **U.S. Cl.**  
USPC ..... **D13/103**

(58) **Field of Classification Search**  
USPC ..... D13/102, 103, 107, 108, 110, 112, 113,  
D13/118, 119, 184, 199

CPC ..... Y02T 10/7005; Y02T 10/705; Y02T  
10/7088; H02J 7/025; H02J 7/0042; H02J  
7/0044; H02J 7/0045; H02J 7/0003; H01F  
38/14; H01M 2/02; H01M 2/022; H01M  
2/0202; H01M 2/0207; H01M 2/0212;  
H01M 2/1061; H01M 2/1022; H01M  
2/1055; H01M 2/1066; H01M 2/105;  
H01M 2/204; Y02E 60/12; Y02E 60/122;  
Y02E 60/124; Y02E 60/50

See application file for complete search history.

(56) **References Cited**

**U.S. PATENT DOCUMENTS**

D337,984 S 8/1993 Lindahl  
6,884,540 B2 4/2005 Chikada  
D546,277 S 7/2007 Andre et al.  
7,871,720 B2 1/2011 Myers et al.

D669,427 S \* 10/2012 Ignor ..... D13/103  
D684,531 S \* 6/2013 Moon ..... D13/103  
D686,147 S \* 7/2013 Morisawa ..... D13/103  
D686,148 S \* 7/2013 Inaba ..... D13/103  
D686,152 S \* 7/2013 Lee ..... D13/103  
D689,018 S \* 9/2013 Honda ..... D13/103  
D693,292 S \* 11/2013 Salvi ..... D13/103  
D708,128 S 7/2014 Andre et al.  
D711,311 S \* 8/2014 Corbin ..... D13/103  
D719,085 S \* 12/2014 Aoyagi ..... D13/103  
D719,087 S \* 12/2014 Bataillou ..... D13/103  
D729,805 S 5/2015 Bataillou et al.  
D739,349 S \* 9/2015 Takahashi ..... D13/118  
D758,961 S 6/2016 Aoyagi et al.  
D763,791 S \* 8/2016 Park ..... D13/108  
D765,625 S 9/2016 Akana et al.  
D768,566 S 10/2016 Andre et al.  
D793,958 S \* 8/2017 Rautiainen ..... D13/108  
D806,015 S \* 12/2017 Park ..... D13/103

(Continued)

*Primary Examiner* — Christy Nemeth

(74) *Attorney, Agent, or Firm* — Sterne, Kessler,  
Goldstein & Fox P.L.L.C.

(57) **CLAIM**

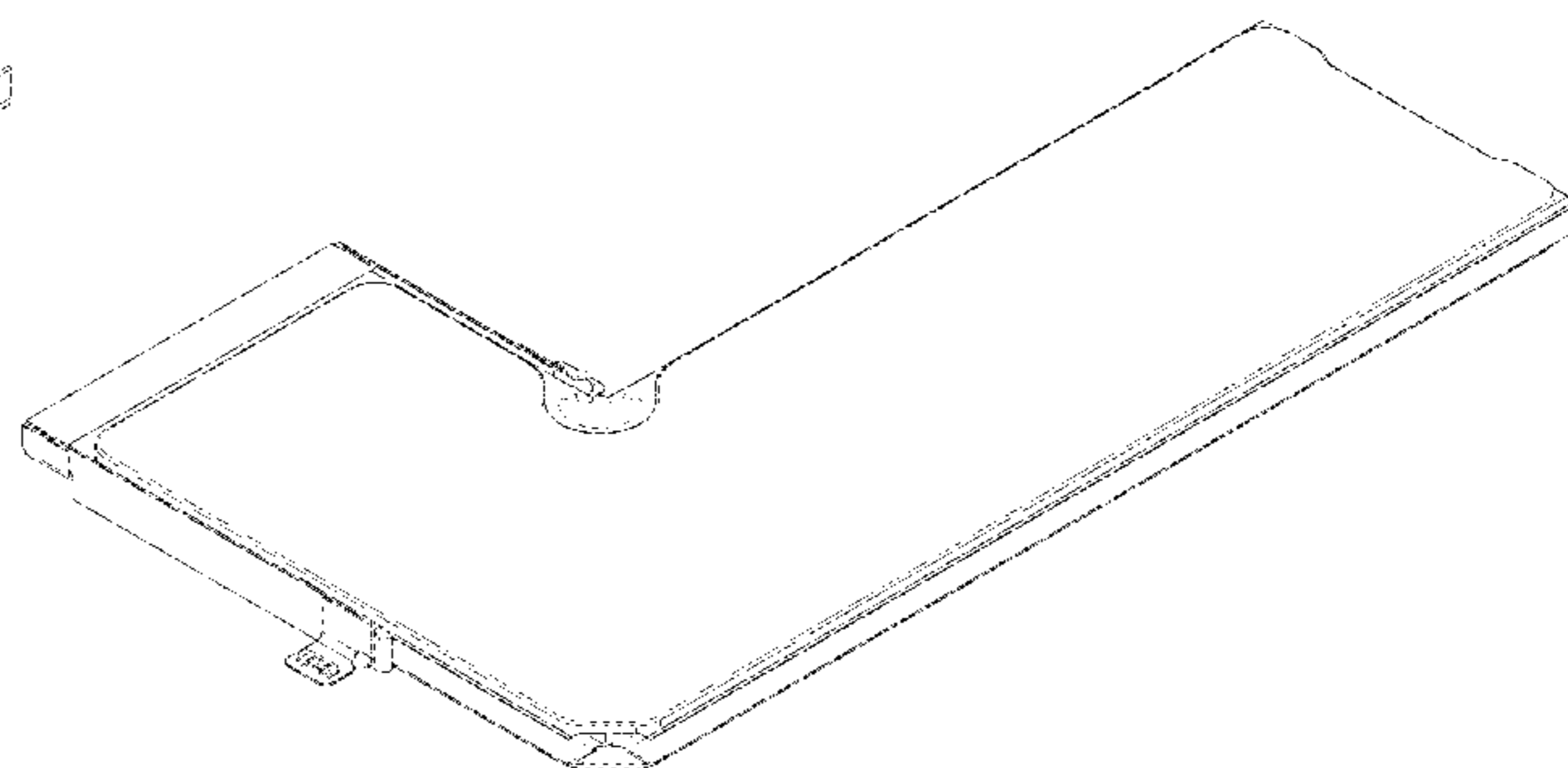
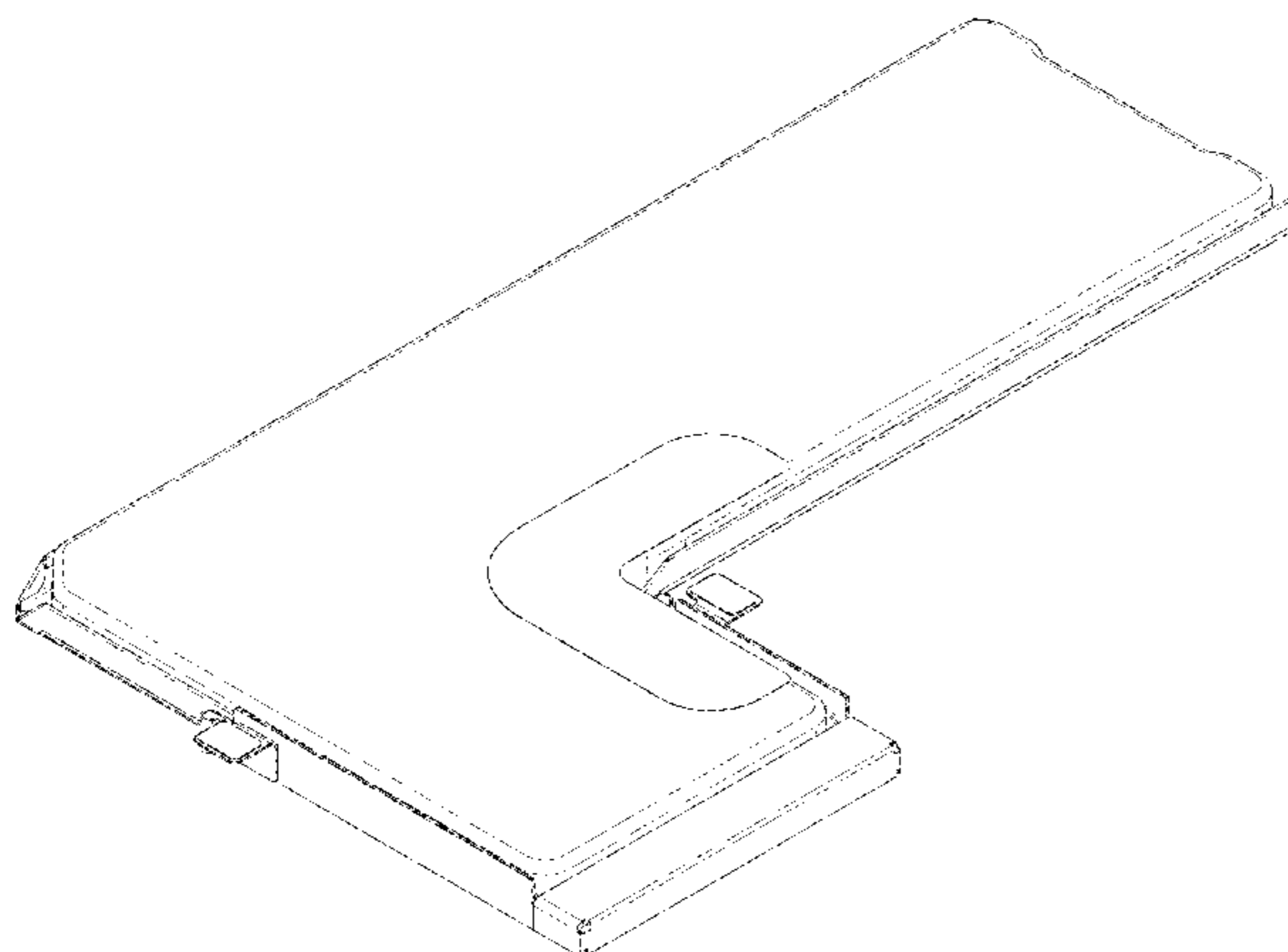
The ornamental design for a battery for an electronic device,  
as shown and described.

**DESCRIPTION**

FIG. 1 is a bottom front perspective view of a battery for an  
electronic device showing the claimed design;  
FIG. 2 is a bottom rear perspective view thereof;  
FIG. 3 is a front view thereof;  
FIG. 4 is a rear view thereof;  
FIG. 5 is a left side view thereof;  
FIG. 6 is a right side view thereof;  
FIG. 7 is a top view thereof; and,  
FIG. 8 is a bottom view thereof.

The broken lines in the figures show portions of the battery  
for an electronic device that form no part of the claimed  
design.

**1 Claim, 6 Drawing Sheets**



(56)

**References Cited**

U.S. PATENT DOCUMENTS

D810,011	S	*	2/2018	Nelson	.....	H01M 10/425	
							D13/103
D818,434	S	*	5/2018	Doiron	.....	D13/108	
D821,308	S	*	6/2018	Chia	.....	D13/108	
D830,964	S	*	10/2018	Aoyagi	.....	D13/103	
D835,036	S	*	12/2018	Dunham	.....	D13/108	
D843,934	S	*	3/2019	Tan	.....	D13/103	
D859,304	S	*	9/2019	Wang	.....	D13/102	
D865,668	S	*	11/2019	Roberts	.....	D13/108	
D877,068	S	*	3/2020	Wang	.....	D13/108	
D883,204	S	*	5/2020	Narayana Bhat	.....	D13/108	
D906,234	S	*	12/2020	Bigdeli	.....	D13/103	
D906,235	S	*	12/2020	Liu	.....	D13/103	
D910,545	S	*	2/2021	Dinh	.....	D13/103	
2014/0199575	A1		7/2014	Ryu et al.			
2015/0017514	A1		1/2015	Ahn et al.			
2016/0049696	A1		2/2016	Choi et al.			

\* cited by examiner

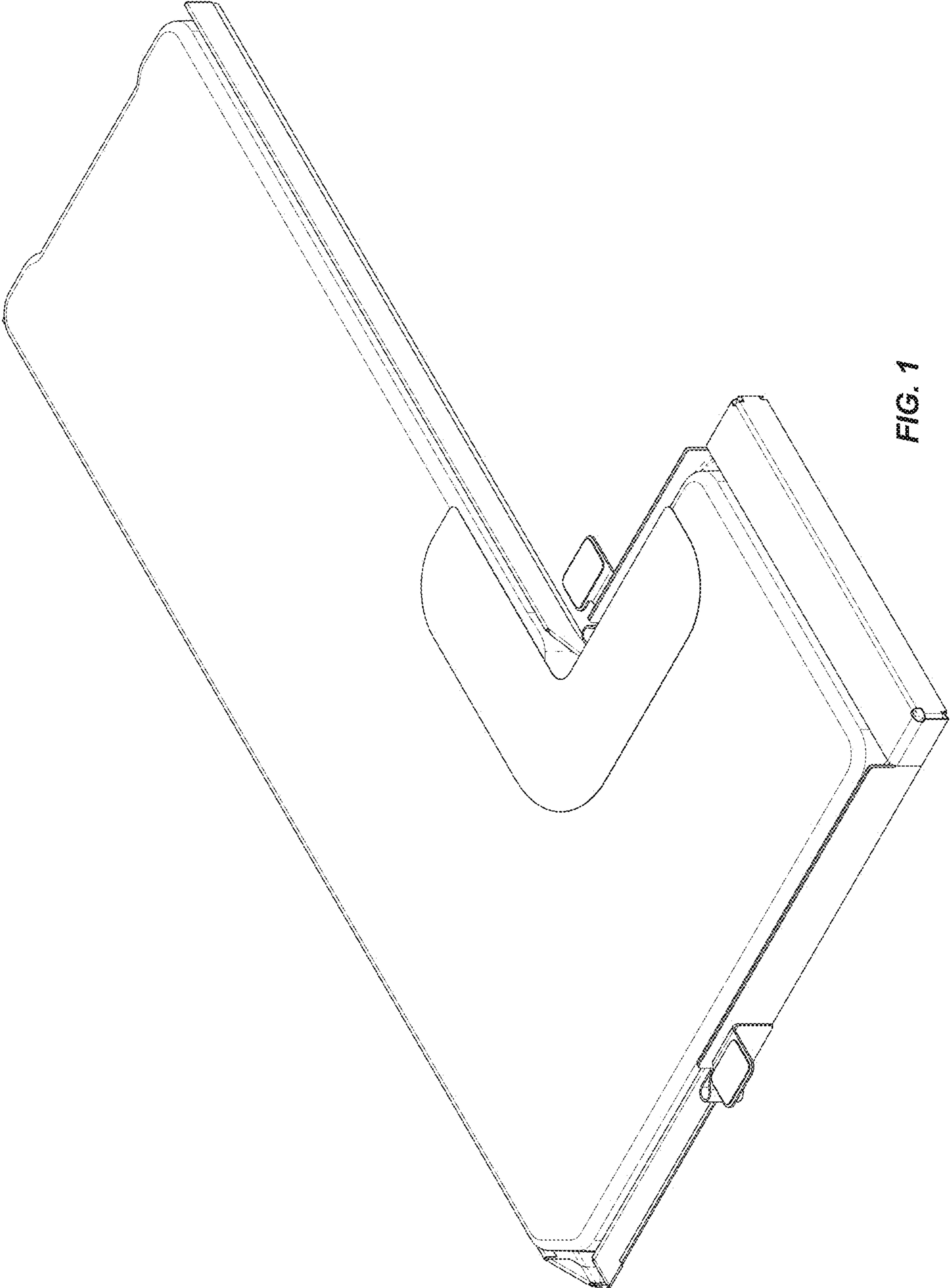


FIG. 1

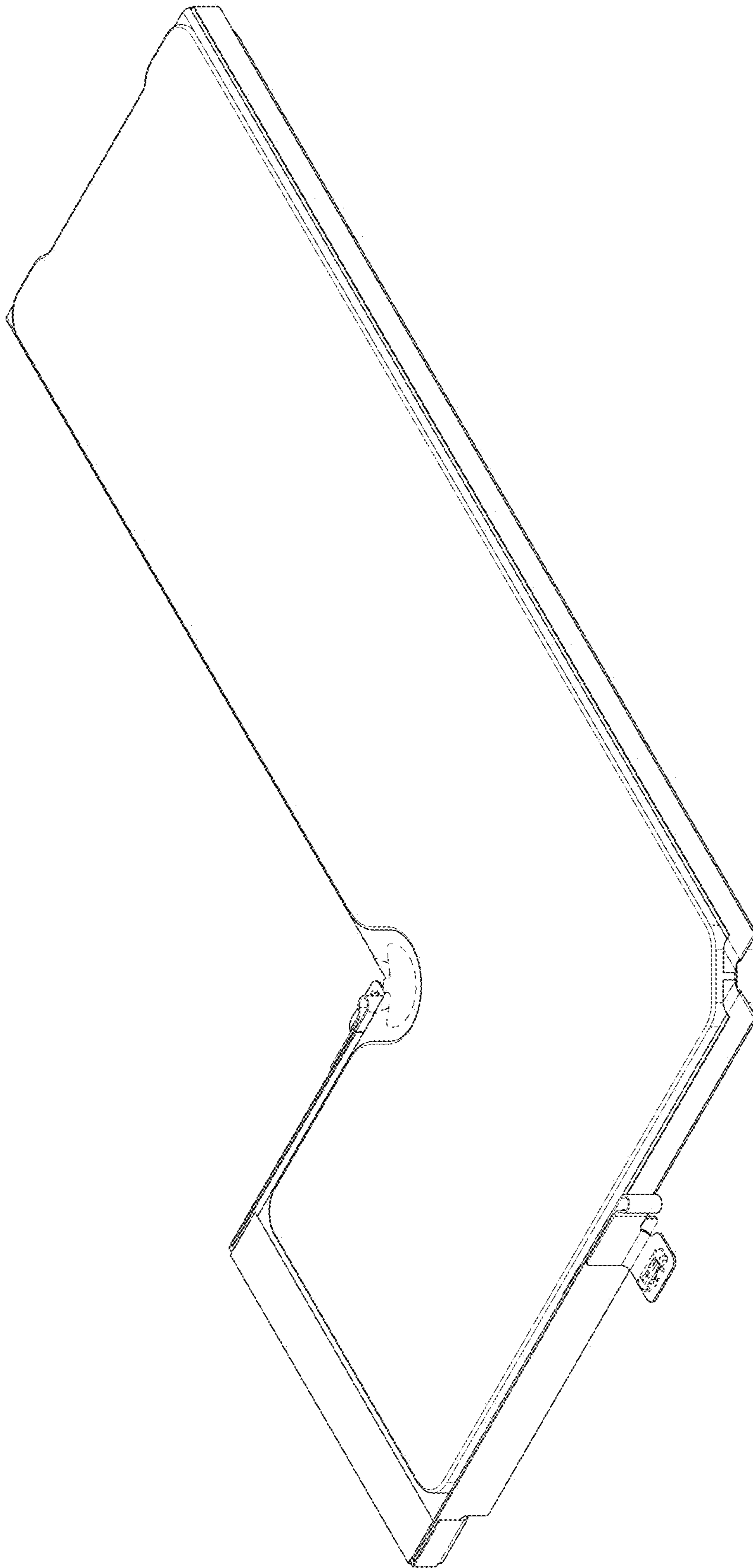


FIG. 2

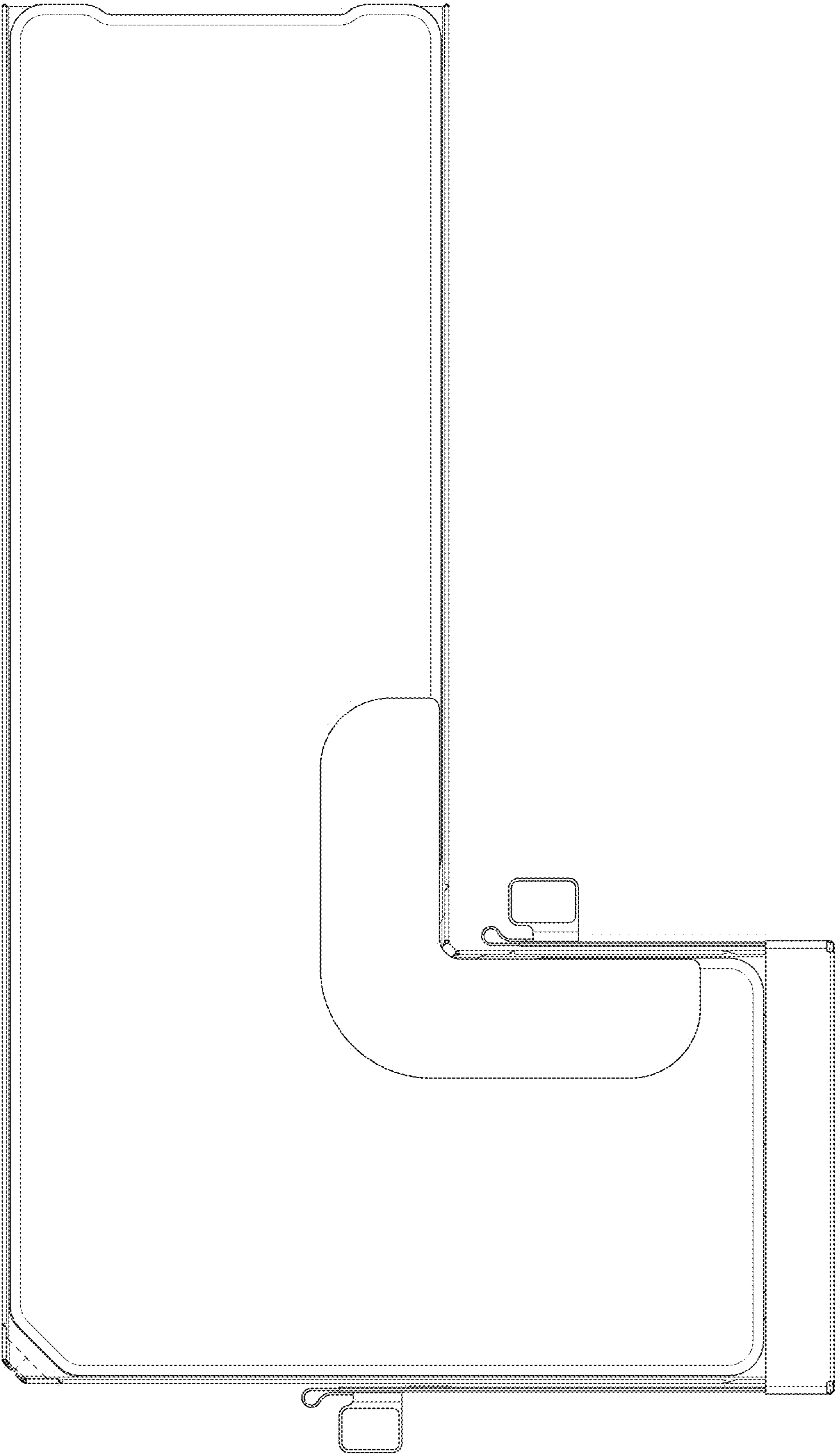


FIG. 3

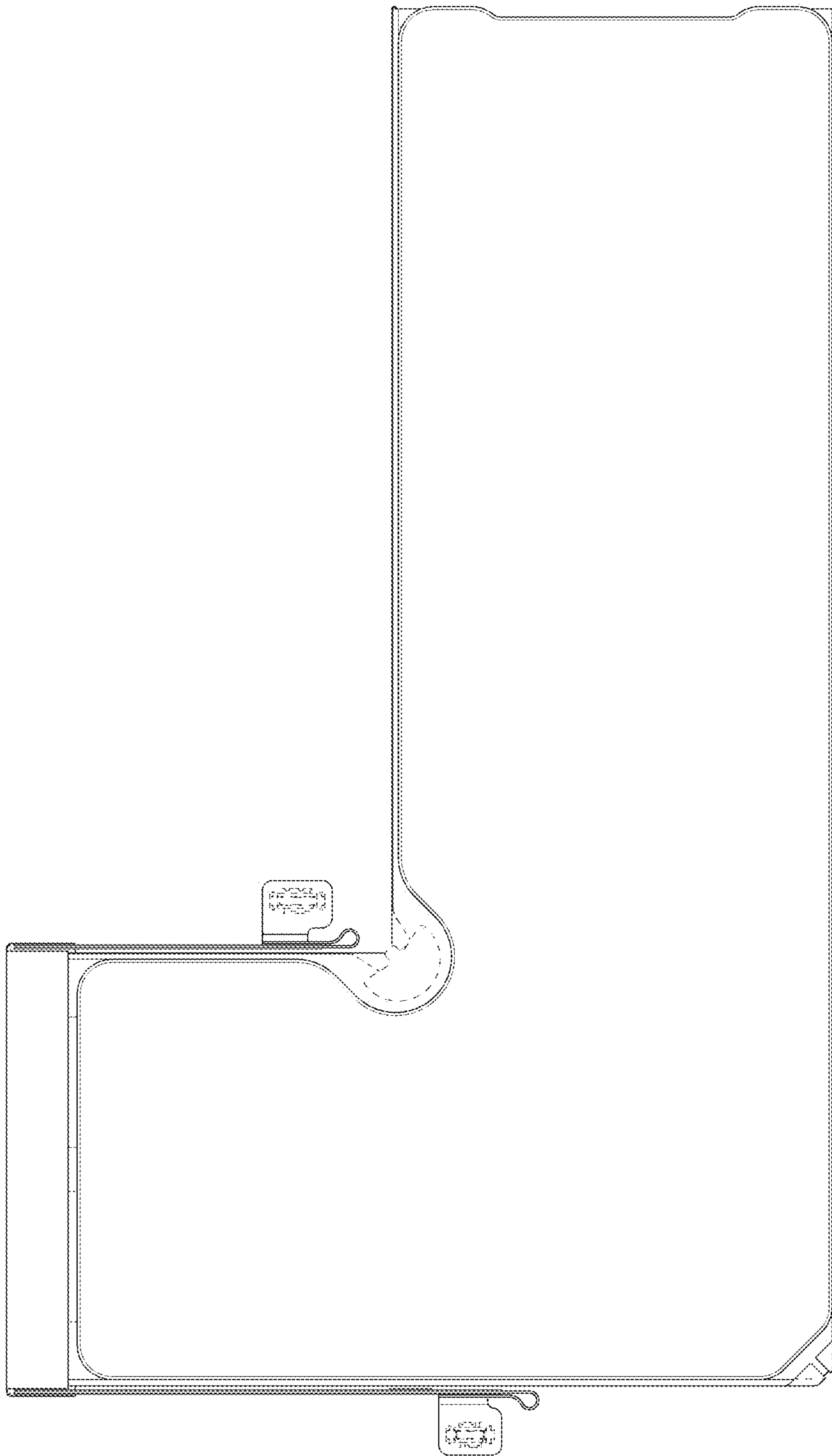


FIG. 4

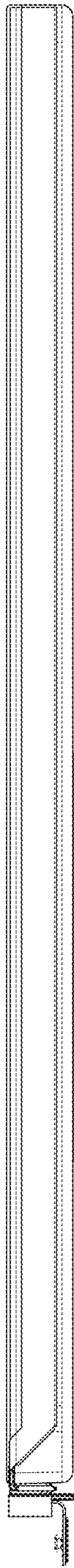


FIG. 5

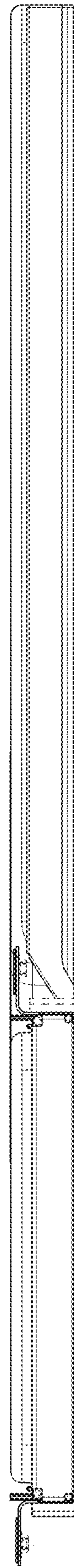
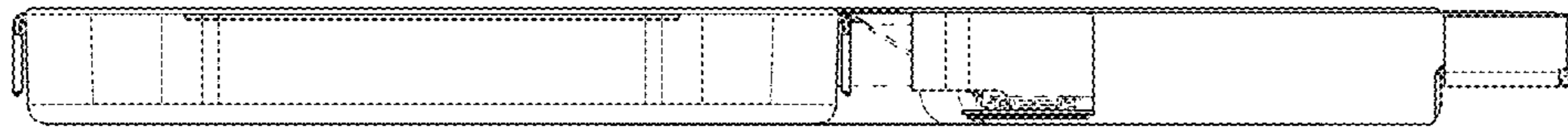
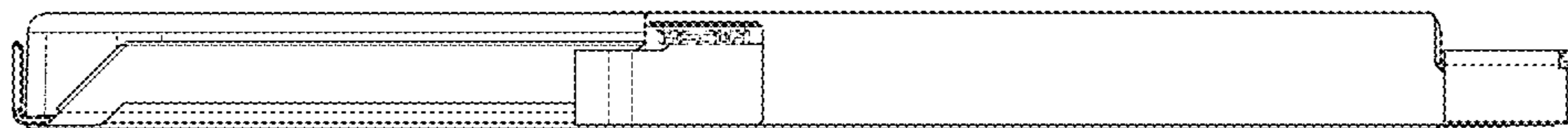


FIG. 6



**FIG. 7**



**FIG. 8**