

US00D938902S

(12) **United States Design Patent** (10) **Patent No.:** **US D938,902 S**  
**McDonald et al.** (45) **Date of Patent:** **\*\* Dec. 21, 2021**

- (54) **SOLAR PANEL USABLE ON A REFRIGERATION UNIT**
- (71) Applicant: **Carrier Corporation**, Palm Beach Gardens, FL (US)
- (72) Inventors: **Patrick McDonald**, Athens, GA (US); **Gary Daprano**, Cicero, NY (US); **Brad Scandrett**, Ames, IA (US)
- (73) Assignee: **CARRIER CORPORATION**, Palm Beach Gardens, FL (US)

6,195,015 B1 *	2/2001	Jacobs	.....	G07F 17/246 340/693.12
D516,017 S *	2/2006	Mascolo	.....	D13/102
D631,431 S *	1/2011	DeFelice	.....	D13/102
D661,644 S *	6/2012	Heidtmann	.....	D13/102
D686,146 S *	7/2013	Ishikawa	.....	D13/102
D686,979 S	7/2013	Chilton et al.		
D690,259 S *	9/2013	Raeber	.....	D13/102
D730,820 S	6/2015	Werner		
D745,845 S	12/2015	Anderson		
D781,229 S	3/2017	Krantz et al.		
D784,255 S *	4/2017	Steinfeldt	.....	D13/102
D785,560 S *	5/2017	Aiken	.....	D13/102

(Continued)

(\*\*) Term: **15 Years**

(21) Appl. No.: **29/777,319**

(22) Filed: **Apr. 5, 2021**

**Related U.S. Application Data**

(62) Division of application No. 29/682,084, filed on Mar. 1, 2019, now Pat. No. Des. 918,130.

(51) **LOC (13) Cl.** ..... **13-02**

(52) **U.S. Cl.**  
USPC ..... **D13/102**

(58) **Field of Classification Search**  
USPC ..... D13/101, 102, 107, 133, 184, 199;  
D20/22

CPC ..... H01L 31/02; H01L 31/18; H01L 31/042;  
H01L 31/048; H01L 31/0525; H01L  
31/0203; H01L 31/02008; H01L 31/0504;  
H01L 31/02013; H01L 27/142; H01L  
27/1421; Y02E 10/40; Y02E 10/47; Y02E  
10/50; Y02E 10/52; Y02E 10/54; Y02E  
10/542; Y02E 10/544; H02S 30/10; H02S  
40/34; H02S 40/44; H02J 7/0042

See application file for complete search history.

(56) **References Cited**

**U.S. PATENT DOCUMENTS**

5,522,943 A *	6/1996	Spencer	.....	H02S 10/40 136/245
D391,632 S	3/1998	Thomas		

**OTHER PUBLICATIONS**

U.S. Appl. No. 29/682,084, filed Mar. 1, 2019; Restriction Requirement dated Oct. 7, 2020; 6 pages.

*Primary Examiner* — Derrick E Holland

(74) *Attorney, Agent, or Firm* — Cantor Colburn LLP

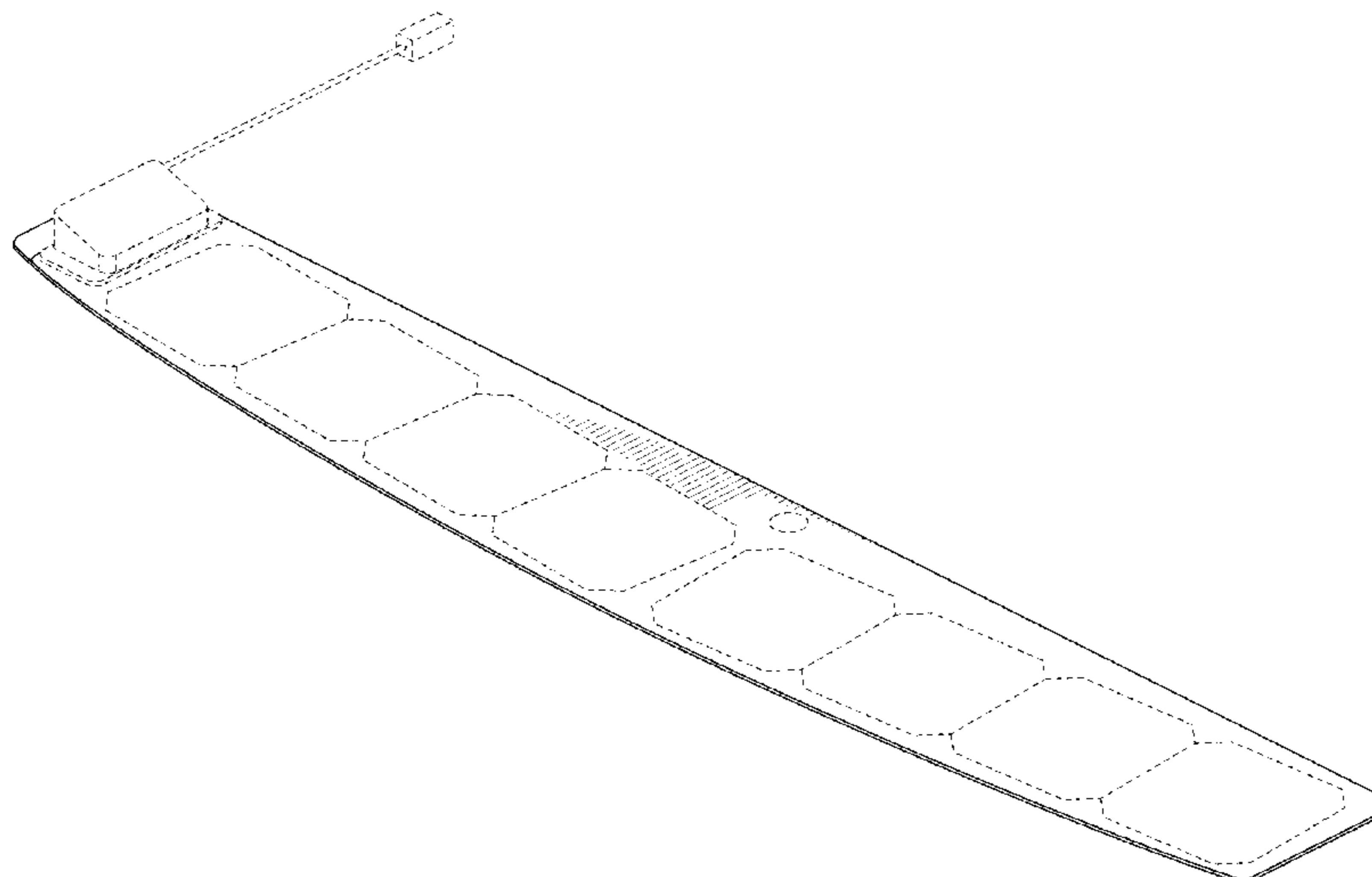
(57) **CLAIM**

We claim, the ornamental design for a solar panel usable on a refrigeration unit, as shown and described.

**DESCRIPTION**

FIG. 1 is a perspective view of a solar panel usable on a refrigeration unit, showing our new design; FIG. 2 is a front view thereof; FIG. 3 is a rear view thereof; FIG. 4 is a side view thereof; FIG. 5 is another side view thereof; FIG. 6 is a top plan view thereof; and, FIG. 7 is a bottom plan view thereof. The broken lines shown represent environmental subject matter and form no part of the claimed design.

**1 Claim, 5 Drawing Sheets**



(56)

**References Cited**

U.S. PATENT DOCUMENTS

D800,648 S 10/2017 Mei et al.  
D806,014 S \* 12/2017 Saitou ..... D13/102  
D806,932 S \* 1/2018 Hui ..... D26/102  
D836,538 S \* 12/2018 Yang ..... D13/102  
2008/0314448 A1\* 12/2008 Kato ..... H01G 9/2077  
136/261  
2018/0062011 A1\* 3/2018 Crist ..... H01L 31/044

\* cited by examiner

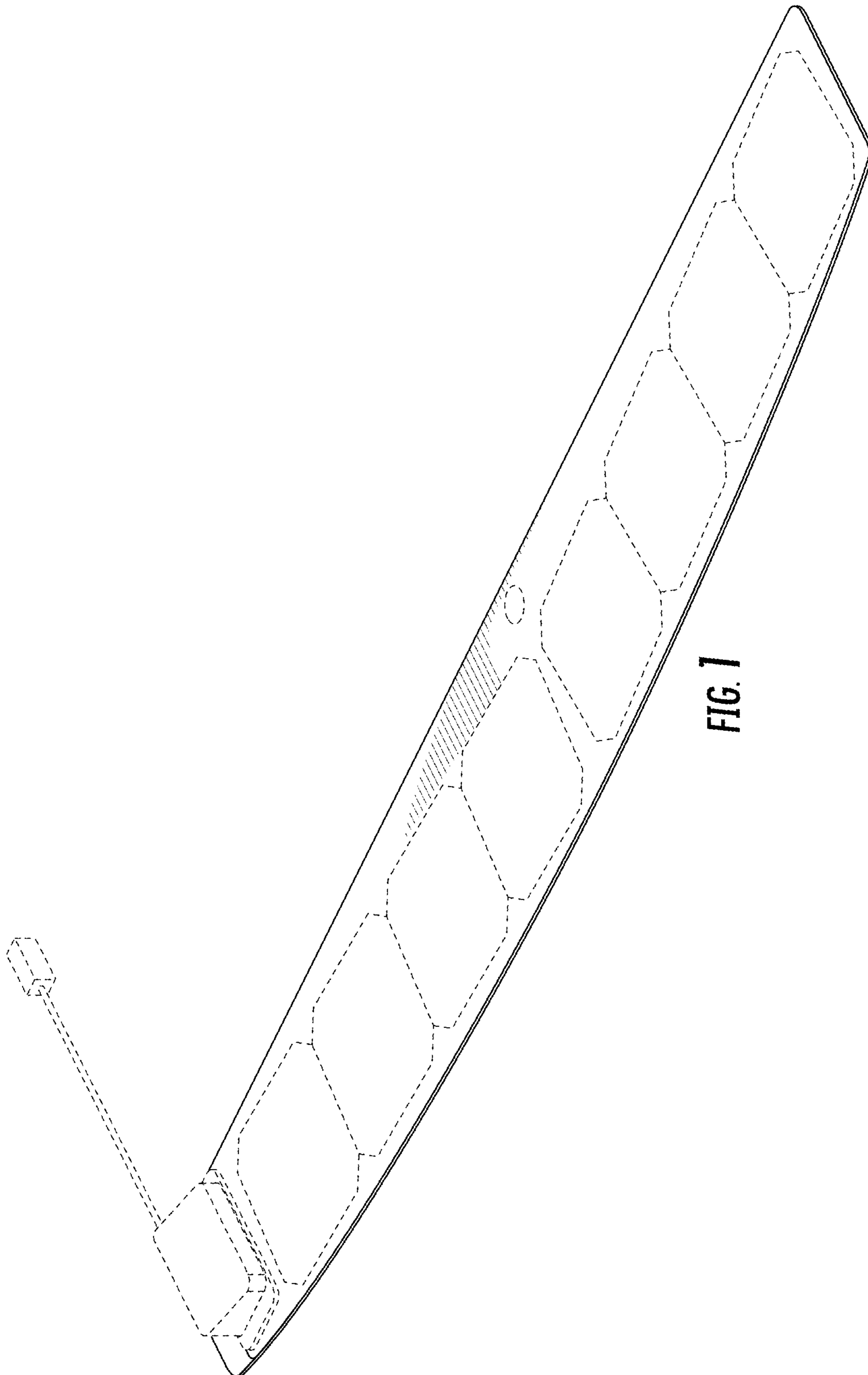


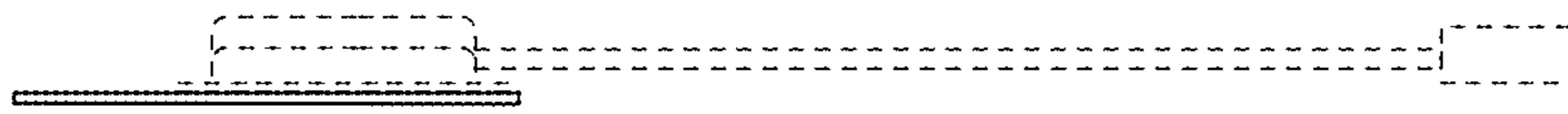
FIG. 1



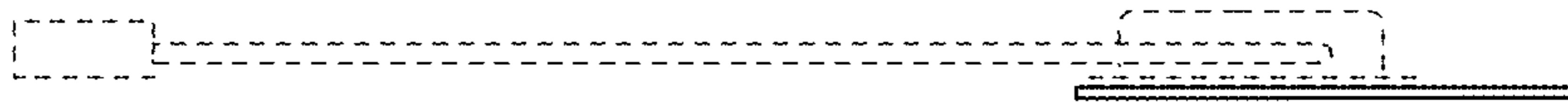
**FIG. 2**



**FIG. 3**



**FIG. 4**



**FIG. 5**

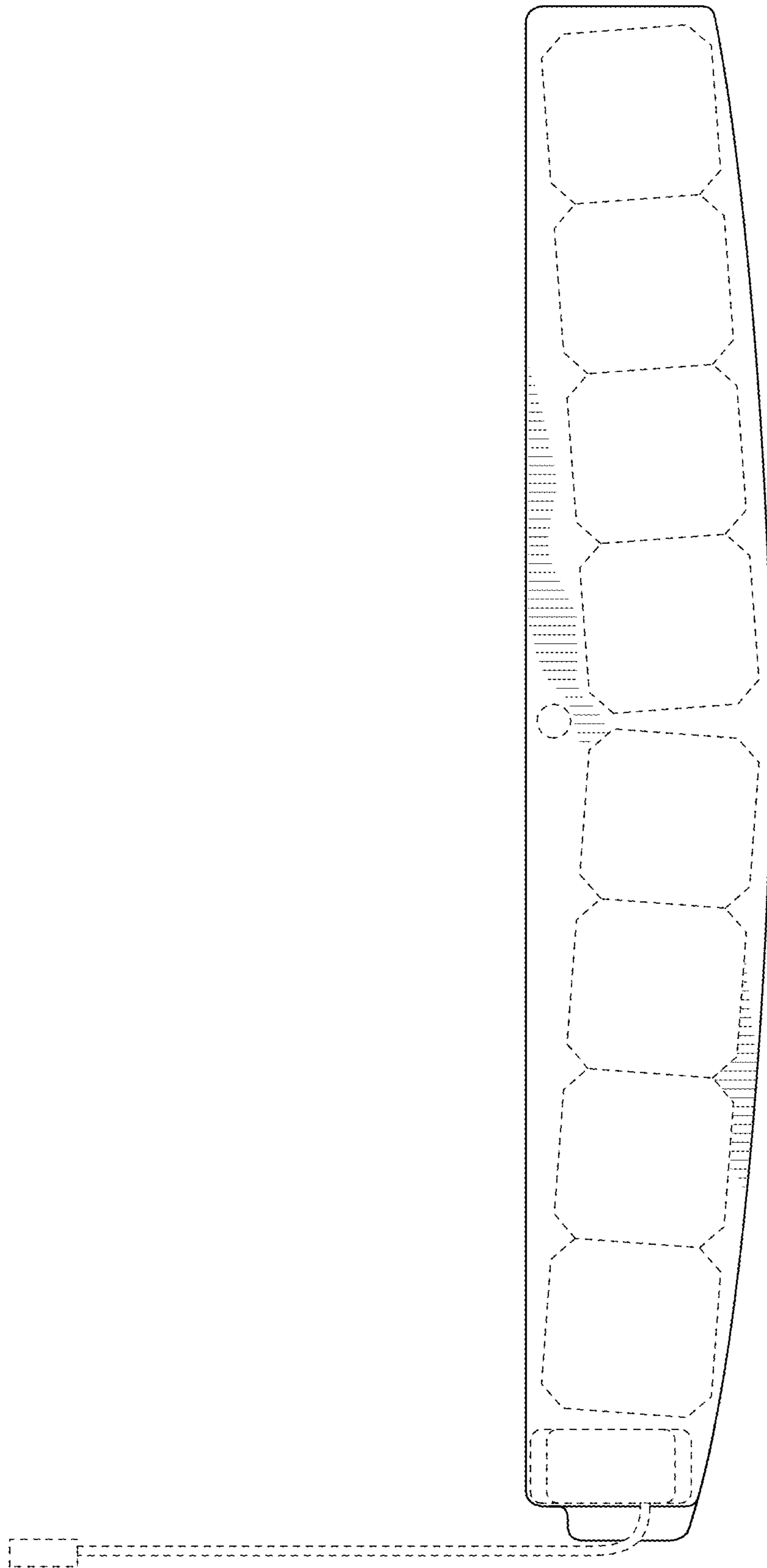


FIG. 6

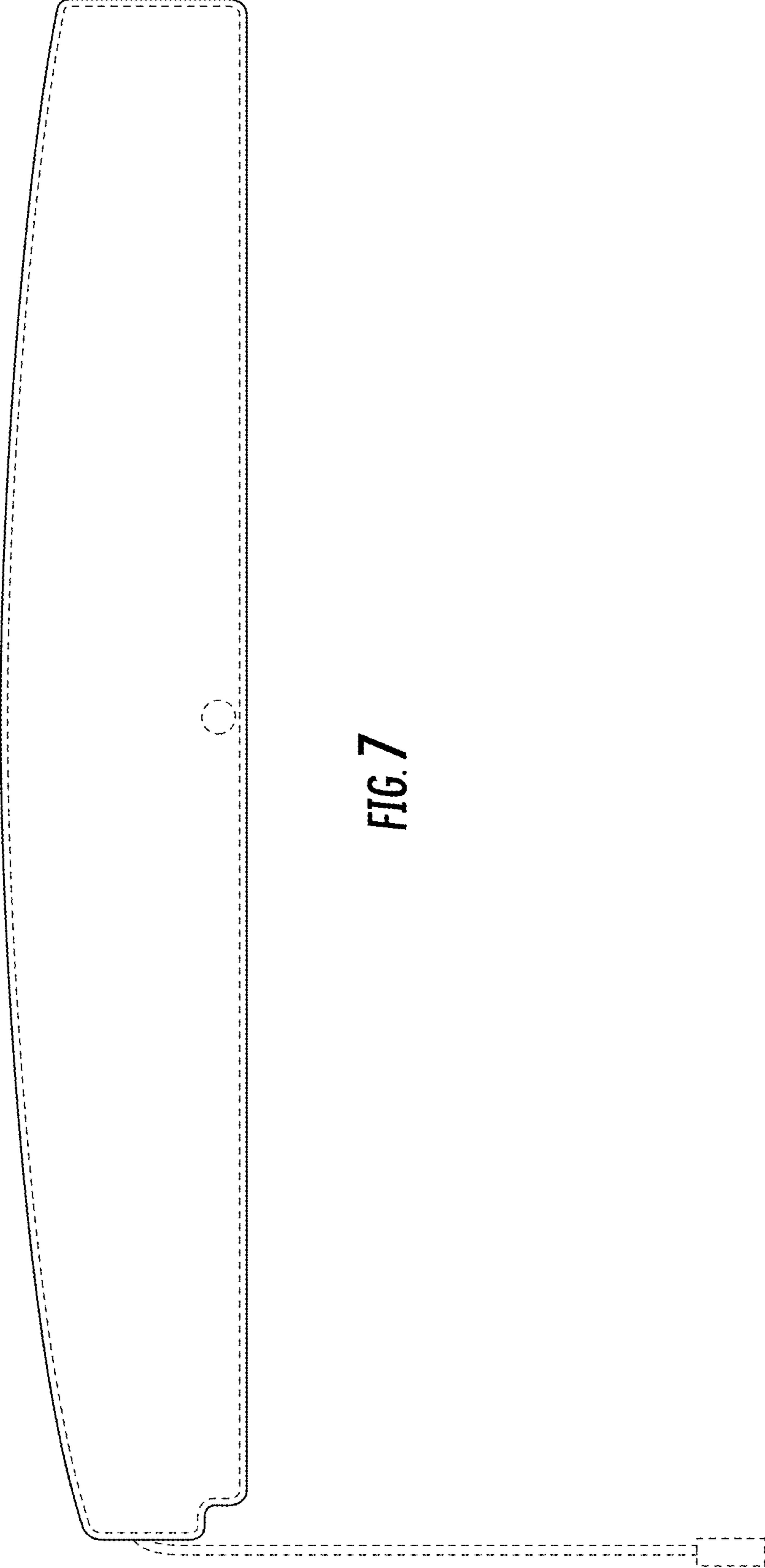


FIG. 7