



US00D938897S

(12) **United States Design Patent**
Motomitsu

(10) **Patent No.:** **US D938,897 S**

(45) **Date of Patent:** **** Dec. 21, 2021**

(54) **AUTOMOBILE TIRE**

(71) Applicant: **THE YOKOHAMA RUBBER CO., LTD.**, Tokyo (JP)

(72) Inventor: **Takamasa Motomitsu**, Hiratsuka (JP)

(73) Assignee: **THE YOKOHAMA RUBBER CO., LTD.**, Tokyo (JP)

(**) Term: **15 Years**

(21) Appl. No.: **29/717,672**

(22) Filed: **Dec. 18, 2019**

(30) **Foreign Application Priority Data**

Jun. 18, 2019 (JP) 2019-013404

(51) **LOC (13) Cl.** **12-15**

(52) **U.S. Cl.**
USPC **D12/600**

(58) **Field of Classification Search**

USPC D12/568-605, 900
CPC Y10T 152/10027; B60C 1/0016; B60C 11/0306; B60C 11/0302; B60C 3/06; B60C 9/17

See application file for complete search history.

(56) **References Cited**

U.S. PATENT DOCUMENTS

D609,166 S *	2/2010	Brown	D12/583
D640,627 S *	6/2011	Durand	D12/603
D674,739 S *	1/2013	Georges	D12/586
D764,393 S *	8/2016	Madar	D12/590
D766,818 S *	9/2016	Young	D12/602
D784,249 S *	4/2017	Dixon	D12/595
D816,599 S *	5/2018	Dixon	D12/602
D837,138 S *	1/2019	Reygrobelle	D12/602
D847,730 S *	5/2019	Dixon	D12/594
D851,022 S *	6/2019	Bell	D12/596
D857,619 S *	8/2019	Ishizaka	D12/549
D867,980 S *	11/2019	Farinelle	D12/602

* cited by examiner

Primary Examiner — John A Voytek

(74) *Attorney, Agent, or Firm* — Banner & Witcoff, Ltd.

(57) **CLAIM**

The ornamental design for an automobile tire, as shown and described.

DESCRIPTION

FIG. 1 is a perspective view of an automobile tire showing my design;

FIG. 2 is a front view thereof;

FIG. 3 is a rear view thereof;

FIG. 4 is a right side view thereof;

FIG. 5 is a left side view thereof;

FIG. 6 is a top view thereof;

FIG. 7 is a bottom view thereof;

FIG. 8 is a partially enlarged view of a portion defined by lines 8-8 shown in FIG. 1;

FIG. 9 is a partially enlarged view of a portion defined by lines 9-9 shown in FIG. 2;

FIG. 10 is a cross sectional view of a portion defined by lines 10-10 shown in FIG. 9;

FIG. 11 is a cross sectional view of a portion defined by lines 11-11 shown in FIG. 9;

FIG. 12 is a partially enlarged view of a portion defined by lines 12-12 shown in FIG. 9;

FIG. 13 is a cross sectional view of a portion defined by lines 13-13 shown in FIG. 12;

FIG. 14 is a partially enlarged reference view of a portion defined by lines 14-14 shown in FIG. 9; and,

FIG. 15 is a cross sectional view of a portion defined by lines 15-15 shown in FIG. 14.

In the drawings, the broken lines depict environmental subject matter only and form no part of the claimed design.

The dot and dashed lines represents a boundary between the claimed portion and the non-claimed portion.

1 Claim, 15 Drawing Sheets

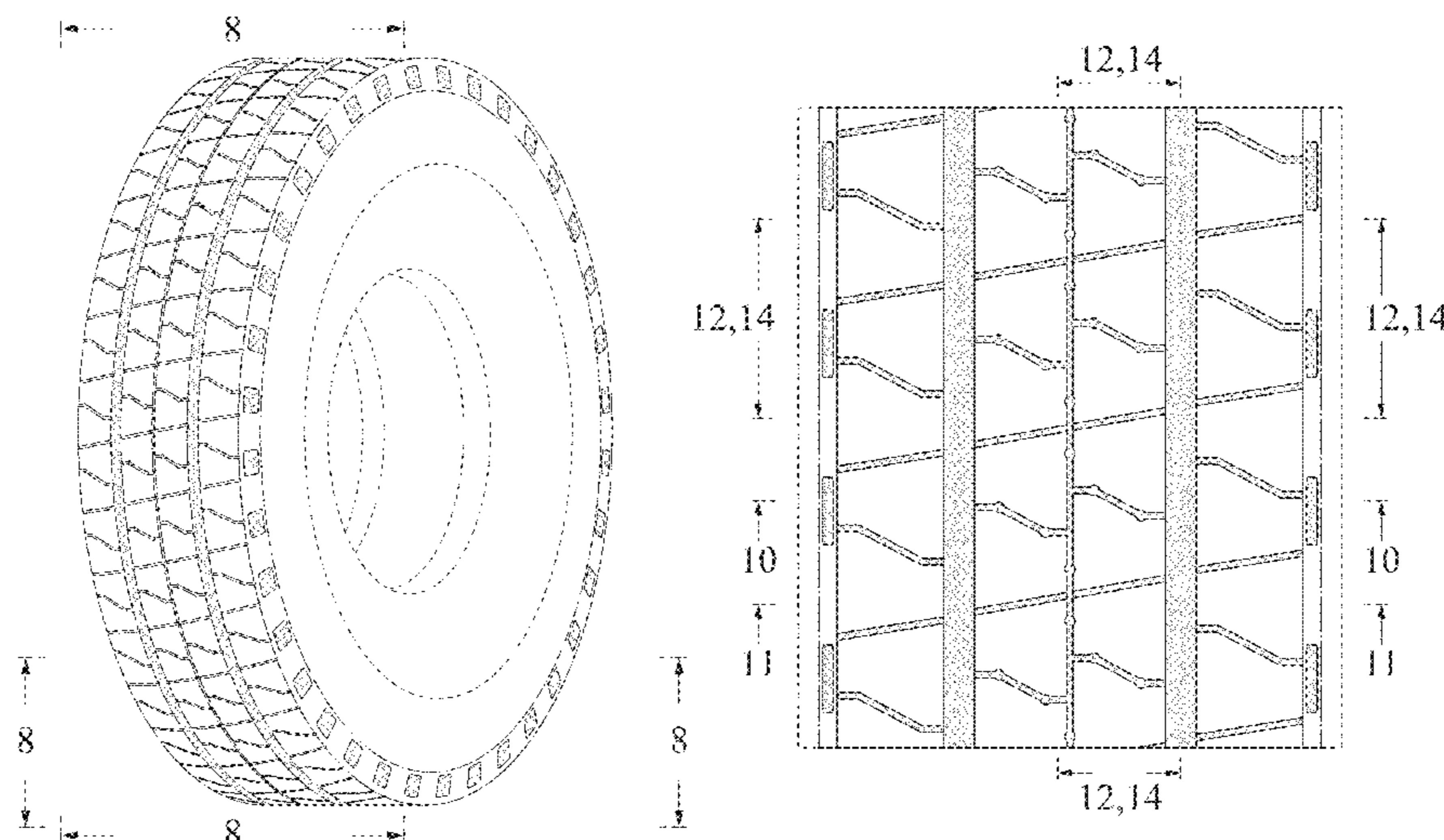


FIG. 1

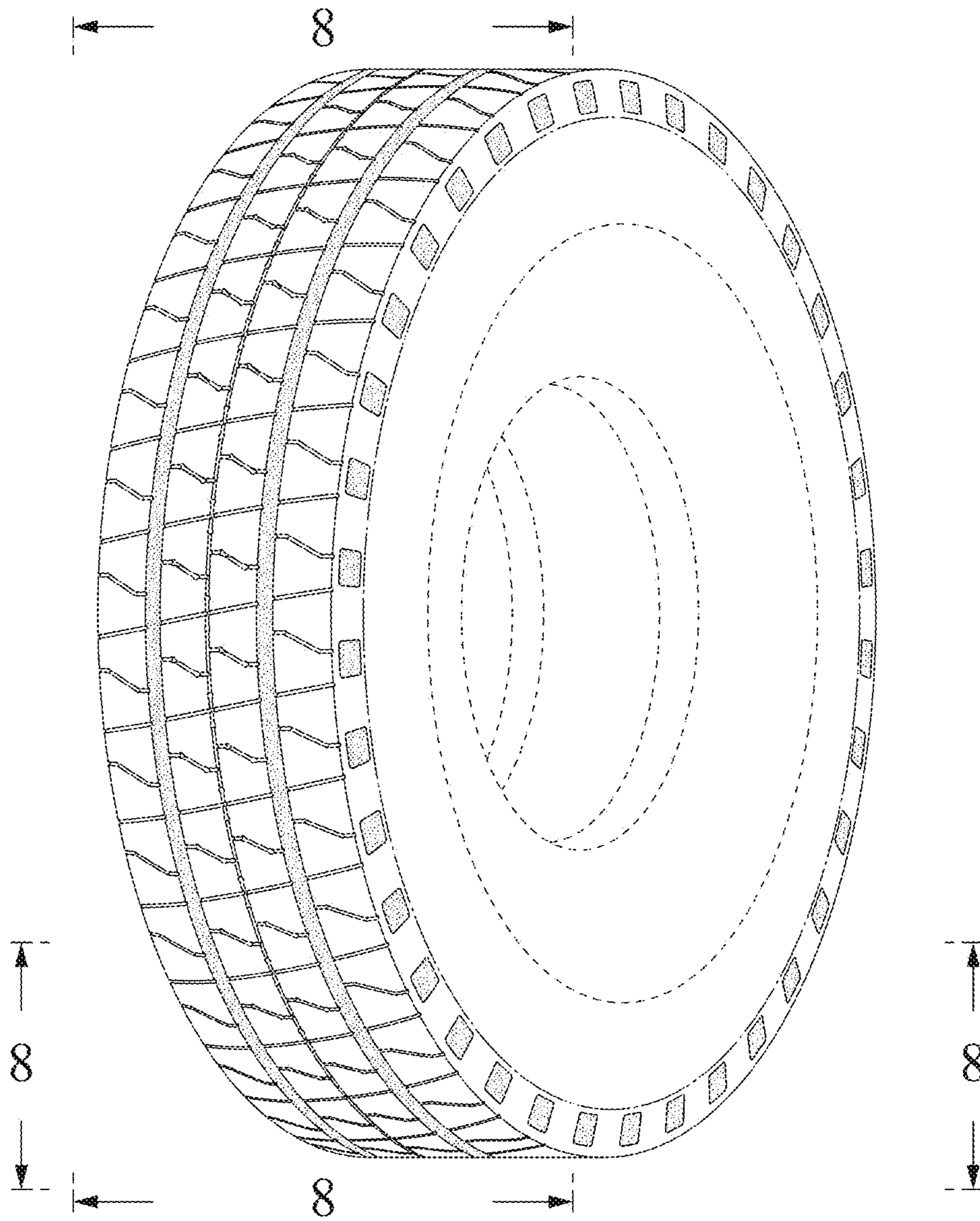


FIG. 2

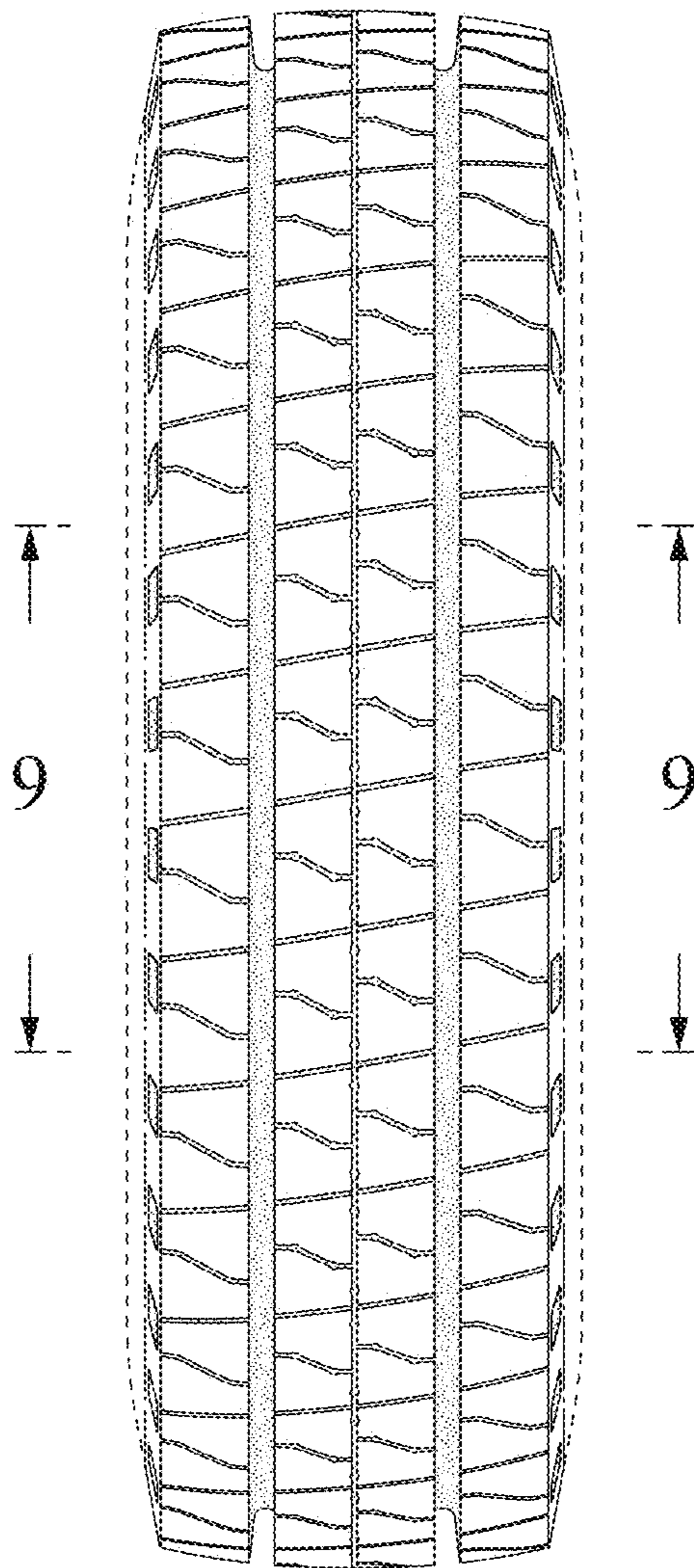


FIG. 3

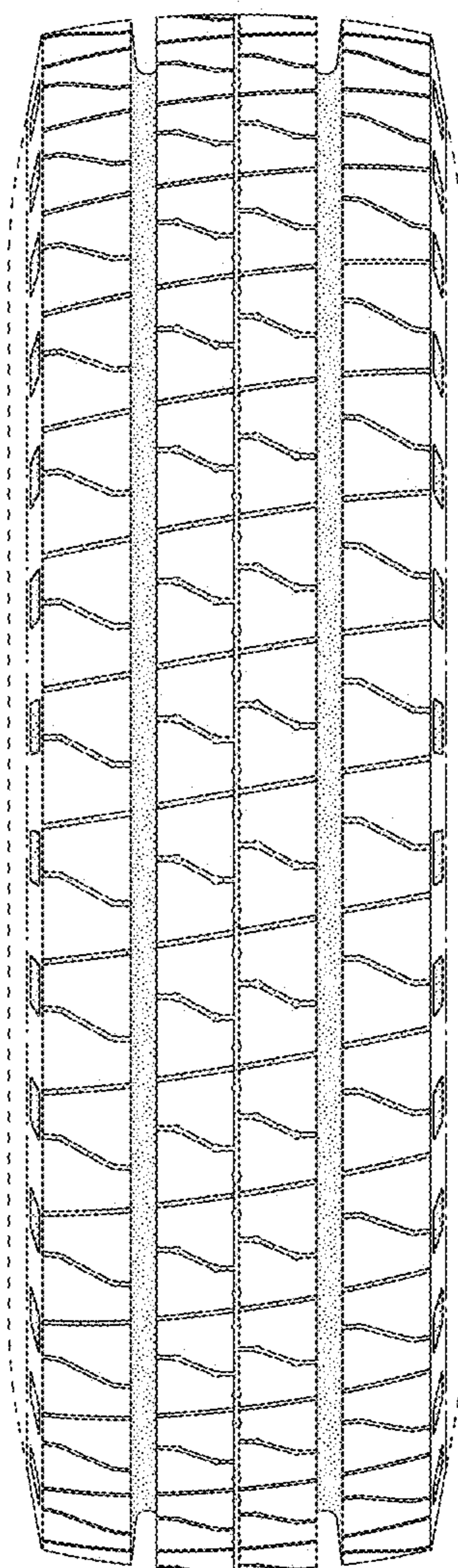


FIG. 4

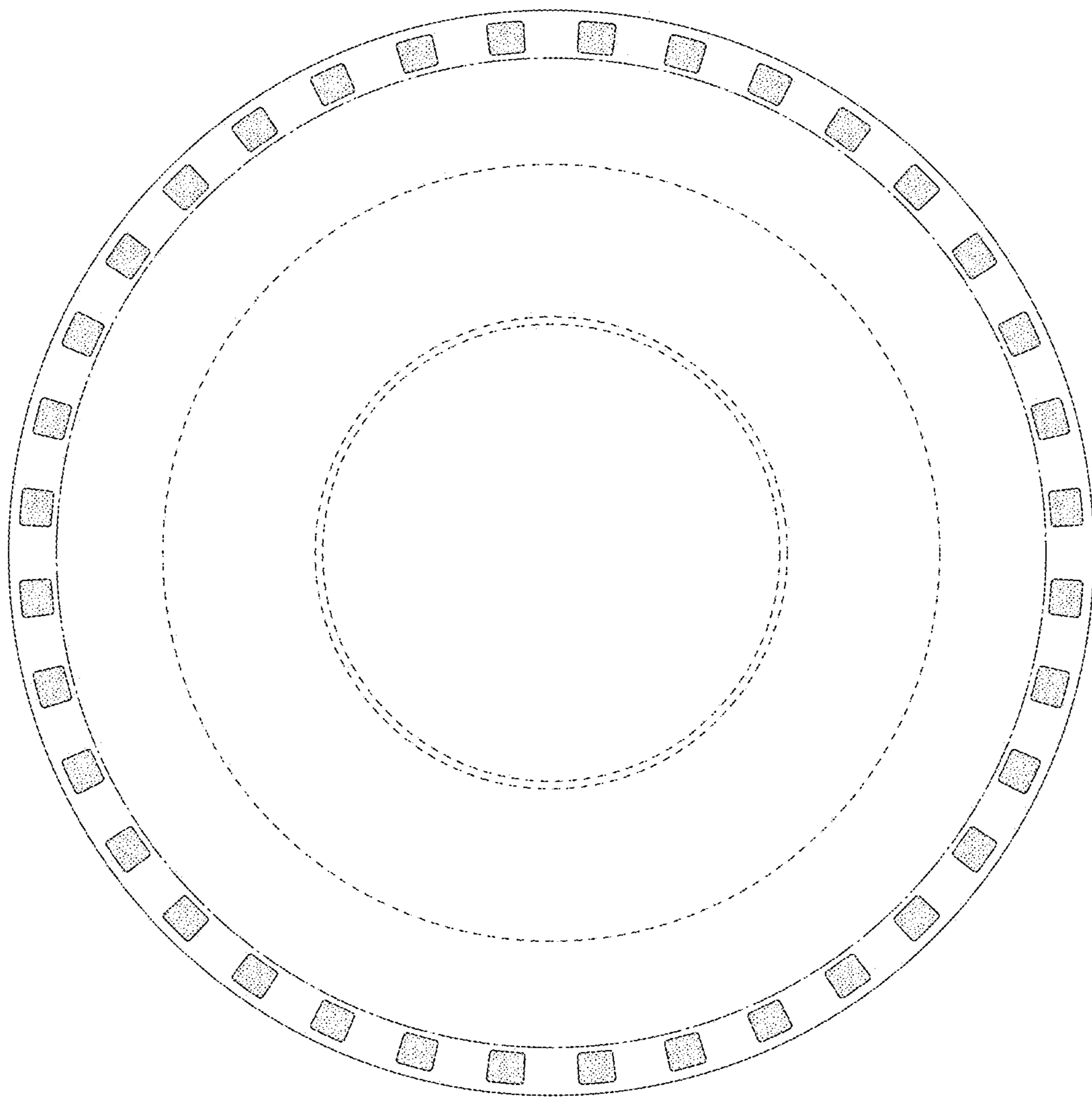


FIG. 5

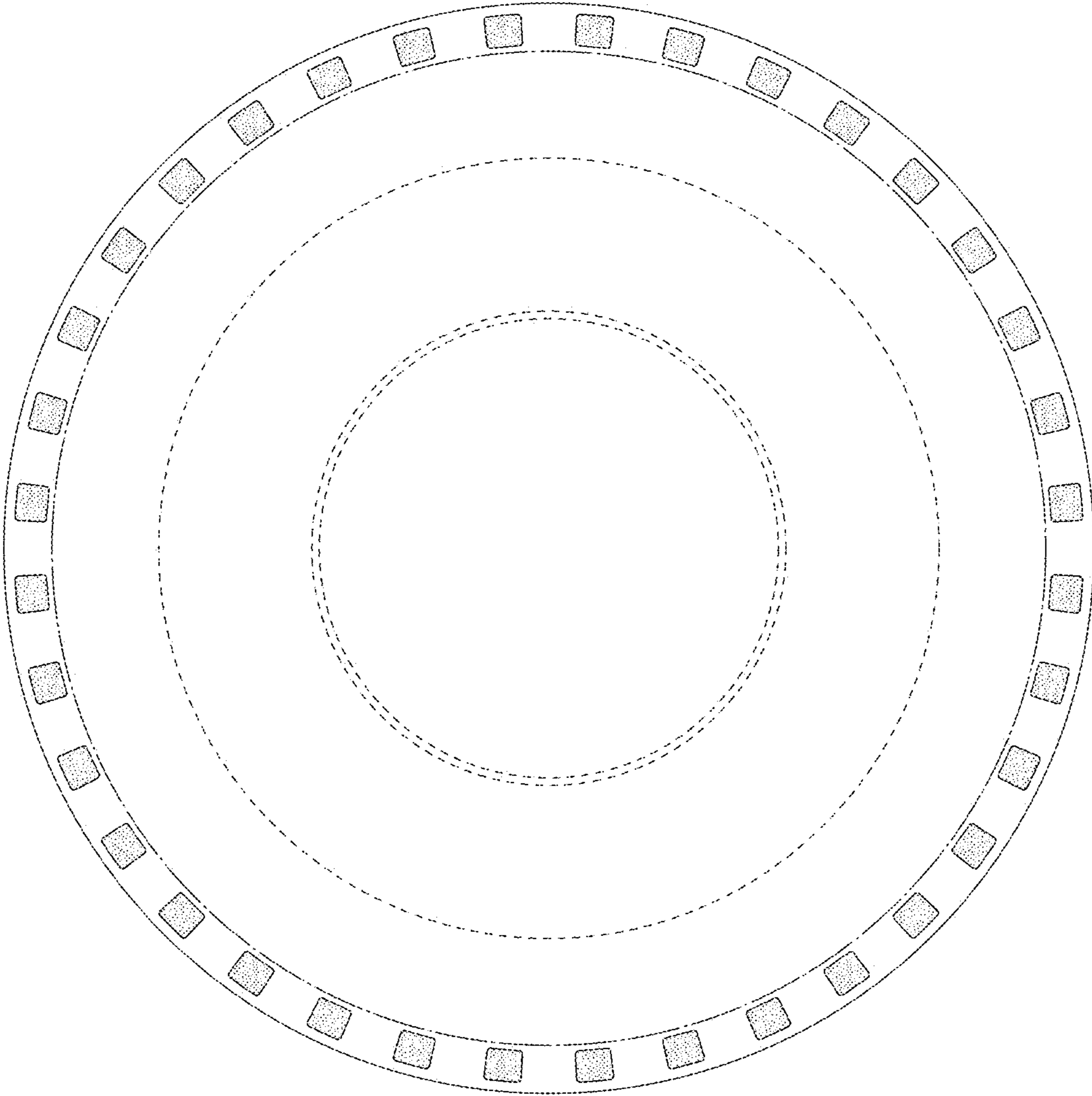


FIG. 6

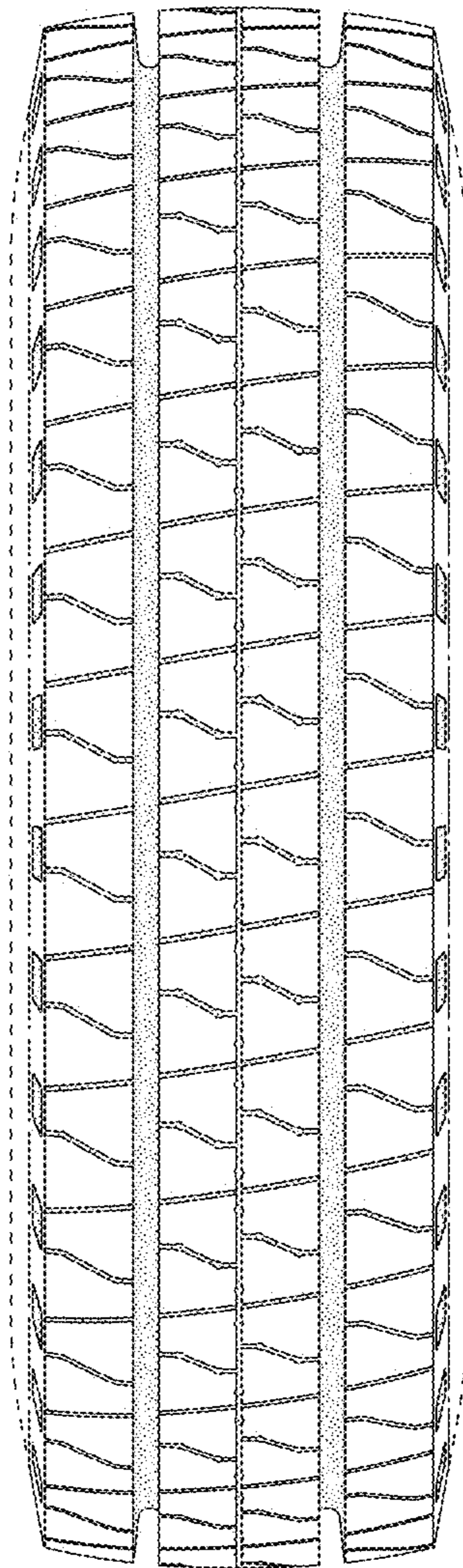


FIG. 7

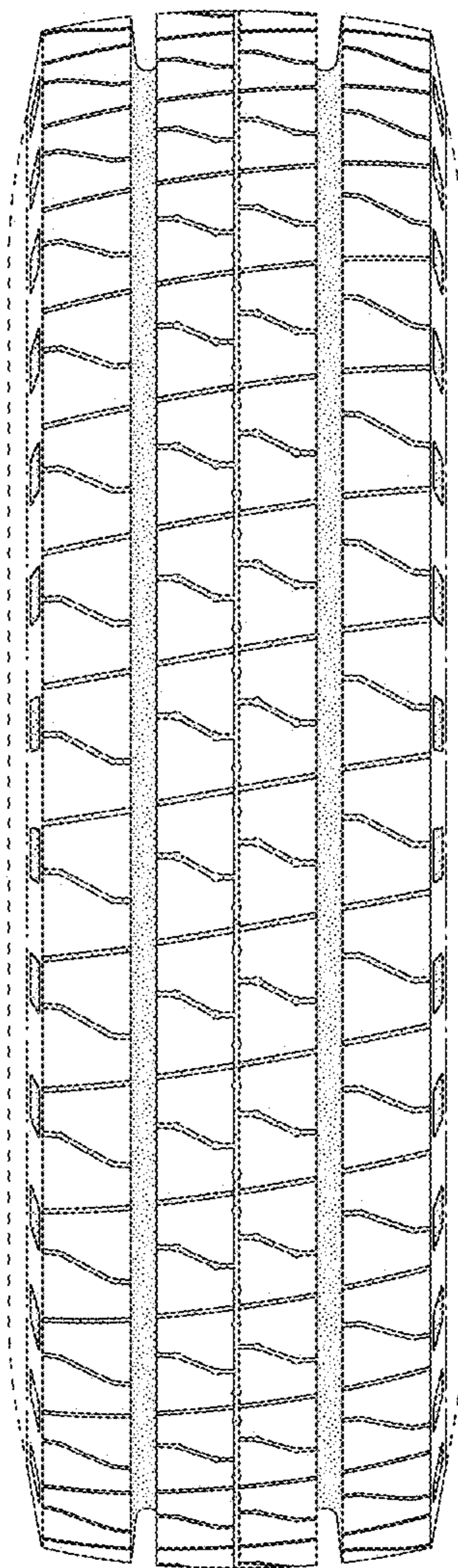


FIG. 8

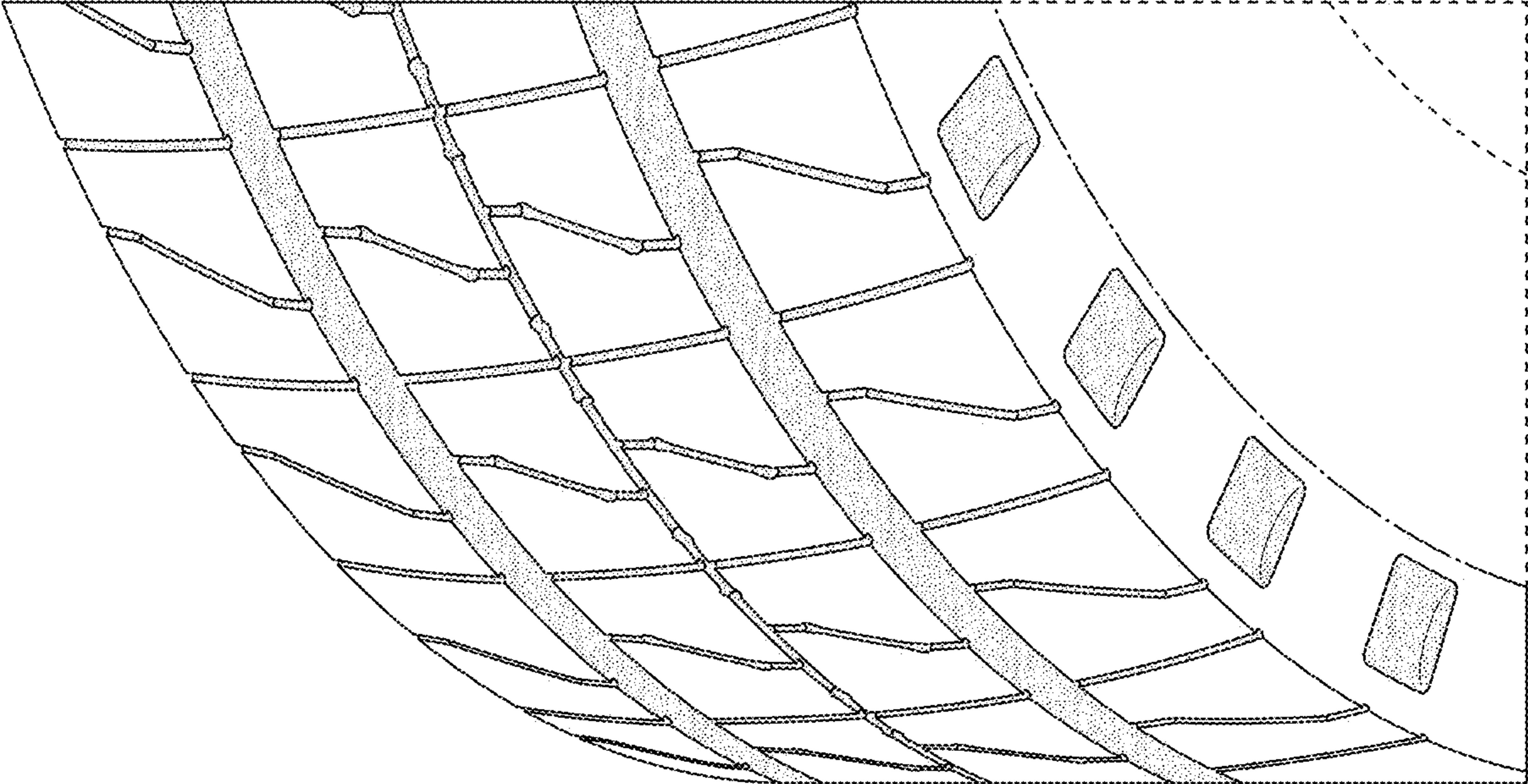


FIG. 9

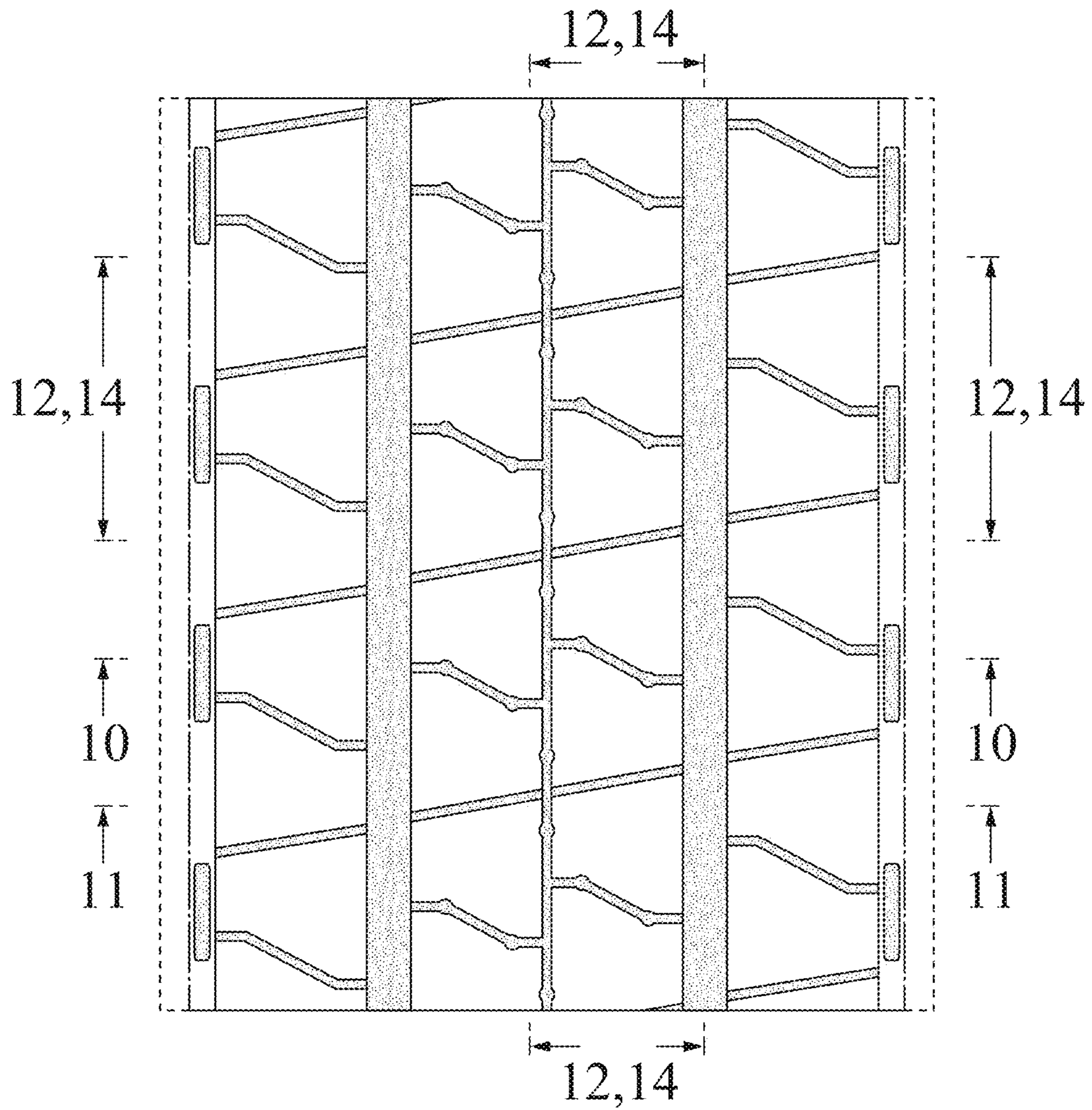


FIG. 10

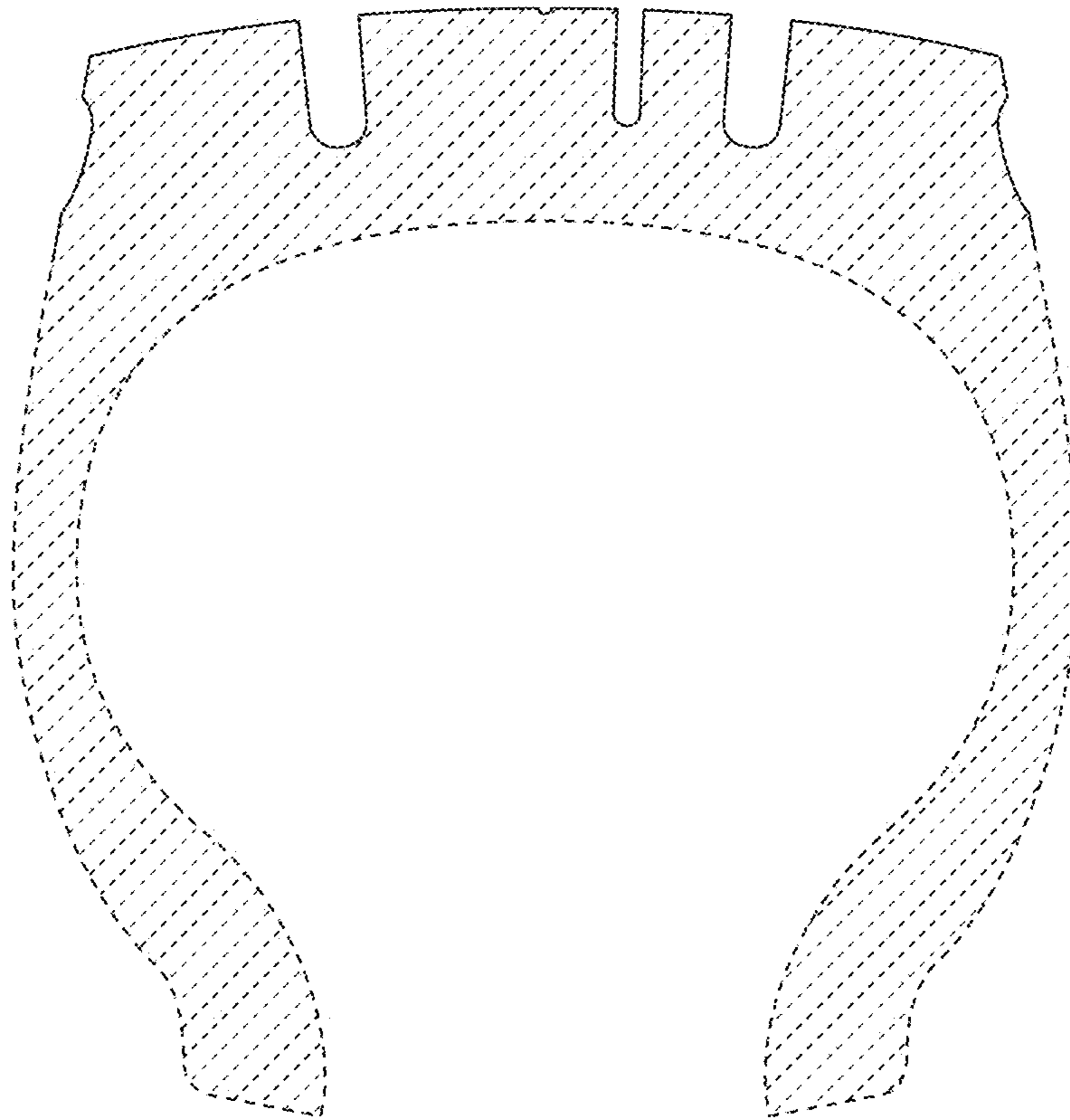


FIG. 11

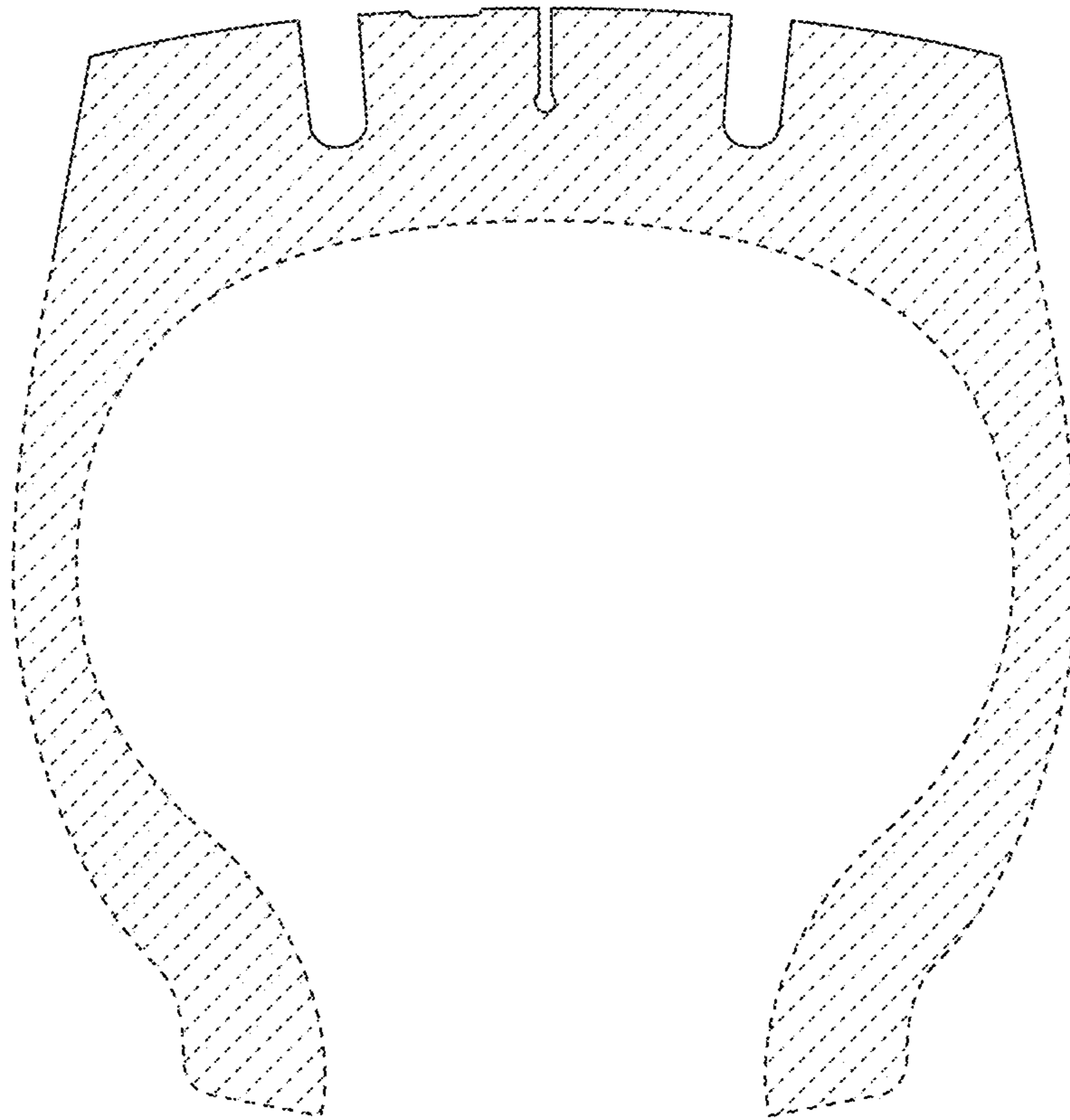


FIG. 12

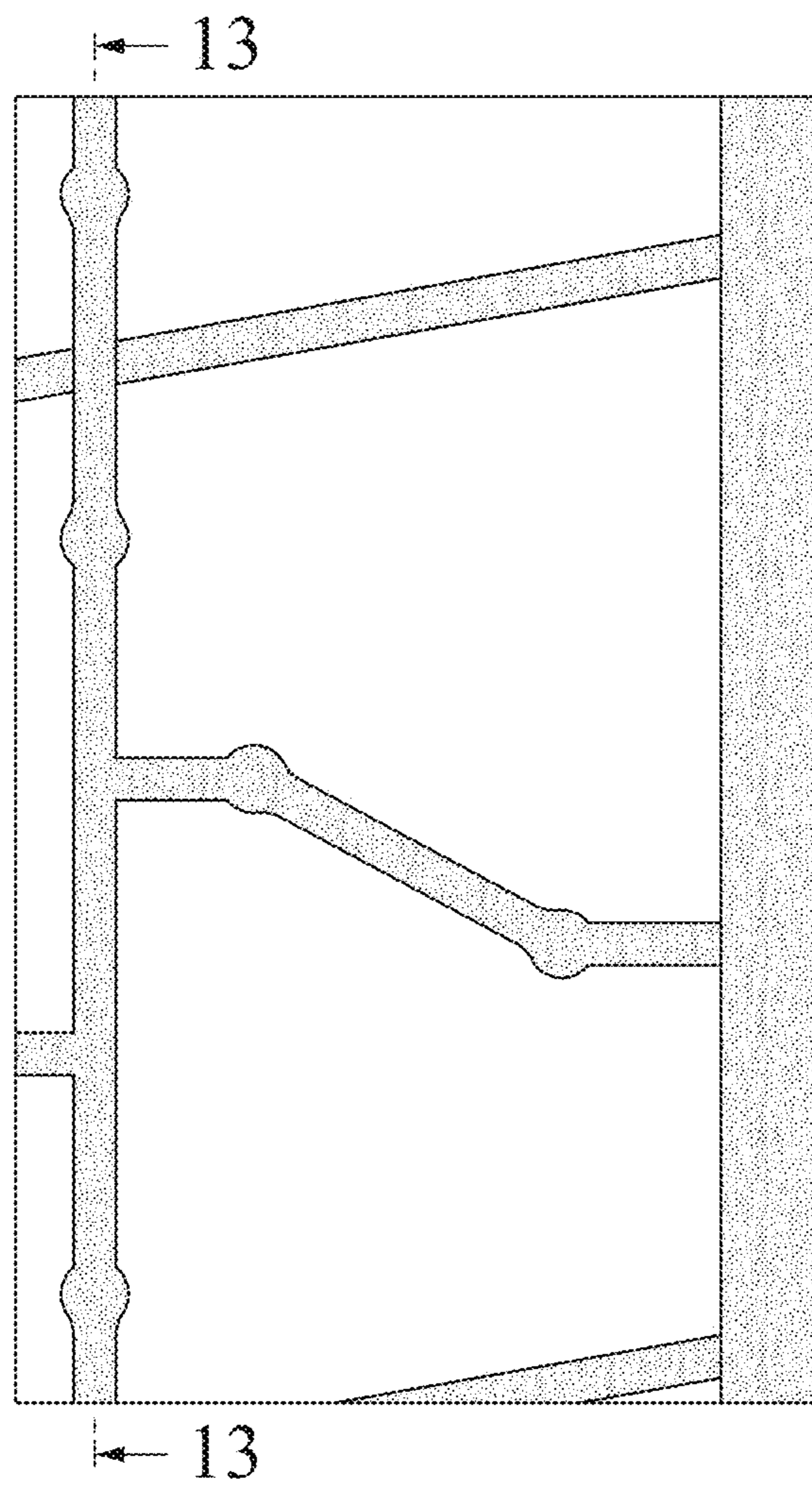


FIG. 13

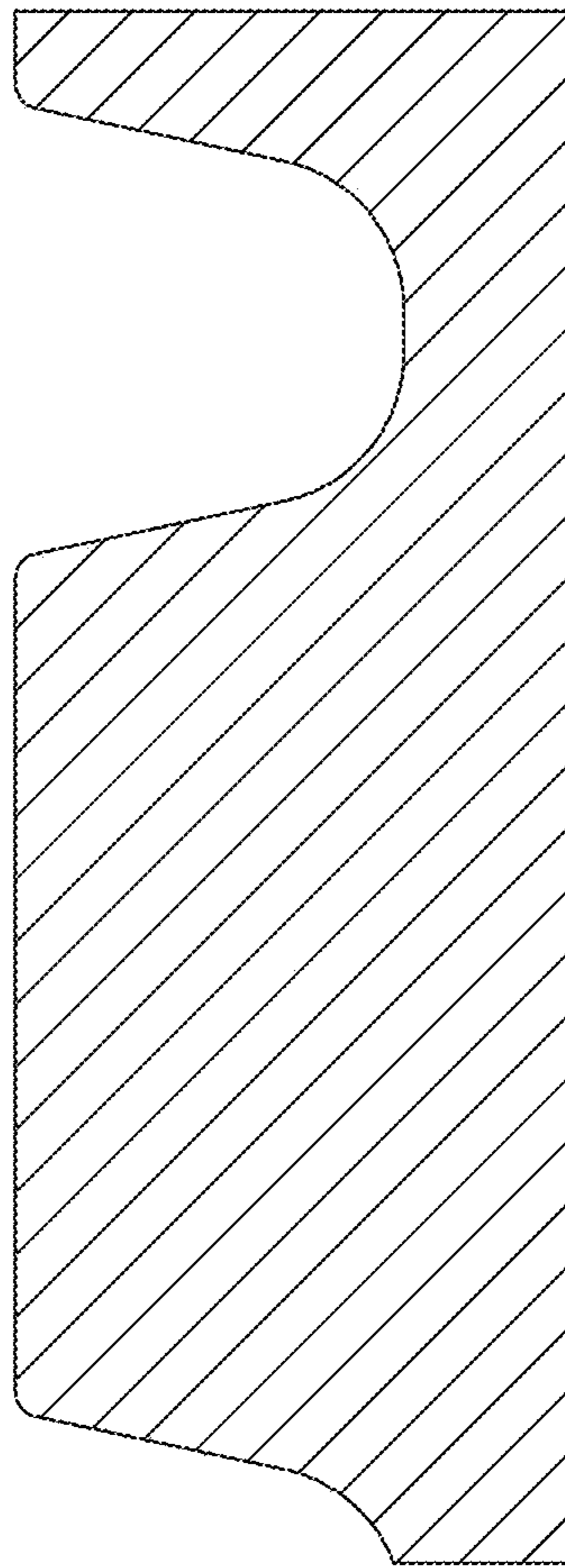


FIG. 14

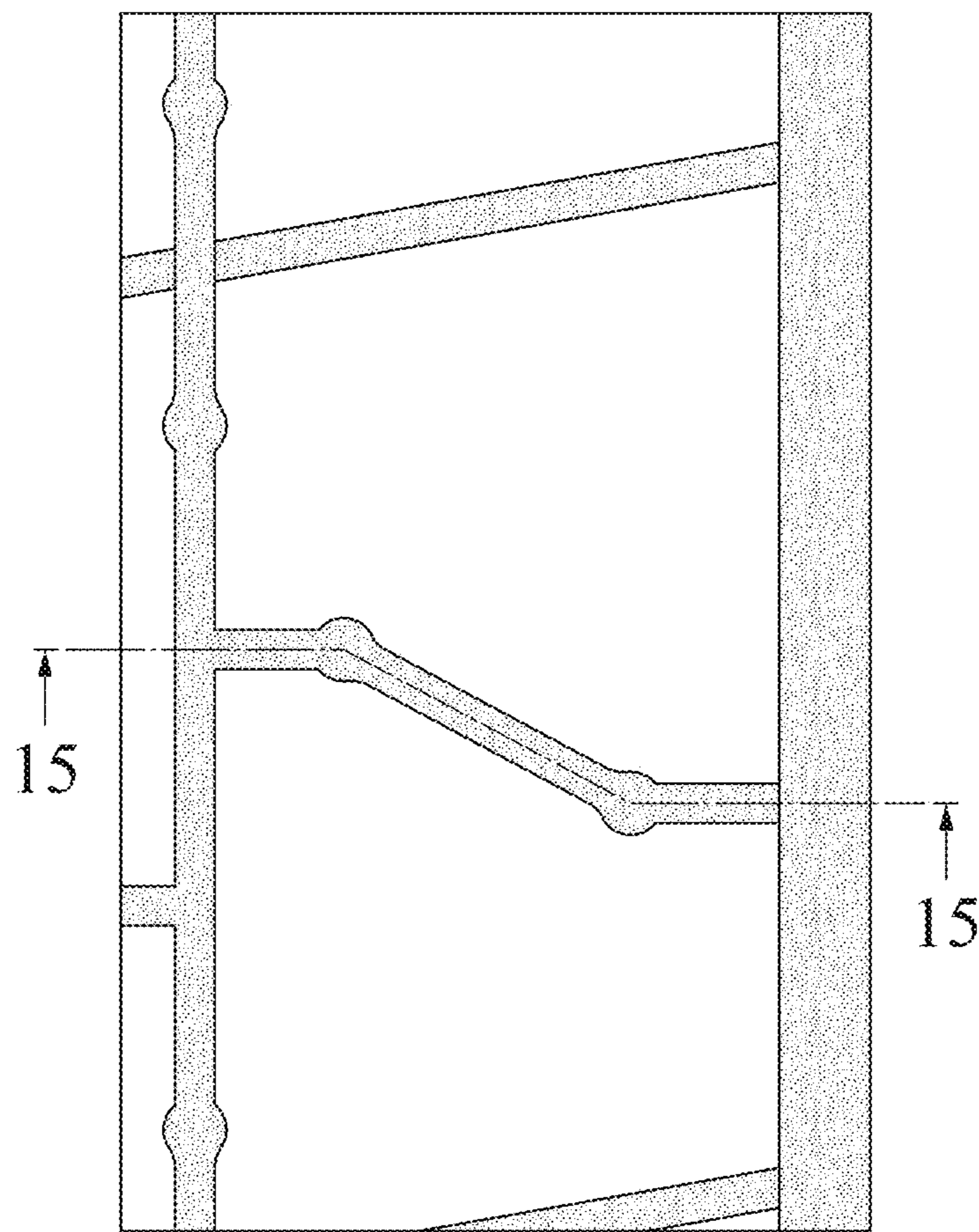


FIG. 15

