



US00D938896S

(12) **United States Design Patent**
Iga

(10) **Patent No.:** **US D938,896 S**

(45) **Date of Patent:** **** Dec. 21, 2021**

(54) **AUTOMOBILE TIRE**

(71) Applicant: **THE YOKOHAMA RUBBER CO., LTD.**, Tokyo (JP)

(72) Inventor: **Koshi Iga**, Hiratsuka (JP)

(73) Assignee: **THE YOKOHAMA RUBBER CO., LTD.**, Tokyo (JP)

(**) Term: **15 Years**

(21) Appl. No.: **29/719,020**

(22) Filed: **Dec. 31, 2019**

(30) **Foreign Application Priority Data**

Jul. 1, 2019 (JP) 2019-014755

(51) **LOC (13) Cl.** **12-15**

(52) **U.S. Cl.**
USPC **D12/594**

(58) **Field of Classification Search**
USPC D12/568-605, 900
CPC Y10T 152/10027; B60C 1/0016; B60C 11/0306; B60C 11/0302; B60C 3/06; B60C 9/17
See application file for complete search history.

(56) **References Cited**

U.S. PATENT DOCUMENTS

D499,694 S * 12/2004 Osaki D12/594
D564,957 S * 3/2008 Yoshida D12/594
D641,687 S * 7/2011 Muto D12/594
D650,735 S * 12/2011 Kaji D12/594

D669,422 S * 10/2012 Fujioka D12/594
D670,236 S * 11/2012 Drake D12/600
D683,302 S * 5/2013 Miyazaki D12/589
D735,645 S * 8/2015 Drake D12/588
D778,810 S * 2/2017 Wu D12/594
D847,733 S * 5/2019 Parr D12/604

* cited by examiner

Primary Examiner — John A Voytek

(74) *Attorney, Agent, or Firm* — Banner & Witcoff, Ltd.

(57) **CLAIM**

The ornamental design for an automobile tire, as shown and described.

DESCRIPTION

FIG. 1 is a perspective view of an automobile tire showing my design;

FIG. 2 is a front view thereof;

FIG. 3 is a rear view thereof;

FIG. 4 is a right side view thereof;

FIG. 5 is a left side view thereof;

FIG. 6 is a top view thereof;

FIG. 7 is a bottom view thereof;

FIG. 8 is a partially enlarged view of a portion defined by lines 8-8 shown in FIG. 1;

FIG. 9 is a partially enlarged view of a portion defined by lines 9-9 shown in FIG. 2; and,

FIG. 10 is a cross sectional view of a portion defined by lines 10-10 shown in FIG. 9.

In the drawings, the broken lines depict environmental subject matter only and form no part of the claimed design.

The dot and dashed lines represents a boundary between the claimed portion and the non-claimed portion.

1 Claim, 10 Drawing Sheets

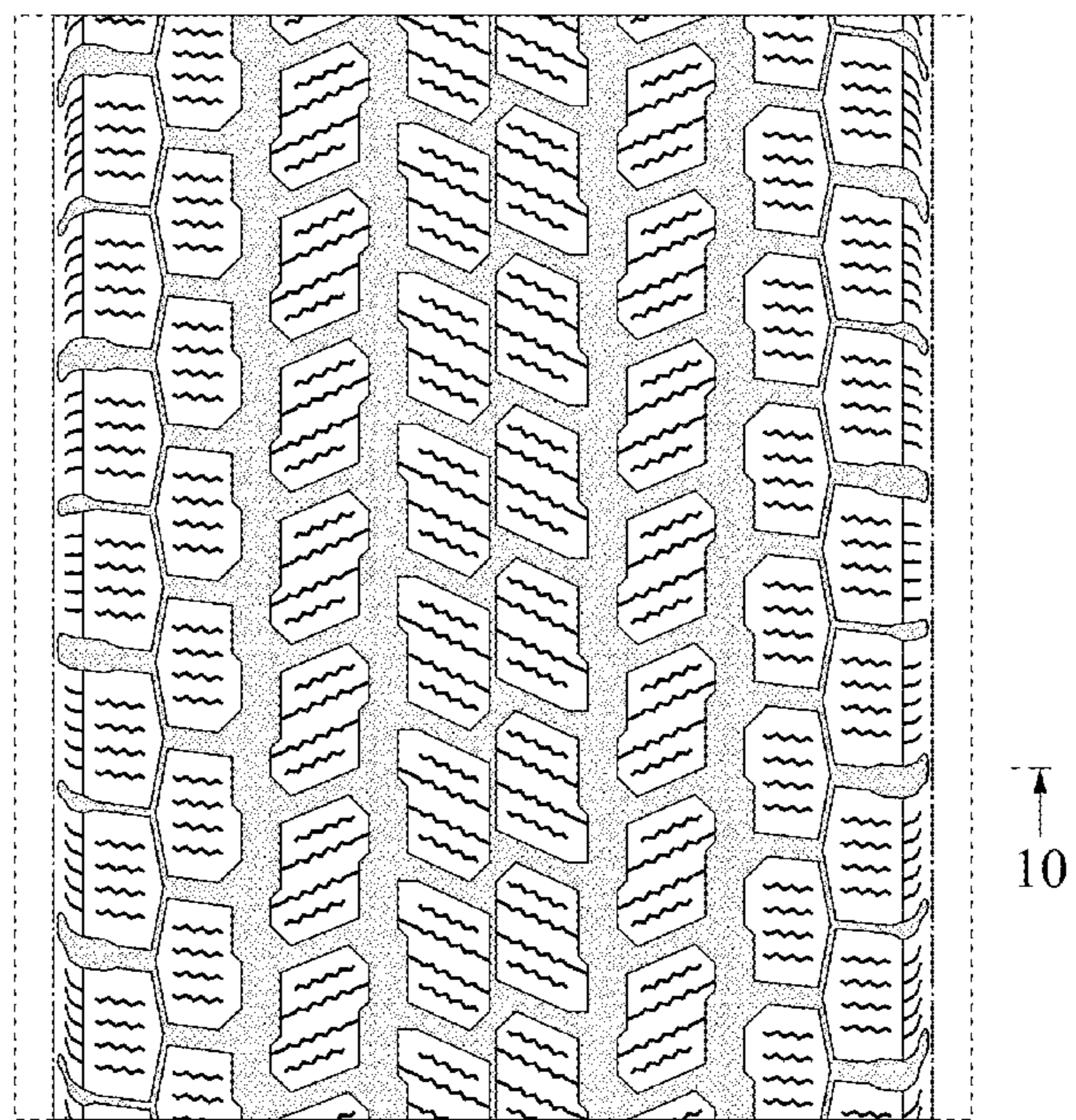
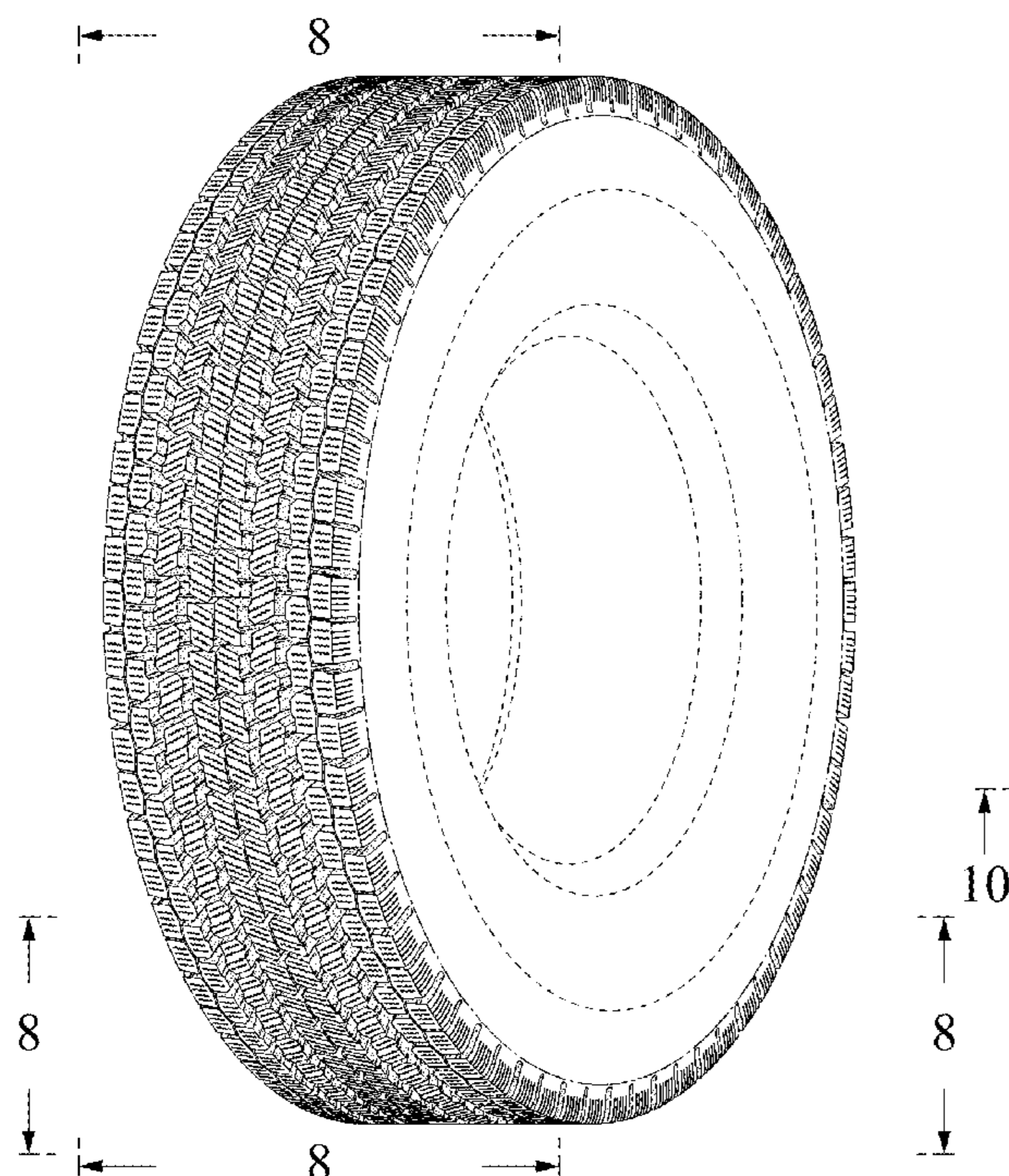


FIG. 1

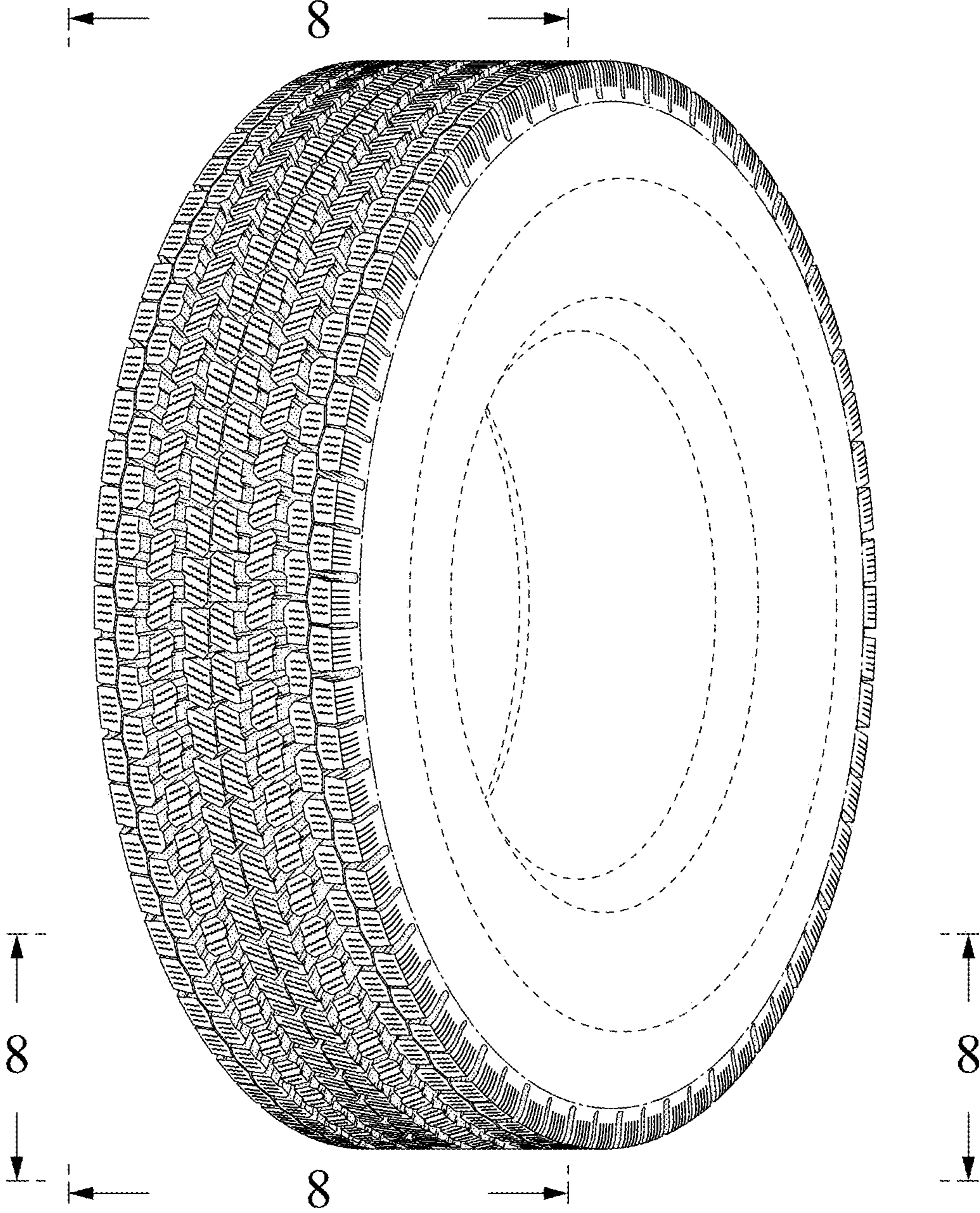


FIG. 2

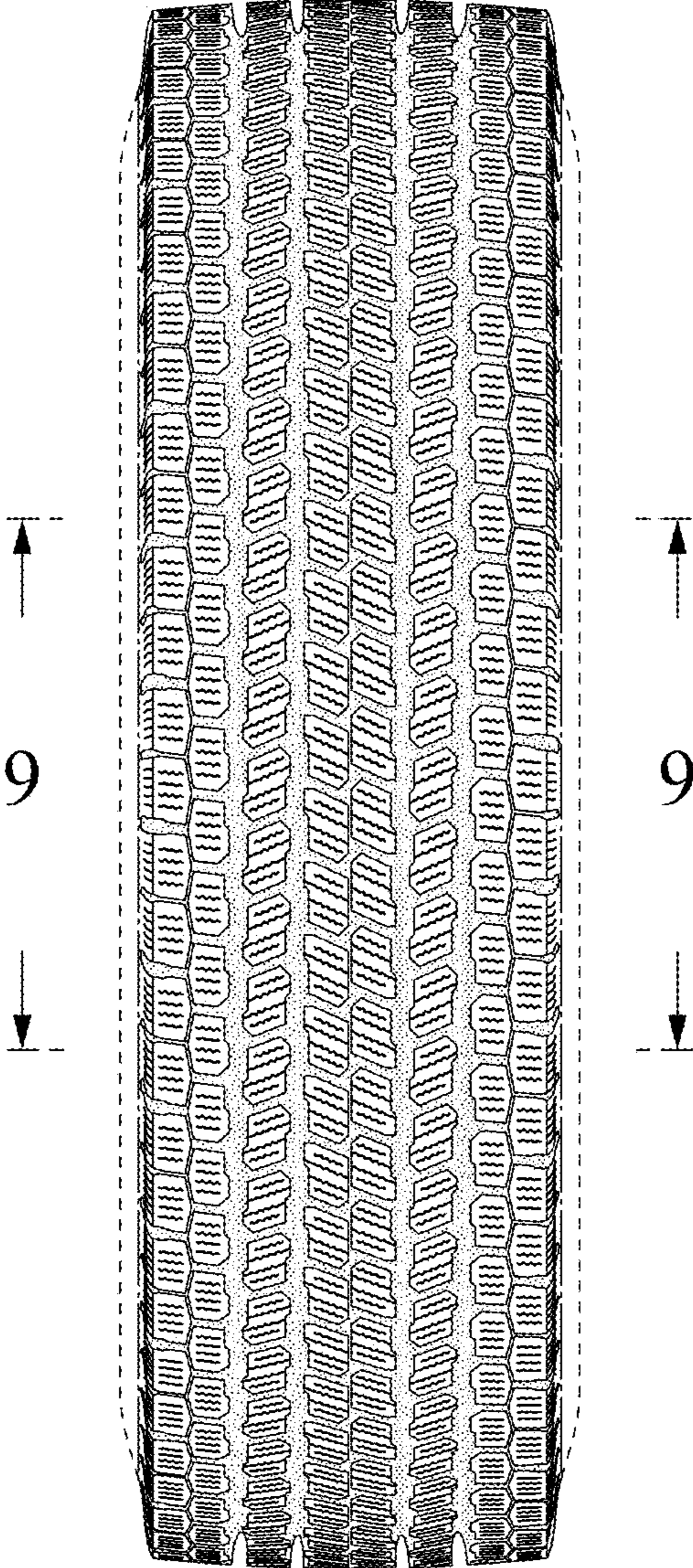


FIG. 3

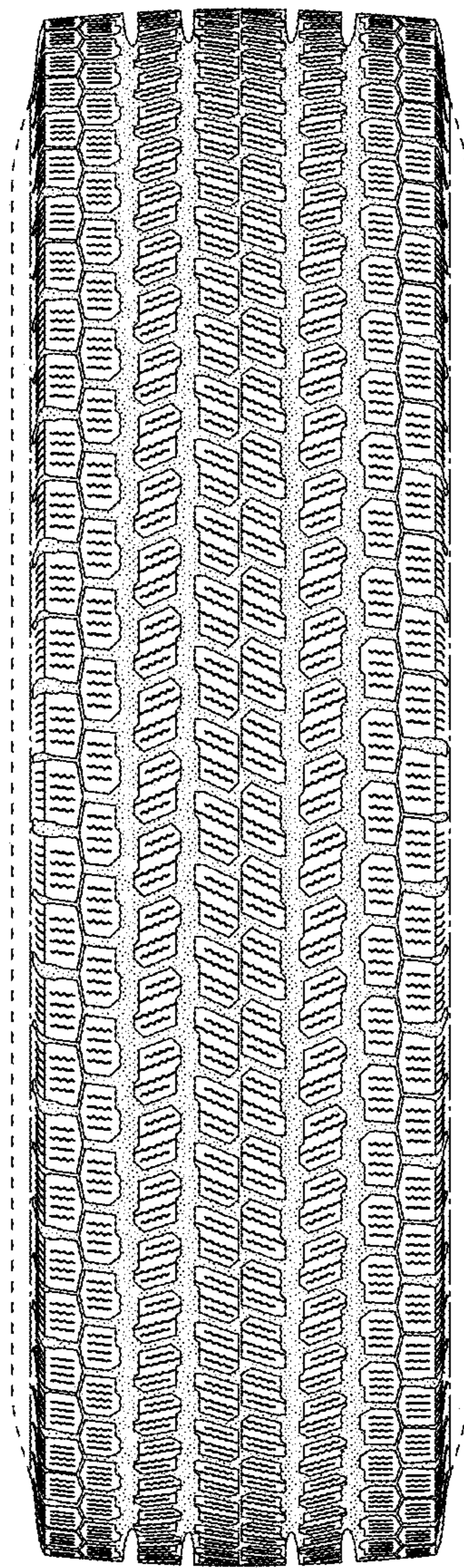


FIG. 4

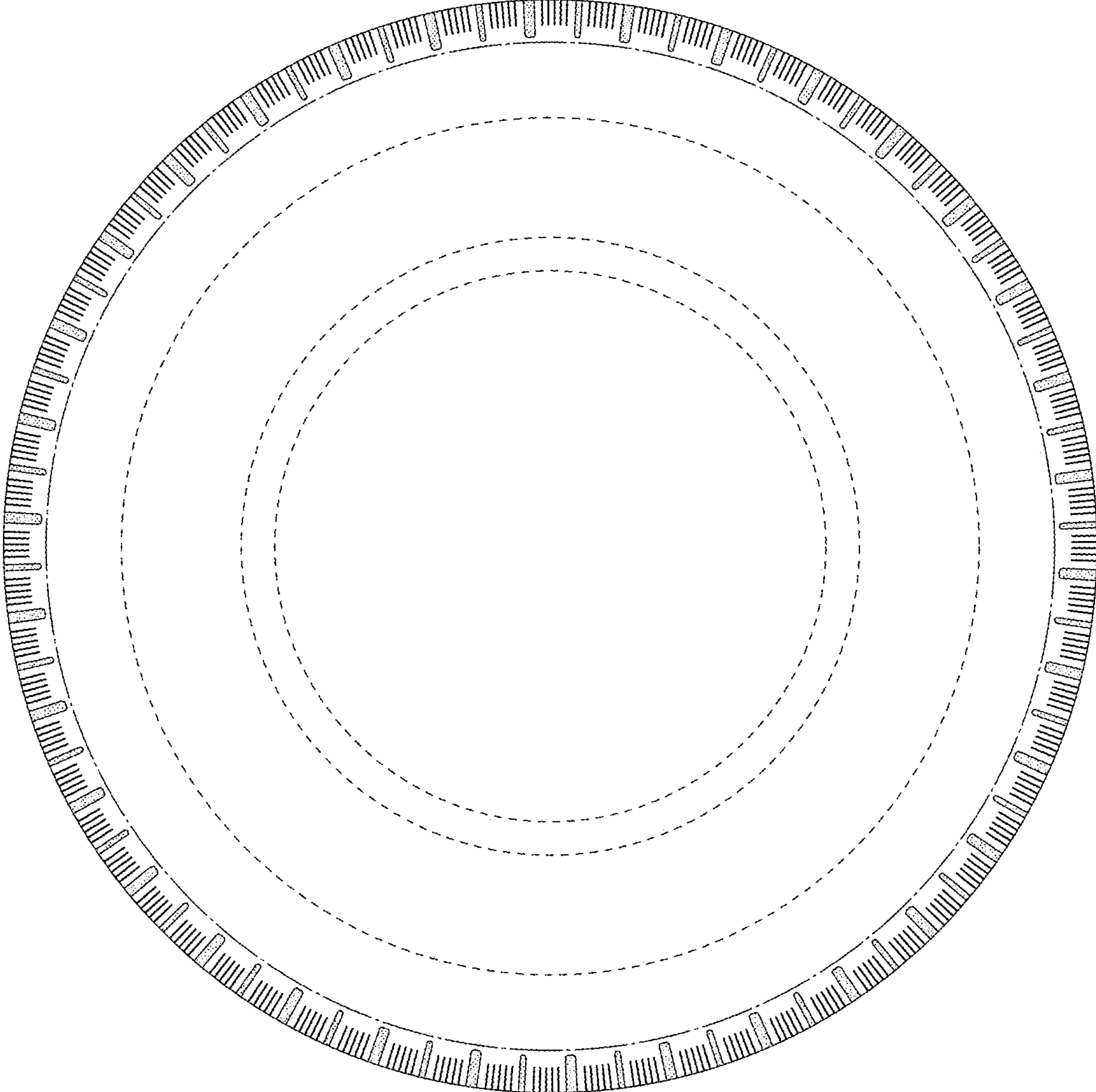


FIG. 5

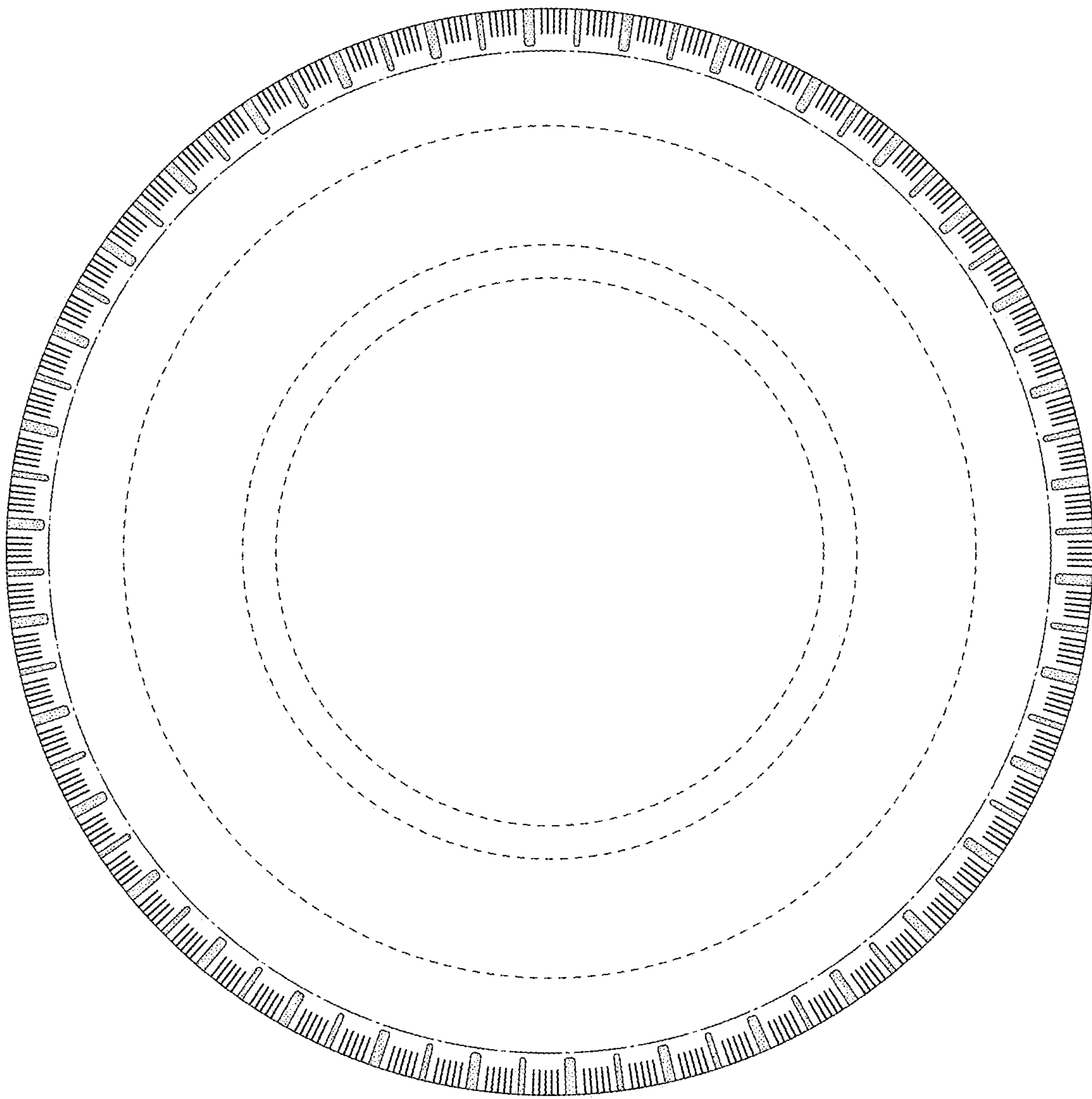


FIG. 6

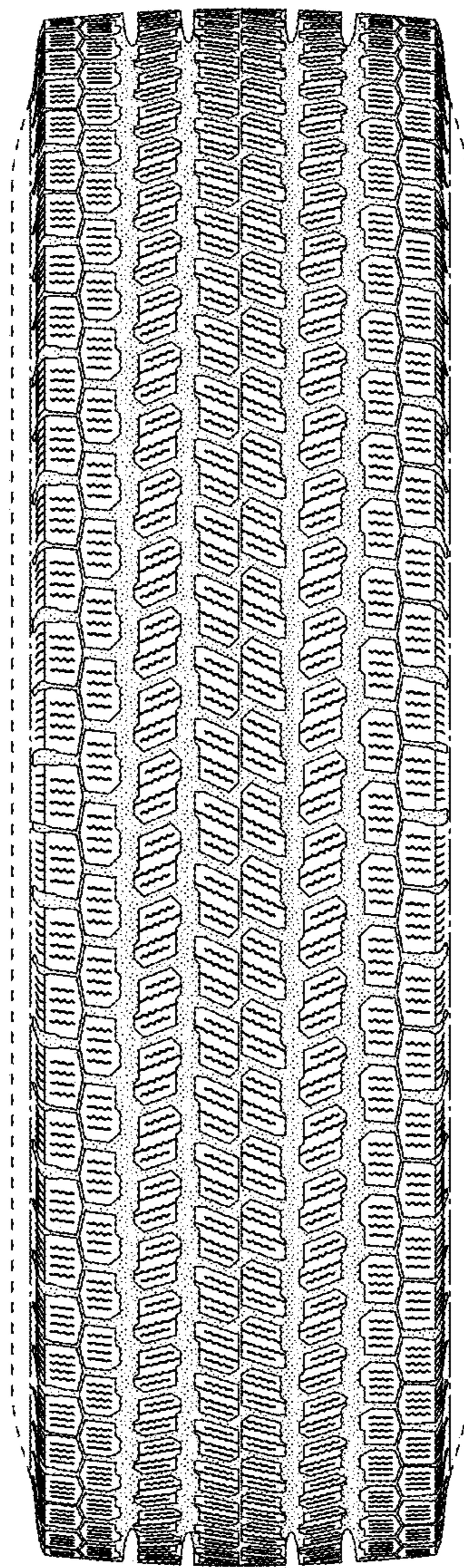


FIG. 7

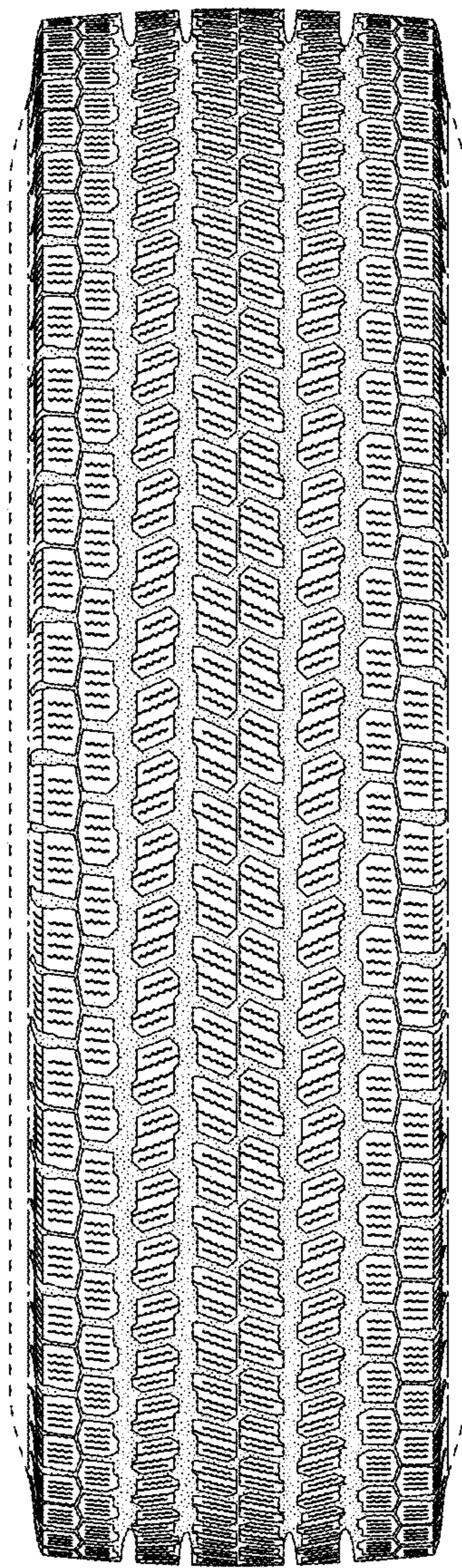


FIG. 8

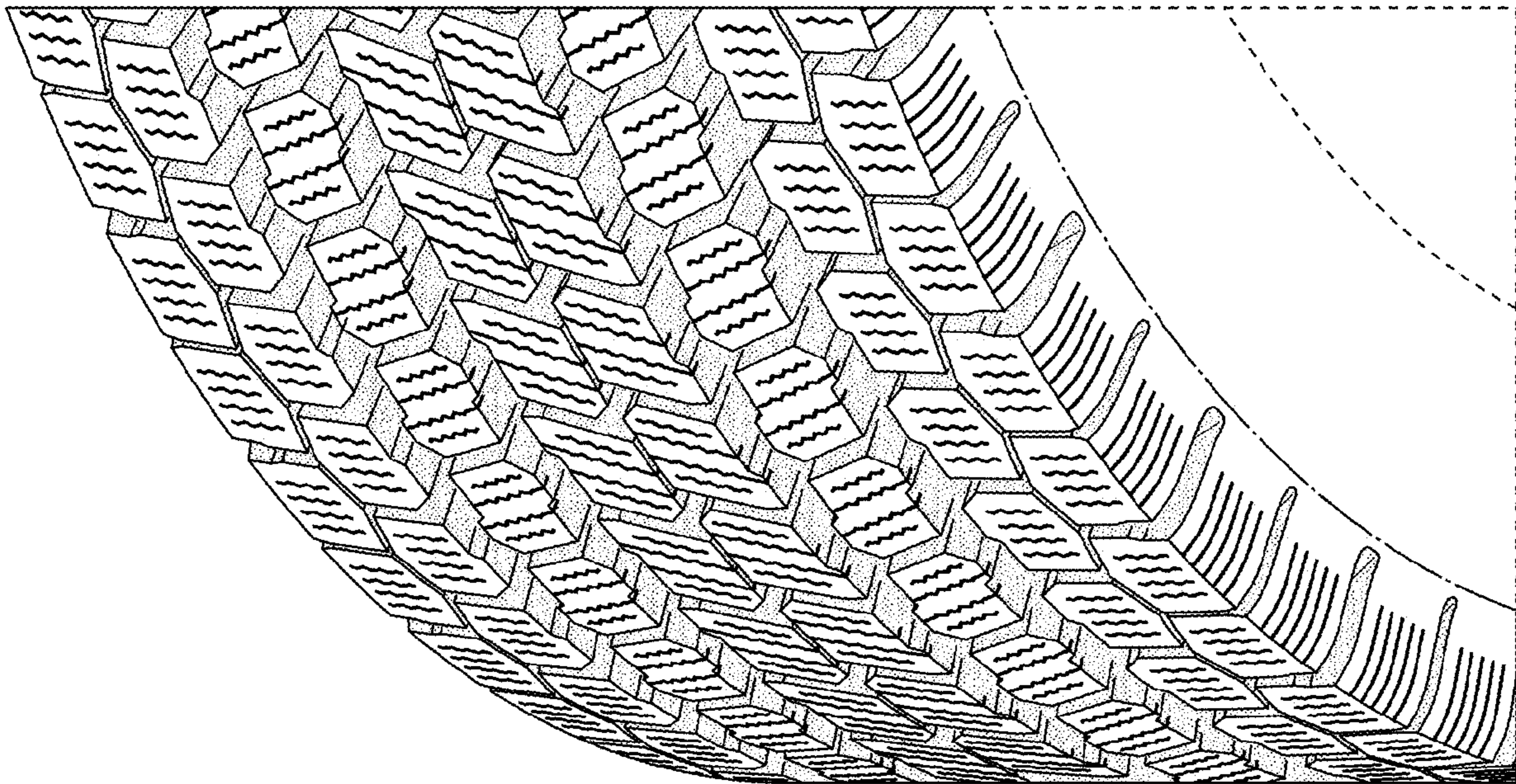


FIG. 9

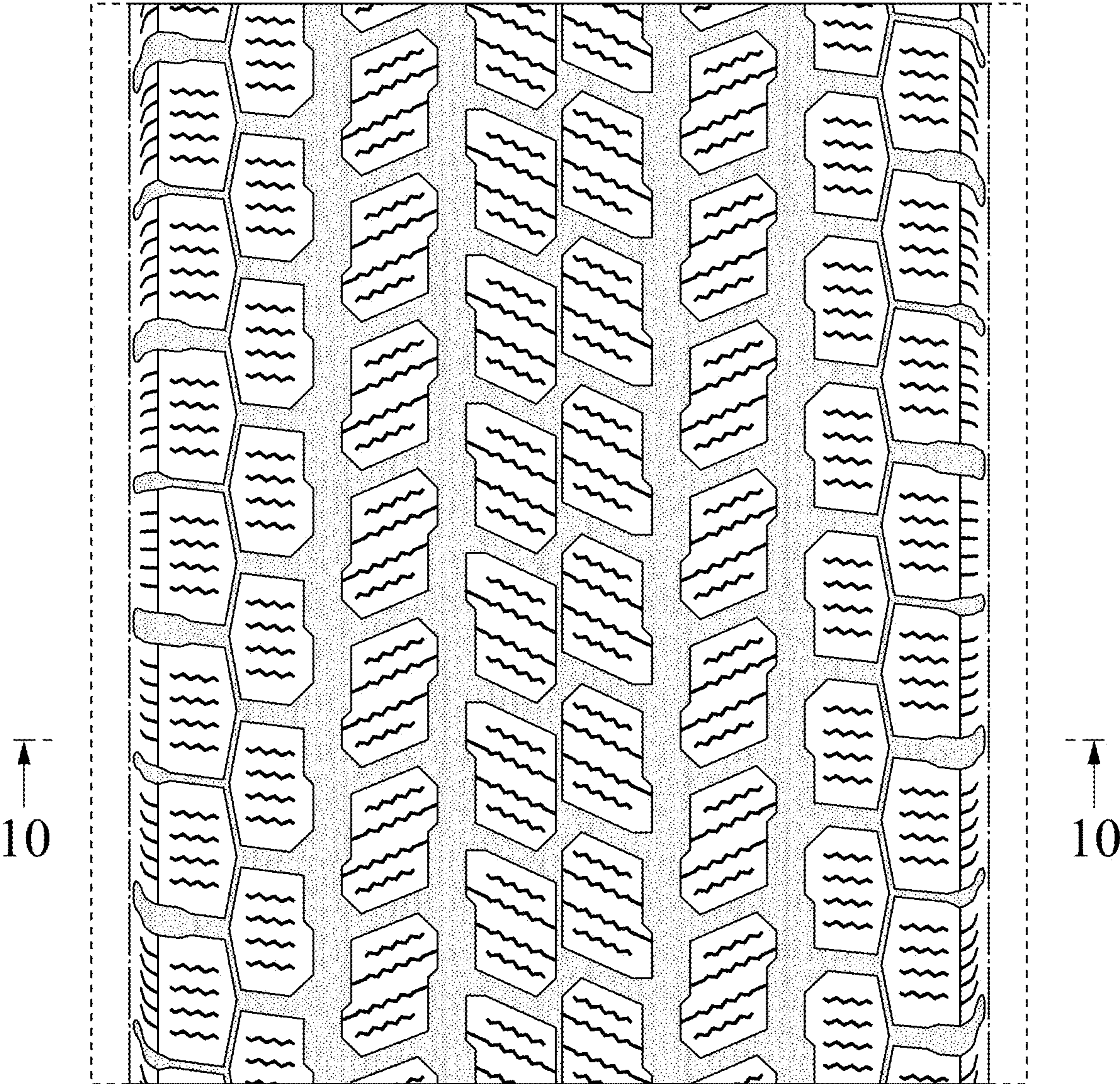


FIG. 10

