



US00D938892S

(12) **United States Design Patent**
Lai

(10) **Patent No.:** **US D938,892 S**

(45) **Date of Patent:** **** Dec. 21, 2021**

(54) **CAR CONSOLE ORGANIZER**
(71) Applicant: **Zeng Di Lai**, Shenzhen (CN)
(72) Inventor: **Zeng Di Lai**, Shenzhen (CN)
(**) Term: **15 Years**

(21) Appl. No.: **29/772,257**

(22) Filed: **Mar. 1, 2021**

(51) **LOC (13) Cl.** **12-16**

(52) **U.S. Cl.**
USPC **D12/415**

(58) **Field of Classification Search**
USPC D12/425, 400, 406, 415-420, 424, 426
CPC B63B 25/00; B63B 7/085; B63B 35/00;
B63B 17/00; B60R 16/04
See application file for complete search history.

(56) **References Cited**

U.S. PATENT DOCUMENTS

D695,796 S	*	12/2013	Lee	D15/89
D770,270 S	*	11/2016	McGarry	D9/423
D823,230 S	*	7/2018	Galib	D12/415
D846,482 S		4/2019	Wu		
D877,690 S	*	3/2020	Bennett	D12/415
D879,015 S	*	3/2020	Besley	D12/424

D890,079 S		7/2020	Chen		
D894,816 S	*	9/2020	Rios	D12/415
D901,371 S	*	11/2020	Besley	B65D 1/36 D12/415
D907,565 S	*	1/2021	Carnes	D12/415
D922,843 S	*	6/2021	Handley	D8/71
D922,934 S	*	6/2021	Sanders	D12/415
D925,435 S	*	7/2021	Tung	D12/415
D929,309 S	*	8/2021	Ferrier	D12/415

* cited by examiner

Primary Examiner — Katrina A Betton

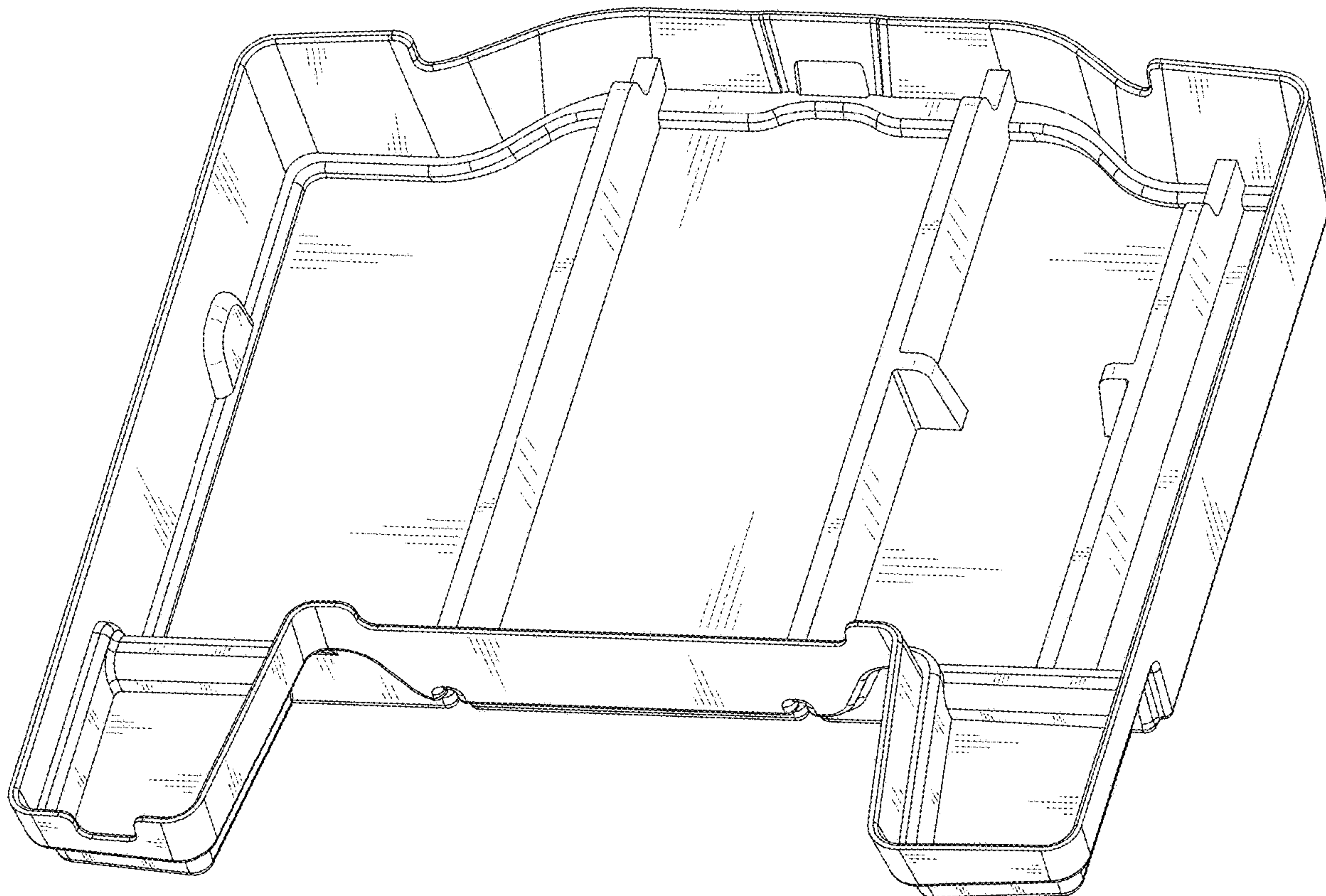
(57) **CLAIM**

The ornamental design for a car console organizer, as shown and described.

DESCRIPTION

FIG. 1 is a perspective view of a car console organizer showing my new design;
FIG. 2 is another perspective view thereof;
FIG. 3 is a front elevational view thereof;
FIG. 4 is a rear elevational view thereof;
FIG. 5 is a left side elevational view thereof;
FIG. 6 is a right side elevational view thereof;
FIG. 7 is a top plan view thereof; and,
FIG. 8 is a bottom plan view thereof.

1 Claim, 8 Drawing Sheets



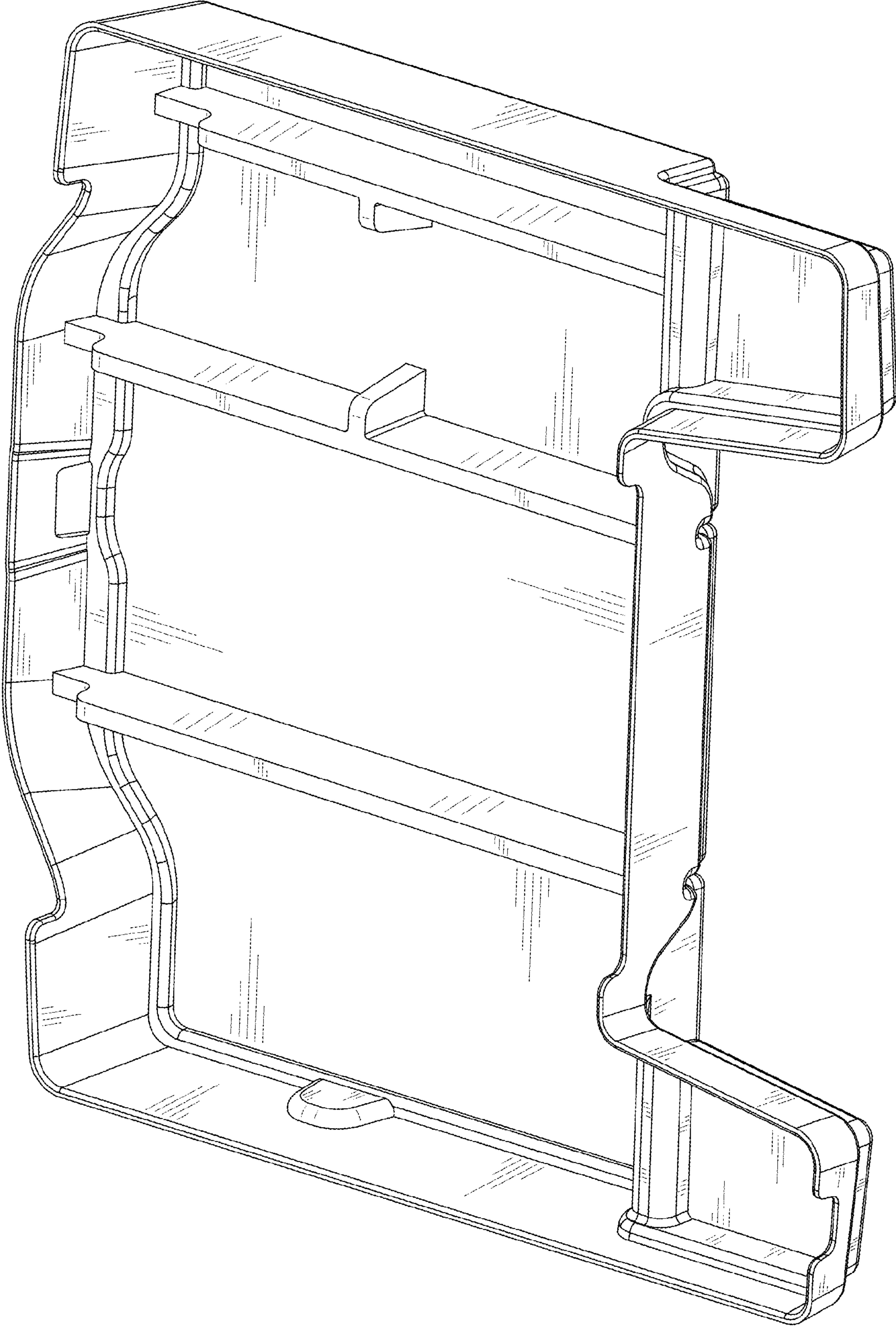


FIG. 1

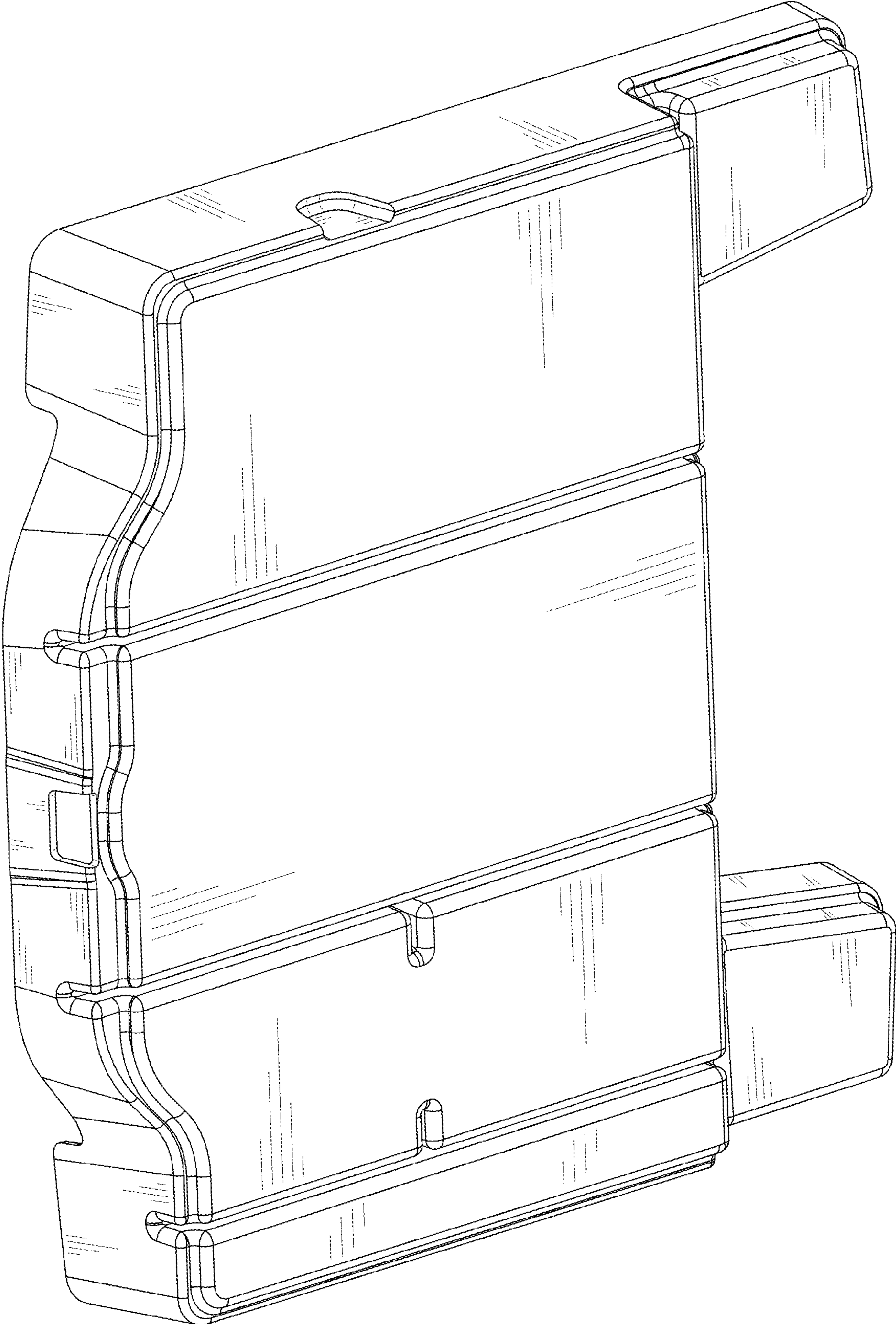


FIG. 2

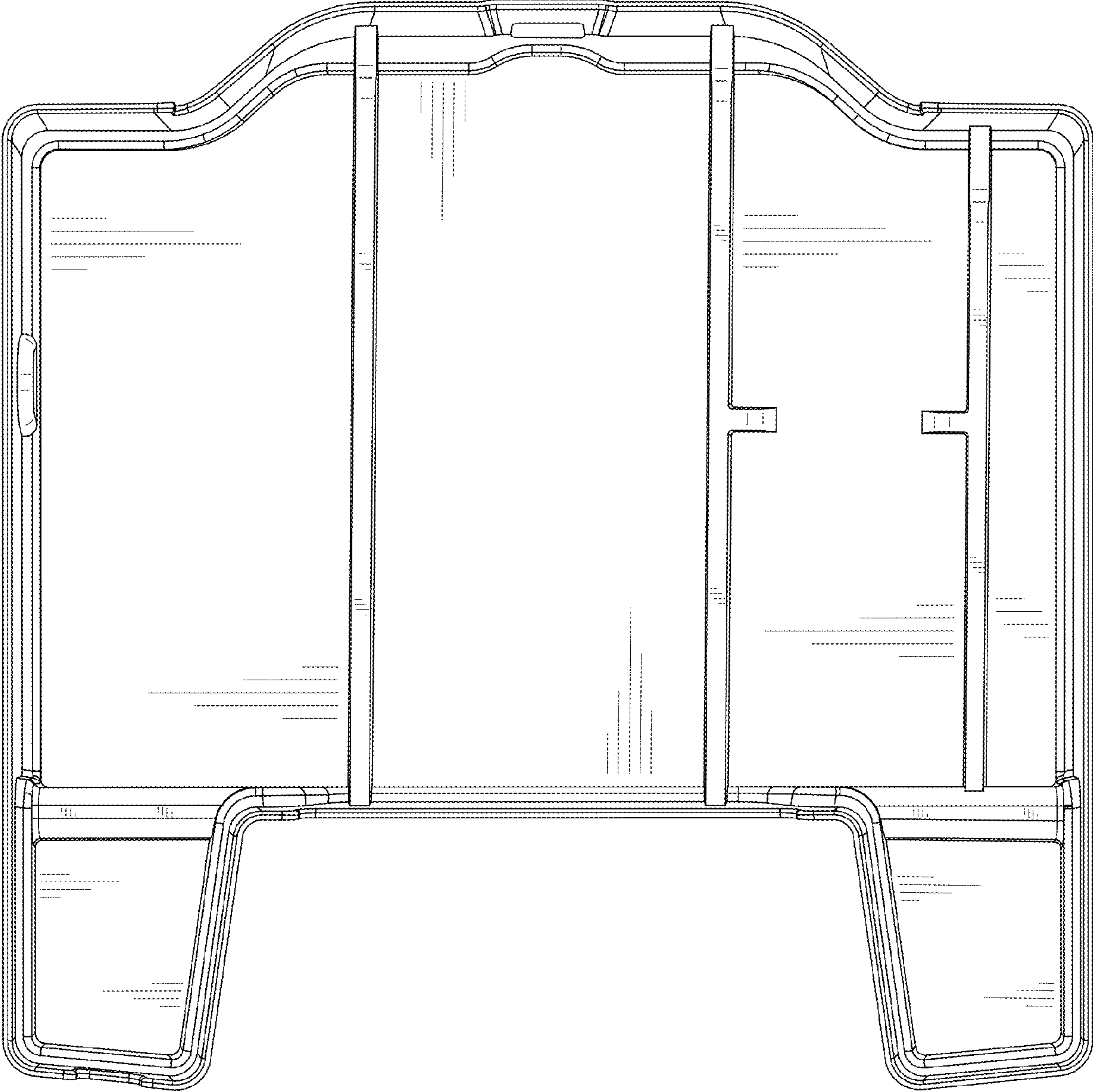


FIG. 3

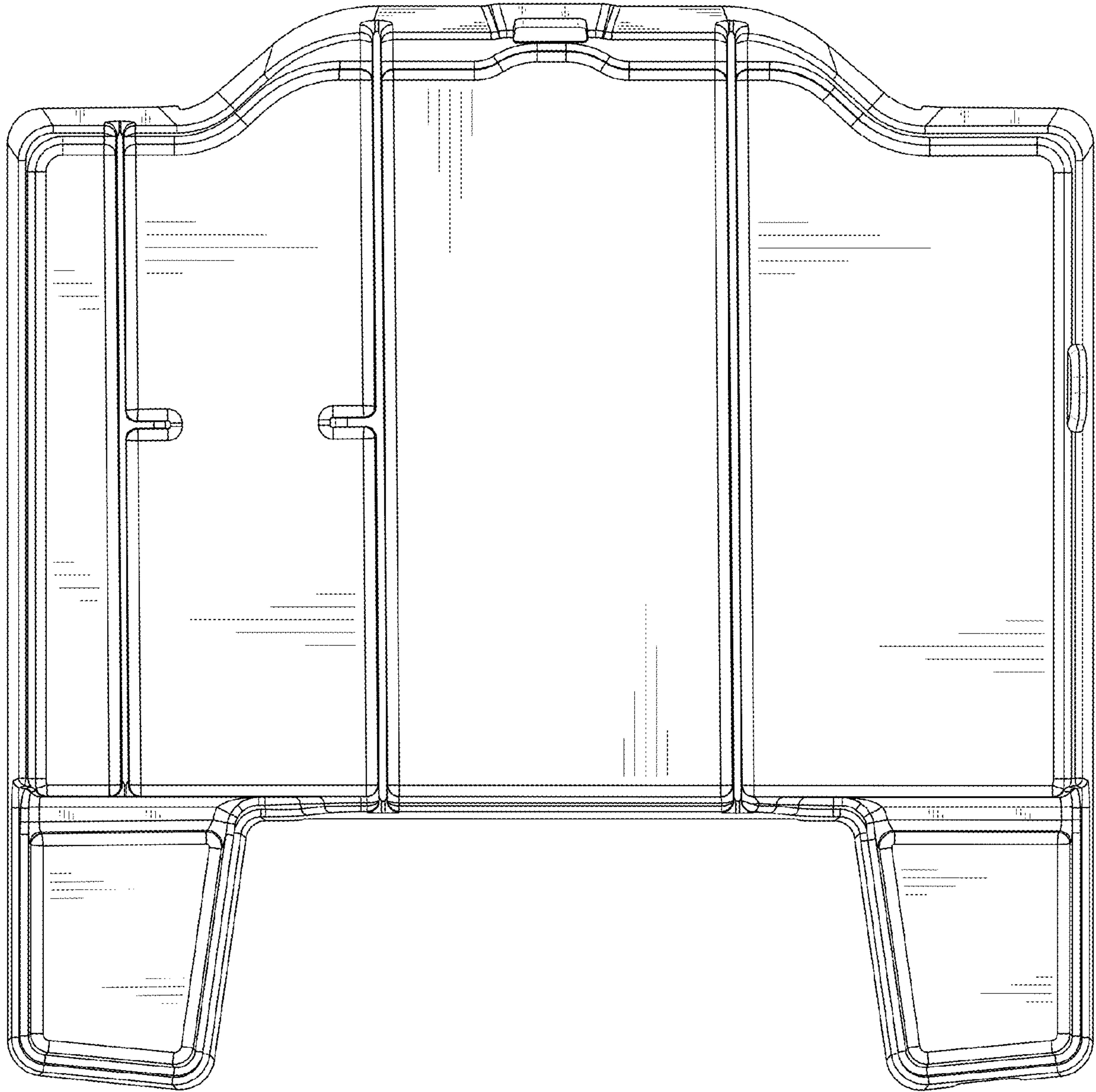


FIG. 4

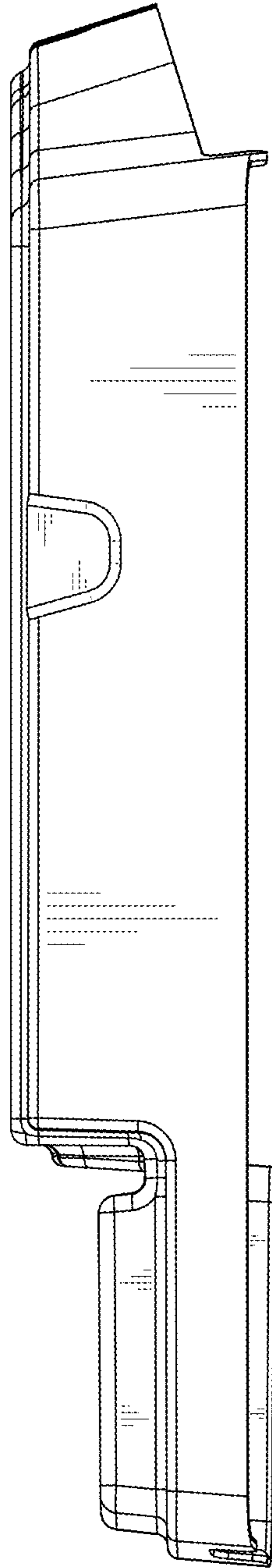


FIG. 5

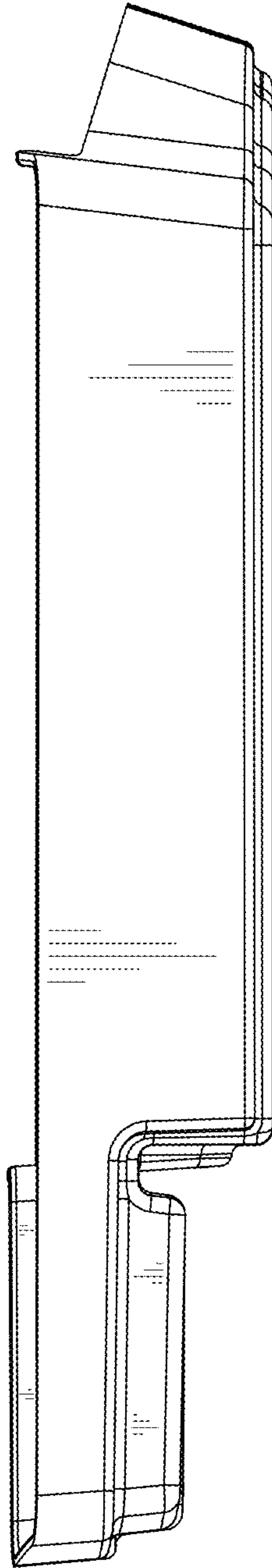


FIG. 6

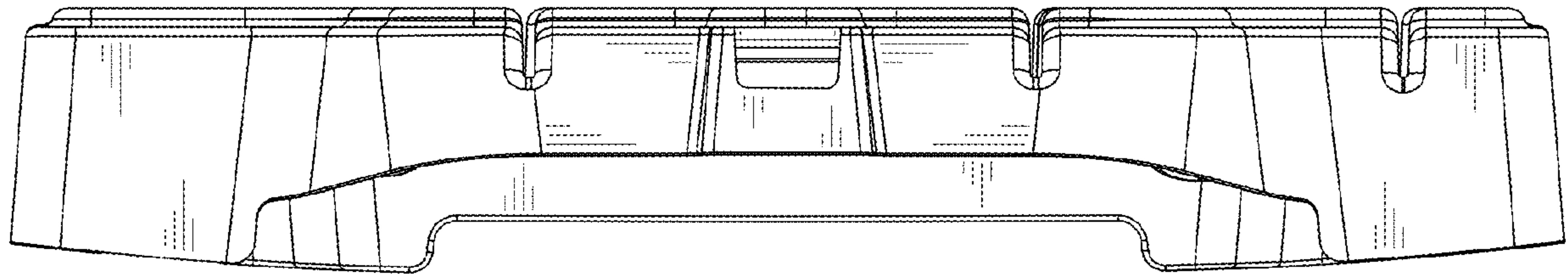


FIG. 7

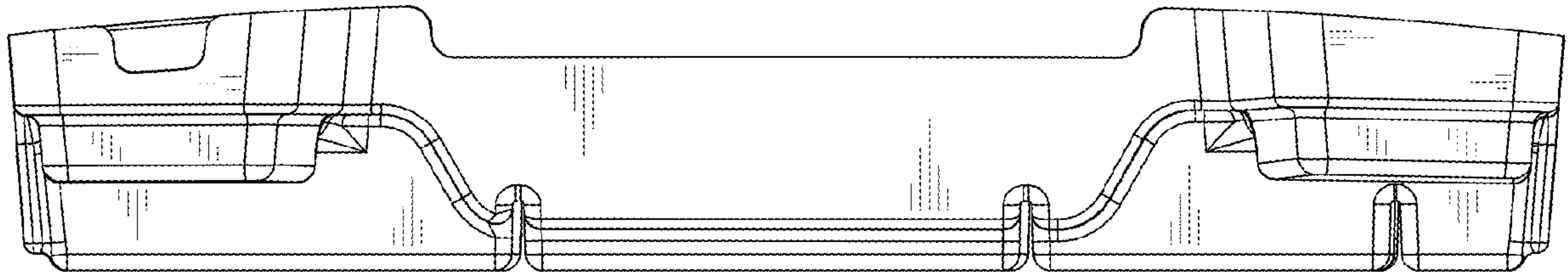


FIG. 8