



US00D938890S

(12) **United States Design Patent** (10) **Patent No.:** **US D938,890 S**
Min (45) **Date of Patent:** **** Dec. 21, 2021**

(54) **VEHICLE-TRAVELING TENT**
(71) Applicant: **Shanghai Xuanze Tourist Products Co., Ltd., Shanghai (CN)**
(72) Inventor: **Xiaoping Min, Sichuan (CN)**
(73) Assignee: **Shanghai Xuanze Tourist Products Co., Ltd., Shanghai (CN)**

D796,420 S * 9/2017 Abrams D12/403
D813,144 S * 3/2018 McGregor D12/403
D813,782 S * 3/2018 Cropley D12/403
D820,192 S * 6/2018 Currid D12/403
D823,419 S 7/2018 Ceccaldi
D824,322 S * 7/2018 Rossi D12/403
D902,125 S * 11/2020 Matras D12/403
D902,833 S * 11/2020 McGregor D12/403
D915,995 S * 4/2021 Kerr D12/403

* cited by examiner

(**) Term: **15 Years**

Primary Examiner — Katrina A Betton

(21) Appl. No.: **29/776,348**

(74) *Attorney, Agent, or Firm* — ScienBiziP, P.C.

(22) Filed: **Mar. 30, 2021**

(57) **CLAIM**

(30) **Foreign Application Priority Data**

The ornamental design for a vehicle-traveling tent, as shown and described.

Sep. 30, 2020 (CN) 202030594034.4

DESCRIPTION

(51) **LOC (13) Cl.** **12-16**

FIG. 1 is a front, right, and top perspective view of a vehicle-traveling tent, showing my design.

(52) **U.S. Cl.**

FIG. 2 is a rear, left, and bottom perspective view thereof.

USPC **D12/403**

FIG. 3 is a front elevation view thereof.

(58) **Field of Classification Search**

FIG. 4 is a rear elevation view thereof.

USPC D12/401–405; D6/610, 611, 596,
D6/601–603, 615, 617, 621; D7/332,
D7/334–337

FIG. 5 is a left side elevation view thereof.

CPC B65D 85/68; B65D 31/16; B65D 33/02;
B60R 5/04; B60R 5/045; B60P 7/04

FIG. 6 is a right side elevation view thereof.

See application file for complete search history.

FIG. 7 is a top plan view thereof.

(56) **References Cited**

FIG. 8 is a bottom plan view thereof.

U.S. PATENT DOCUMENTS

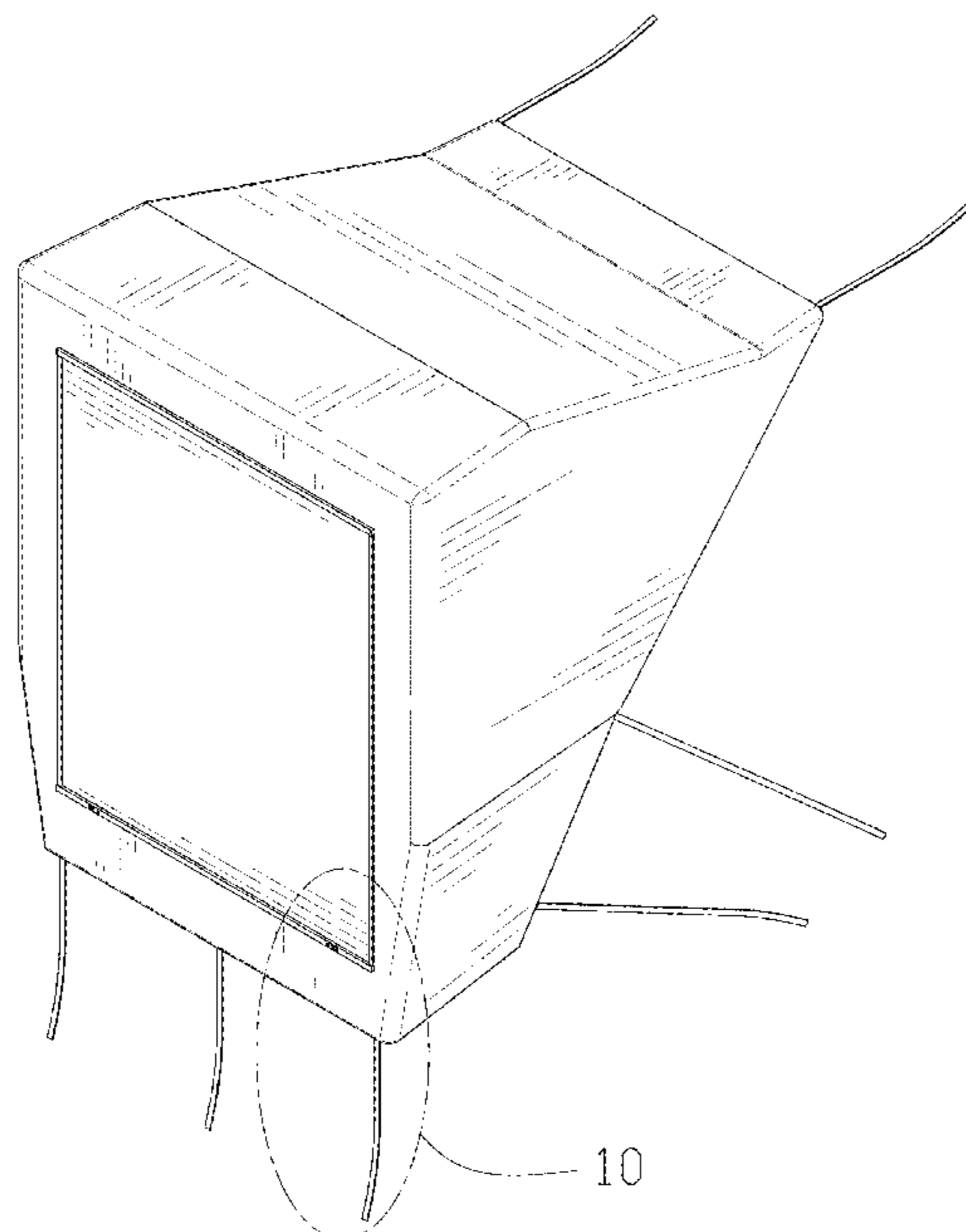
FIG. 9 is a front, right, and top perspective view of the vehicle-traveling tent in FIG. 1 showing a state on a vehicle; and,

D430,638 S 9/2000 Allen
D503,143 S * 3/2005 Napieraj D12/403
D583,747 S * 12/2008 Napieraj D12/403
D651,678 S * 1/2012 Muggleton D21/834
D732,460 S * 6/2015 Seneker D12/403
D756,889 S * 5/2016 Cover D12/403

FIG. 10 is a partial enlarged view of an area labeled 10 in FIG. 1 showing a lower right corner of the vehicle-traveling tent and a tape.

The broken lines shown in the drawings are included for the purpose of illustrating portions of the vehicle-traveling tent that form no part of the claimed design.

1 Claim, 10 Drawing Sheets



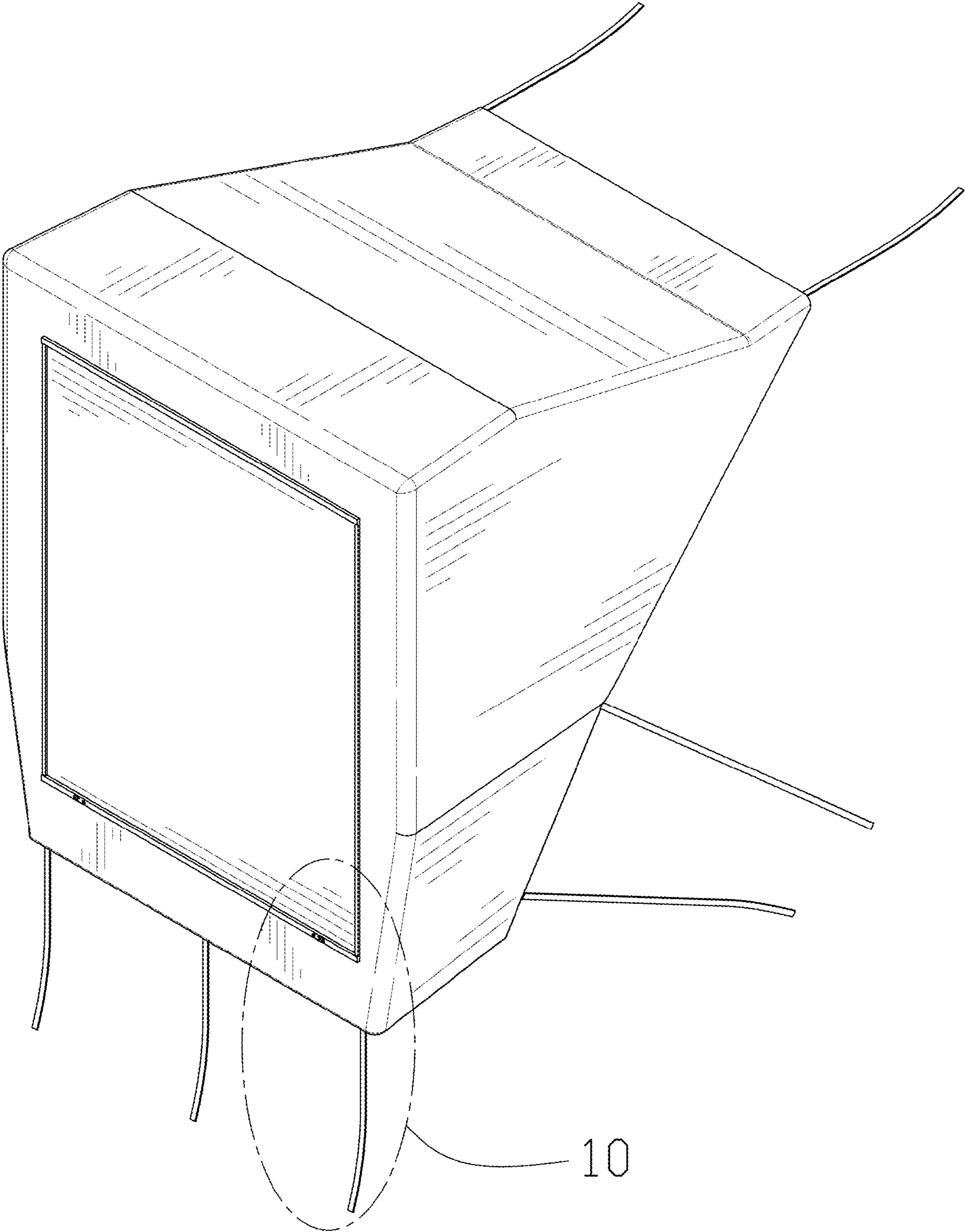


FIG. 1

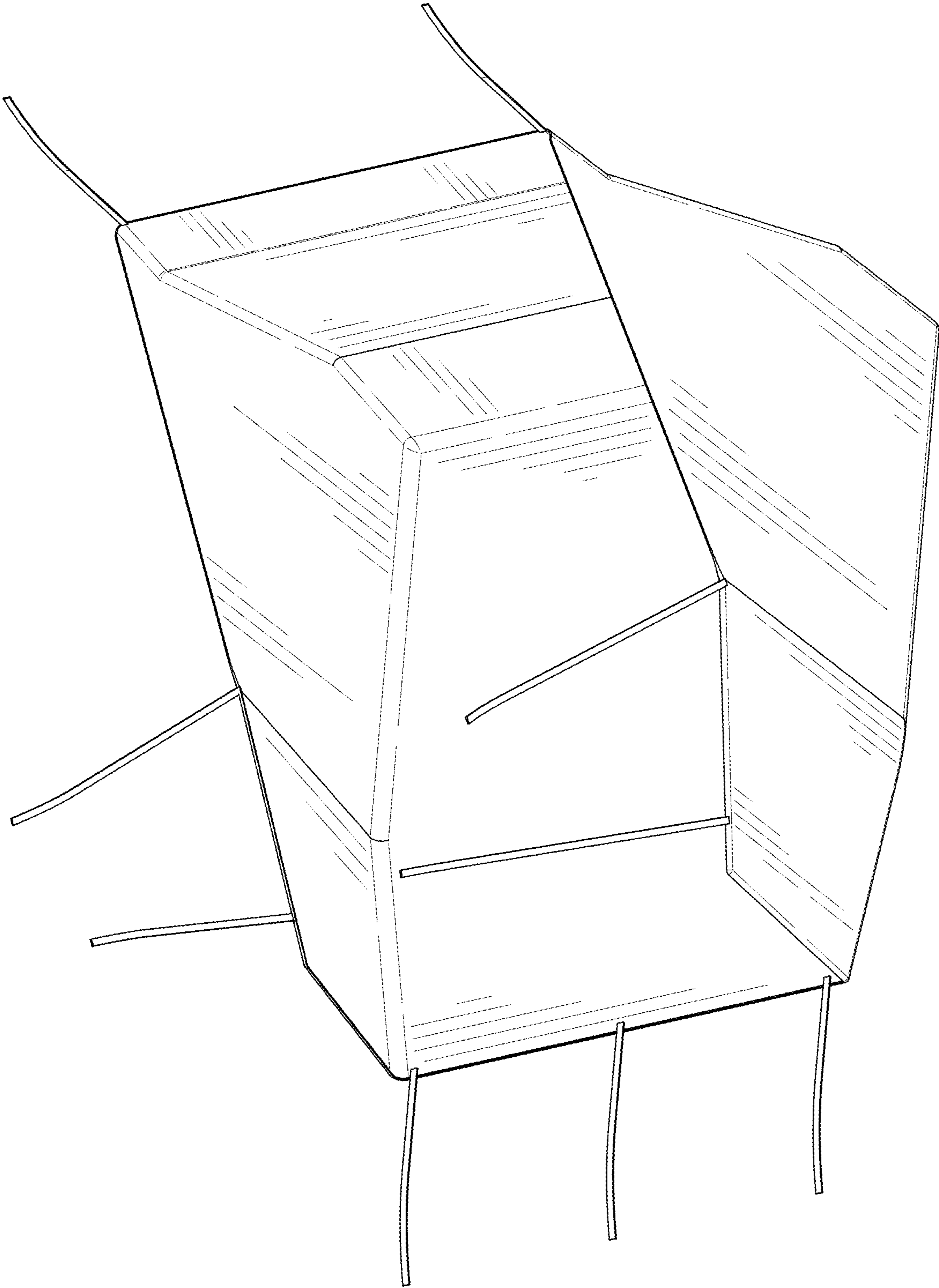


FIG. 2

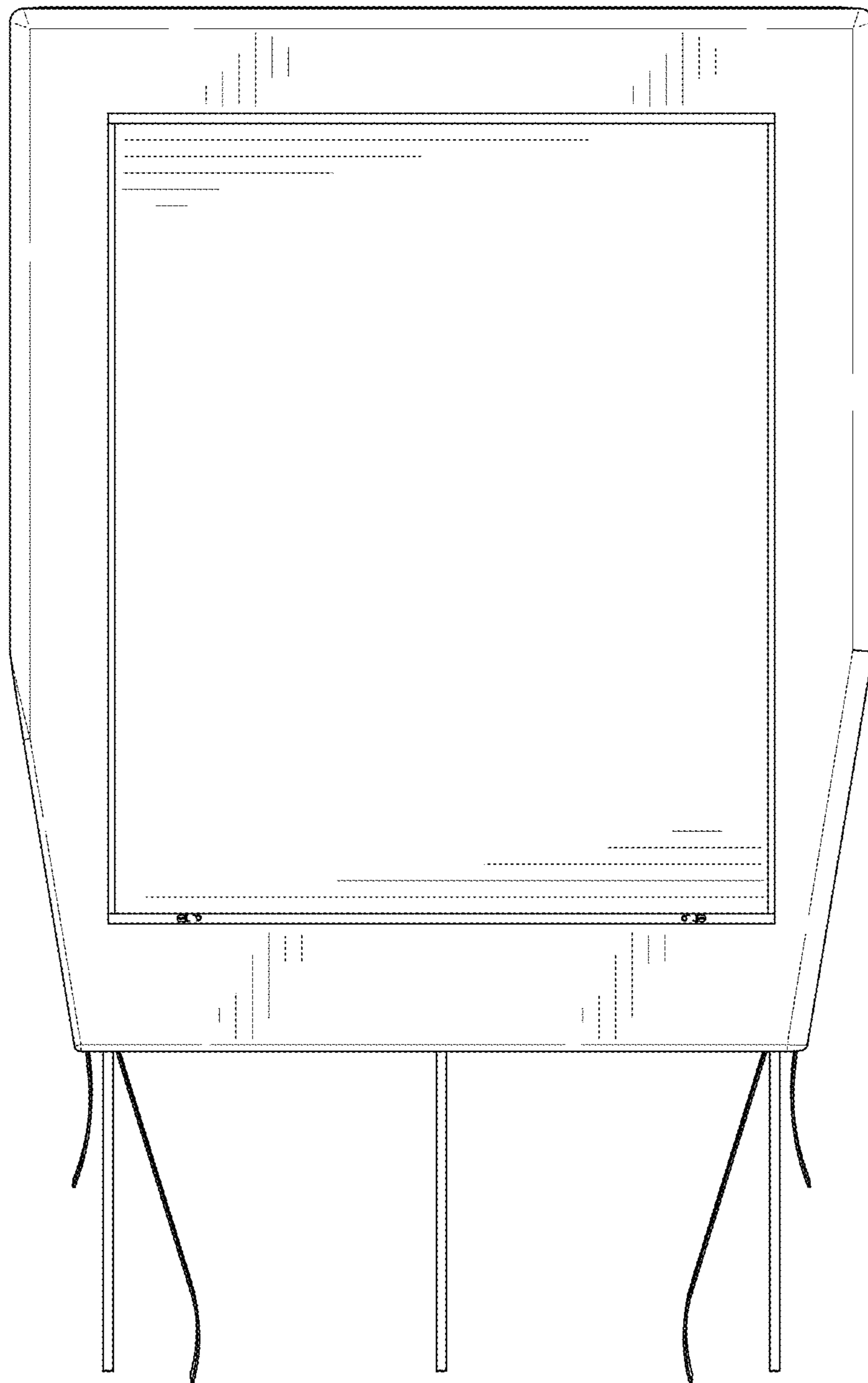


FIG. 3

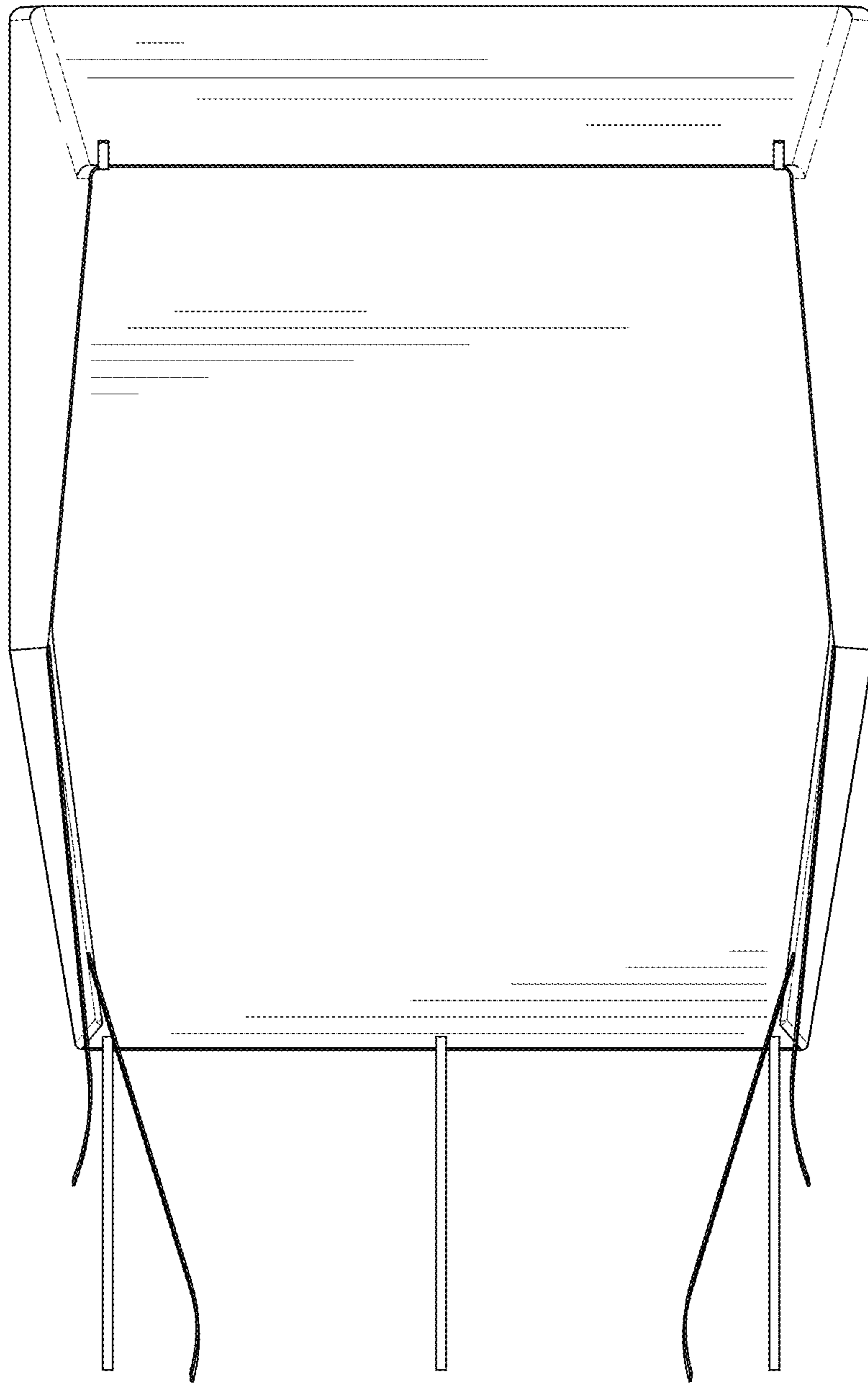


FIG. 4

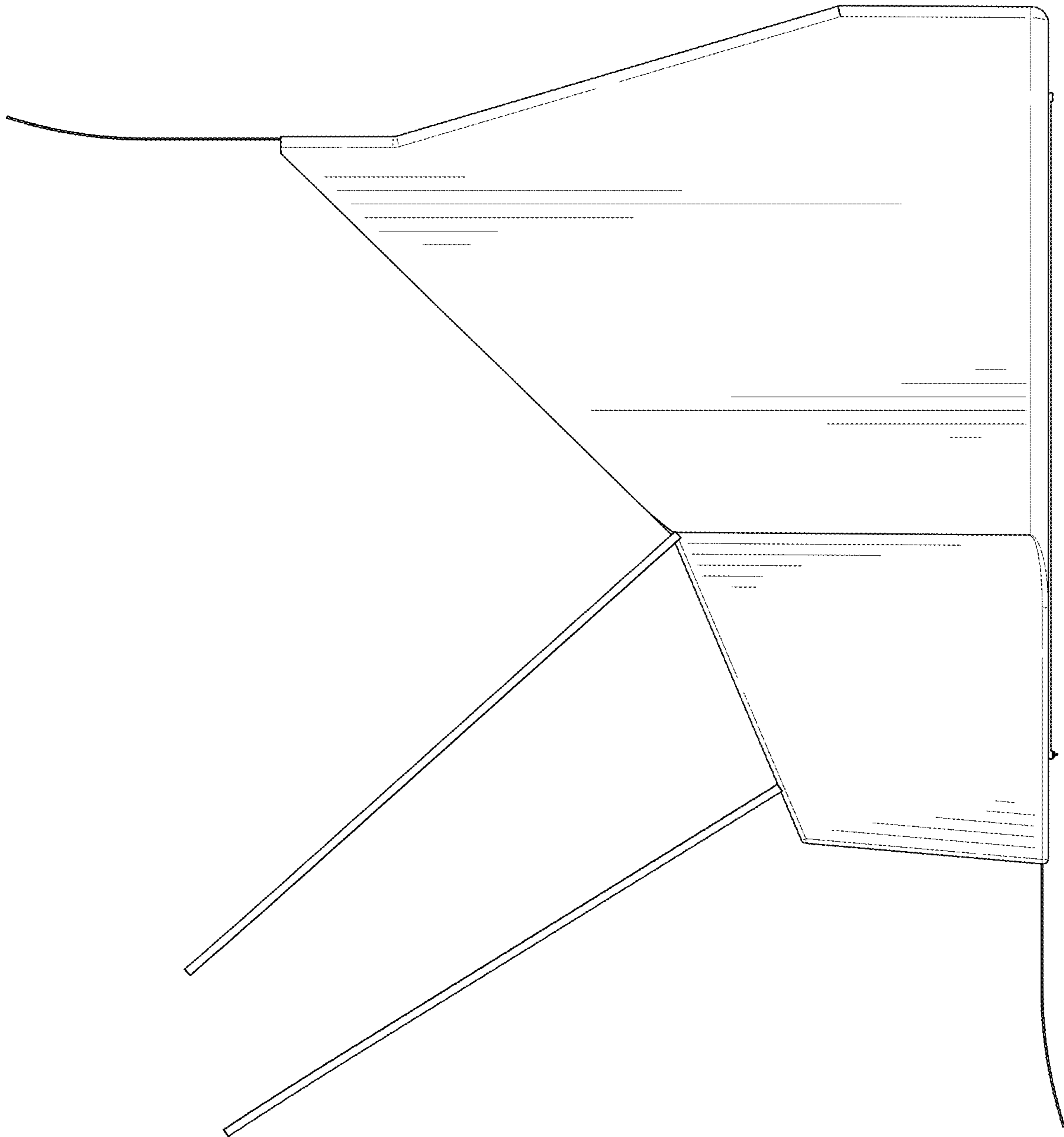


FIG. 5

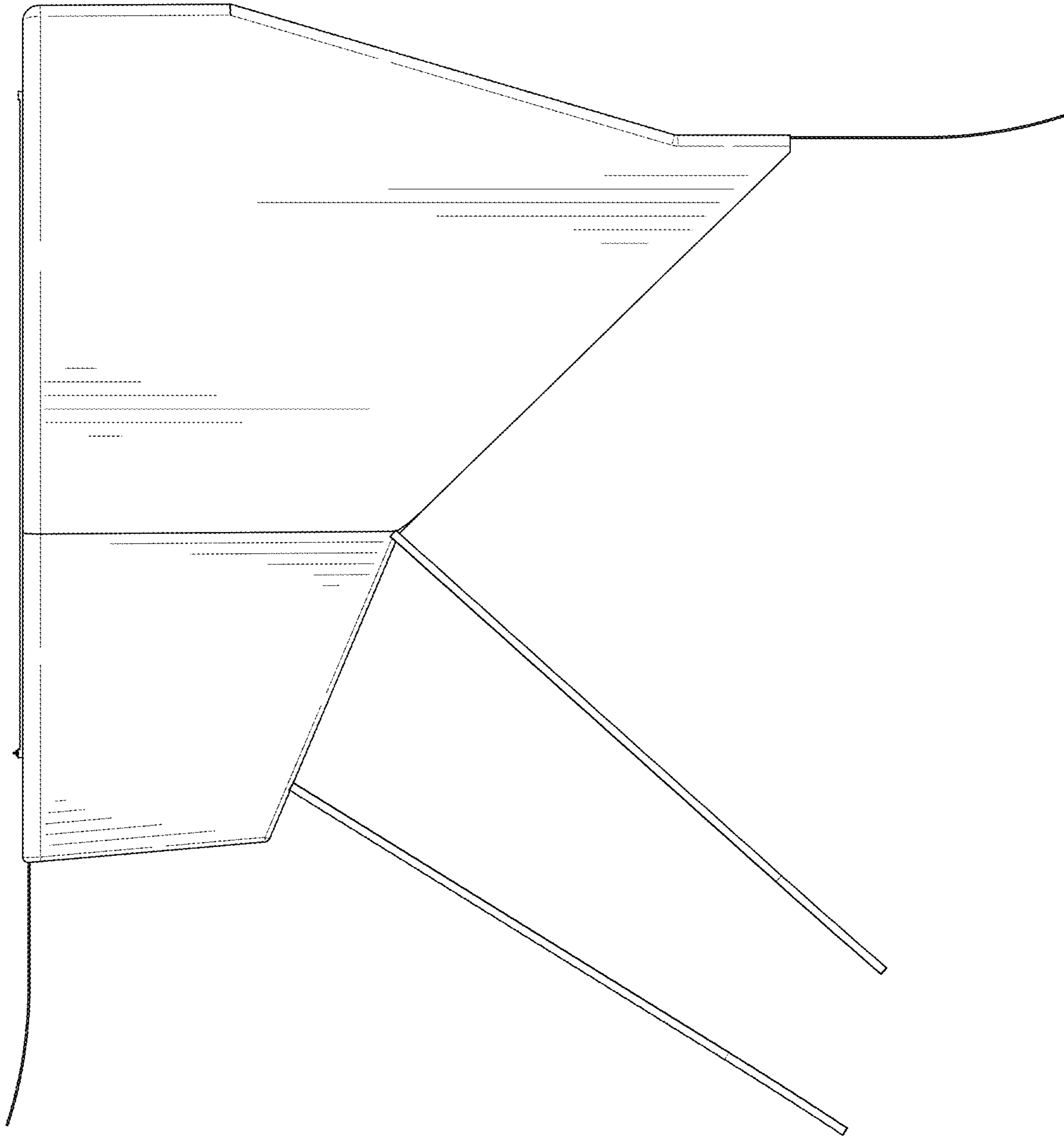


FIG. 6

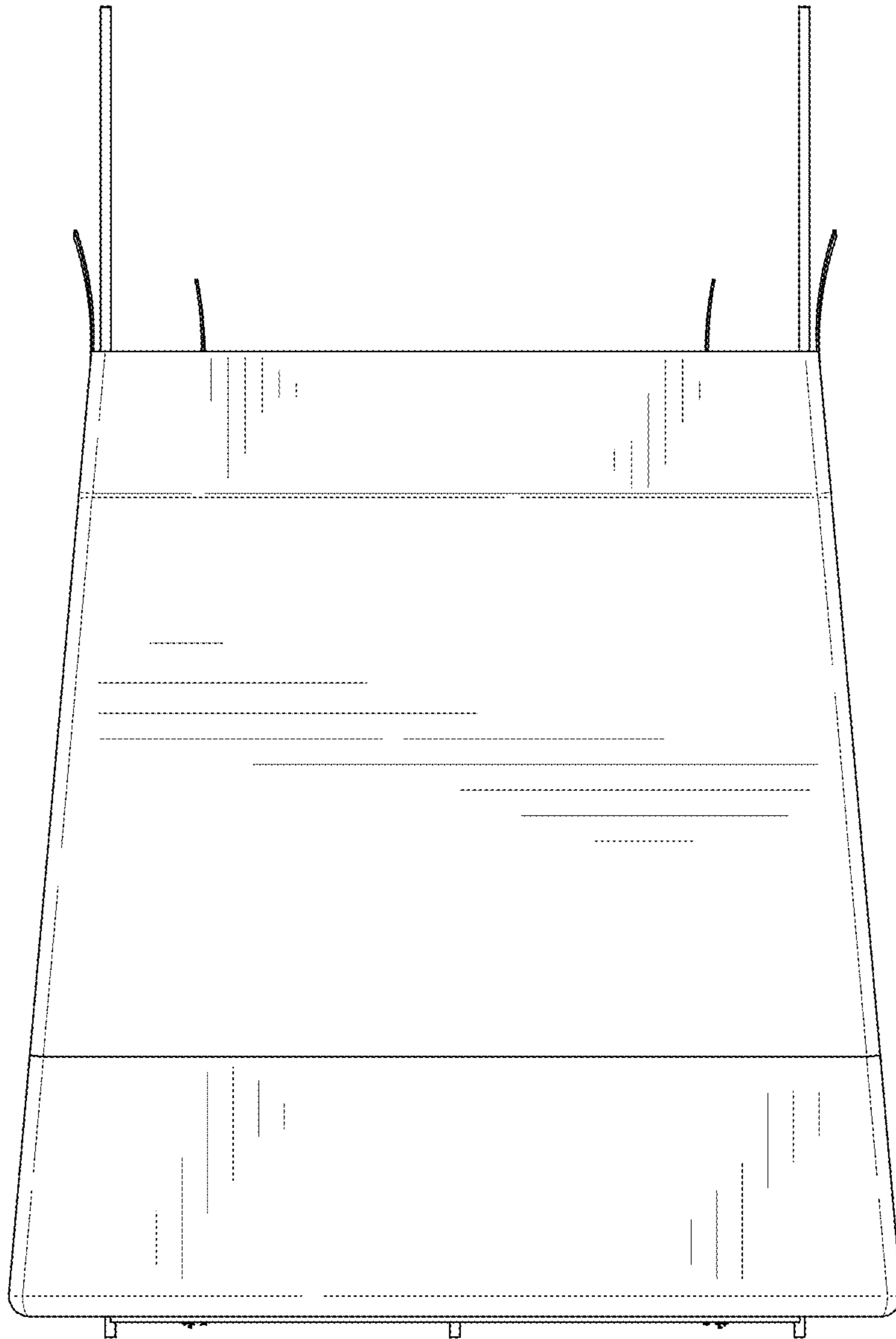


FIG. 7

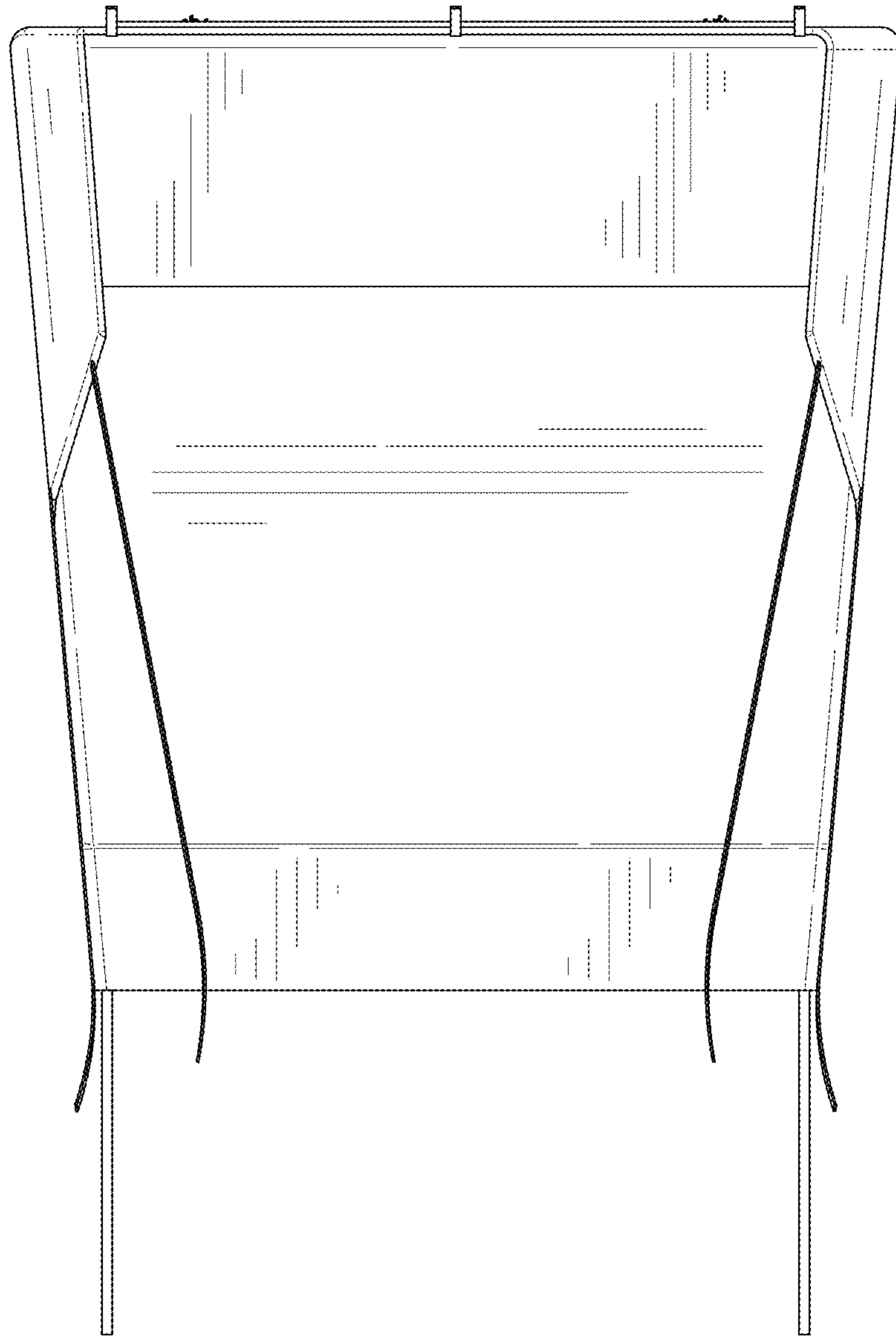


FIG. 8

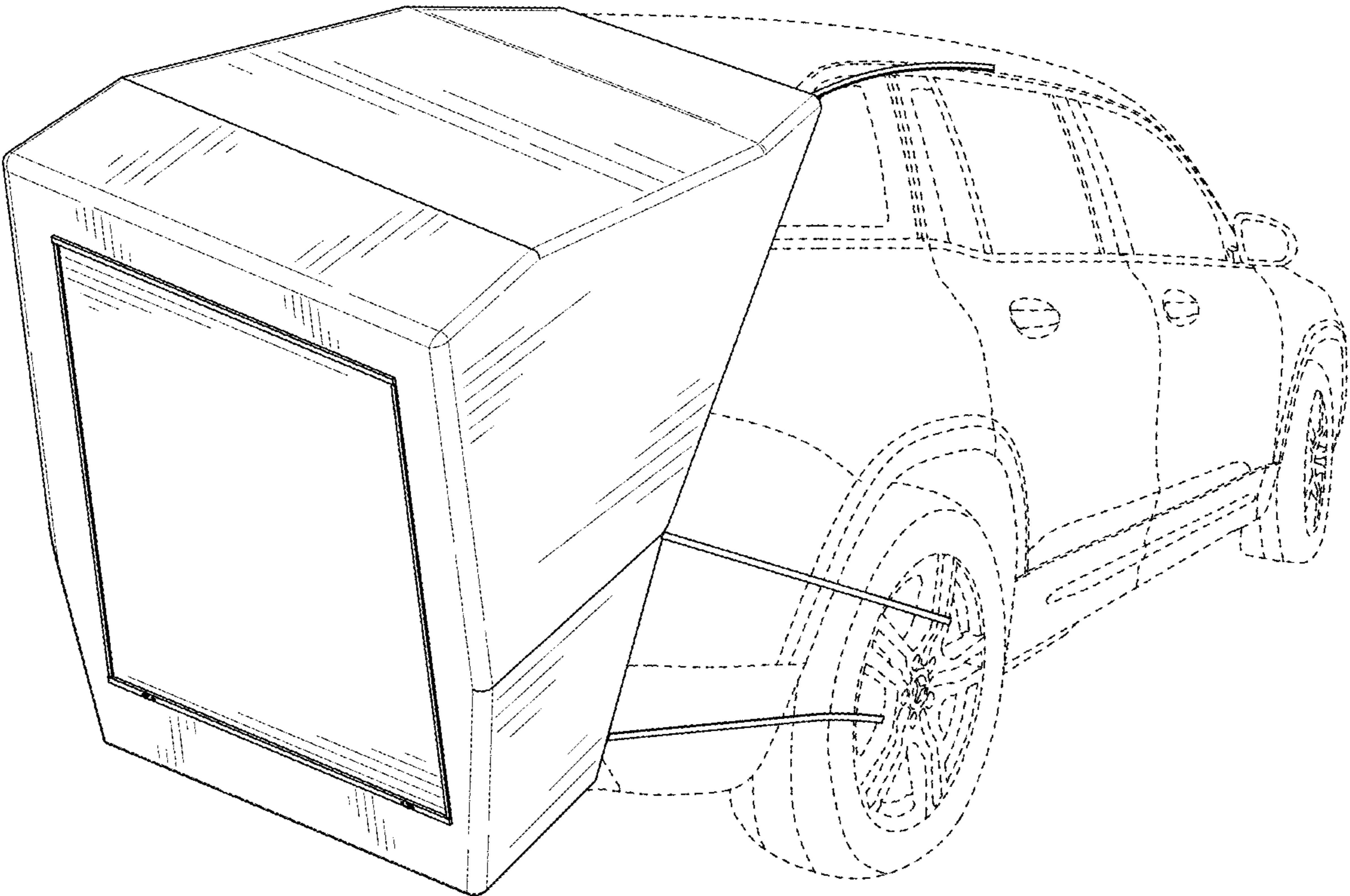


FIG. 9

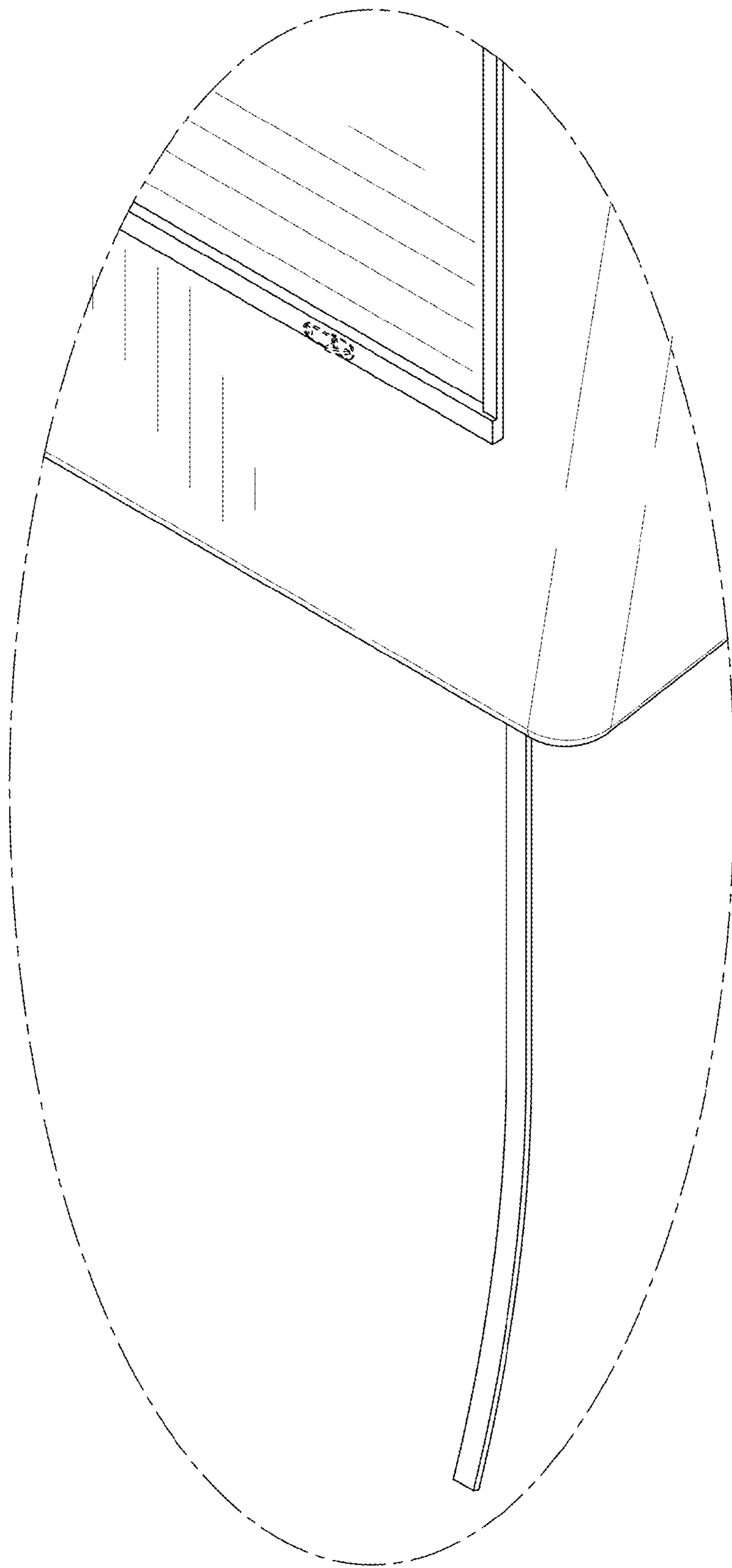


FIG. 10