



US00D938883S

(12) **United States Design Patent**
Tirado et al.

(10) **Patent No.:** **US D938,883 S**

(45) **Date of Patent:** **** Dec. 21, 2021**

(54) **WHEEL RIM**

(71) Applicants: **Mark Tirado**, Oxnard, CA (US);
Dolores Day, Clayton, CA (US)

(72) Inventors: **Mark Tirado**, Oxnard, CA (US);
Dolores Day, Clayton, CA (US)

(**) Term: **15 Years**

(21) Appl. No.: **29/775,622**

(22) Filed: **Mar. 24, 2021**

(51) **LOC (13) Cl.** **12-16**

(52) **U.S. Cl.**
USPC **D12/209**

(58) **Field of Classification Search**

USPC D12/204–213; D21/563
CPC B60B 7/00; B60B 7/02; B60B 7/04; B60B
7/01; B60B 7/06; B60B 3/02; B60B 3/04;
B60B 3/06; B60B 3/10; B60B 1/00;
B60B 1/08; B60B 1/10; B60B 1/12

See application file for complete search history.

(56) **References Cited**

U.S. PATENT DOCUMENTS

D436,911 S *	1/2001	Chung	D12/211
D441,707 S *	5/2001	Hussaini	D12/209
D531,564 S *	11/2006	Martin	D12/209
D532,358 S *	11/2006	Blasi	D12/211
D722,000 S *	2/2015	Kern	D12/209
D740,196 S *	10/2015	Valencia Pollex	D12/209
D745,841 S *	12/2015	Ferrett	D12/209
D756,877 S *	5/2016	Huang	D12/209
D789,866 S *	6/2017	Giolito	D12/211
D823,217 S *	7/2018	Chung	D12/209

D825,431 S *	8/2018	Trim	D12/211
D831,556 S *	10/2018	Hodges	D12/209
D846,478 S *	4/2019	Kovacs	D12/209
D857,600 S *	8/2019	Trim	D12/211
D860,093 S *	9/2019	Milani	D12/209
D862,350 S *	10/2019	Woodhouse	D12/209
D863,190 S *	10/2019	Han	D12/209
D870,631 S *	12/2019	Ash	D12/209
D876,310 S *	2/2020	Hamilton	D12/209
D899,999 S *	10/2020	Kong	D12/209
D900,696 S *	11/2020	Han	D12/209
D906,929 S *	1/2021	Ma	D12/209
D906,931 S *	1/2021	Ma	D12/209
D911,910 S *	3/2021	Hale, Jr.	D12/209
D912,589 S *	3/2021	Hale, Jr.	D12/209
D920,206 S *	5/2021	Johnson	D12/209
D921,554 S *	6/2021	Hale	D12/209
D928,057 S *	8/2021	Ruiz	D12/209

* cited by examiner

Primary Examiner — Stacia A Cadmus

(74) *Attorney, Agent, or Firm* — Barry Choobin; Patent
360

(57) **CLAIM**

An ornamental design for a wheel rim, as shown and
described.

DESCRIPTION

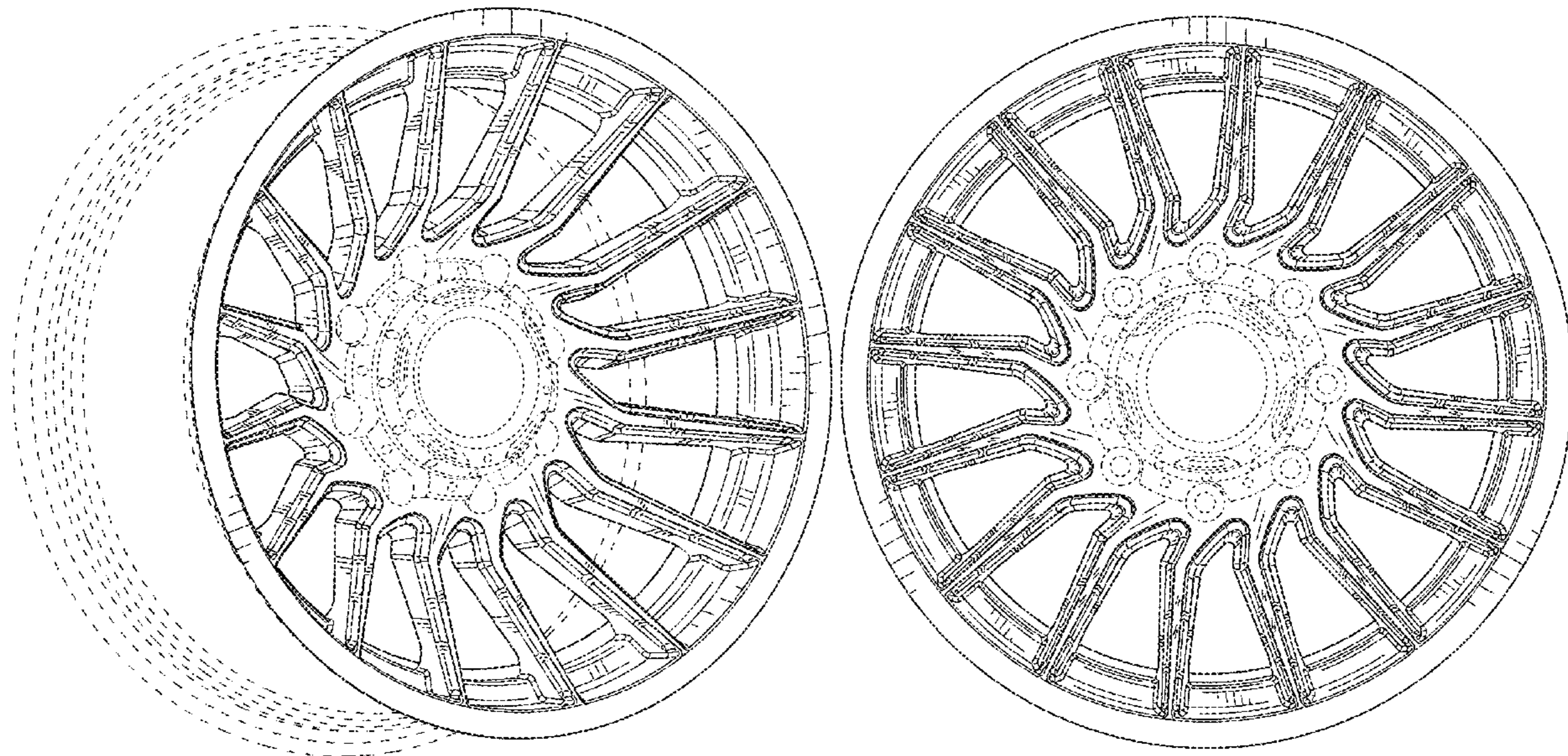
FIG. 1 is a perspective view of the wheel rim, showing my
new design;

FIG. 2 is a front view thereof; and,

FIG. 3 is a side view thereof.

The broken lines depict portions of the article that form no
part of the claimed design.

1 Claim, 3 Drawing Sheets



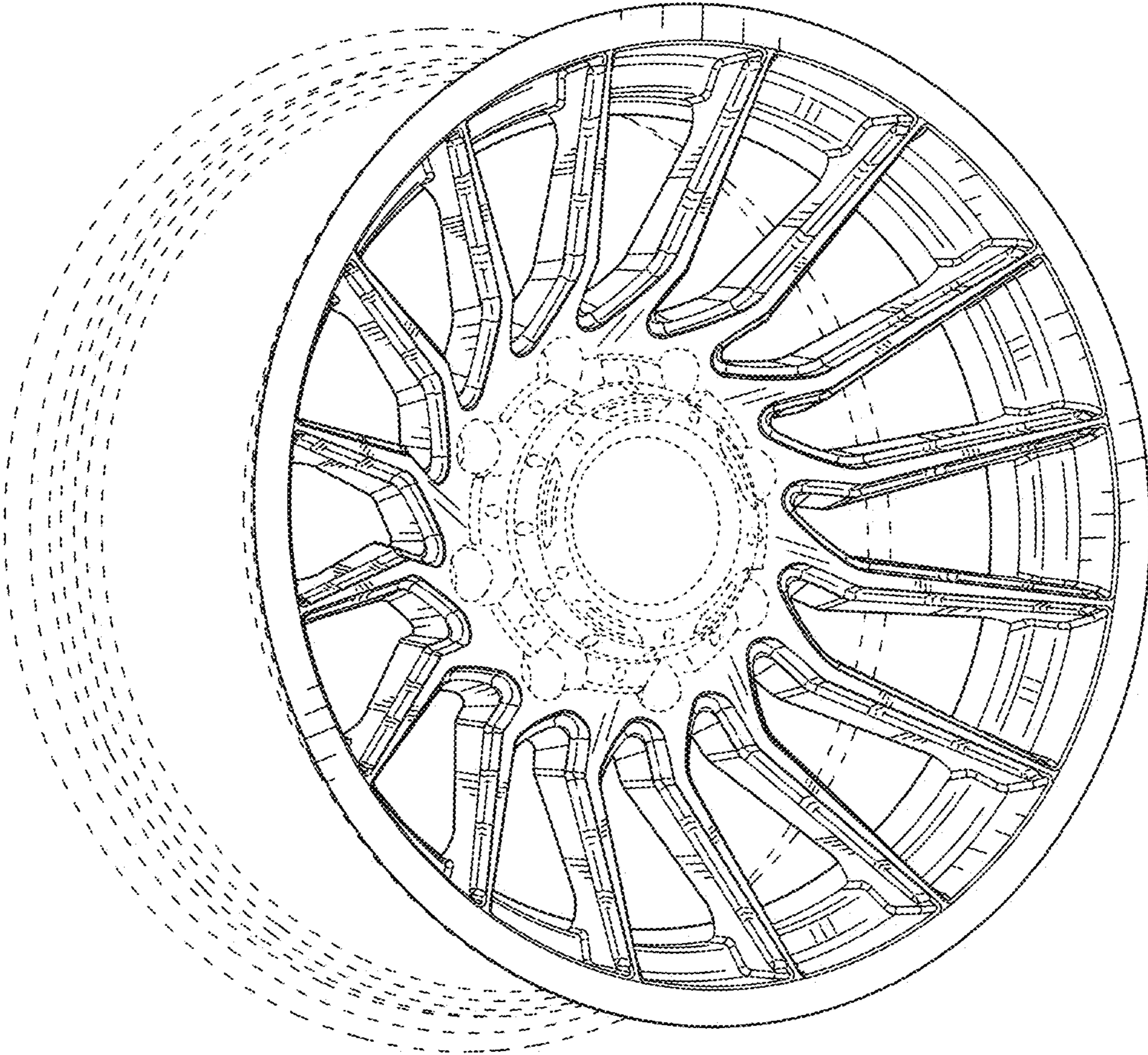


FIG. 1

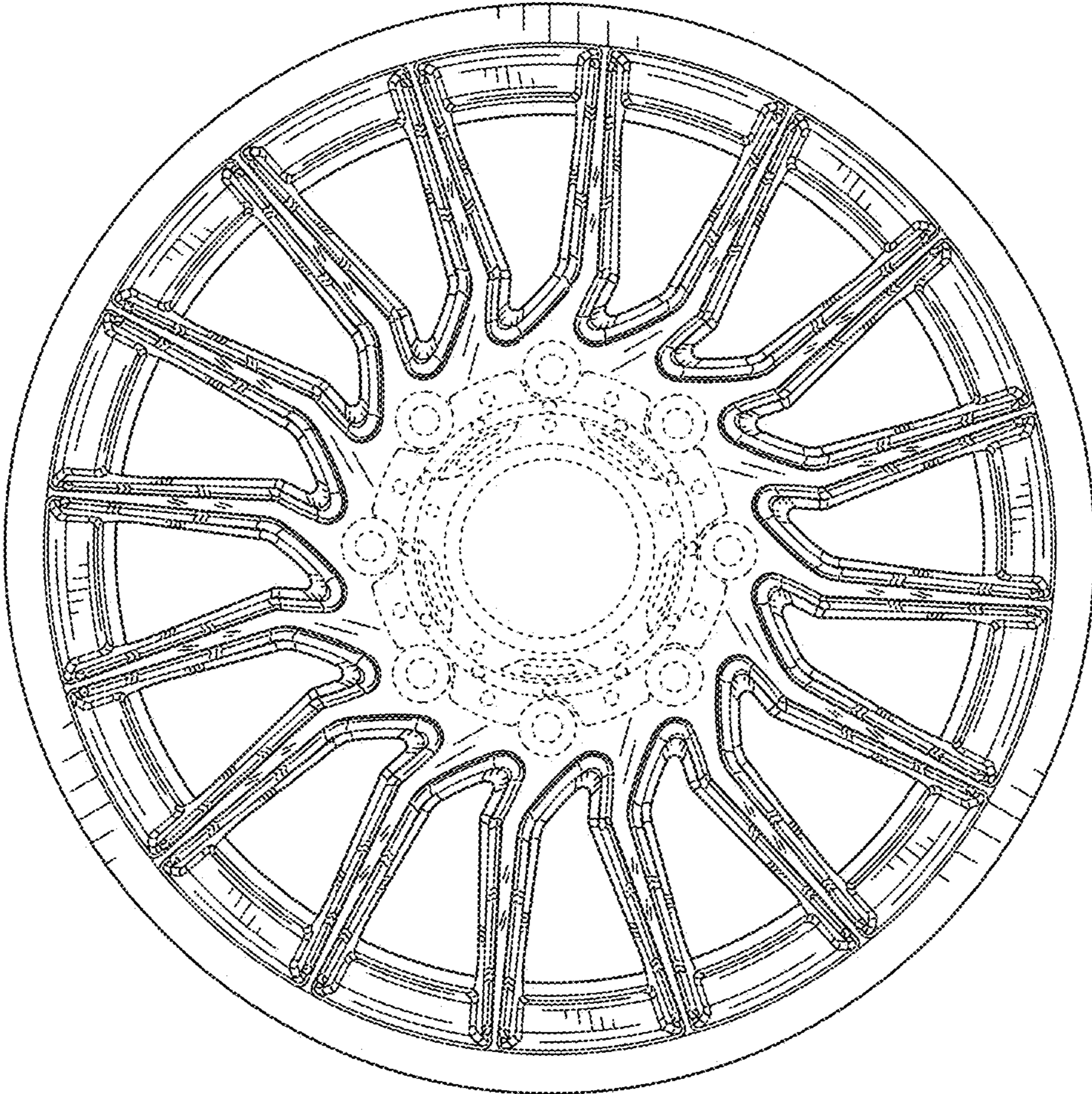


FIG. 2

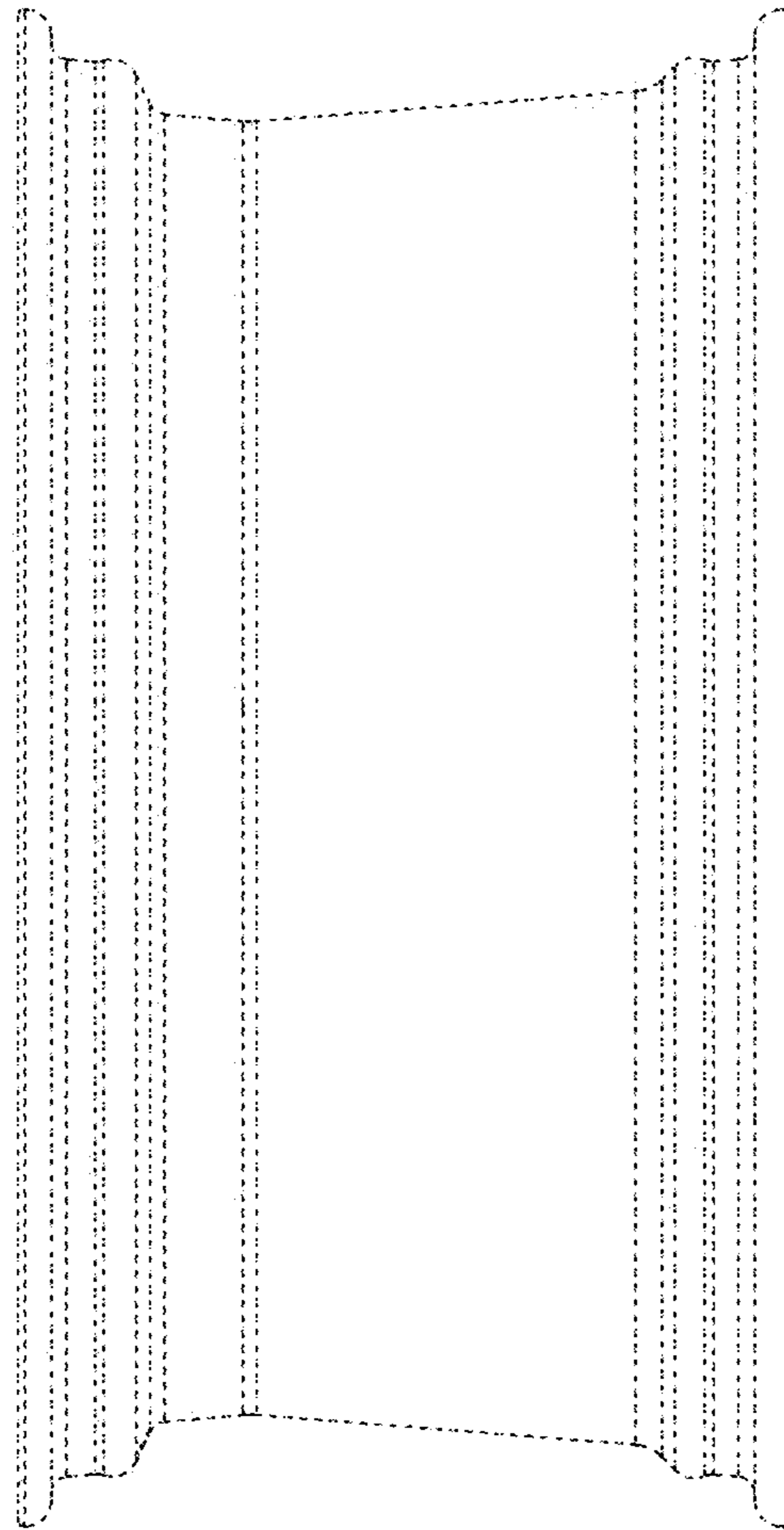


FIG. 3