



US00D938882S

(12) **United States Design Patent**
Podlovits

(10) **Patent No.:** **US D938,882 S**

(45) **Date of Patent:** **** Dec. 21, 2021**

(54) **WHEEL FRONT FACE**

(71) Applicant: **Joseph F. Podlovits**, Brea, CA (US)

(72) Inventor: **Joseph F. Podlovits**, Brea, CA (US)

(73) Assignee: **WHEEL GROUP HOLDINGS, LLC**,
Ontario, CA (US)

(**) Term: **15 Years**

(21) Appl. No.: **29/753,554**

(22) Filed: **Sep. 30, 2020**

(51) **LOC (13) Cl.** **12-16**

(52) **U.S. Cl.**
USPC **D12/209**

(58) **Field of Classification Search**
USPC D12/204–213; D21/563
CPC B60B 7/00; B60B 7/02; B60B 7/04; B60B
7/01; B60B 7/06; B60B 3/02; B60B 3/04;
B60B 3/06; B60B 3/10; B60B 1/00;
B60B 1/08; B60B 1/10; B60B 1/12
See application file for complete search history.

(56) **References Cited**

U.S. PATENT DOCUMENTS

D751,484 S	*	3/2016	Zhao	D12/209
D787,413 S	*	5/2017	Alfonso	D12/211
D798,211 S	*	9/2017	Chung	D12/209
D826,819 S	*	8/2018	Chung	D12/209
D831,557 S	*	10/2018	Hodges	D12/209

D843,297 S	*	3/2019	Hodges	D12/209
D844,531 S	*	4/2019	Luo	D12/211
D853,295 S	*	7/2019	Han	D12/209
D865,624 S	*	11/2019	Han	D12/209
D865,626 S	*	11/2019	Han	D12/209
D871,295 S	*	12/2019	Han	D12/209
D881,101 S	*	4/2020	Liu	D12/209
D886,703 S	*	6/2020	Williams	D12/209
D887,942 S	*	6/2020	Han	D12/209
D892,017 S	*	8/2020	Han	D12/209
D902,116 S	*	11/2020	Han	D12/209
D913,891 S	*	3/2021	Lee	D12/209
D917,367 S	*	4/2021	Krause	D12/209

* cited by examiner

Primary Examiner — Stacia A Cadmus

(74) *Attorney, Agent, or Firm* — Law Offices of S. J. Christine Yang

(57) **CLAIM**

The ornamental design for a wheel front face, as shown and described.

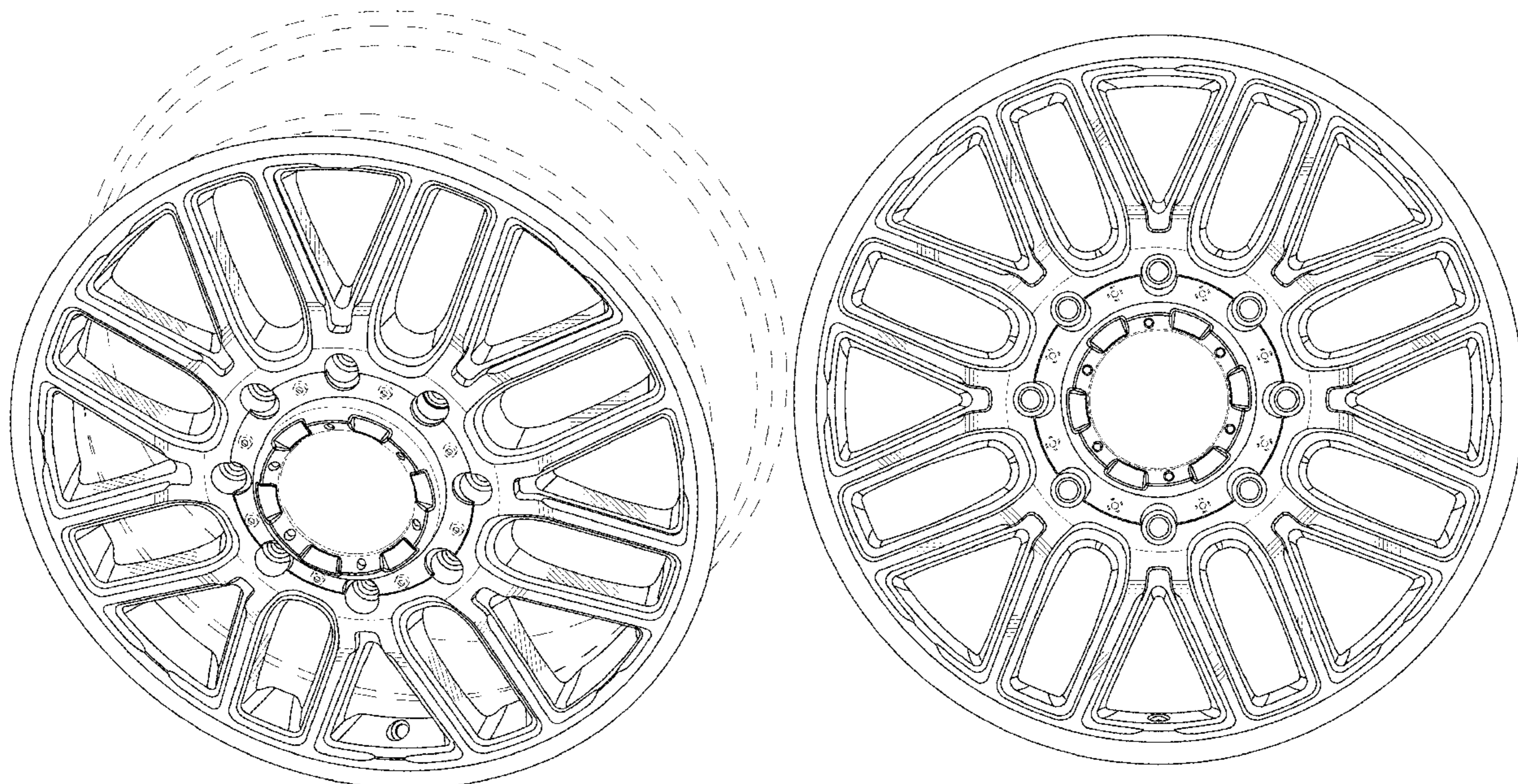
DESCRIPTION

FIG. 1 is a perspective view of a wheel front face showing a new design.

FIG. 2 is a front view of the wheel front face of FIG. 1; and, FIG. 3 is a side view of the wheel front face of FIG. 1.

In the drawings, the broken lines depict portions of the wheel and form no part of the claimed design.

1 Claim, 3 Drawing Sheets



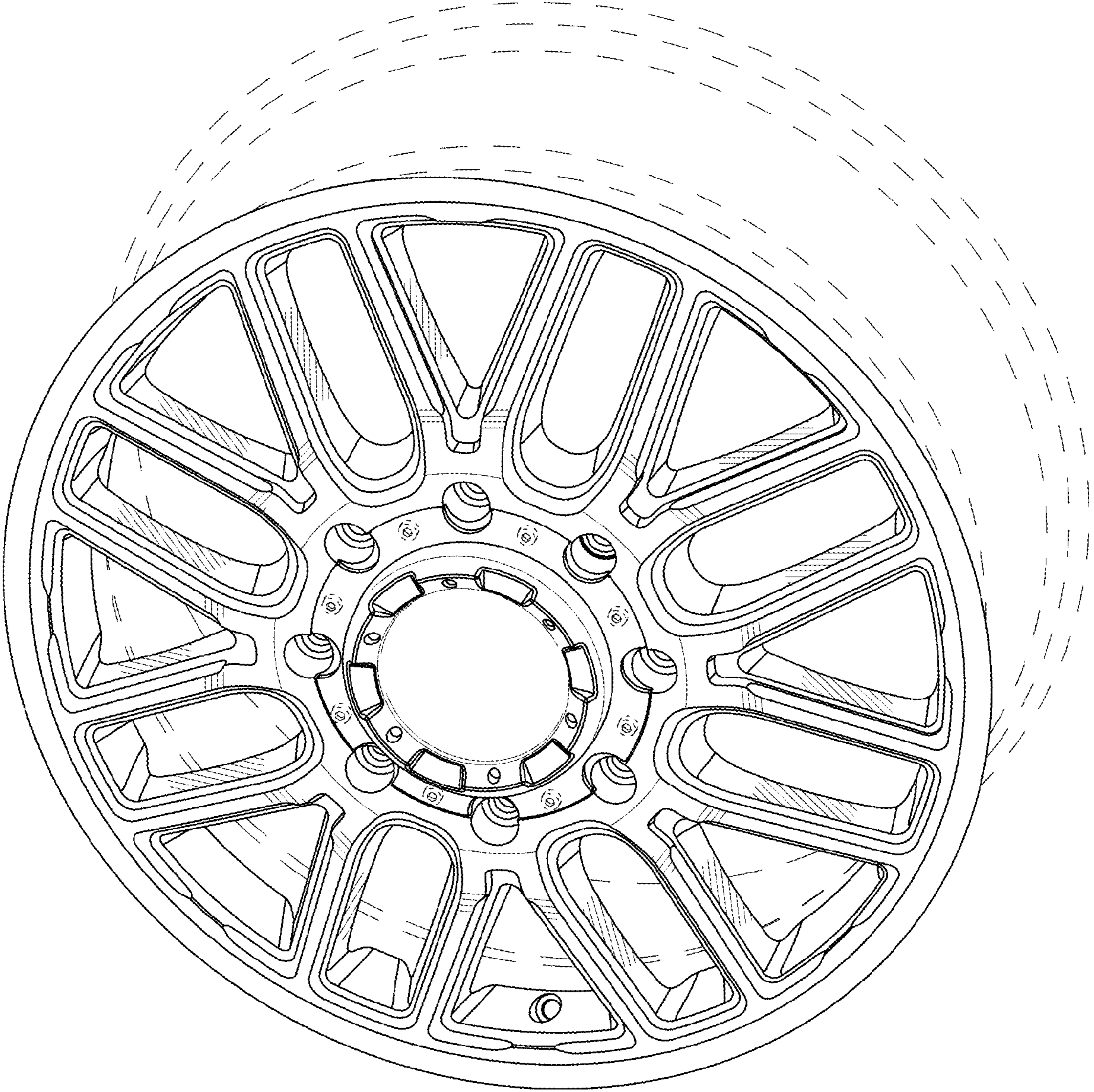


FIG. 1

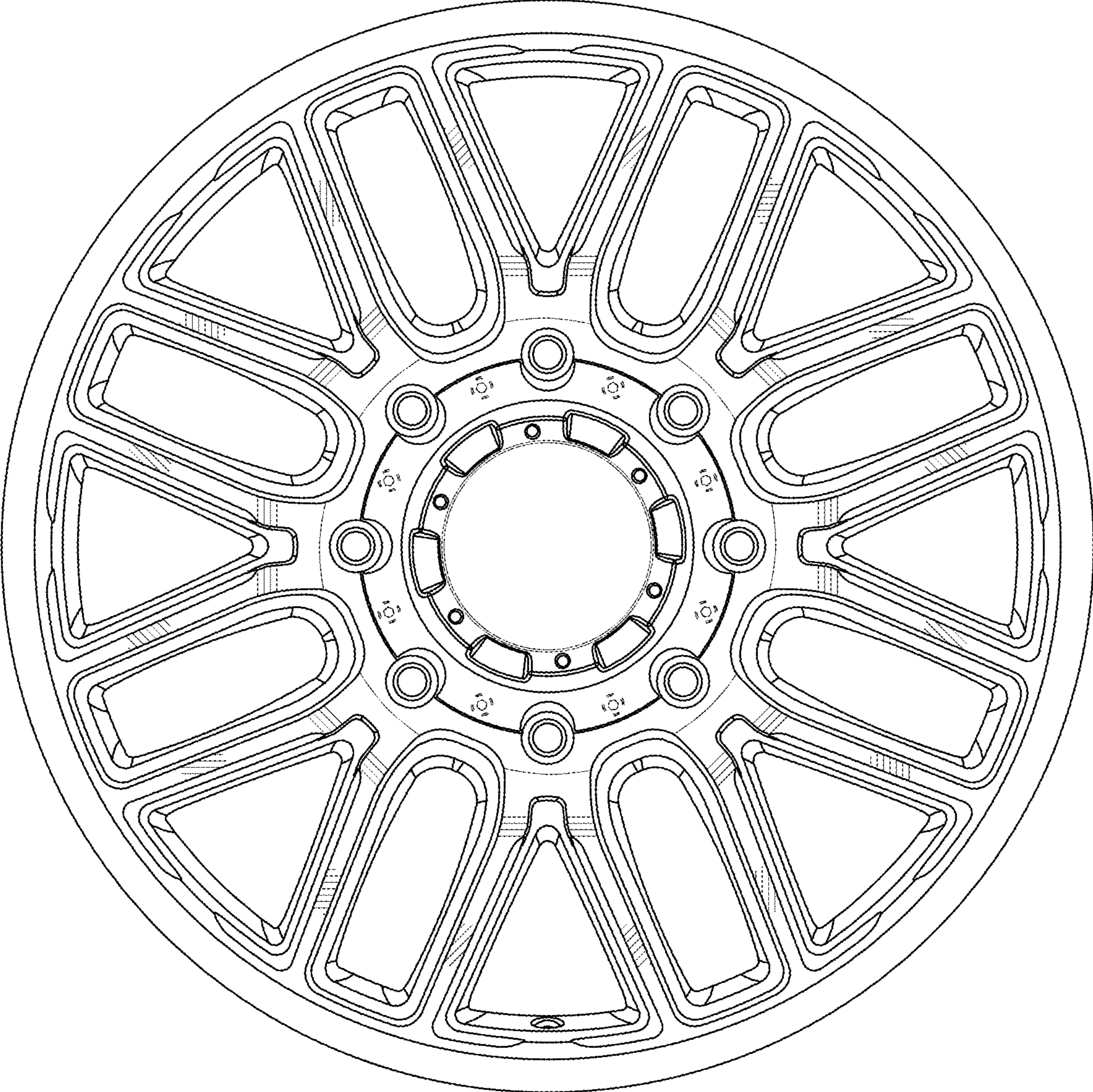


FIG. 2

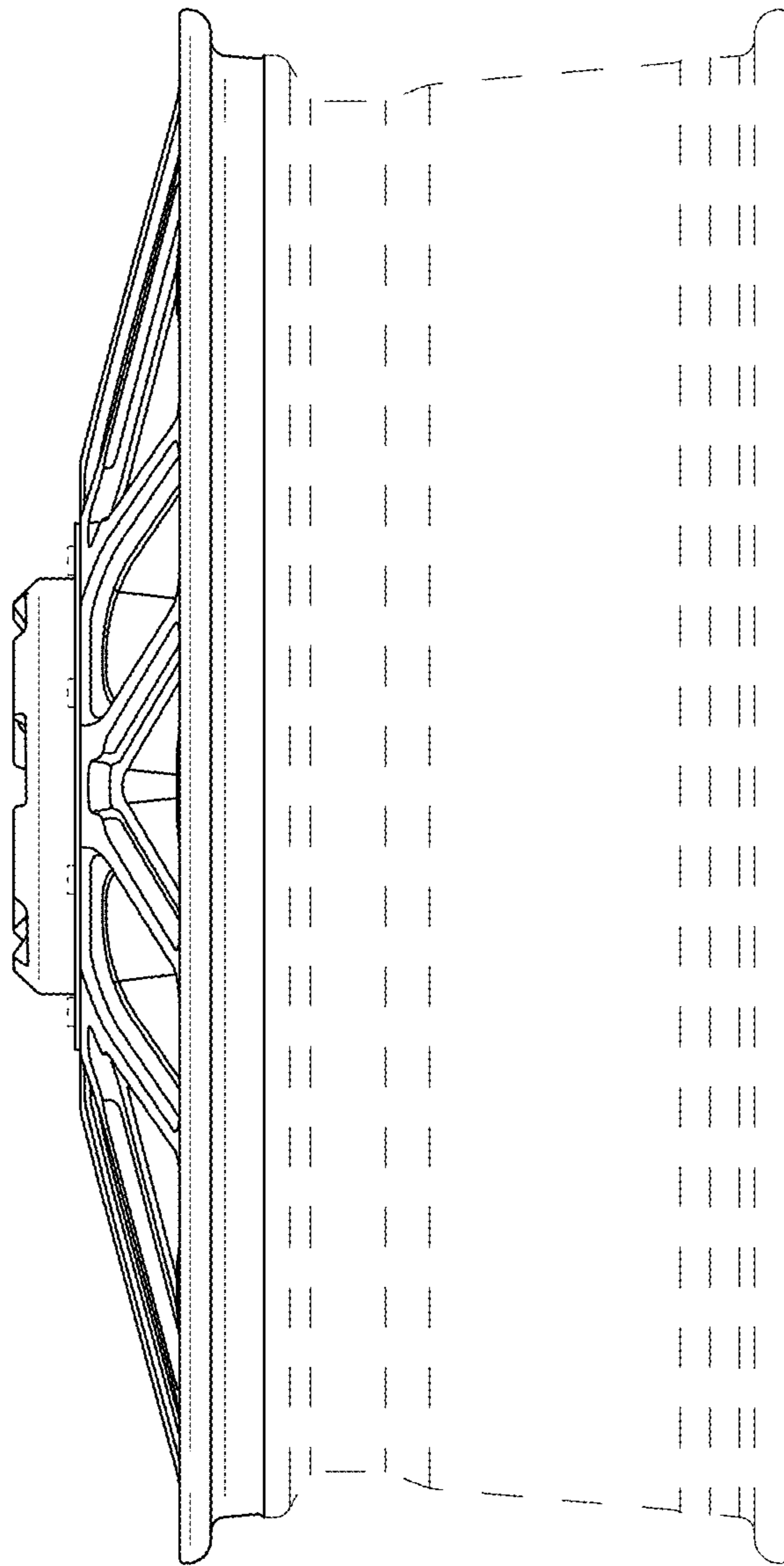


FIG. 3