



US00D938881S

(12) **United States Design Patent**
Sielaff et al.

(10) **Patent No.:** **US D938,881 S**

(45) **Date of Patent:** **** Dec. 21, 2021**

(54) **WHEEL FOR A VEHICLE**

(71) Applicant: **Bentley Motors Limited**, Crewe (GB)

(72) Inventors: **Stefan Sielaff**, Audlem (GB); **John Paul Gregory**, Goostrey (GB)

(73) Assignee: **Bentley Motors Limited**, Crewe (GB)

(**) Term: **15 Years**

(21) Appl. No.: **29/745,863**

(22) Filed: **Aug. 10, 2020**

(30) **Foreign Application Priority Data**

Feb. 11, 2020 (EM) 007691662

(51) **LOC (13) Cl.** **12-16**

(52) **U.S. Cl.**
USPC **D12/209**

(58) **Field of Classification Search**
USPC D12/204–213; D21/563
CPC B60B 7/00; B60B 7/02; B60B 7/04; B60B 7/01; B60B 7/06; B60B 3/02; B60B 3/04; B60B 3/06; B60B 3/10; B60B 1/00; B60B 1/08; B60B 1/10; B60B 1/12
See application file for complete search history.

(56) **References Cited**

U.S. PATENT DOCUMENTS

D685,709 S * 7/2013 Hanaoka D12/209
D695,669 S * 12/2013 Pollmann D12/209
D725,569 S * 3/2015 Komukai D12/209
D752,496 S * 3/2016 Smith D12/209
D753,045 S * 4/2016 Kawaguchi D12/209

D762,543 S * 8/2016 Hara D12/209
D775,044 S * 12/2016 Smith D12/209
D791,040 S * 7/2017 Umehara D12/209
D792,306 S * 7/2017 Ishigaki D12/209
D813,138 S * 3/2018 Chung D12/211
D813,139 S * 3/2018 Chung D12/211
D834,485 S * 11/2018 Manzoni D12/209
D836,053 S * 12/2018 Hagino D12/209
D848,925 S * 5/2019 Myrberg D12/209
D857,590 S * 8/2019 Setter D12/209
D878,994 S * 3/2020 Liu D12/209
D879,000 S * 3/2020 Wang D12/209
D881,102 S * 4/2020 Liu D12/209
D889,361 S * 7/2020 Minchella D12/209
D904,958 S * 12/2020 Setter D12/209
D908,056 S * 1/2021 Pollard D12/209
D910,526 S * 2/2021 Piaskowski D12/209
D912,590 S * 3/2021 Rosello Visa D12/209
D918,115 S * 5/2021 Chung D12/209
D922,296 S * 6/2021 Andoh D12/209

* cited by examiner

Primary Examiner — Stacia A Cadmus

(74) *Attorney, Agent, or Firm* — Tarolli, Sundheim, Covell & Tummino LLP; John A. Yirga, Esq.

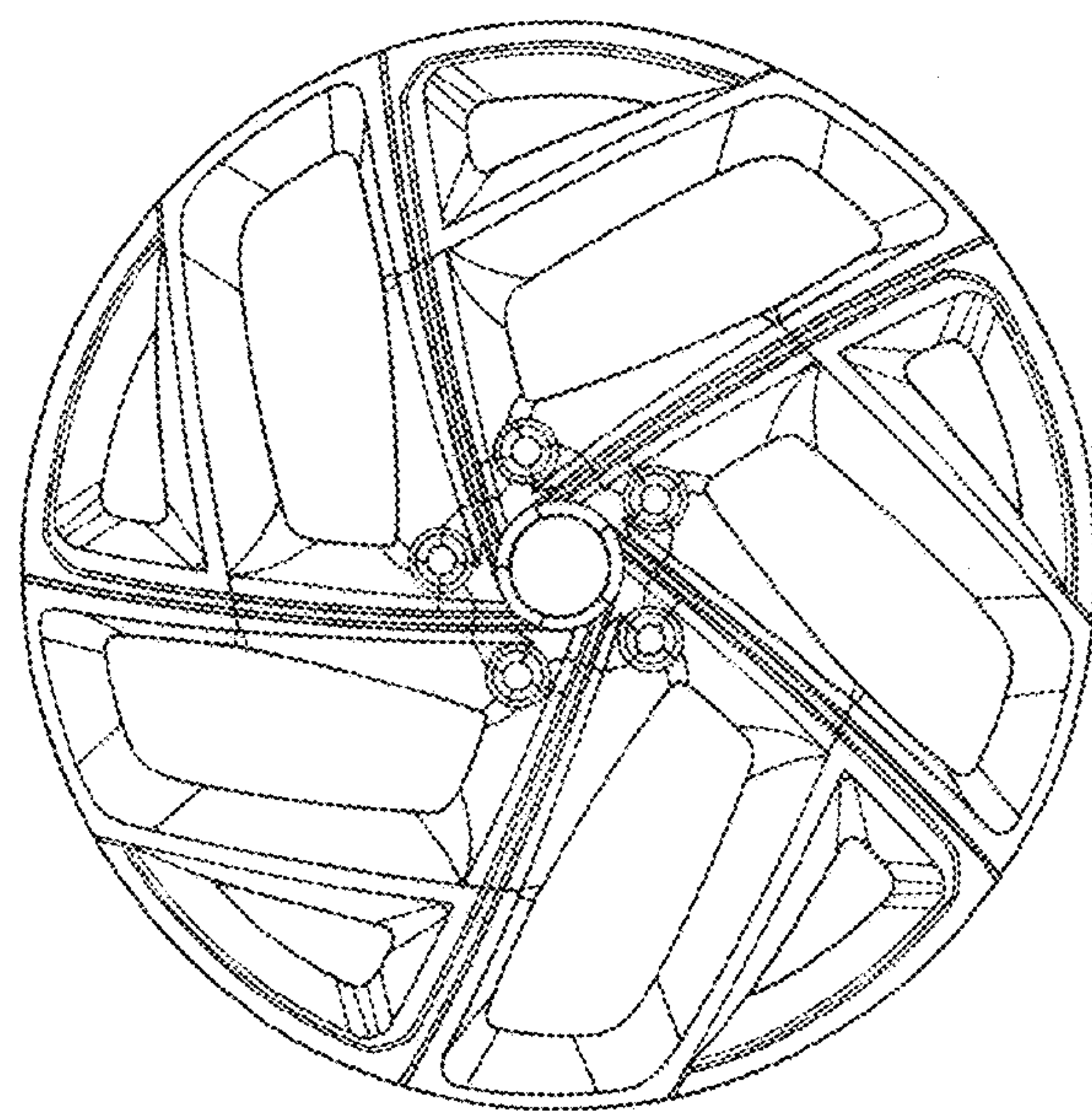
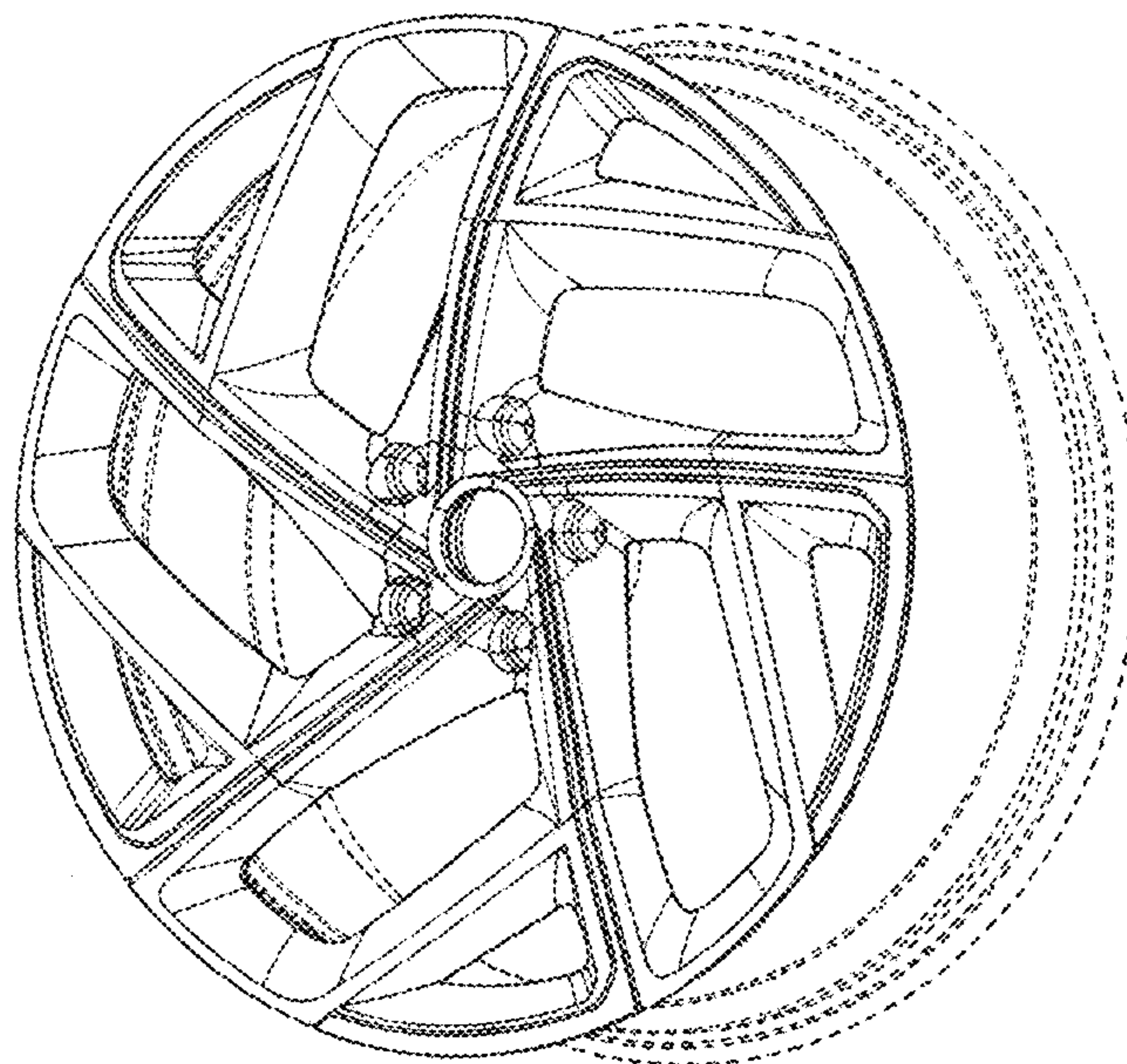
(57) **CLAIM**

The ornamental design for a wheel for a vehicle, as shown and described.

DESCRIPTION

FIG. 1 is a perspective view of a wheel for a vehicle illustrating our ornamental design; FIG. 2 is a front elevation view thereof; and, FIG. 3 is a side elevation view thereof. In the drawings the broken lines depict portions of the vehicle wheel and form no part of the claimed design.

1 Claim, 3 Drawing Sheets



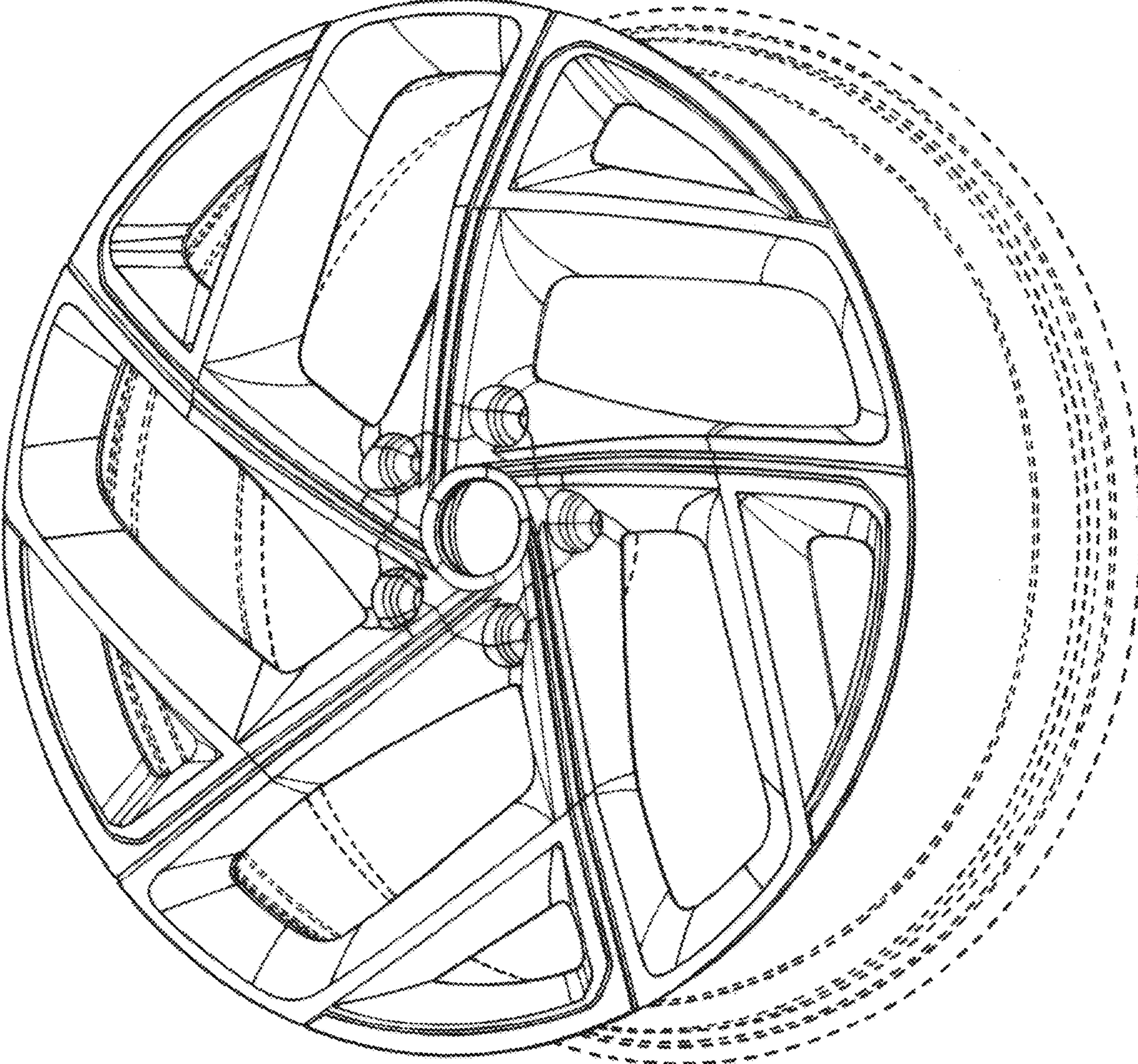


Fig. 1

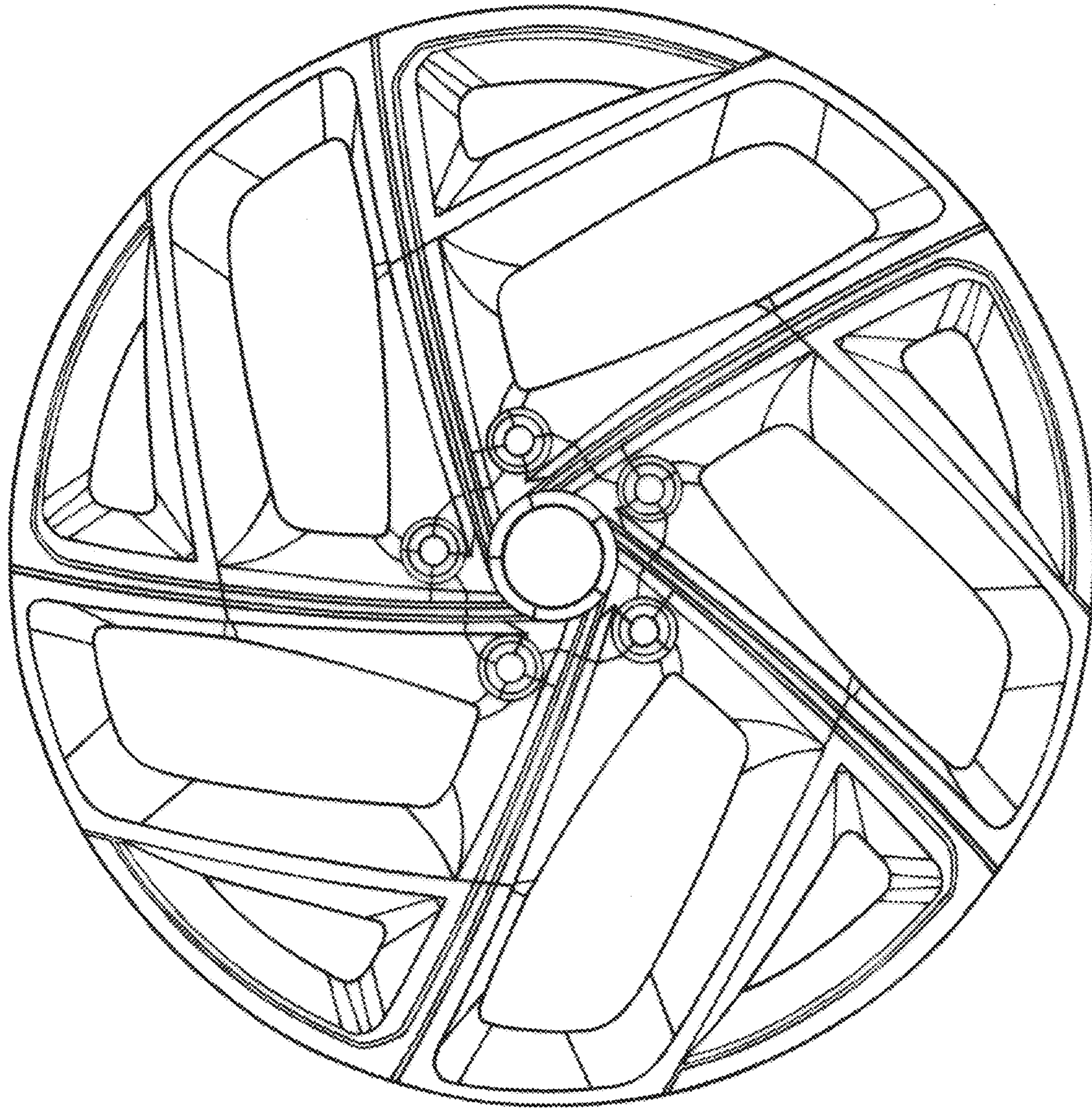


Fig. 2

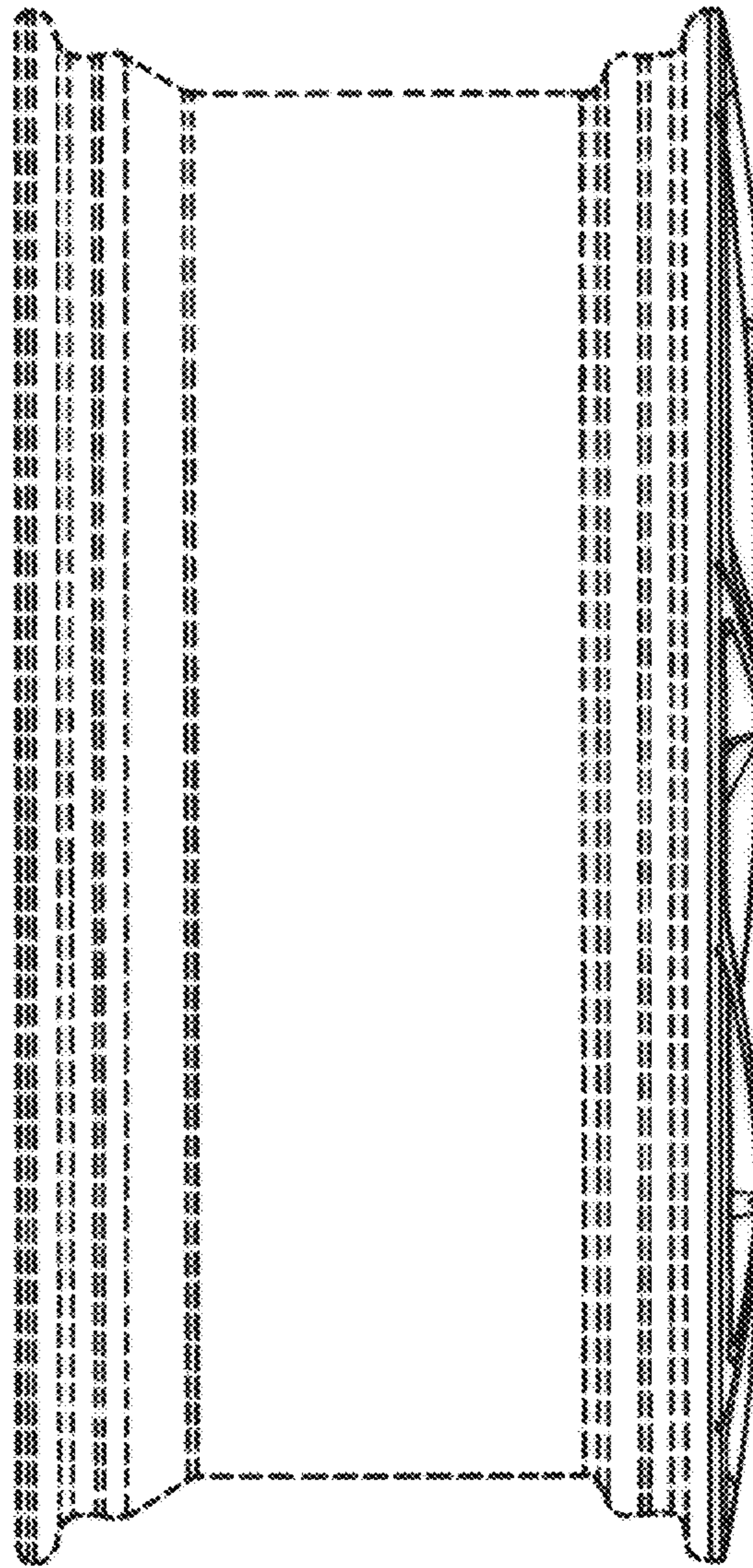


Fig. 3