



US00D938880S

(12) **United States Design Patent**
Skelley

(10) **Patent No.:** **US D938,880 S**

(45) **Date of Patent:** **** Dec. 21, 2021**

- (54) **VEHICLE WHEEL**
- (71) Applicant: **GM GLOBAL TECHNOLOGY OPERATIONS LLC**, Detroit, MI (US)
- (72) Inventor: **Ryan D. Skelley**, Berkley, MI (US)
- (73) Assignee: **GM Global Technology Operations LLC**, Detroit, MI (US)
- (**) Term: **15 Years**
- (21) Appl. No.: **29/704,902**
- (22) Filed: **Sep. 9, 2019**
- (51) **LOC (13) Cl.** **12-16**
- (52) **U.S. Cl.**
USPC **D12/209**
- (58) **Field of Classification Search**
USPC D12/204-213; D21/563
CPC B60B 7/00; B60B 7/02; B60B 7/04; B60B 7/01; B60B 7/06; B60B 3/02; B60B 3/04; B60B 3/06; B60B 3/10; B60B 1/00; B60B 1/08; B60B 1/10; B60B 1/12
See application file for complete search history.

- D608,249 S 1/2010 Peters
- D608,690 S 1/2010 Folden et al.
- D608,691 S 1/2010 Zak, Jr. et al.
- D609,608 S 2/2010 Boniface et al.
- D611,387 S 3/2010 Thompson et al.
- D611,879 S 3/2010 Kim et al.
- D612,297 S 3/2010 Peters et al.
- D613,645 S 4/2010 Song et al.
- D615,458 S 5/2010 Thompson et al.
- D618,595 S 6/2010 Ware et al.
- D623,090 S 9/2010 Cox et al.
- D627,262 S 11/2010 Ikeda et al.
- D635,488 S 4/2011 Phipps
- D644,147 S 8/2011 Suh et al.
- D644,567 S 9/2011 Kozub
- D657,718 S 4/2012 Zipfel et al.
- D659,052 S 5/2012 Ware et al.
- D659,053 S 5/2012 Ware et al.
- D668,182 S 10/2012 Franco et al.
- D668,183 S 10/2012 Smart
- D678,820 S 3/2013 Son et al.
- D678,821 S 3/2013 Ikeda et al.
- D680,909 S 4/2013 Munson et al.
- D680,910 S 4/2013 David
- D684,899 S 6/2013 Baker
- D686,536 S 7/2013 McCabe et al.
- D692,798 S 11/2013 Thurber
- D692,799 S 11/2013 Smith et al.
- D696,157 S 12/2013 Loeb
- D699,629 S 2/2014 Ikeda et al.

(Continued)

(56) **References Cited**

U.S. PATENT DOCUMENTS

- D570,742 S 6/2008 Takagi et al.
- D589,428 S * 3/2009 Scheu D12/211
- D592,105 S 5/2009 Dean et al.
- D597,447 S 8/2009 Folden
- D600,595 S 9/2009 Nakamura et al.
- D601,925 S 10/2009 O'Donnell
- D603,755 S 11/2009 Peters
- D604,203 S 11/2009 O'Donnell
- D605,082 S 12/2009 Munson
- D605,083 S 12/2009 Manoogian, II et al.
- D605,977 S 12/2009 Zipfel et al.
- D605,978 S 12/2009 Wolff et al.

Primary Examiner — Stacia A Cadmus

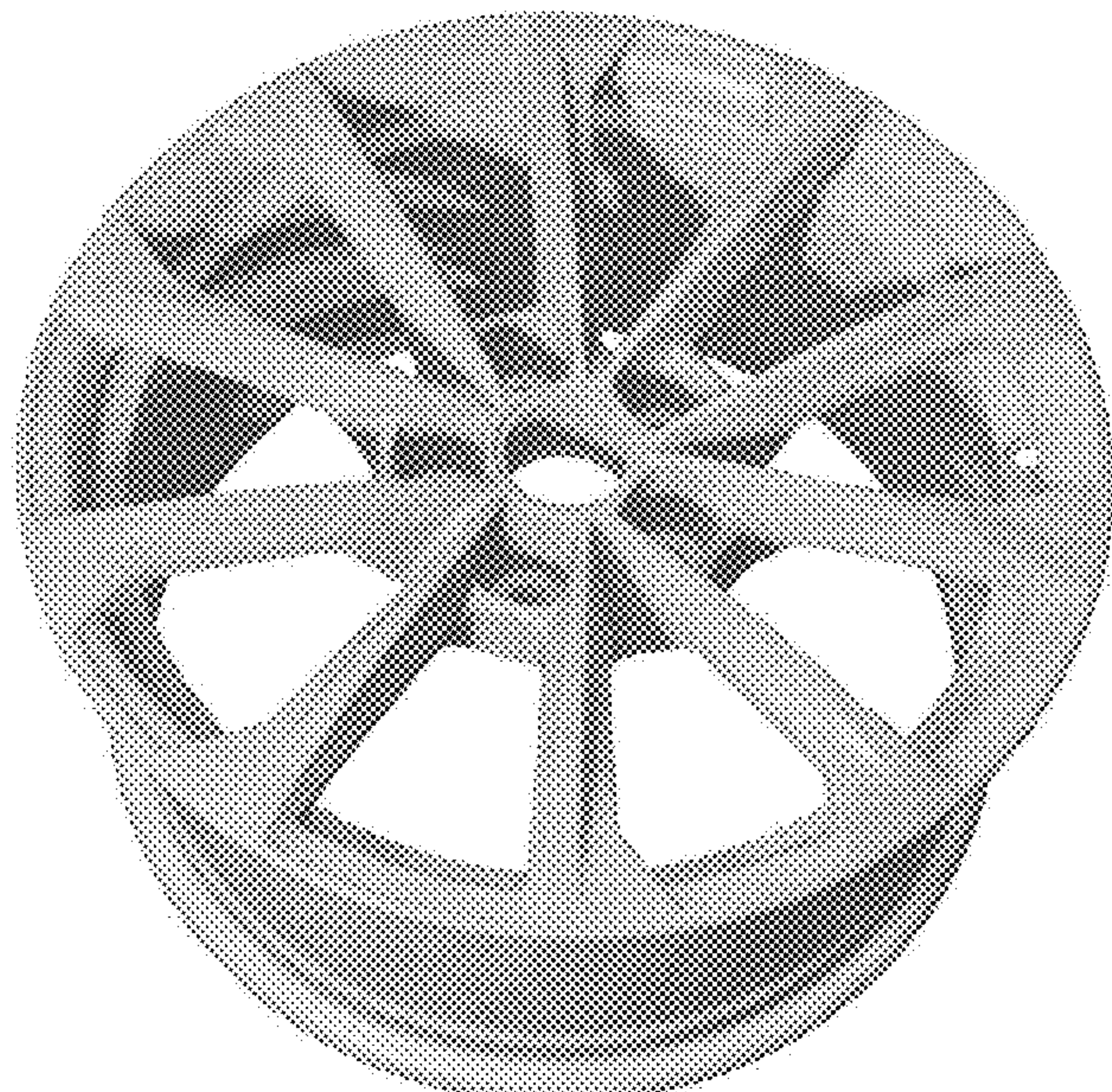
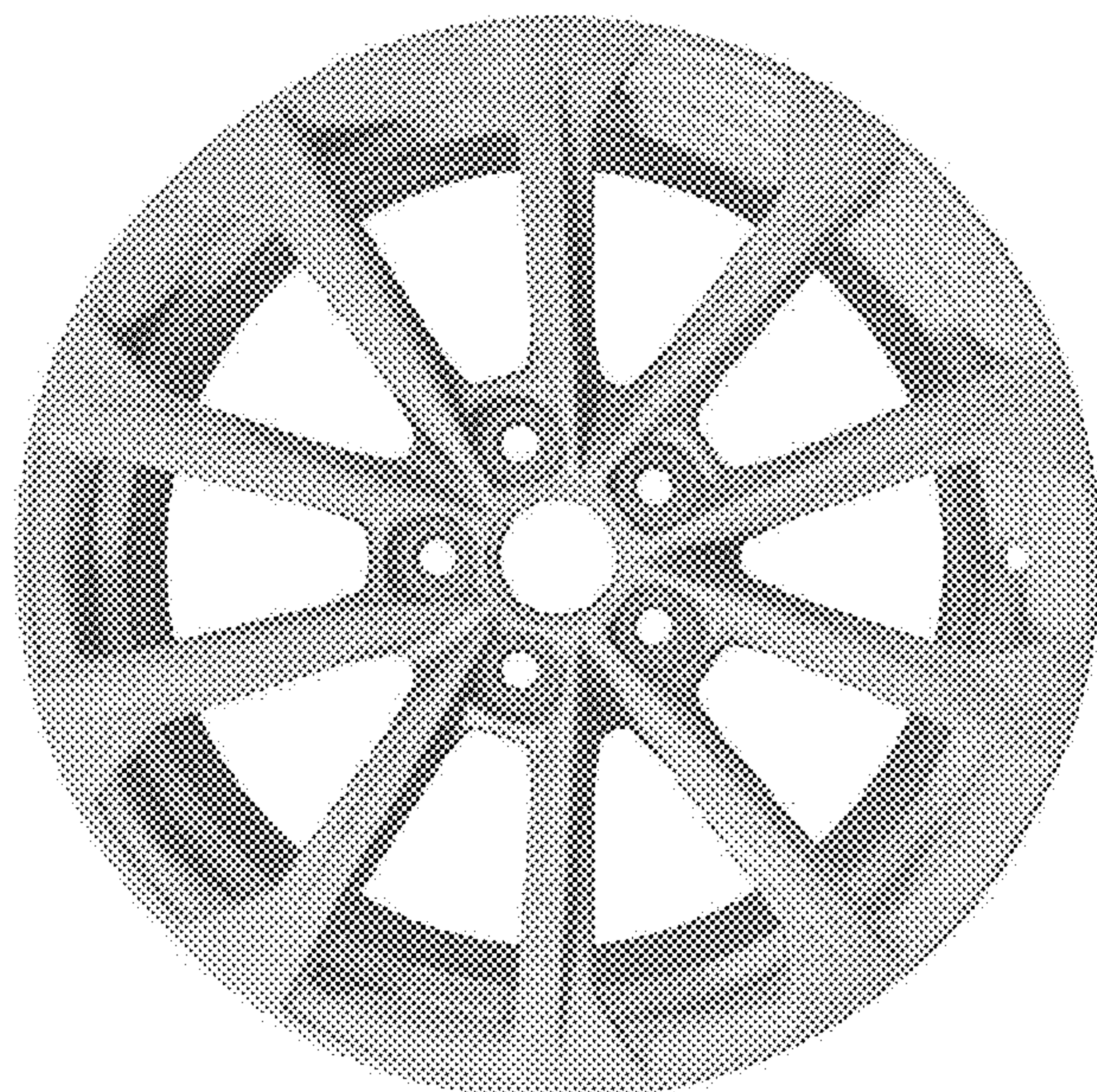
(57) **CLAIM**

The ornamental design for a vehicle wheel, as shown and described.

DESCRIPTION

FIG. 1 is a front elevational view of the vehicle wheel showing my new design; and, FIG. 2 is a front and left side perspective view thereof.

1 Claim, 2 Drawing Sheets



(56)

References Cited

U.S. PATENT DOCUMENTS

D700,871 S	3/2014	O'Donnell et al.	D755,088 S	5/2016	McMahan et al.
D703,103 S	4/2014	Lee	D756,869 S	5/2016	McMahan et al.
D704,103 S	5/2014	Mack et al.	D758,271 S	6/2016	McMahan et al.
D705,132 S	5/2014	Ware et al.	D764,975 S	8/2016	Aengenheyster
D705,699 S	5/2014	Ware et al.	D764,976 S	8/2016	Aengenheyster
D713,298 S	9/2014	Dyson	D767,449 S	9/2016	Pevovar et al.
D713,764 S	9/2014	Ferlazzo et al.	D767,450 S	9/2016	Lee et al.
D716,696 S	11/2014	Thole et al.	D767,451 S	9/2016	Kozub et al.
D716,706 S	11/2014	Thole et al.	D767,454 S	9/2016	McMahan et al.
D716,709 S	11/2014	Thole et al.	D767,458 S	9/2016	Kim
D717,696 S	11/2014	Thole et al.	D767,459 S	9/2016	Kim
D718,189 S	11/2014	Krieg et al.	D767,460 S	9/2016	Kozub et al.
D718,683 S	12/2014	Thole et al.	D767,461 S	9/2016	Kozub et al.
D721,028 S *	1/2015	Lemke D12/211	D771,528 S	11/2016	Smith et al.
D722,282 S	2/2015	Loeb	D771,529 S	11/2016	Thole et al.
D722,533 S	2/2015	Thole et al.	D771,532 S	11/2016	Kapitonov
D722,534 S	2/2015	Munson et al.	D771,533 S	11/2016	Kapitonov
D724,510 S	3/2015	McMahan et al.	D772,766 S	11/2016	Kozub et al.
D725,001 S	3/2015	McMahan et al.	D772,767 S	11/2016	Kim
D726,591 S	4/2015	Jacob	D773,084 S	11/2016	Kapitonov
D730,776 S	6/2015	Smart	D773,086 S	11/2016	McCabe et al.
D730,783 S	6/2015	Henriques et al.	D774,226 S	12/2016	McCabe et al.
D732,427 S	6/2015	Loeb	D775,003 S	12/2016	Pevovar et al.
D732,429 S	6/2015	Loeb	D775,007 S	12/2016	Thole et al.
D732,430 S	6/2015	Loeb	D775,010 S	12/2016	Kim et al.
D732,431 S	6/2015	Loeb	D775,049 S	12/2016	Scheer et al.
D732,432 S	6/2015	Aengenheyster	D775,549 S	1/2017	Karras
D732,433 S	6/2015	Aengenheyster	D775,554 S	1/2017	Kapitonov
D732,435 S	6/2015	Mackay	D776,020 S	1/2017	Kapitonov
D733,002 S	6/2015	Loeb	D776,581 S	1/2017	Pevovar et al.
D735,611 S	8/2015	Aengenheyster	D776,583 S	1/2017	Scheer et al.
D735,627 S	8/2015	Smith	D776,841 S	1/2017	Kozub et al.
D736,451 S	8/2015	Smith	D776,843 S	1/2017	McCabe et al.
D739,306 S	9/2015	McMahan et al.	D776,846 S	1/2017	Willett et al.
D739,317 S	9/2015	McMahan et al.	D777,359 S	1/2017	Kozub et al.
D741,223 S	10/2015	Kim et al.	D777,360 S	1/2017	Kozub et al.
D743,309 S	11/2015	Thole et al.	D777,361 S	1/2017	Kozub et al.
D743,313 S	11/2015	Smith et al.	D777,604 S	1/2017	McNerney
D743,314 S	11/2015	Thole et al.	D777,605 S	1/2017	Ferlazzo et al.
D743,857 S	11/2015	McMahan et al.	D777,620 S	1/2017	Pevovar et al.
D744,158 S	11/2015	Willett et al.	D777,621 S	1/2017	Kim
D745,086 S	12/2015	Finos et al.	D777,622 S	1/2017	Kozub et al.
D745,719 S	12/2015	Boniface et al.	D777,628 S	1/2017	Kozub et al.
D745,725 S	12/2015	McMahan et al.	D777,955 S	1/2017	Willett et al.
D745,726 S	12/2015	McMahan et al.	D778,212 S	2/2017	Kozub et al.
D745,837 S	12/2015	Smith et al.	D778,215 S	2/2017	Kozub et al.
D746,726 S	1/2016	Smith et al.	D778,801 S *	2/2017	Bucher D12/211
D746,727 S	1/2016	Smith et al.	D780,064 S	2/2017	Smith et al.
D746,728 S	1/2016	Smith et al.	D780,067 S	2/2017	Zipfel et al.
D746,729 S	1/2016	Boniface et al.	D780,068 S	2/2017	Whitla et al.
D746,730 S	1/2016	Kim et al.	D780,077 S	2/2017	Kim et al.
D747,514 S	1/2016	McMahan et al.	D780,081 S	2/2017	Lee
D747,515 S	1/2016	McMahan et al.	D780,084 S	2/2017	Scheer et al.
D747,819 S	1/2016	Thole et al.	D780,631 S	3/2017	Kozub et al.
D748,034 S *	1/2016	Hall D12/211	D780,644 S	3/2017	Kim et al.
D748,558 S *	2/2016	Hans D12/211	D781,184 S	3/2017	Thole et al.
D749,021 S	2/2016	Boniface et al.	D781,192 S	3/2017	Kozub et al.
D749,026 S	2/2016	Smith et al.	D782,379 S	3/2017	Wassell
D749,027 S	2/2016	McMahan et al.	D783,482 S	4/2017	Smith et al.
D749,029 S *	2/2016	Wheel D12/211	D784,213 S	4/2017	Karras
D749,246 S	2/2016	Thole et al.	D784,223 S	4/2017	Lee
D749,249 S	2/2016	Thole et al.	D784,226 S	4/2017	Cheng
D749,250 S	2/2016	Thole et al.	D784,579 S	4/2017	Cheng et al.
D749,985 S	2/2016	Kozub et al.	D784,877 S	4/2017	Lee
D749,997 S	2/2016	McMahan et al.	D784,886 S	4/2017	Smith et al.
D750,001 S	2/2016	Thole et al.	D784,894 S *	4/2017	Gardavsky D12/211
D753,032 S	4/2016	Smith et al.	D785,521 S	5/2017	Smith et al.
D753,033 S	4/2016	Thole et al.	D785,535 S *	5/2017	Valencia Pollex D12/209
D753,034 S	4/2016	Thole et al.	D786,149 S	5/2017	Pevovar et al.
D753,035 S	4/2016	Boniface et al.	D786,743 S	5/2017	Smith et al.
D753,559 S	4/2016	McMahan et al.	D786,750 S	5/2017	Lee
D753,560 S	4/2016	McMahan et al.	D787,446 S	5/2017	Cockerill
D753,567 S	4/2016	Boniface et al.	D787,984 S	5/2017	Fang
D754,571 S	4/2016	Boniface et al.	D787,988 S	5/2017	Lee
D754,572 S	4/2016	McMahan et al.	D787,989 S	5/2017	Kozub et al.
			D787,990 S	5/2017	Kozub et al.
			D787,992 S	5/2017	Lee
			D787,993 S	5/2017	McCabe et al.
			D788,001 S	5/2017	Lee

(56)

References Cited

U.S. PATENT DOCUMENTS

D788,641 S	6/2017	Arnold	D804,372 S	12/2017	Kozub
D788,644 S	6/2017	Mueller	D804,378 S	12/2017	Perkins
D788,645 S	6/2017	Mueller	D804,379 S	12/2017	McMahan
D789,250 S	6/2017	Arnold	D805,006 S	12/2017	Nakamura
D789,260 S	6/2017	Smith	D805,013 S	12/2017	Whitla
D789,575 S	6/2017	Willett	D805,014 S	12/2017	Zipfel
D789,841 S	6/2017	Lee	D805,441 S	12/2017	Karras
D789,849 S	6/2017	Lee	D805,964 S	12/2017	Whitla
D791,018 S	7/2017	Mylenek	D805,965 S	12/2017	Davis
D791,644 S	7/2017	Fang	D805,966 S	12/2017	Perkins
D792,290 S	7/2017	Smith et al.	D805,985 S	12/2017	Nakamura
D792,293 S	7/2017	McCabe et al.	D807,232 S	1/2018	Bailie
D792,294 S	7/2017	McCabe et al.	D807,239 S	1/2018	Perkins
D792,295 S	7/2017	McCabe et al.	D807,240 S	1/2018	Perkins
D792,815 S	7/2017	Kozub	D807,241 S	1/2018	Perkins
D792,816 S	7/2017	Kozub	D809,442 S	2/2018	Zipfel et al.
D793,290 S	8/2017	Kozub	D811,269 S	2/2018	Thompson et al.
D793,292 S	8/2017	Lee	D811,942 S	3/2018	Jacob
D793,293 S	8/2017	Lee et al.	D811,957 S	3/2018	Whitla et al.
D793,294 S	8/2017	Lee	D811,958 S	3/2018	Zipfel et al.
D793,295 S	8/2017	McCabe et al.	D811,959 S	3/2018	Perkins
D793,296 S	8/2017	Smith et al.	D811,960 S	3/2018	Nakamura
D793,297 S	8/2017	Smith et al.	D811,961 S	3/2018	Sullivan
D793,299 S	8/2017	Kreig et al.	D811,962 S	3/2018	Sullivan
D793,300 S	8/2017	Kreig et al.	D811,963 S	3/2018	Sullivan
D793,301 S	8/2017	Kozub	D811,964 S	3/2018	Perkins
D793,302 S	8/2017	Kozub	D811,965 S	3/2018	Moffett et al.
D793,311 S	8/2017	Whitla et al.	D811,979 S *	3/2018	Svensson D12/211
D793,590 S	8/2017	Kozub et al.	D812,525 S	3/2018	Lee
D793,591 S	8/2017	Kozub et al.	D812,526 S	3/2018	Zipfel et al.
D793,917 S	8/2017	Kozub	D812,527 S	3/2018	Perkins
D793,918 S	8/2017	Kozub	D812,528 S	3/2018	Nakamura
D793,939 S *	8/2017	Hans D12/211	D813,098 S	3/2018	Thompson et al.
D794,229 S	8/2017	Barry	D813,109 S	3/2018	Zipfel et al.
D794,230 S	8/2017	Kozub	D813,110 S	3/2018	Whitla et al.
D795,747 S	8/2017	Bailie	D813,111 S	3/2018	Sullivan
D795,757 S	8/2017	Pevovar et al.	D813,116 S	3/2018	Park
D795,758 S	8/2017	Karras	D813,117 S	3/2018	Sullivan
D795,759 S	8/2017	Kozub et al.	D813,121 S	3/2018	Swanseger
D795,760 S	8/2017	Kozub et al.	D813,730 S	3/2018	Zipfel et al.
D795,762 S	8/2017	Lee	D813,731 S	3/2018	McMahan
D795,763 S	8/2017	Kozub	D813,732 S	3/2018	Whitla et al.
D796,088 S	8/2017	McCabe et al.	D813,733 S	3/2018	Lee
D796,093 S	8/2017	Mainville	D813,734 S	3/2018	Nakamura
D796,390 S	9/2017	Pevovar et al.	D813,740 S	3/2018	Park
D797,537 S	9/2017	Cooper et al.	D813,741 S	3/2018	Perkins
D797,603 S	9/2017	Noone et al.	D813,742 S	3/2018	McMahan et al.
D797,614 S	9/2017	Lee	D813,743 S	3/2018	Lee
D797,616 S	9/2017	Lee	D813,744 S	3/2018	Whitla et al.
D797,624 S	9/2017	Nakamura	D813,748 S	3/2018	Kim
D797,625 S	9/2017	Perkins	D813,753 S	3/2018	Loeb
D797,631 S	9/2017	Pevovar et al.	D813,754 S	3/2018	Loeb
D797,632 S	9/2017	Zipfel et al.	D813,755 S	3/2018	Loeb
D797,967 S	9/2017	Barry	D813,756 S	3/2018	Loeb
D797,970 S	9/2017	Mainville	D813,757 S	3/2018	Kozub
D797,971 S	9/2017	Mainville	D813,758 S	3/2018	Gonzales
D797,972 S	9/2017	Whitla et al.	D813,759 S	3/2018	Perkins
D798,204 S	9/2017	Mainville	D814,369 S	4/2018	Loeb
D799,384 S	10/2017	Kozub et al.	D814,982 S	4/2018	Whitla et al.
D799,385 S	10/2017	Kozub et al.	D814,983 S	4/2018	Whitla et al.
D799,386 S	10/2017	Kozub et al.	D815,570 S	4/2018	McMahan et al.
D799,728 S	10/2017	Whitla et al.	D815,572 S	4/2018	Perkins
D801,236 S	10/2017	Kozub et al.	D815,573 S	4/2018	Whitla et al.
D801,577 S	10/2017	Ruiz	D815,574 S	4/2018	Mainville
D801,882 S	11/2017	Kozub et al.	D815,985 S	4/2018	Mueller
D801,905 S *	11/2017	Rueckheim D12/211	D815,993 S	4/2018	Kozub et al.
D802,205 S	11/2017	Ruiz	D815,994 S	4/2018	Nakamura
D802,478 S	11/2017	Perkins	D816,003 S	4/2018	Perkins
D802,491 S	11/2017	Mainville	D816,558 S	5/2018	McMahan et al.
D802,496 S	11/2017	Mainville	D816,559 S	5/2018	McMahan et al.
D802,502 S	11/2017	McMahan	D816,561 S	5/2018	McMahan
D803,727 S	11/2017	Noone et al.	D816,562 S	5/2018	Whitla et al.
D803,731 S	11/2017	Zipfel	D816,563 S	5/2018	McMahan et al.
D804,370 S	12/2017	Kozub et al.	D816,564 S	5/2018	Kim
D804,371 S	12/2017	Whitla et al.	D816,565 S	5/2018	Kim
			D816,566 S	5/2018	Loeb
			D817,836 S	5/2018	McMahan et al.
			D818,156 S	5/2018	Kim et al.
			D818,157 S	5/2018	Zipfel et al.

(56)

References Cited

U.S. PATENT DOCUMENTS

D818,158 S	5/2018	Zipfel et al.	D840,565 S	2/2019	Whitla et al.
D818,159 S	5/2018	Zipfel et al.	D840,570 S	2/2019	Kim et al.
D818,160 S	5/2018	Perkins	D840,571 S	2/2019	Zipfel et al.
D818,406 S	5/2018	McMahan et al.	D840,572 S	2/2019	Perkins
D818,876 S	5/2018	Whitla et al.	D840,885 S	2/2019	Park Cheng
D818,877 S	5/2018	Nakamura et al.	D841,527 S	2/2019	Kozub et al.
D818,878 S	5/2018	McMahan et al.	D841,532 S	2/2019	Koo et al.
D818,892 S	5/2018	Lee	D841,540 S	2/2019	Koo et al.
D818,893 S	5/2018	Kim	D841,541 S	2/2019	Krieg
D818,903 S	5/2018	Zipfel et al.	D841,542 S	2/2019	Koo et al.
D818,906 S	5/2018	McMahan	D841,547 S	2/2019	Zipfel et al.
D818,907 S	5/2018	Whitla et al.	D841,843 S	2/2019	Park
D818,915 S	5/2018	Kozub et al.	D841,844 S	2/2019	Perkins
D818,922 S	5/2018	Whitla et al.	D841,845 S	2/2019	Park
D819,505 S	6/2018	McMahan et al.	D842,178 S	3/2019	Pinazzo et al.
D819,519 S	6/2018	Whitla et al.	D842,306 S	3/2019	Lindo et al.
D821,617 S	6/2018	Perkins	D843,023 S	3/2019	Whitla et al.
D822,550 S	7/2018	Wassell et al.	D843,024 S	3/2019	Hochmuth
D822,551 S	7/2018	McMahan et al.	D843,025 S	3/2019	Smith et al.
D823,188 S	7/2018	Loeb	D843,275 S	3/2019	Koo et al.
D823,222 S *	7/2018	Chung D12/211	D843,280 S	3/2019	Thurber et al.
D823,738 S	7/2018	Kim	D843,614 S	3/2019	Whitla et al.
D823,741 S	7/2018	Kim	D843,616 S	3/2019	Smith et al.
D823,762 S	7/2018	Loeb	D843,617 S	3/2019	Smith et al.
D823,763 S	7/2018	Koo et al.	D843,891 S	3/2019	Thompson et al.
D824,811 S	8/2018	Mainville	D843,904 S	3/2019	Kim
D824,812 S	8/2018	Loeb	D844,184 S	3/2019	Whitla et al.
D824,824 S	8/2018	Kim	D844,185 S	3/2019	Hochmuth
D824,825 S	8/2018	Loeb	D844,186 S	3/2019	Smith et al.
D825,083 S	8/2018	Perkins	D844,529 S *	4/2019	Lemke D12/209
D825,388 S	8/2018	Karras et al.	D845,184 S	4/2019	Zipfel
D825,403 S	8/2018	Whitla et al.	D845,186 S	4/2019	Koo et al.
D826,114 S	8/2018	Smith et al.	D845,187 S	4/2019	Pinazzo et al.
D826,435 S	8/2018	Kim	D845,188 S	4/2019	Pinazzo et al.
D826,803 S	8/2018	Smith et al.	D845,189 S	4/2019	Pinazzo et al.
D827,506 S	9/2018	McMahan et al.	D845,190 S	4/2019	Zipfel
D827,508 S	9/2018	Whitla et al.	D845,196 S	4/2019	Kozub
D827,510 S	9/2018	Kim	D845,518 S	4/2019	Kozub
D827,527 S	9/2018	Loeb	D845,519 S	4/2019	Zipfel
D828,246 S	9/2018	Loeb	D846,448 S	4/2019	Loeb
D828,261 S	9/2018	Moffett et al.	D846,457 S	4/2019	Koo et al.
D828,267 S *	9/2018	Badstuebner D12/209	D846,458 S	4/2019	Mack et al.
D828,935 S	9/2018	Hochmuth	D846,769 S	4/2019	Koo et al.
D829,622 S	10/2018	Jacob	D846,770 S	4/2019	Kozub
D830,241 S	10/2018	Kozub	D846,771 S	4/2019	Zipfel
D830,242 S	10/2018	Zipfel	D846,772 S	4/2019	Pinazzo et al.
D830,252 S	10/2018	Swanseger	D847,027 S	4/2019	Loeb
D830,258 S	10/2018	McMahan et al.	D847,028 S	4/2019	Loeb
D830,261 S	10/2018	Jacob	D847,038 S	4/2019	Loeb
D830,589 S	10/2018	Henriques	D847,041 S	4/2019	Blanski et al.
D832,752 S	11/2018	Lee	D847,042 S	4/2019	Pinazzo et al.
D833,941 S *	11/2018	Chung D12/209	D847,043 S	4/2019	Kozub
D835,003 S	12/2018	Thompson et al.	D847,044 S	4/2019	Zipfel
D835,012 S	12/2018	Smith et al.	D847,045 S	4/2019	Whitla et al.
D836,052 S *	12/2018	Sempek D12/209	D847,046 S	4/2019	Whitla et al.
D836,519 S *	12/2018	Kikuchi D12/209	D847,047 S	4/2019	Krieg et al.
D837,105 S	1/2019	Loeb	D847,390 S	4/2019	Koo et al.
D837,109 S	1/2019	Kozub et al.	D847,391 S	4/2019	Pinazzo et al.
D837,424 S	1/2019	Whitla et al.	D847,392 S	4/2019	Zipfel
D838,015 S	1/2019	McMahan et al.	D847,699 S	5/2019	Kozub
D838,016 S	1/2019	McMahan et al.	D847,700 S	5/2019	Kozub
D838,390 S	1/2019	McMahan et al.	D847,701 S	5/2019	Kozub
D838,391 S	1/2019	McMahan et al.	D847,702 S	5/2019	Zipfel
D839,157 S	1/2019	Smith et al.	D847,703 S	5/2019	Kozub
D839,163 S	1/2019	Pinazzo et al.	D847,704 S	5/2019	Zipfel
D839,164 S	1/2019	Zipfel	D847,705 S	5/2019	Zipfel
D839,460 S	1/2019	Zipfel et al.	D847,707 S	5/2019	Park Cheng et al.
D840,068 S	2/2019	Zipfel et al.	D847,714 S	5/2019	Mack et al.
D840,069 S	2/2019	Perkins	D848,315 S	5/2019	Koo et al.
D840,285 S	2/2019	Mack et al.	D848,318 S	5/2019	McMahan et al.
D840,286 S	2/2019	Mack et al.	D848,320 S	5/2019	Pinazzo et al.
D840,293 S	2/2019	Koo et al.	D848,322 S	5/2019	Mack et al.
D840,302 S	2/2019	O'Donnell et al.	D848,323 S	5/2019	Mack et al.
D840,303 S	2/2019	Park Cheng	D848,324 S	5/2019	Thurber et al.
D840,306 S	2/2019	Kozub	D848,325 S	5/2019	Thurber et al.
			D848,647 S	5/2019	Kozub
			D848,908 S	5/2019	Krieg
			D848,909 S	5/2019	Lee
			D848,911 S	5/2019	De Leon

(56)

References Cited

U.S. PATENT DOCUMENTS

D848,915 S	5/2019	Izard	
D849,627 S	5/2019	Zipfel	
D849,629 S	5/2019	De Leon	
D849,630 S	5/2019	De Leon	
D850,341 S	6/2019	Riggs et al.	
D850,989 S	6/2019	Kozub	
D851,002 S	6/2019	Kozub	
D851,541 S	6/2019	Pinazzo	
D851,542 S	6/2019	Mack	
D851,547 S	6/2019	Mack et al.	
D851,548 S	6/2019	Mack et al.	
D851,549 S	6/2019	Mack et al.	
D851,550 S	6/2019	Mack et al.	
D851,551 S	6/2019	Mack et al.	
D851,552 S	6/2019	Mack et al.	
D851,555 S	6/2019	Whitla et al.	
D851,556 S	6/2019	Thurber et al.	
D851,557 S	6/2019	Thurber et al.	
D851,558 S	6/2019	Thurber et al.	
D851,559 S	6/2019	Thurber et al.	
D851,560 S	6/2019	Yong et al.	
D851,561 S	6/2019	Yong et al.	
D860,898 S *	9/2019	Han	D12/209
D867,954 S *	11/2019	Yeh	D12/209
D877,018 S *	3/2020	Betancourt	D12/209
D896,718 S *	9/2020	Pollex	D12/209
D897,927 S *	10/2020	Langhals	D12/211
D900,694 S *	11/2020	Melikian	D12/209
D901,360 S *	11/2020	Visa	D12/211
D908,576 S *	1/2021	Han	D12/209
D913,896 S *	3/2021	Lemke	D12/209
D926,656 S *	8/2021	O'Neill	D12/209

* cited by examiner

FIG. 1

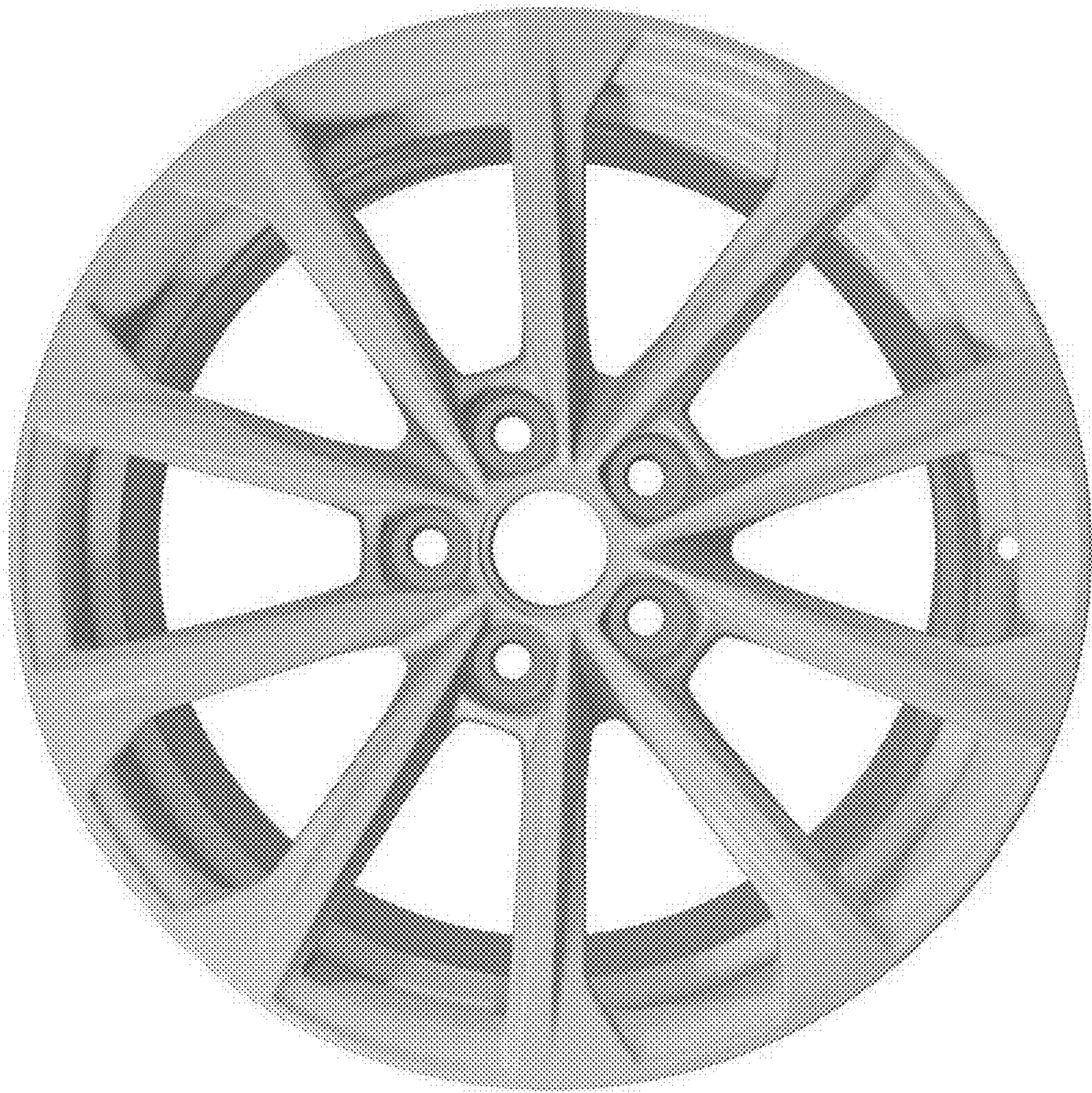


FIG. 2

