



US00D938875S

(12) **United States Design Patent** (10) **Patent No.:** **US D938,875 S**
Sloterbeek (45) **Date of Patent:** **** Dec. 21, 2021**

(54) **REARVIEW MIRROR**
(71) Applicant: **Gentex Corporation**, Zeeland, MI (US)
(72) Inventor: **Eric S. Sloterbeek**, Hudsonville, MI (US)
(73) Assignee: **GENTEX CORPORATION**, Zeeland, MI (US)
(**) Term: **15 Years**
(21) Appl. No.: **29/655,152**
(22) Filed: **Jun. 29, 2018**
(51) **LOC (13) Cl.** **12-16**
(52) **U.S. Cl.**
USPC **D12/187**
(58) **Field of Classification Search**
USPC D12/187, 188, 189; D6/300, 309
CPC B60R 1/082; B60R 1/081; B60R 1/08;
B60R 1/078; B60R 1/074; B60R 1/076;
B60R 1/00; B60R 1/12; B60R 1/1207;
B60R 1/04; B60R 1/088; H04N 5/2252;
G02B 27/0149
See application file for complete search history.

2014/0192431 A1* 7/2014 Sloterbeek B60R 1/04
359/871
2019/0299867 A1* 10/2019 Pollack B60R 1/088
2020/0293099 A1* 9/2020 Veenman H04N 5/2252

OTHER PUBLICATIONS

Youtube.com “CES 2017—Gentex—Camera Monitoring System (CMS)” First uploaded on Feb. 2, 2017. Retrieved Mar. 22, 2021. (<https://www.youtube.com/watch?v=IHLKyN6nRzY>).*
Youtube.com. “2017 WRX: Subaru Genuine Auto Dimming Compass Mirror Install”, Coop_Nation, Published Jan. 27, 2018. (<https://www.youtube.com/watch?v=5GcLJUFPY0E>) (Year: 2018).*

* cited by examiner

Primary Examiner — Susan E Krakower
Assistant Examiner — Jerry Shiuan-Hua Hsu
(74) *Attorney, Agent, or Firm* — Price Heneveld LLP;
Brian James Brewer

(57) **CLAIM**

The ornamental design for a rearview mirror, as shown and described.

DESCRIPTION

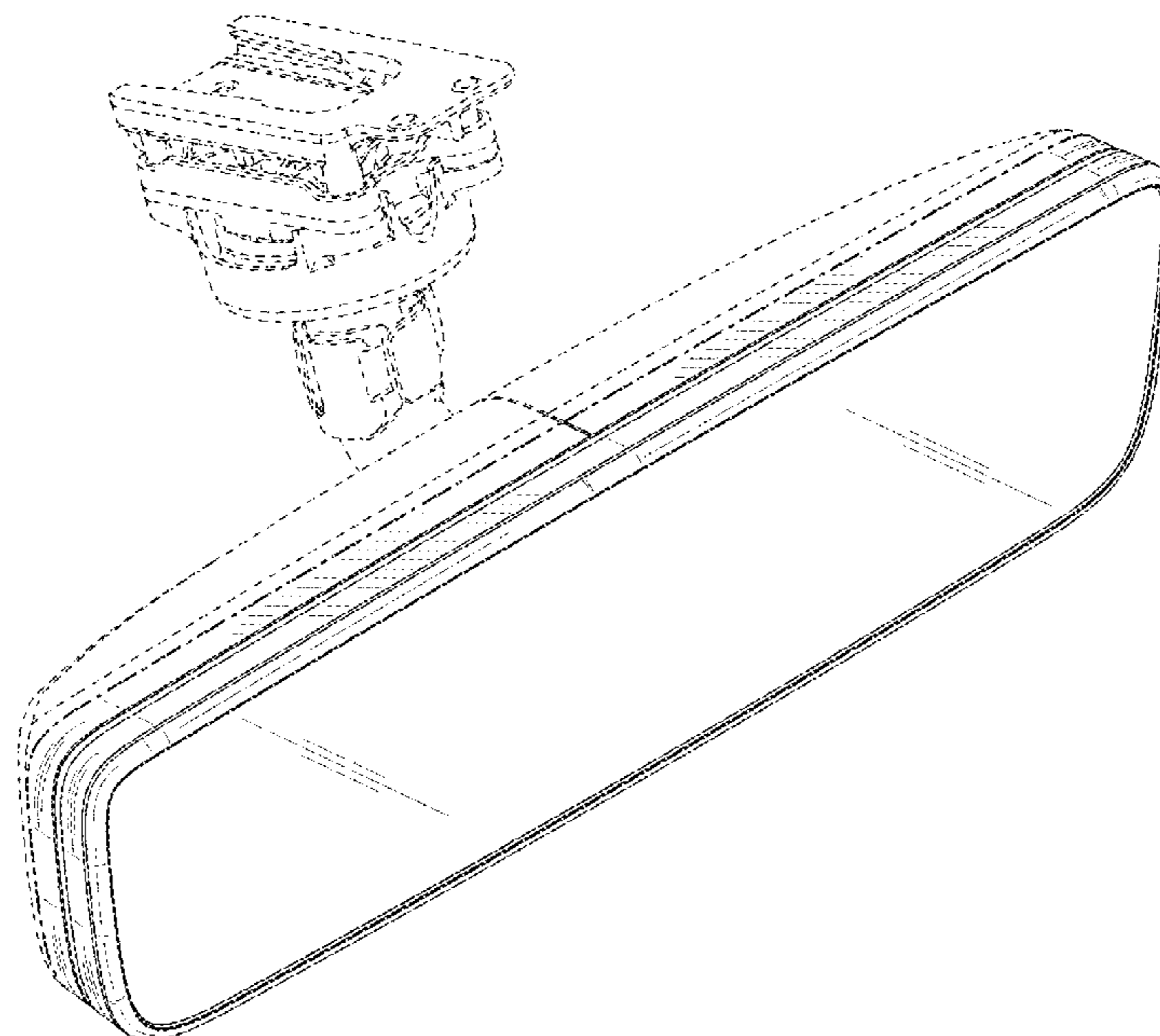
FIG. 1 is a front perspective view of a rearview mirror according our design;
FIG. 2 is a front elevation view thereof;
FIG. 3 is a back elevation view thereof;
FIG. 4 is a right side elevation view thereof;
FIG. 5 is a left side elevation view thereof;
FIG. 6 is a top plan view thereof; and,
FIG. 7 is a bottom plan view thereof.
The portions of the article shown in broken line form no part of the claimed design.
Dash-dot lines adjacent un-shaded areas represent bounds of the claimed design and form no part of the claimed design themselves.

1 Claim, 6 Drawing Sheets

(56) **References Cited**

U.S. PATENT DOCUMENTS

D391,214 S *	2/1998	Hook	D12/187
D410,607 S *	6/1999	Carter	D12/187
D451,456 S *	12/2001	Santo	D12/187
D451,869 S *	12/2001	Knapp	D12/187
D746,195 S *	12/2015	Sloterbeek	D12/187
D865,599 S *	11/2019	Hamlin	D12/187
D874,367 S *	2/2020	Roth	D12/187
D881,769 S *	4/2020	Hamlin	D12/187
10,829,047 B2 *	11/2020	Hamlin	B60R 1/00
D906,913 S *	1/2021	Chang	D12/187



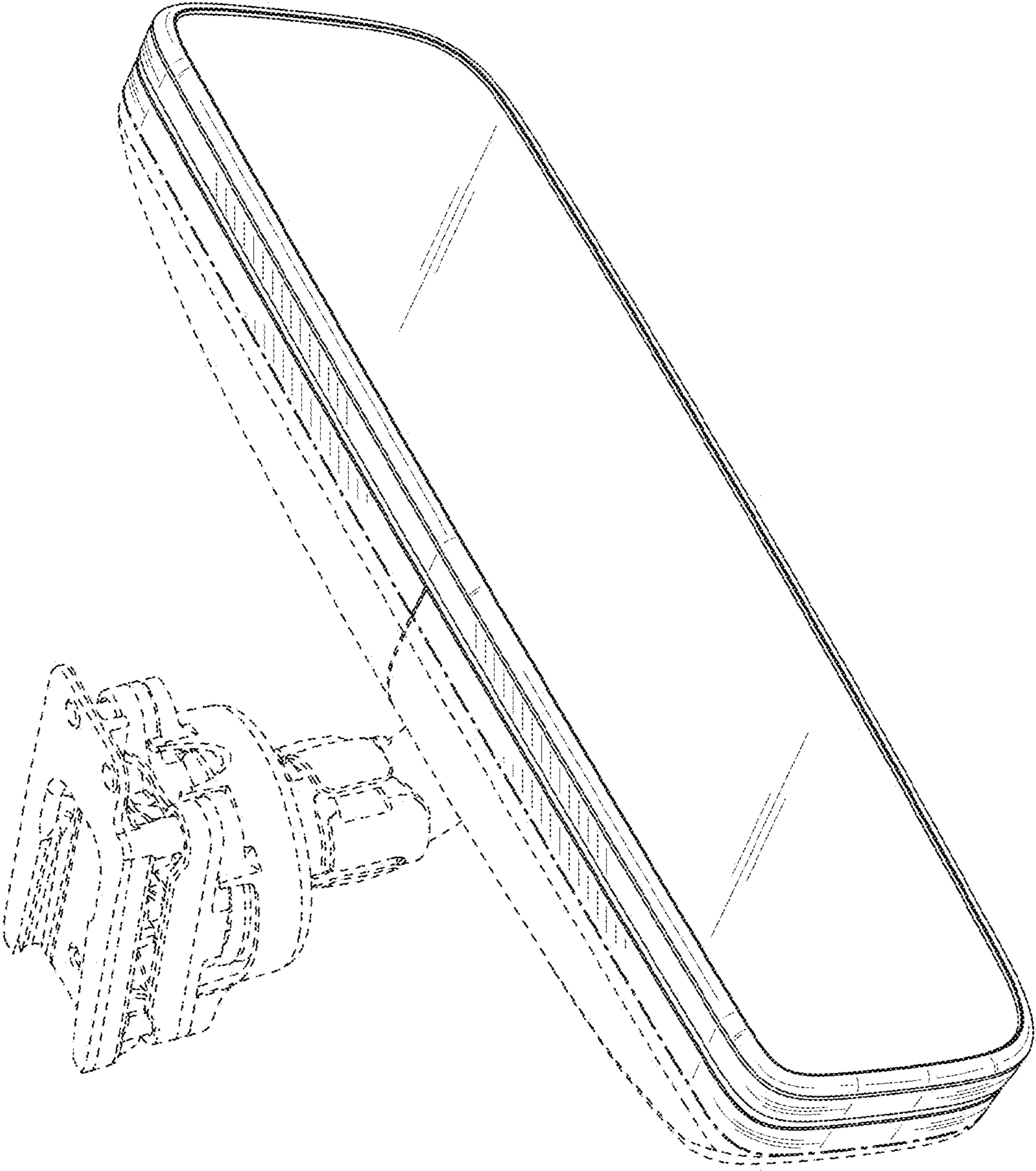


FIG. 1

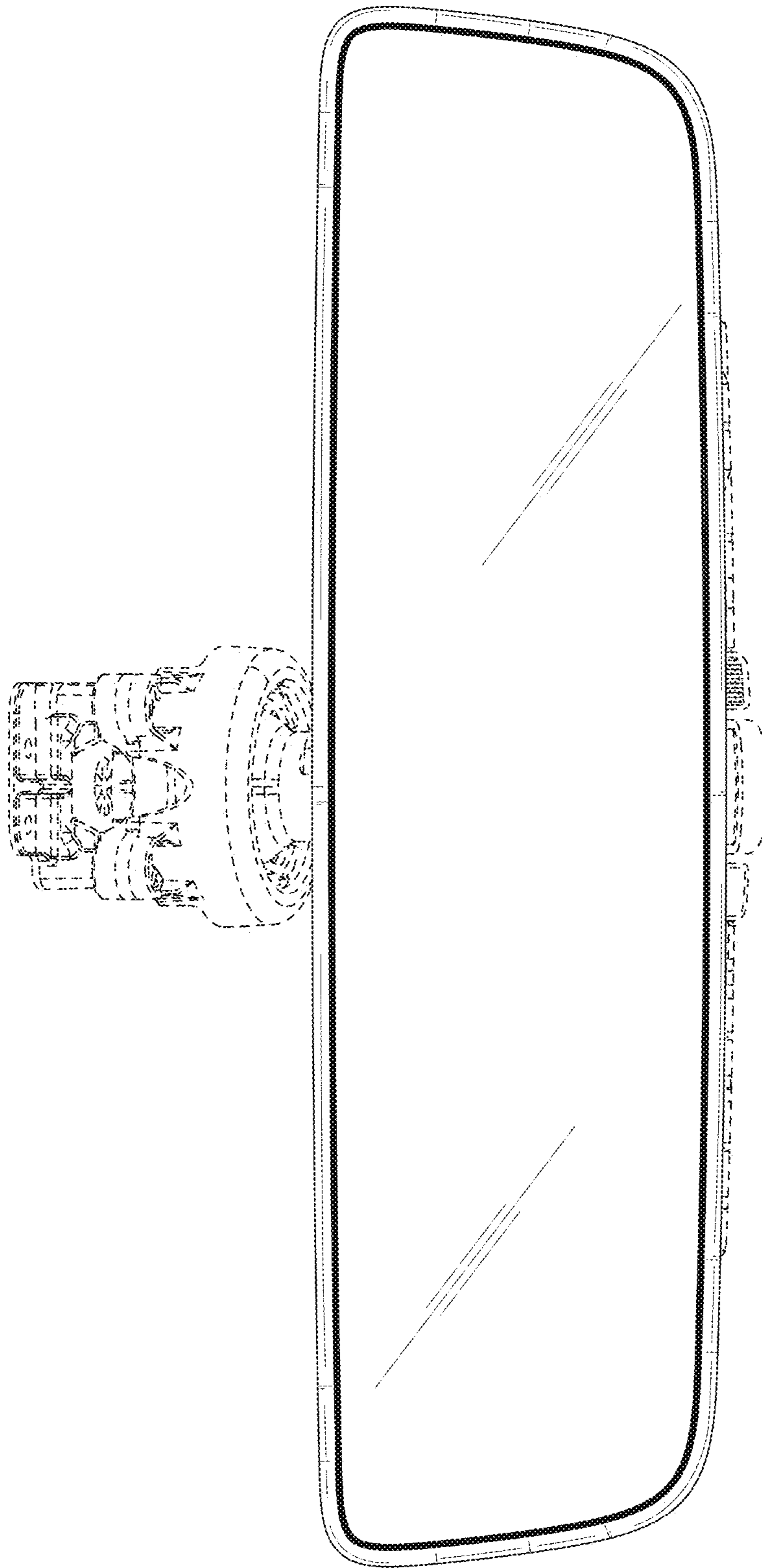


FIG. 2

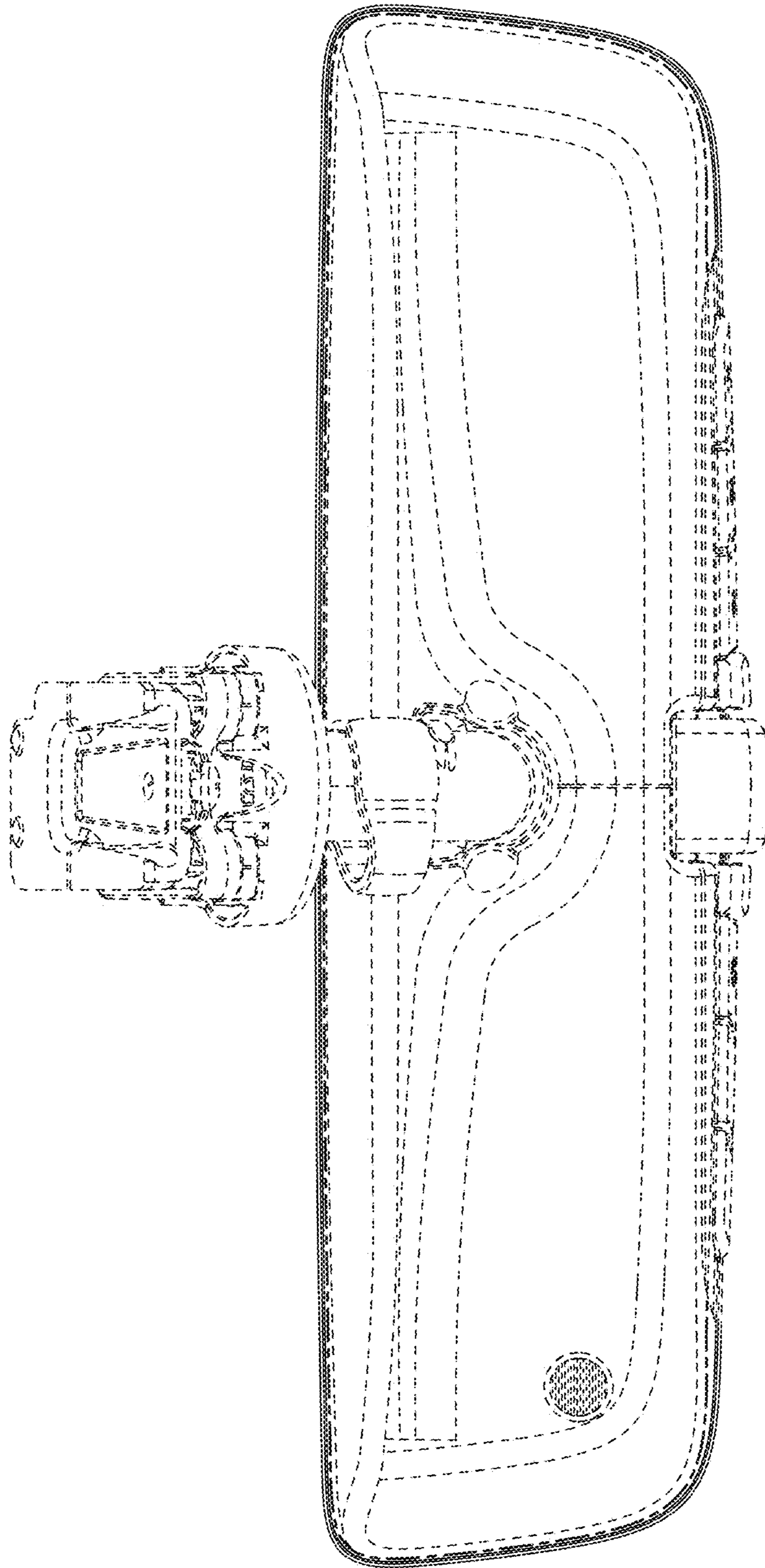


FIG. 3

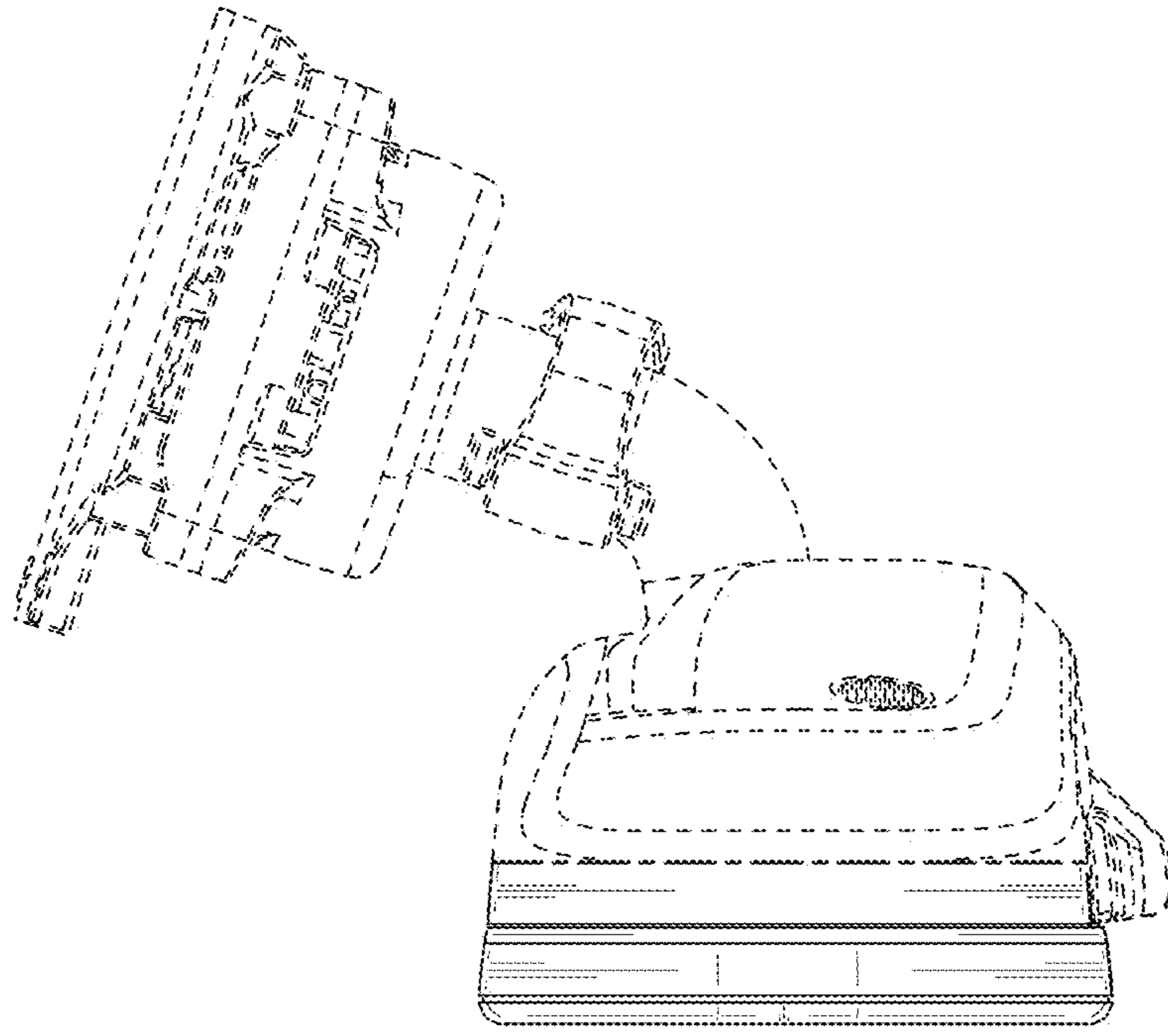


FIG. 5

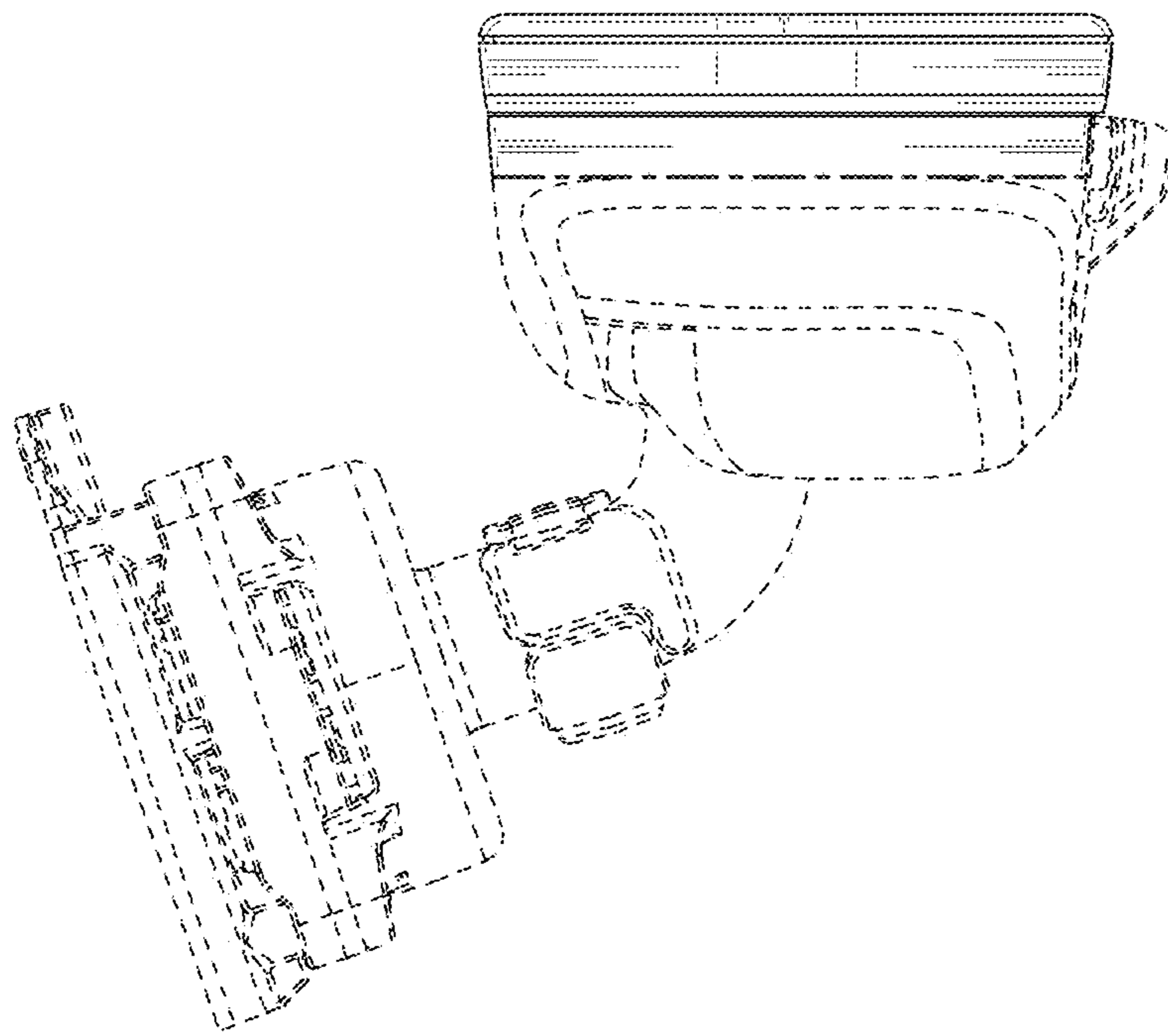


FIG. 4

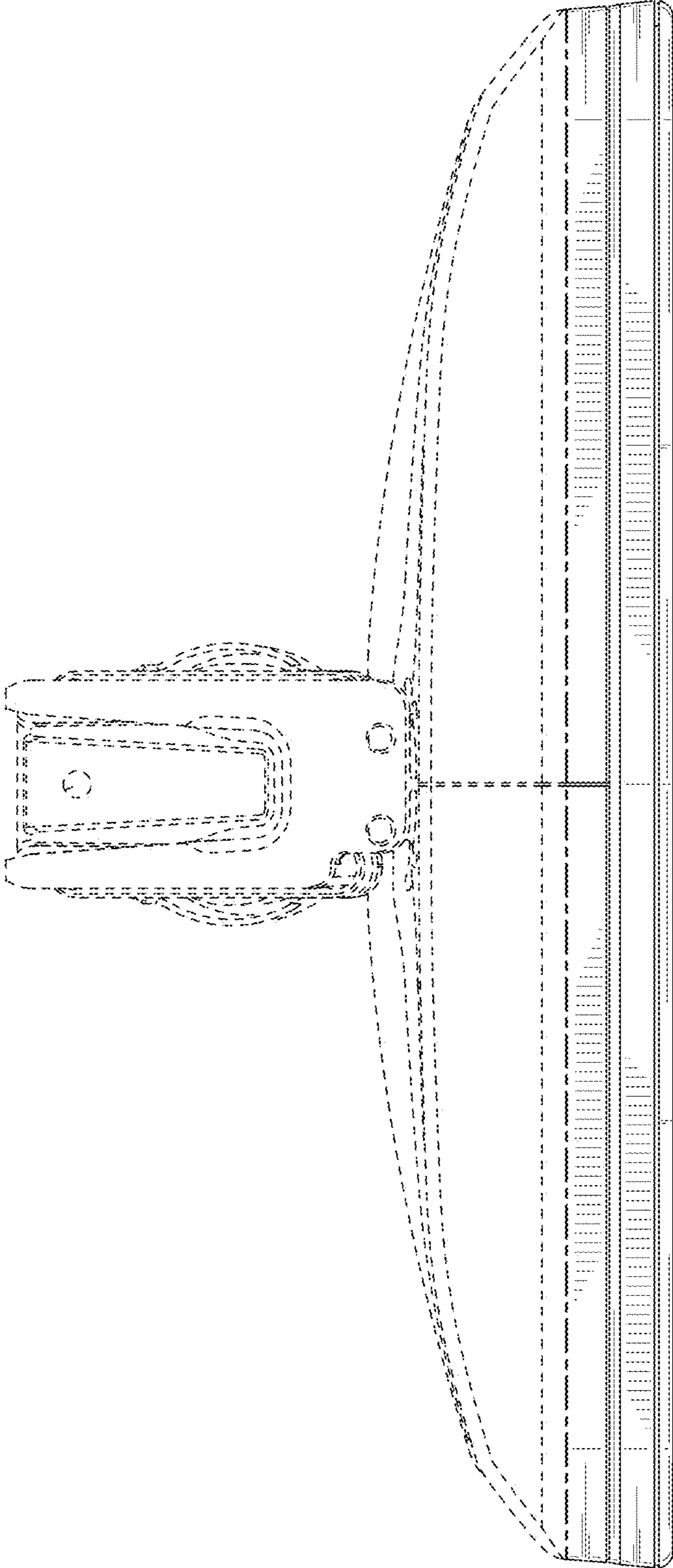


FIG. 6

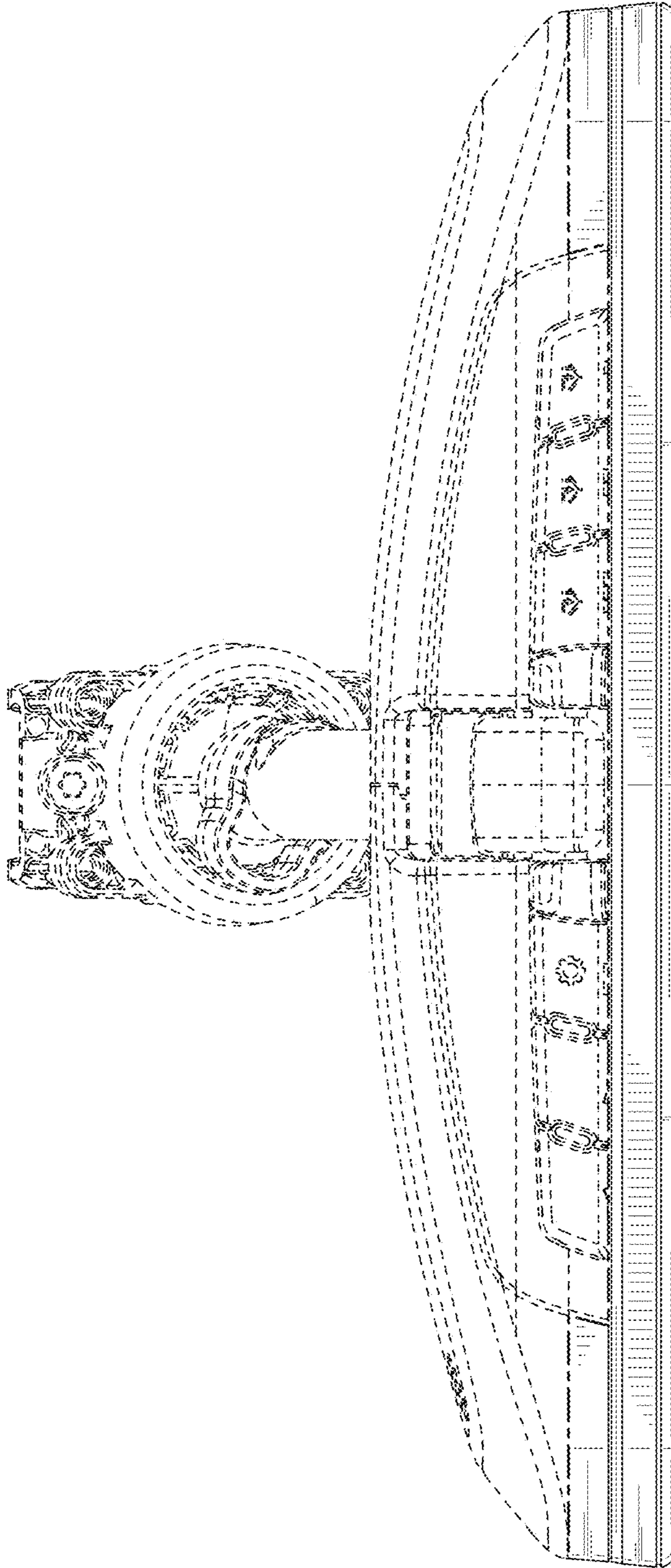


FIG. 7