



US00D938872S

(12) **United States Design Patent** (10) **Patent No.:** **US D938,872 S**
Liao (45) **Date of Patent:** **** Dec. 21, 2021**

(54) **CALIPER FOR A DISC BRAKE**
(71) Applicant: **Chih-Hsien Liao**, Taichung (TW)
(72) Inventor: **Chih-Hsien Liao**, Taichung (TW)

10,844,917 B2 * 11/2020 Igawa F16D 55/228
D931,171 S * 9/2021 Nessi D12/180
2016/0053835 A1 * 2/2016 Castellana F16D 55/228
188/72.4
2020/0080601 A1 * 3/2020 Liao F16D 65/0978

(**) Term: **15 Years**

OTHER PUBLICATIONS

(21) Appl. No.: **29/752,137**

“Wilwood D-52 and D-154 Performance Caliper” Wilwood., posted date Aug. 25, 2020 [online], [retrieved on Oct. 7, 2021]. Retrieved from the Internet <URL:https://www.buybrakes.com/brake-calipers/wilwood-d-52-and-d-154-performance-caliper-kits> (Year: 2020).*

(22) Filed: **Sep. 25, 2020**

(51) **LOC (13) Cl.** **12-16**

(Continued)

(52) **U.S. Cl.**

USPC **D12/180**

(58) **Field of Classification Search**

USPC D12/114, 122, 123, 126, 127, 160, 180

CPC F16D 65/128; F16D 65/12; F16D 65/123;

F16D 65/127; F16D 2065/1328; B22C

9/00; C23C 4/067

See application file for complete search history.

Primary Examiner — Darlington Ly

Assistant Examiner — Nasim Abdulaziz Ali

(74) *Attorney, Agent, or Firm* — Hamre, Schumann, Mueller & Larson, P.C.

(57) **CLAIM**

The ornamental design for a caliper for a disc brake, as shown and described.

(56) **References Cited**

DESCRIPTION

U.S. PATENT DOCUMENTS

D804,375 S *	12/2017	Crippa	D12/180
D816,002 S *	4/2018	Crippa	D12/180
D840,301 S *	2/2019	Bonetti	D12/180
D842,782 S *	3/2019	Verdelli	D12/180
D851,566 S *	6/2019	Nessi	D12/180
D861,559 S *	10/2019	Scotti	D12/180
D862,327 S *	10/2019	Scotti	D12/180
D864,062 S *	10/2019	Preda	D12/180
D864,808 S *	10/2019	Crippa	D12/180
D864,809 S *	10/2019	Puddu	D12/180
D865,594 S *	11/2019	Honzawa	D12/180
D868,654 S *	12/2019	Thorpe	D12/180
D868,655 S *	12/2019	Thorpe	D12/180
D877,673 S *	3/2020	Oku	D12/180
D892,007 S *	8/2020	Scotti	D12/180
D902,097 S *	11/2020	Ock	D12/180

FIG. 1 is a top front perspective view of a caliper for a disc brake showing my new design;

FIG. 2 is a front elevational view thereof;

FIG. 3 is a rear elevational view thereof;

FIG. 4 is a left side elevational view thereof;

FIG. 5 is a right side elevational view thereof;

FIG. 6 is a top plan view thereof;

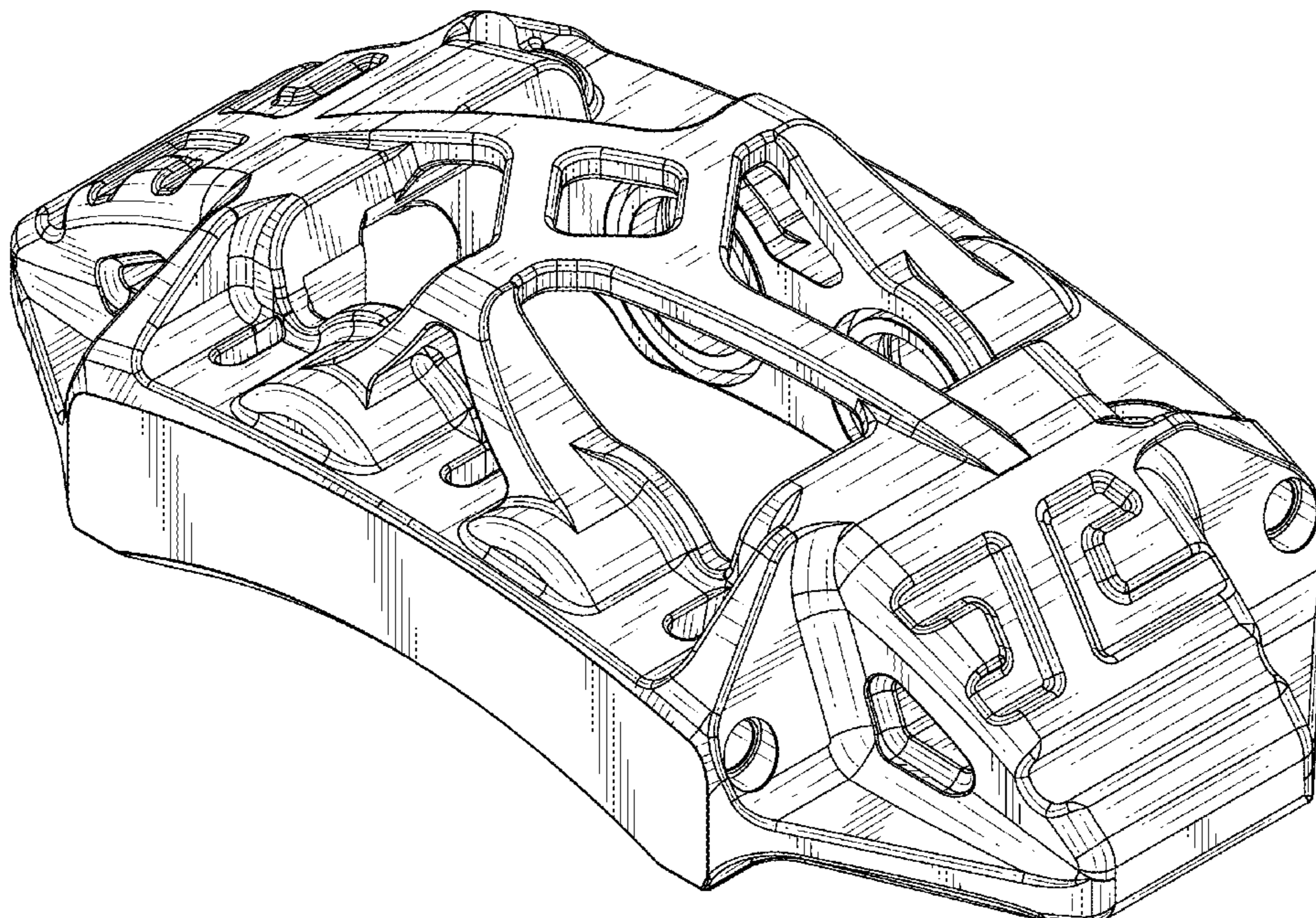
FIG. 7 is a bottom plan view thereof;

FIG. 8 is a bottom perspective view thereof; and,

FIG. 9 is a top rear perspective view thereof.

The broken lines depict portions of the caliper for a disc brake in which the design is embodied that form no part of the claimed design.

1 Claim, 9 Drawing Sheets



(56)

References Cited

OTHER PUBLICATIONS

“EBC®—Apollo Series Brake Calipers” EBC., posted date Oct. 16, 2016 [online], [retrieved on Oct. 7, 2021]. Retrieved from the Internet <URL:https://www.carid.com/ebc-brakes/ebc-apollo-series-brake-calipers.html?urlId=209662> (Year: 2016).*

“GM 7 Front Driver Side Disc Brake Caliper” ACDelco., posted date Oct. 10, 2007 [online], [retrieved on Oct. 7, 2021]. Retrieved from the Internet <URL:https://www.amazon.com/ACDelco-172-2287-Original-Equipment-Assembly/dp/B0010GOHP6/ref=psdc_46212011_t2_B01K8BWCUG> (Year: 2007).*

* cited by examiner

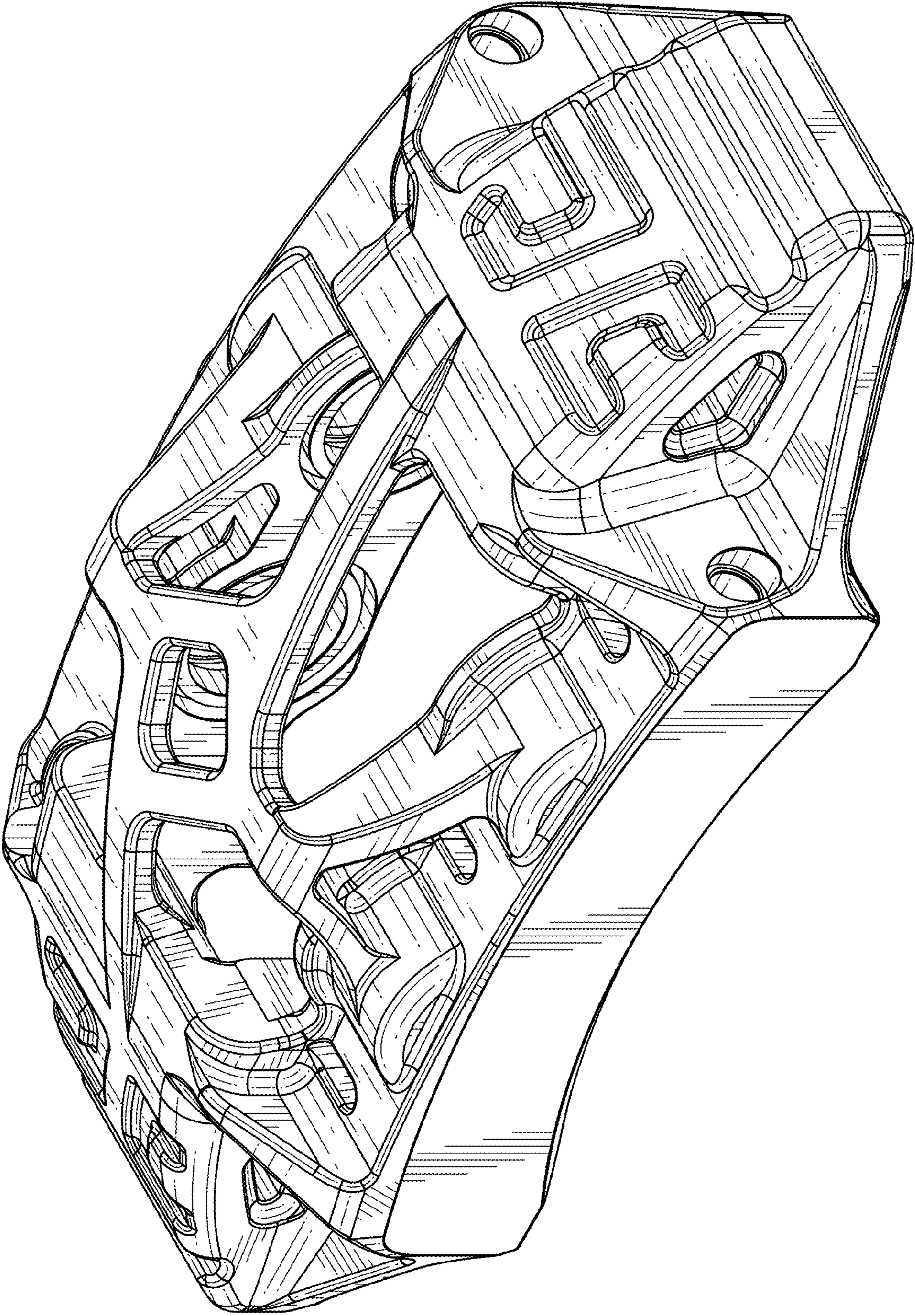


FIG.1

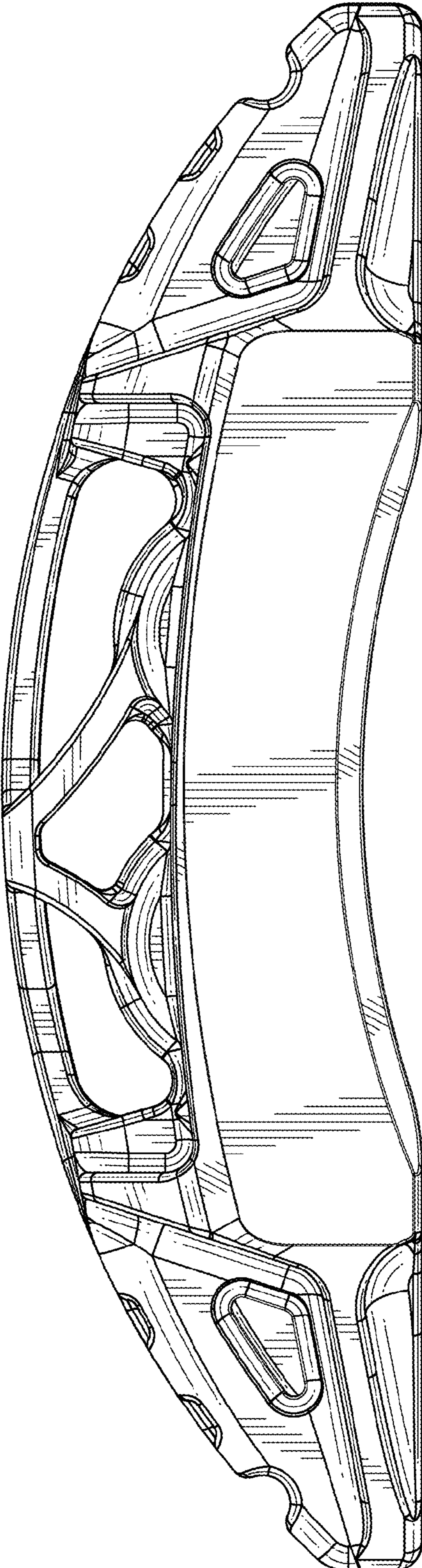


FIG.2

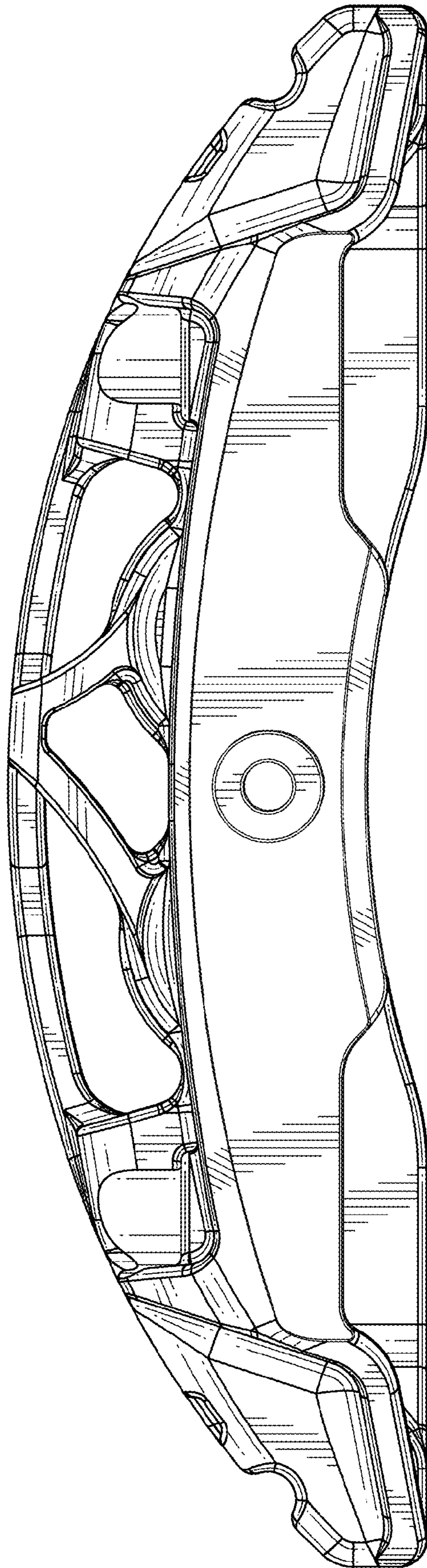


FIG.3

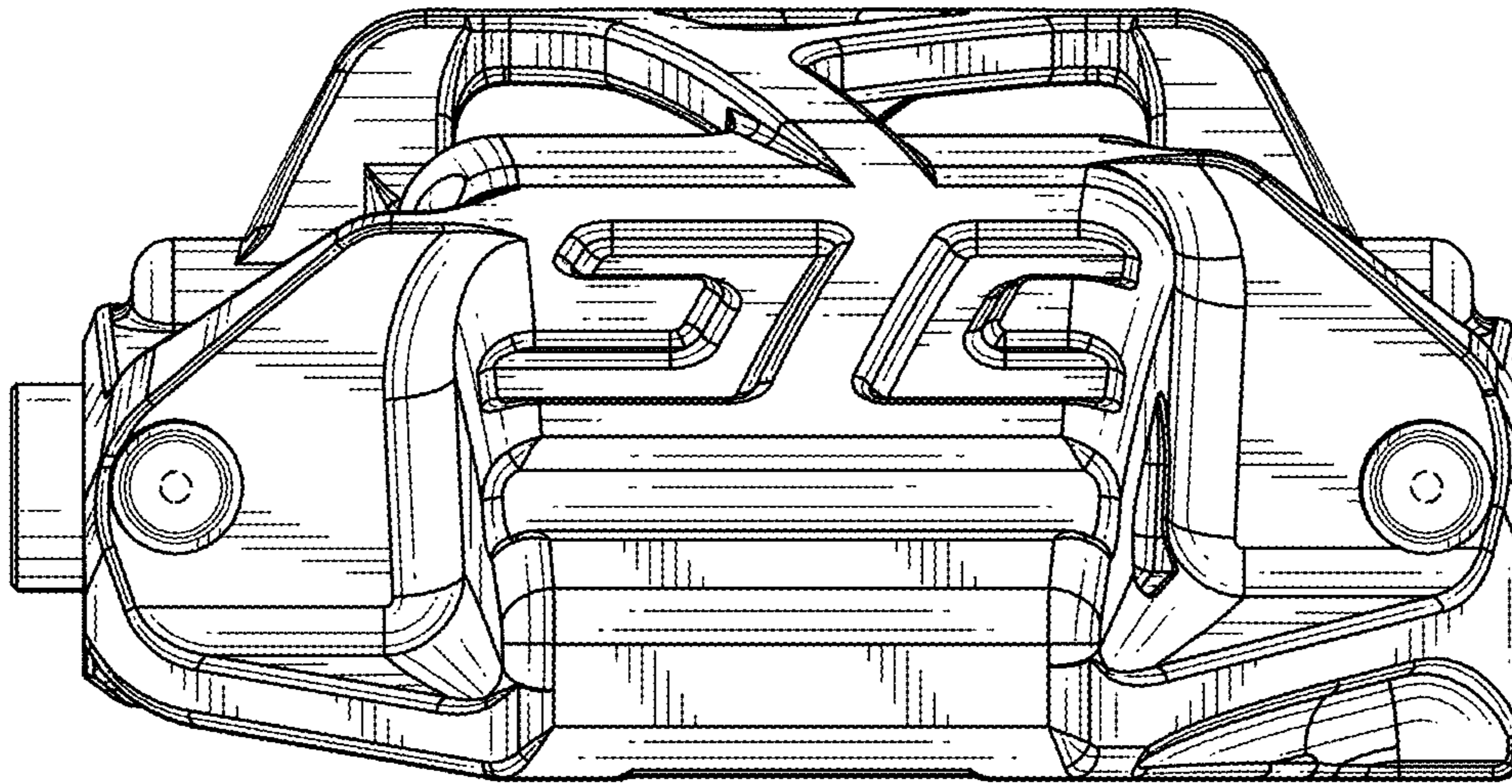


FIG.4

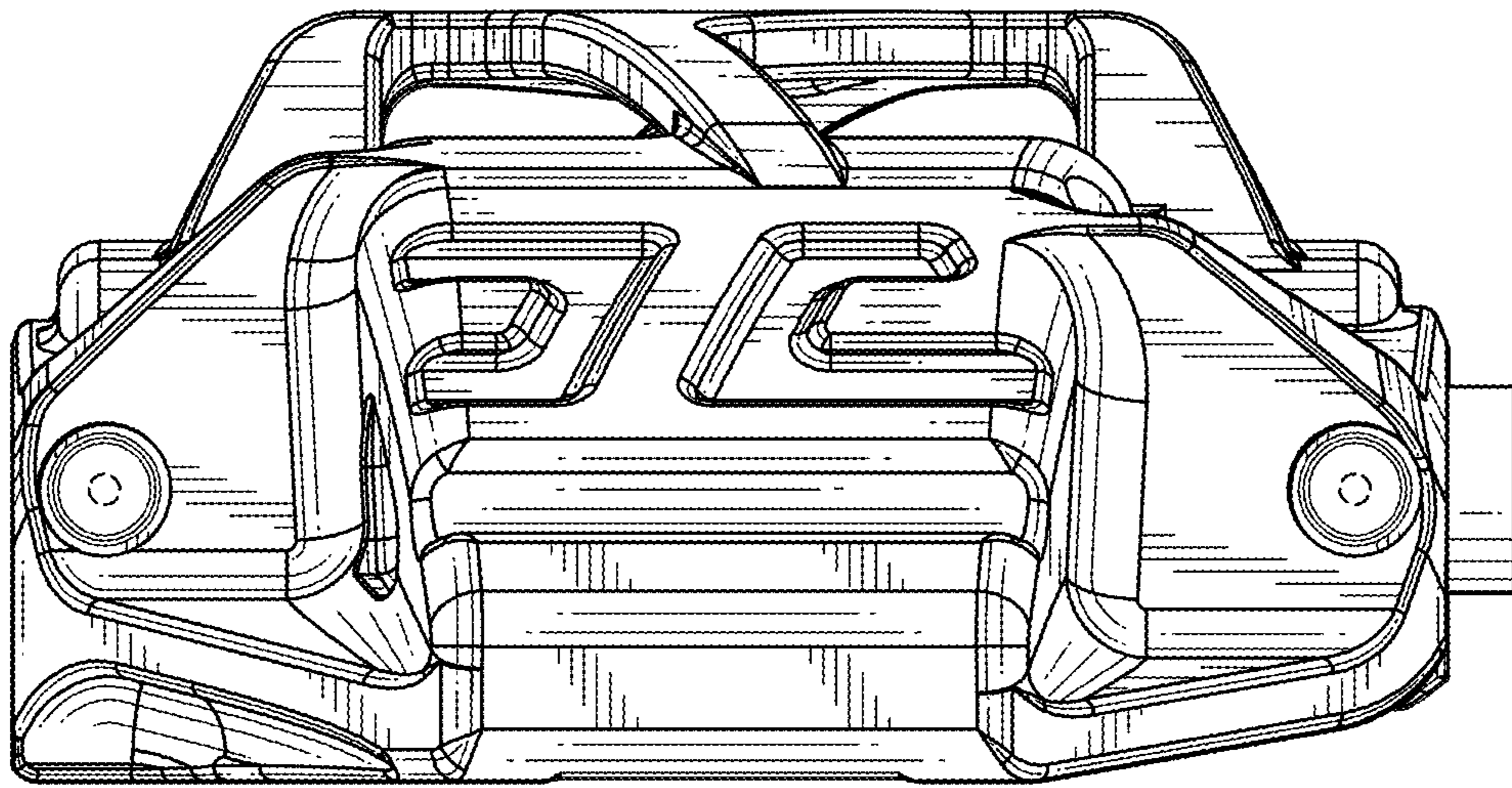


FIG.5

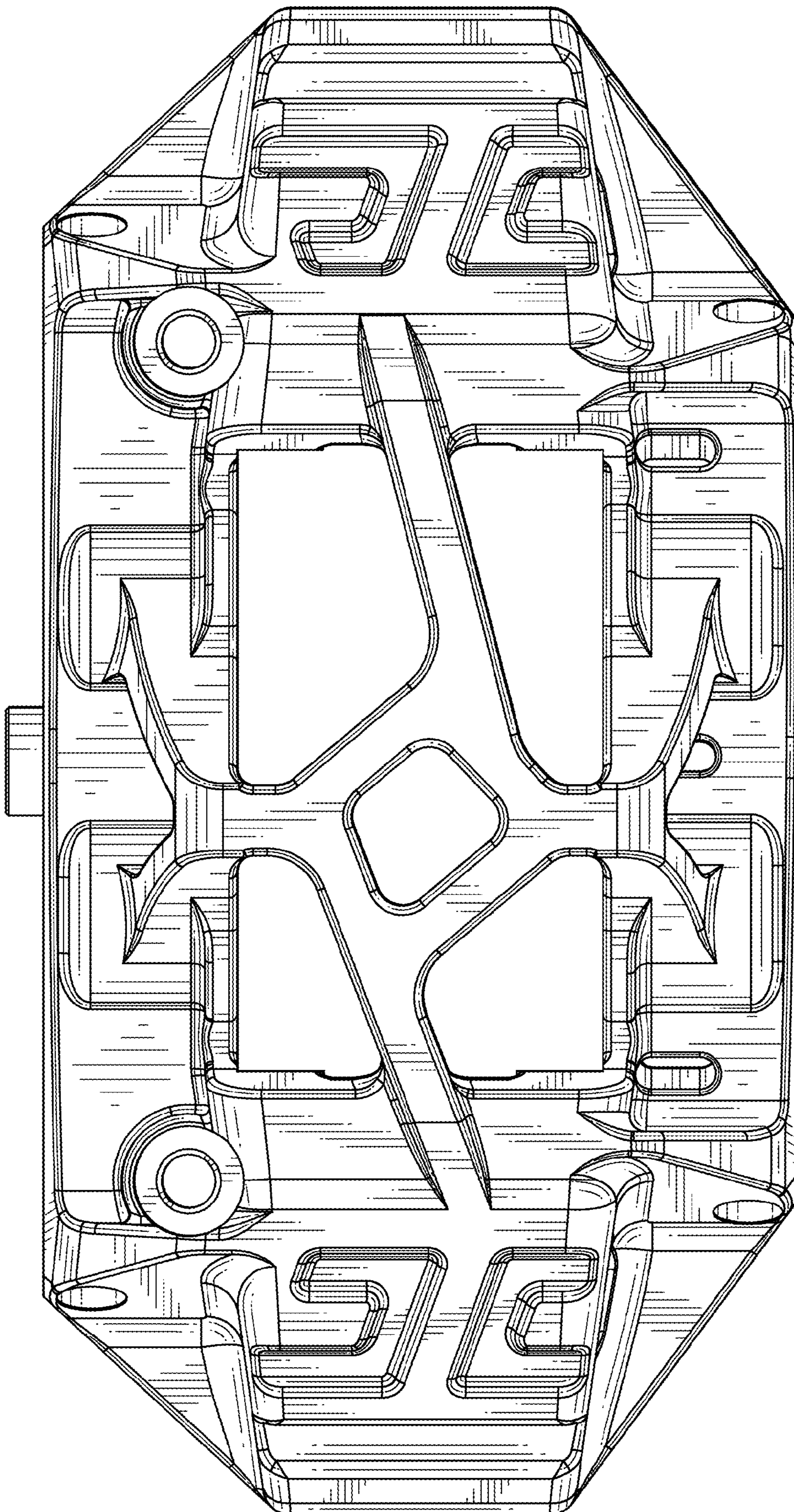


FIG.6

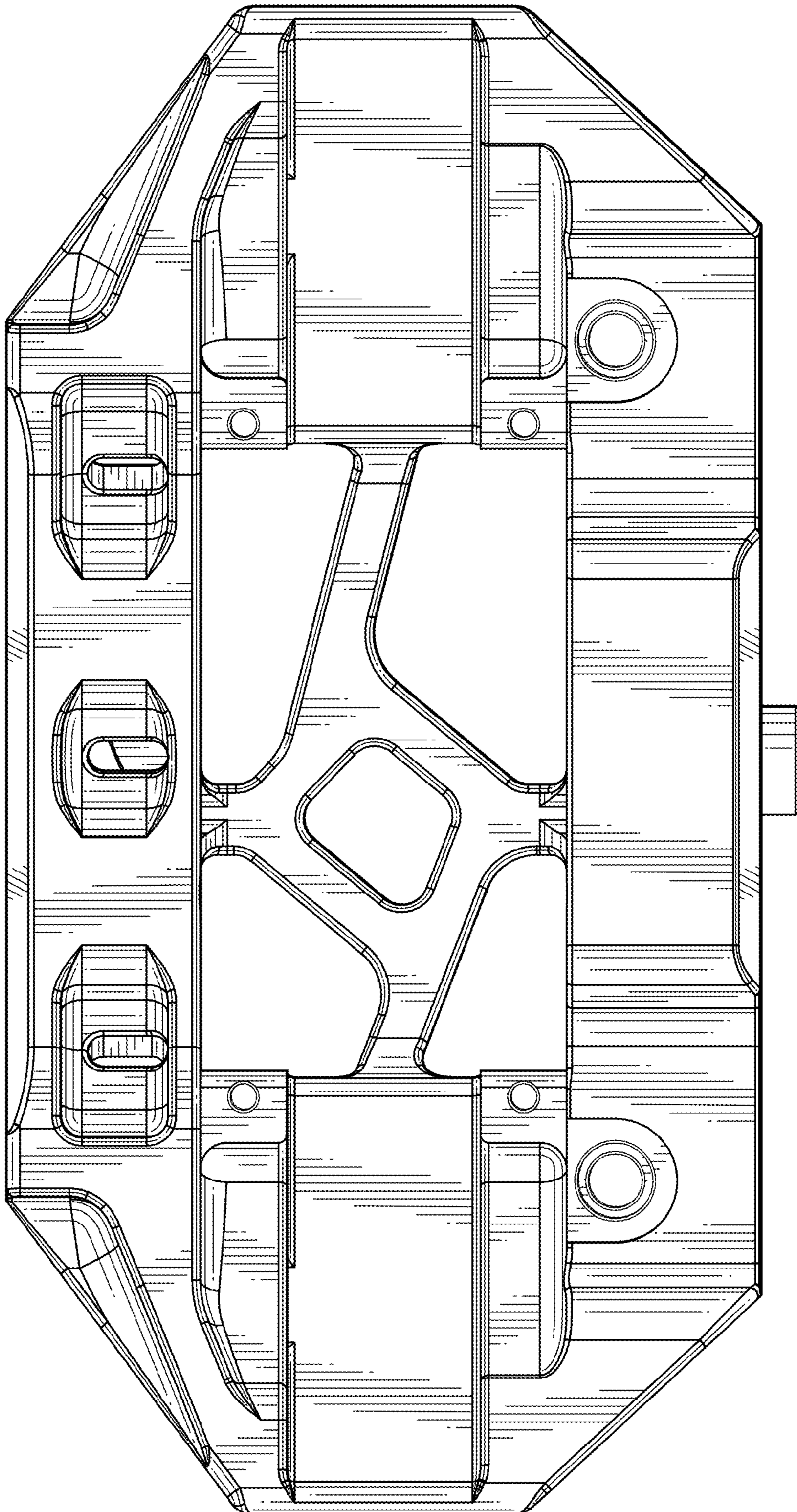


FIG. 7

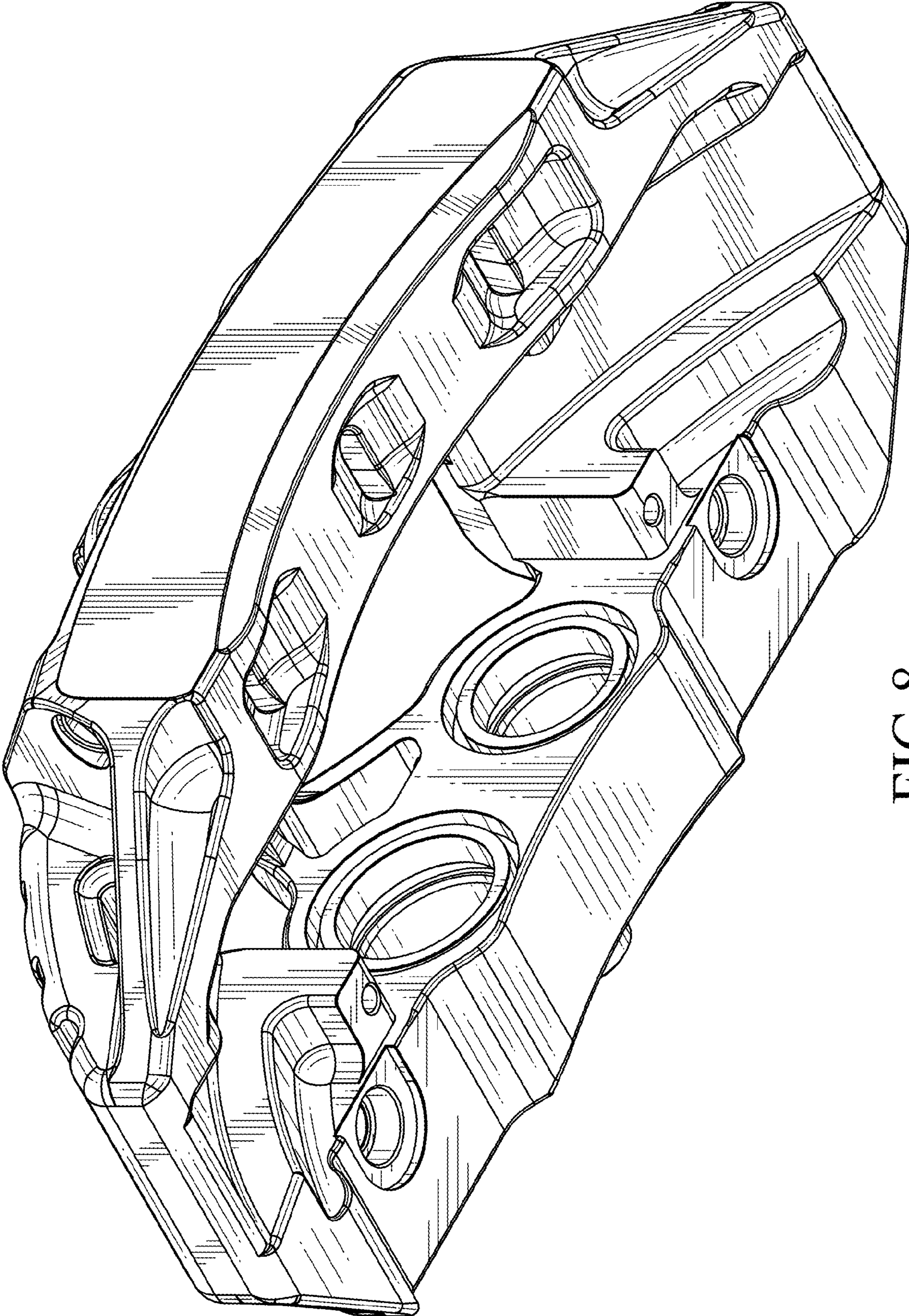


FIG. 8

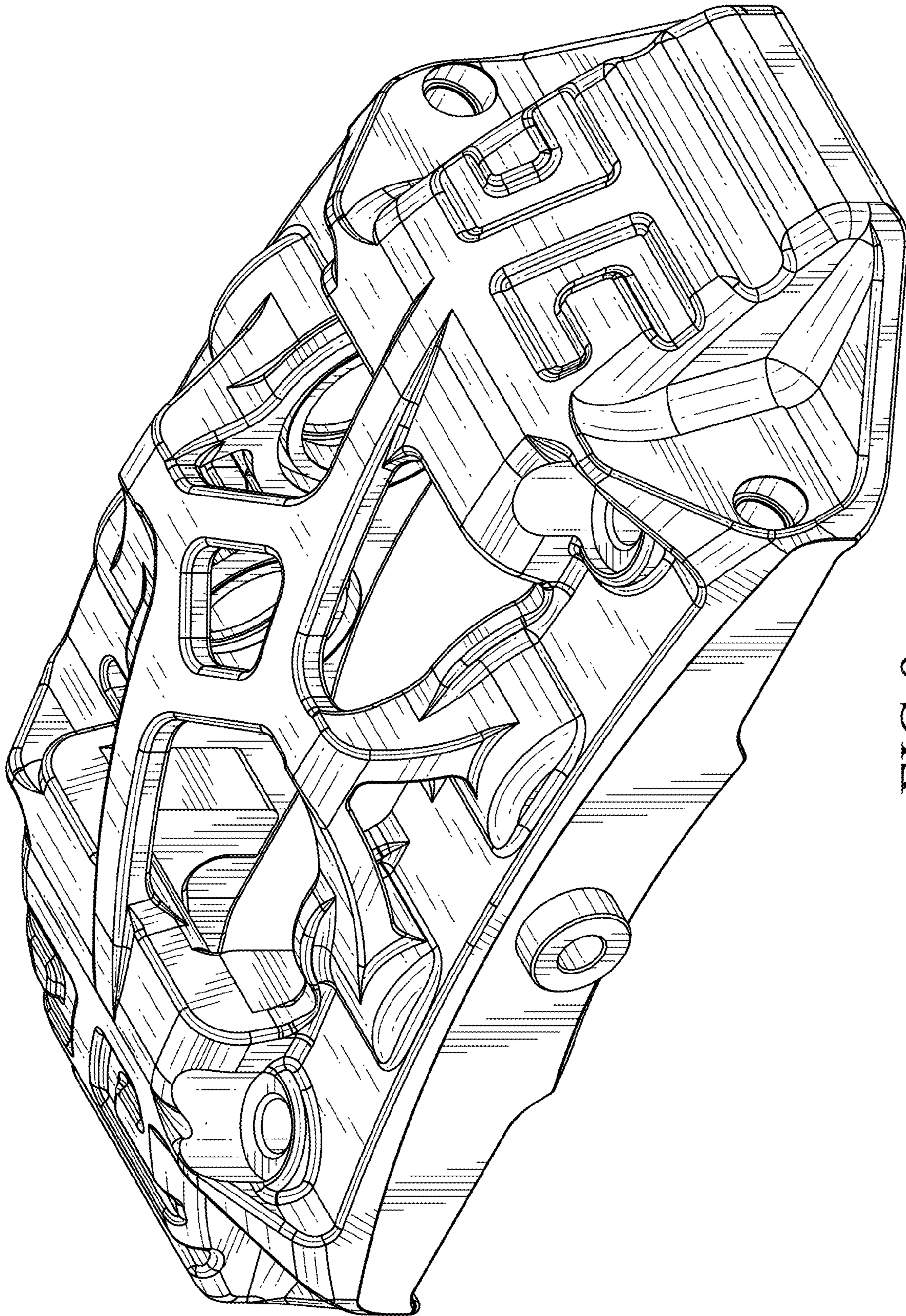


FIG. 9