

US00D938869S

(12) **United States Design Patent** (10) **Patent No.:** **US D938,869 S**
Frank et al. (45) **Date of Patent:** **** Dec. 21, 2021**

(54) **VEHICLE HOOD**
(71) Applicant: **Factory Five Licensing, Inc.,**
Wareham, MA (US)
(72) Inventors: **Phil Frank,** Wareham, MA (US);
James Schenck, Wareham, MA (US)
(73) Assignee: **Factory Five Licensing, Inc.,**
Wareham, MA (US)
(**) Term: **15 Years**
(21) Appl. No.: **29/722,433**
(22) Filed: **Jan. 29, 2020**
(51) **LOC (13) Cl.** **12-08**
(52) **U.S. Cl.**
USPC **D12/173**
(58) **Field of Classification Search**
USPC D12/86, 91, 93, 163, 164, 165, 166, 167,
D12/169, 171, 172, 173, 190, 216
CPC B60R 9/06; B60R 19/02; B60R 19/04;
B60R 19/18; B60R 19/44; B60R 19/48;
B62D 35/02; B62D 39/00; B62D 65/16;
B62D 21/12; B29C 45/16
See application file for complete search history.

D777,220 S * 1/2017 Powell D15/31
D823,755 S * 7/2018 Rolfs D12/173
D848,327 S * 5/2019 Tovey D12/173
D863,158 S * 10/2019 Goodrich D12/173
D867,944 S * 11/2019 Smith D12/173
D869,361 S * 12/2019 Donfrancesco D12/173
D872,663 S * 1/2020 Pollard D12/173
D894,063 S * 8/2020 Dionisopoulos D12/173
D902,809 S * 11/2020 Hunwick D12/173

(Continued)

OTHER PUBLICATIONS

Glou, Ronan. "Factory Five Reveals Build-it-Yourself F9R Supercar." Dec. 12, 2019. Autoblog. <https://www.autoblog.com/2019/12/12/factory-five-f9r/>.*

(Continued)

Primary Examiner — Manpreet S Matharu
Assistant Examiner — Suzanne E Tisdell
(74) *Attorney, Agent, or Firm* — McInnes & McLane, LLP

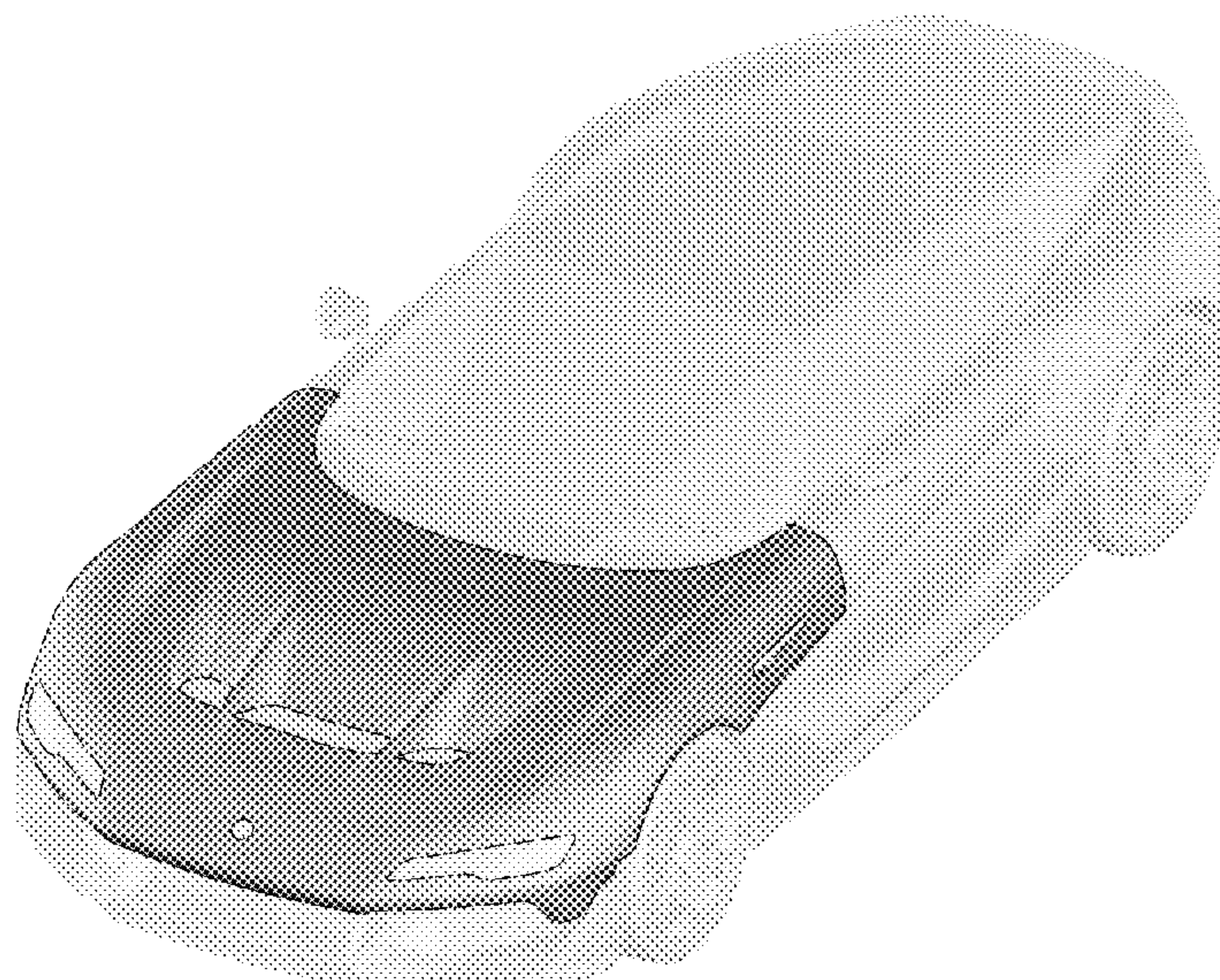
(57) **CLAIM**
The ornamental design for a vehicle hood, as shown and described.

DESCRIPTION

FIG. 1 is a top front perspective view of a vehicle hood showing our new design;
FIG. 2 is a top rear perspective view of the vehicle hood of FIG. 1;
FIG. 3 is a front view of the vehicle hood of FIG. 1;
FIG. 4 is a rear view of the vehicle hood of FIG. 1;
FIG. 5 is a left side view of the vehicle hood of FIG. 1;
FIG. 6 is a right side view of the vehicle hood of FIG. 1; and,
FIG. 7 is a top view of the vehicle hood of FIG. 1.
The dot-dash pattern broken lines show a claim boundary. Neither the broken lines themselves nor the area outside of the broken lines form any part of the claimed design.

1 Claim, 6 Drawing Sheets

(56) **References Cited**
U.S. PATENT DOCUMENTS
D473,829 S * 4/2003 Hoyle, Jr. D12/173
D528,482 S * 9/2006 Hamburger D12/181
D561,665 S * 2/2008 Thomas D12/173
D597,002 S * 7/2009 Jamieson D12/173
D619,062 S * 7/2010 Improta D12/173
D623,100 S * 9/2010 Bimbi D12/173
D703,119 S * 4/2014 Platto D12/173
D735,625 S * 8/2015 Mays D12/173
D739,317 S * 9/2015 McMahan D12/173
D740,187 S * 10/2015 Jamieson D12/173
D762,148 S * 7/2016 Platto D12/173
D772,768 S * 11/2016 Chiang D12/173



(56)

References Cited

U.S. PATENT DOCUMENTS

D903,554 S * 12/2020 Sullivan D12/173
2004/0256024 A1 * 12/2004 Schlachter B60K 15/04
141/86
2006/0048986 A1 * 3/2006 Bracciano B60H 1/28
180/69.2
2006/0201727 A1 * 9/2006 Chan B62D 29/043
180/69.25
2017/0355400 A1 * 12/2017 Weston B62D 25/12

OTHER PUBLICATIONS

Anderson, Brad. "Factory Five's F9R: The Ultimate Kit Car has a 755 HP, 9.5-Liter V12- But Might Not Happen." Dec. 15, 2019. Car Scoops. <https://www.carscoops.com/2019/12/factory-fives-f9r-the-ultimate-kit-car-has-a-755-hp-9-5-liter-v12-but-might-not-happen/>.*

Blain, Loz. "Factory Five Shows Off its Upcoming 9.5-liter F9R Kit Supercar." Dec. 12, 2019. New Atlas. <https://newatlas.com/automotive/factory-five-f9r-kit-supercar-9-5-liter/>.*

Vehicle Hood . . . (Design—© Questel) orbit.com. [Online PDF compilation of references] 38 pgs. Print Dates Range Jul. 31, 2020-Oct. 30, 2018 [Retrieved Mar. 24, 2021].*

* cited by examiner

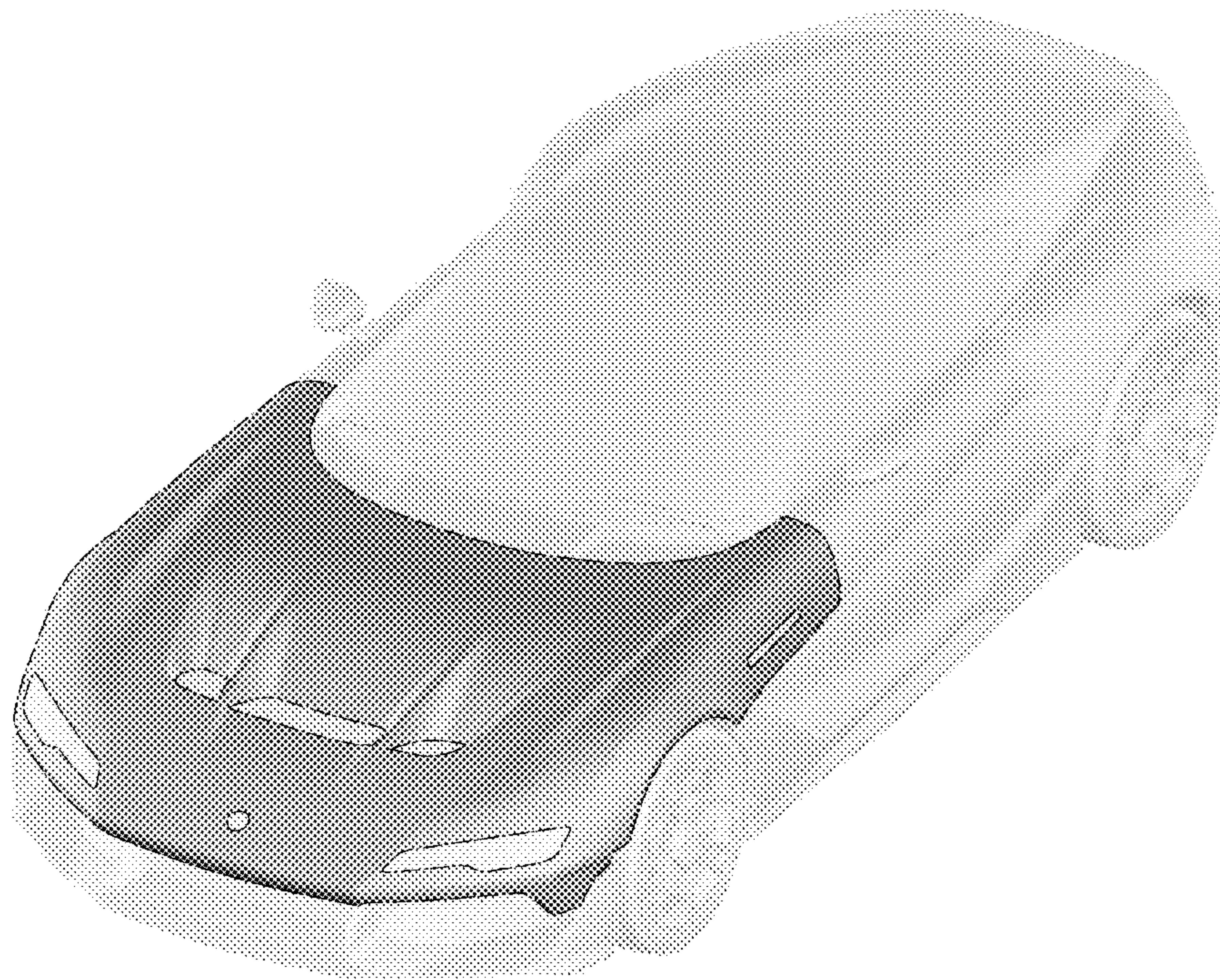


Fig. 1

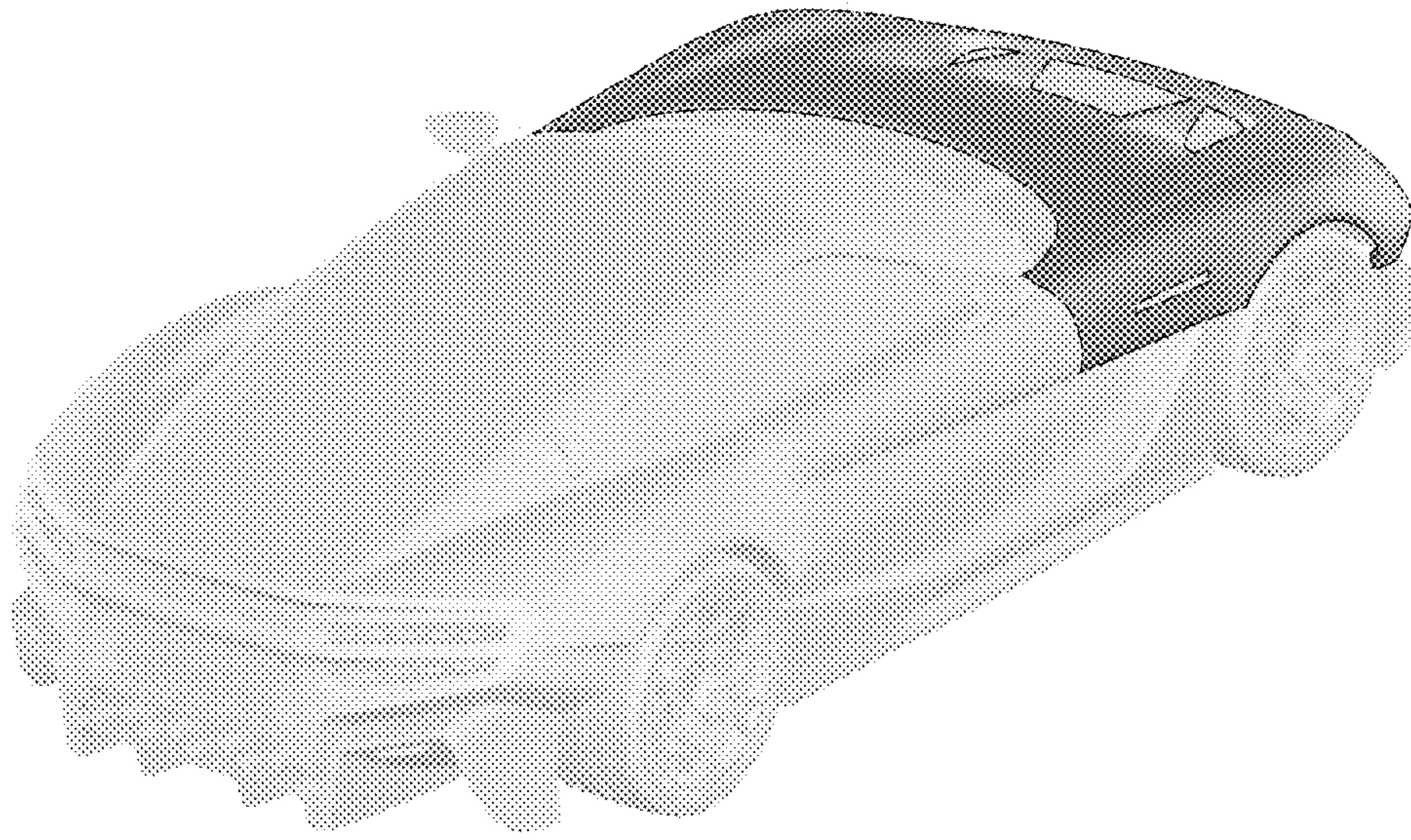


Fig. 2

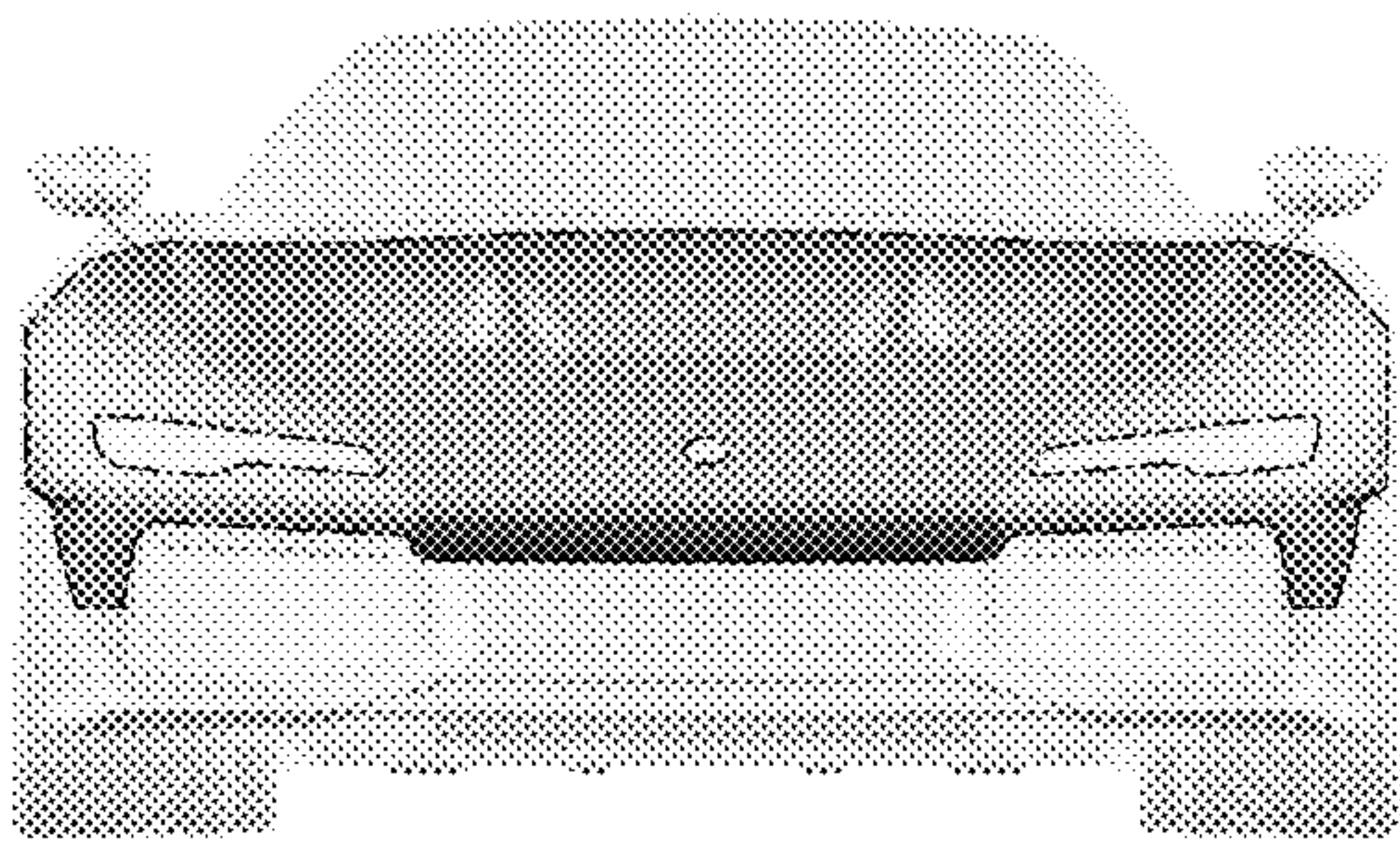


Fig. 3

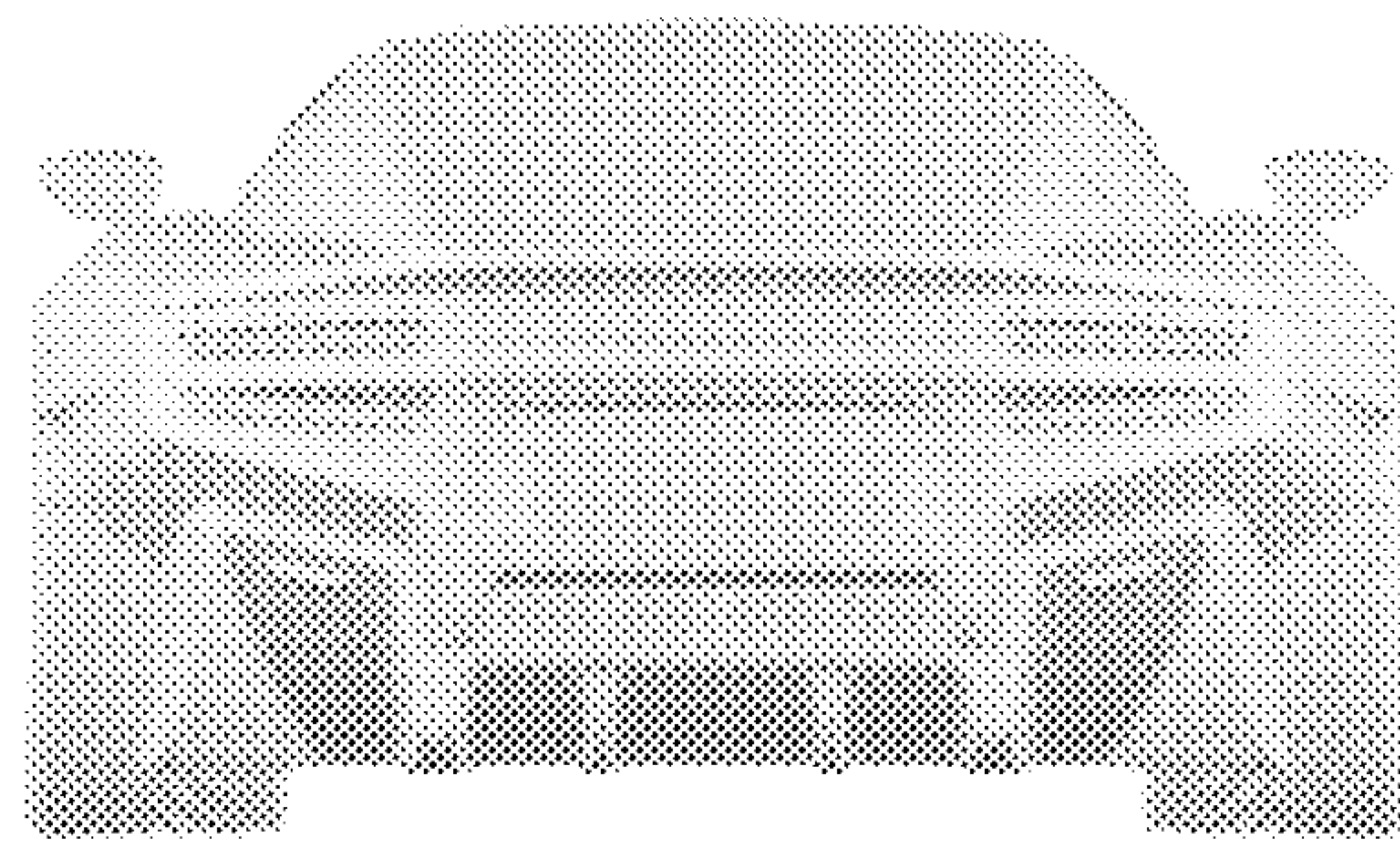


Fig. 4

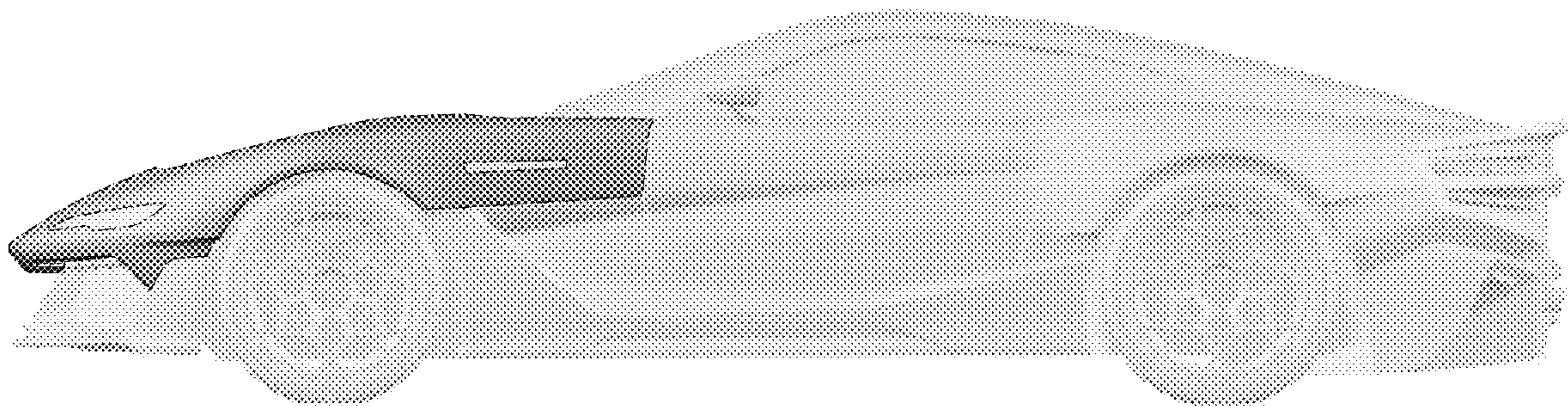


Fig. 5

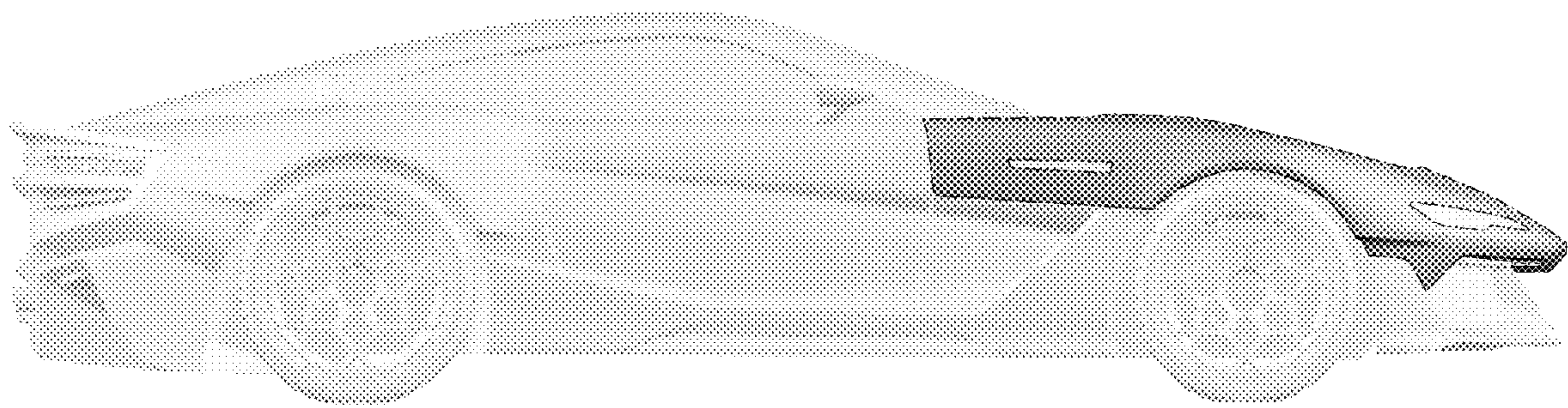


Fig. 6



Fig. 7