



US00D938864S

(12) **United States Design Patent** (10) **Patent No.:** **US D938,864 S**
Tong (45) **Date of Patent:** **** Dec. 21, 2021**

- (54) **BRACKET FOR BICYCLE**
- (71) Applicant: **Yuantao Tong**, Zhejiang (CN)
- (72) Inventor: **Yuantao Tong**, Zhejiang (CN)
- (**) Term: **15 Years**
- (21) Appl. No.: **29/776,816**
- (22) Filed: **Apr. 1, 2021**
- (51) **LOC (13) Cl.** **12-11**
- (52) **U.S. Cl.**
USPC **D12/117; D12/111**
- (58) **Field of Classification Search**
USPC D12/111, 112, 117, 119, 223; D34/18
CPC B62K 19/34; B62K 19/40; B62K 19/42;
B62M 3/003
See application file for complete search history.

- D876,991 S * 3/2020 Tsai D12/111
- D885,986 S * 6/2020 Choi
- D908,543 S * 1/2021 Richard D12/111
- D909,921 S * 2/2021 Stafford
- D920,168 S * 5/2021 van den Adel D12/111
- 11,009,112 B2 * 5/2021 Moore B22D 21/007
- 11,014,628 B2 * 5/2021 Choltco-Devlin B62M 1/36
- 11,124,258 B2 * 9/2021 Hsu B62M 3/003
- 2019/0077476 A1 * 3/2019 Lloyd B62J 25/00
- 2019/0185101 A1 * 6/2019 Choi B62K 3/02

* cited by examiner

Primary Examiner — Darlington Ly

(57) **CLAIM**

The ornamental design for a bracket for bicycle, as shown and described.

DESCRIPTION

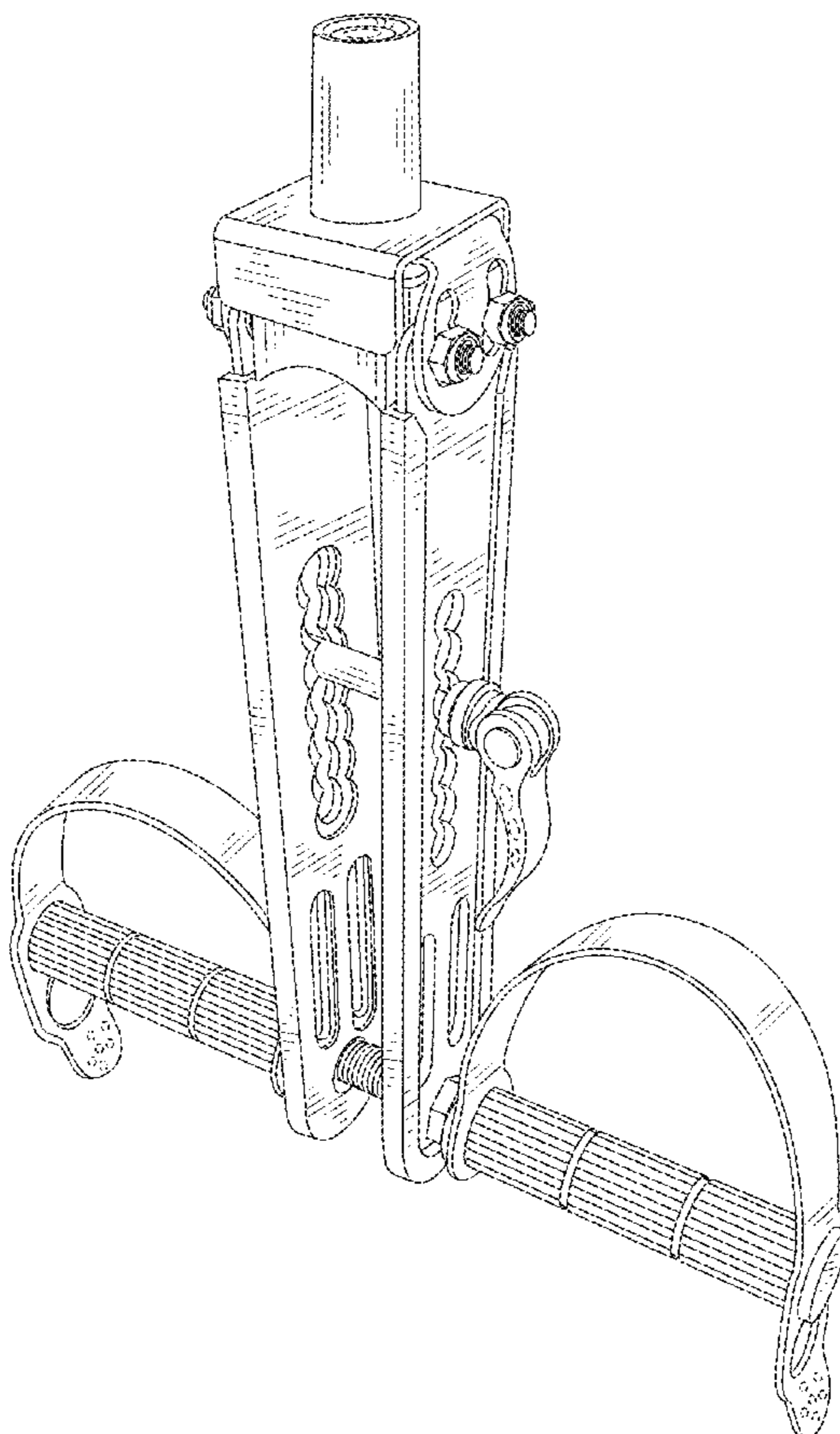
FIG. 1 is a perspective view of a bracket for bicycle showing my new design;
 FIG. 2 is a front elevational view thereof;
 FIG. 3 is a rear elevational view thereof;
 FIG. 4 is a left side elevational view thereof;
 FIG. 5 is a right side elevational view thereof;
 FIG. 6 is a top plan view thereof;
 FIG. 7 is a bottom plan view thereof; and,
 FIG. 8 is another perspective view thereof.
 The broken lines throughout the drawing figures depict portions of the bracket for bicycle that form no part of the claimed design.

(56) **References Cited**

U.S. PATENT DOCUMENTS

- D615,386 S * 5/2010 Hardin D8/354
- D683,661 S * 6/2013 Horne D12/111
- D780,071 S * 2/2017 Teal D12/111
- D783,460 S * 4/2017 Beale D12/111
- D802,487 S 11/2017 Petrov
- D804,364 S * 12/2017 Xianqiang D12/111
- D842,765 S 3/2019 Deltour
- D865,574 S 11/2019 Russell

1 Claim, 8 Drawing Sheets



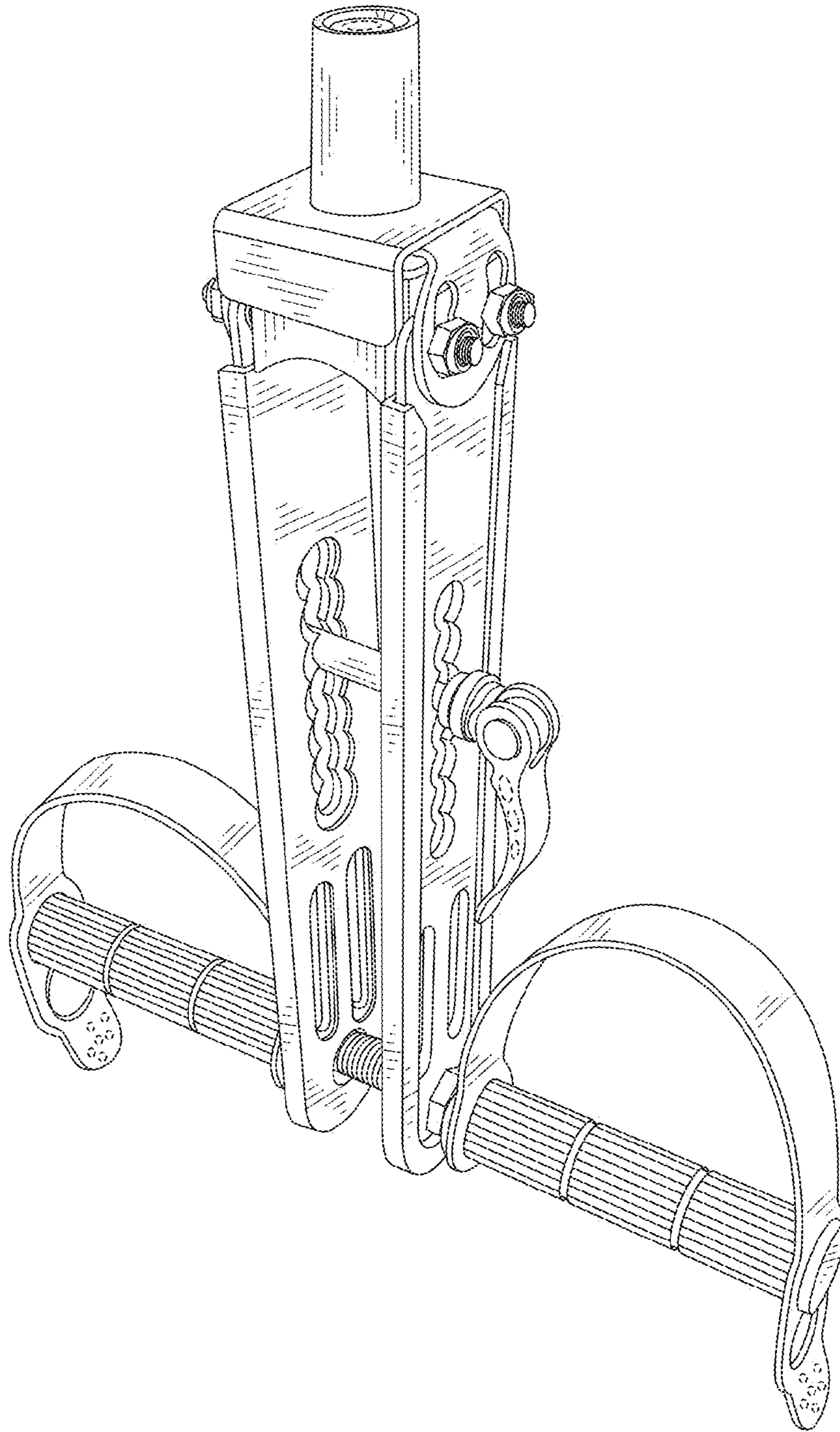


FIG.1

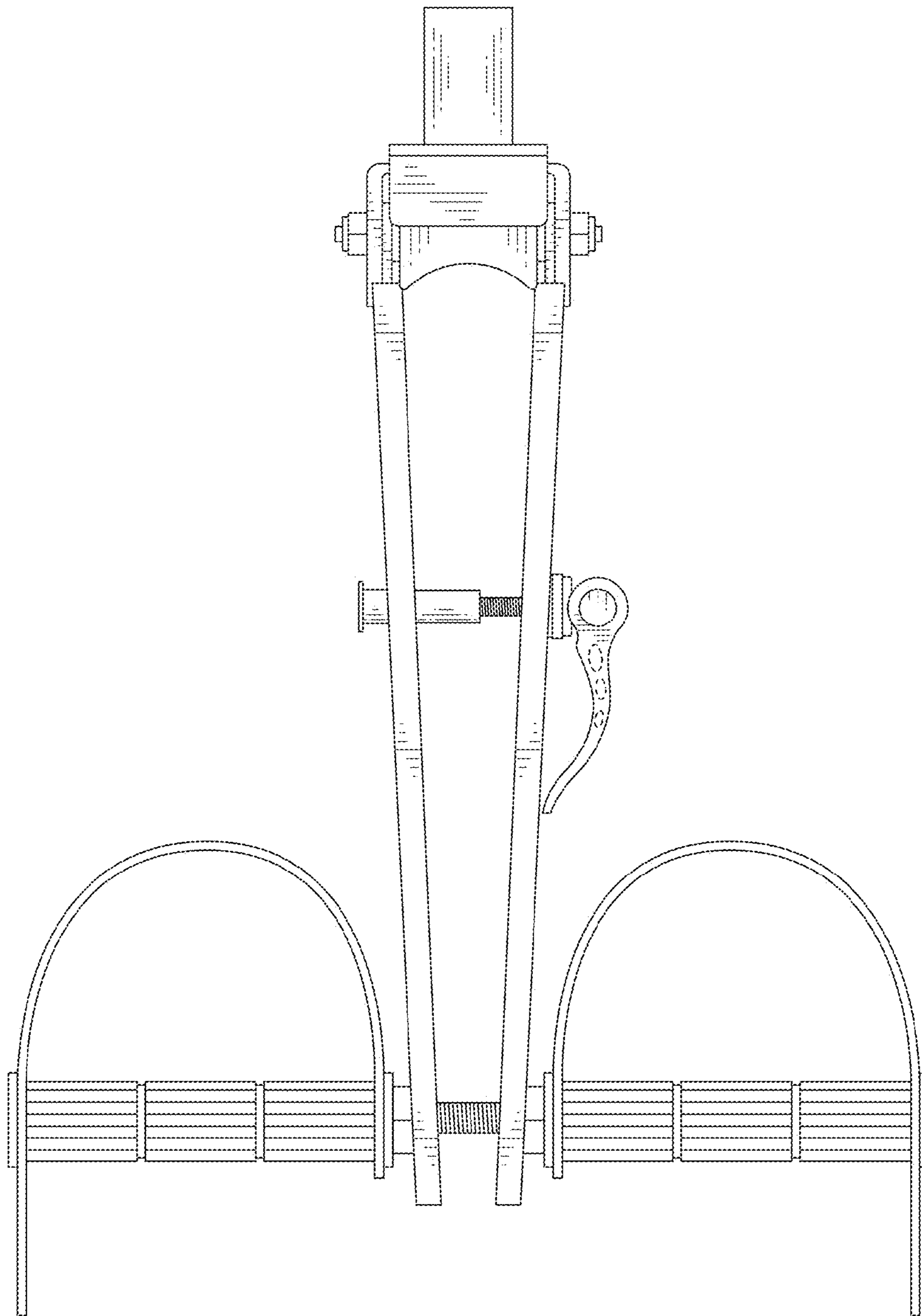


FIG.2

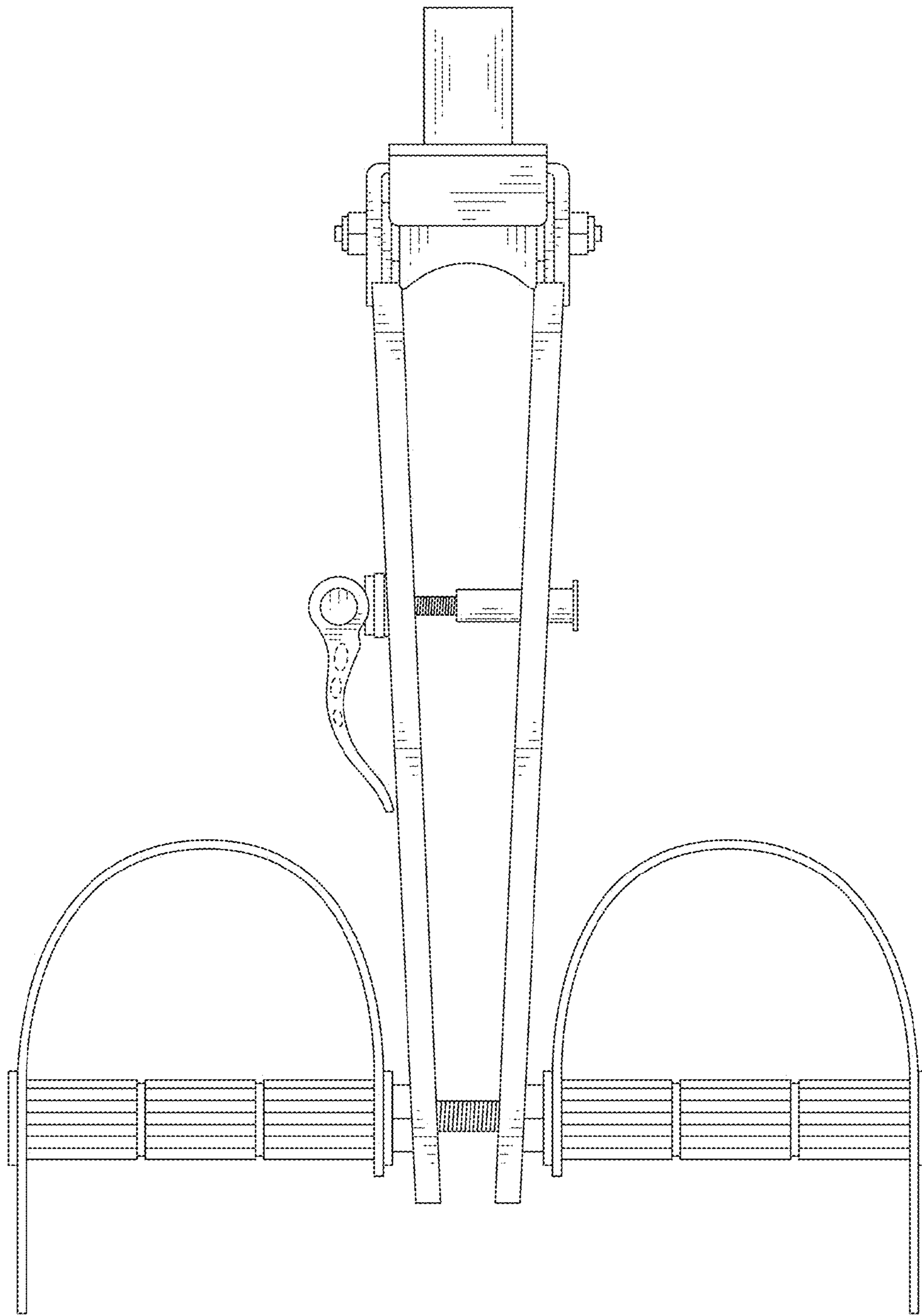


FIG.3

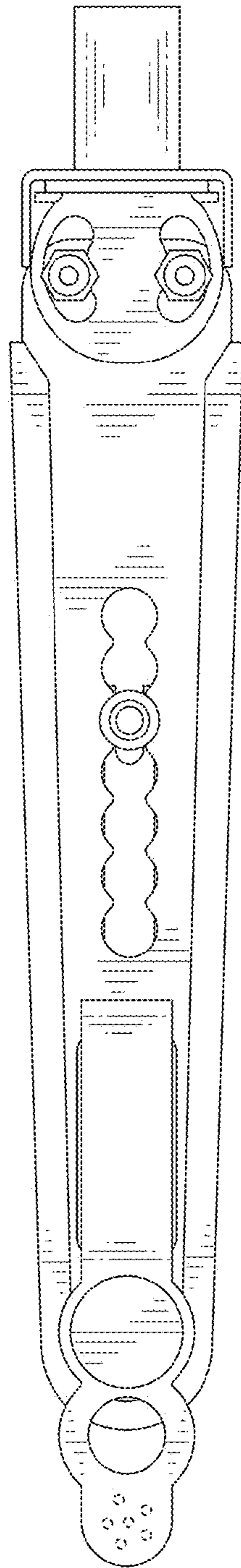


FIG.4

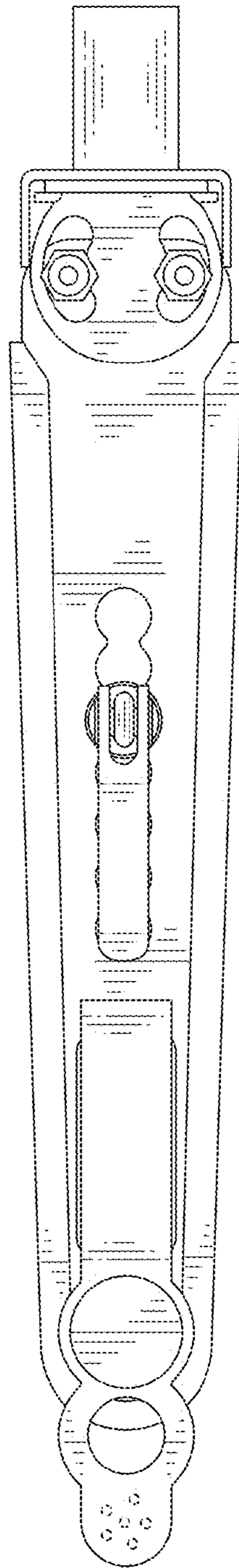


FIG.5

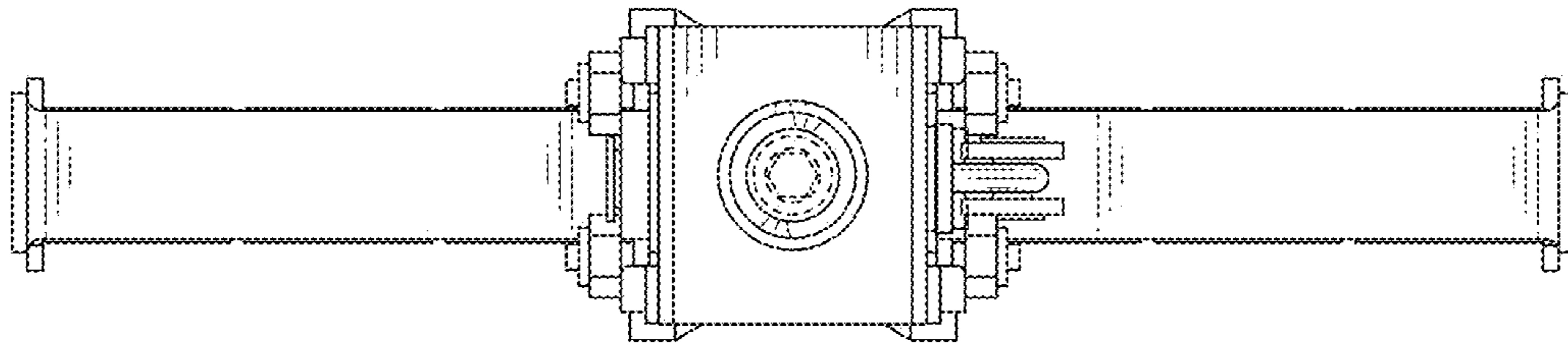


FIG.6

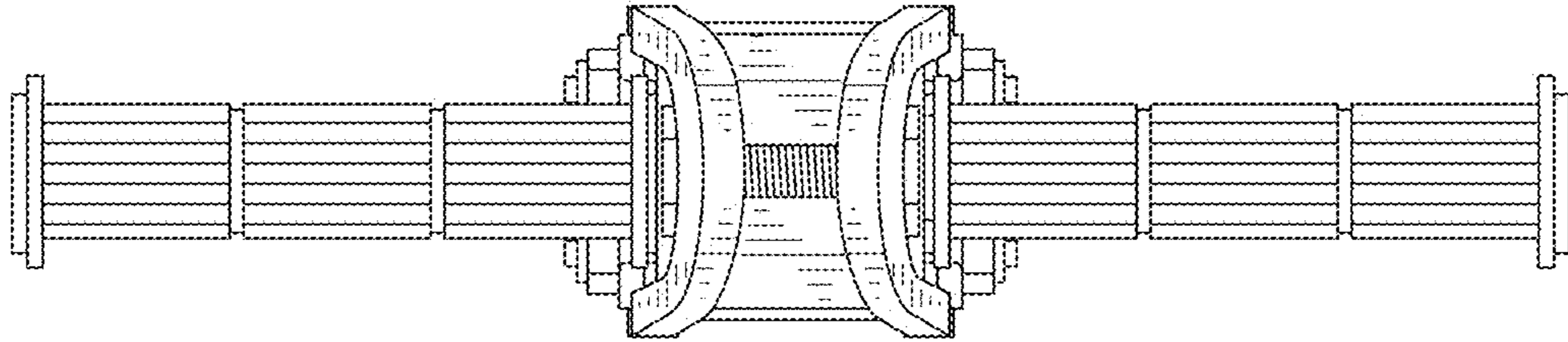


FIG.7

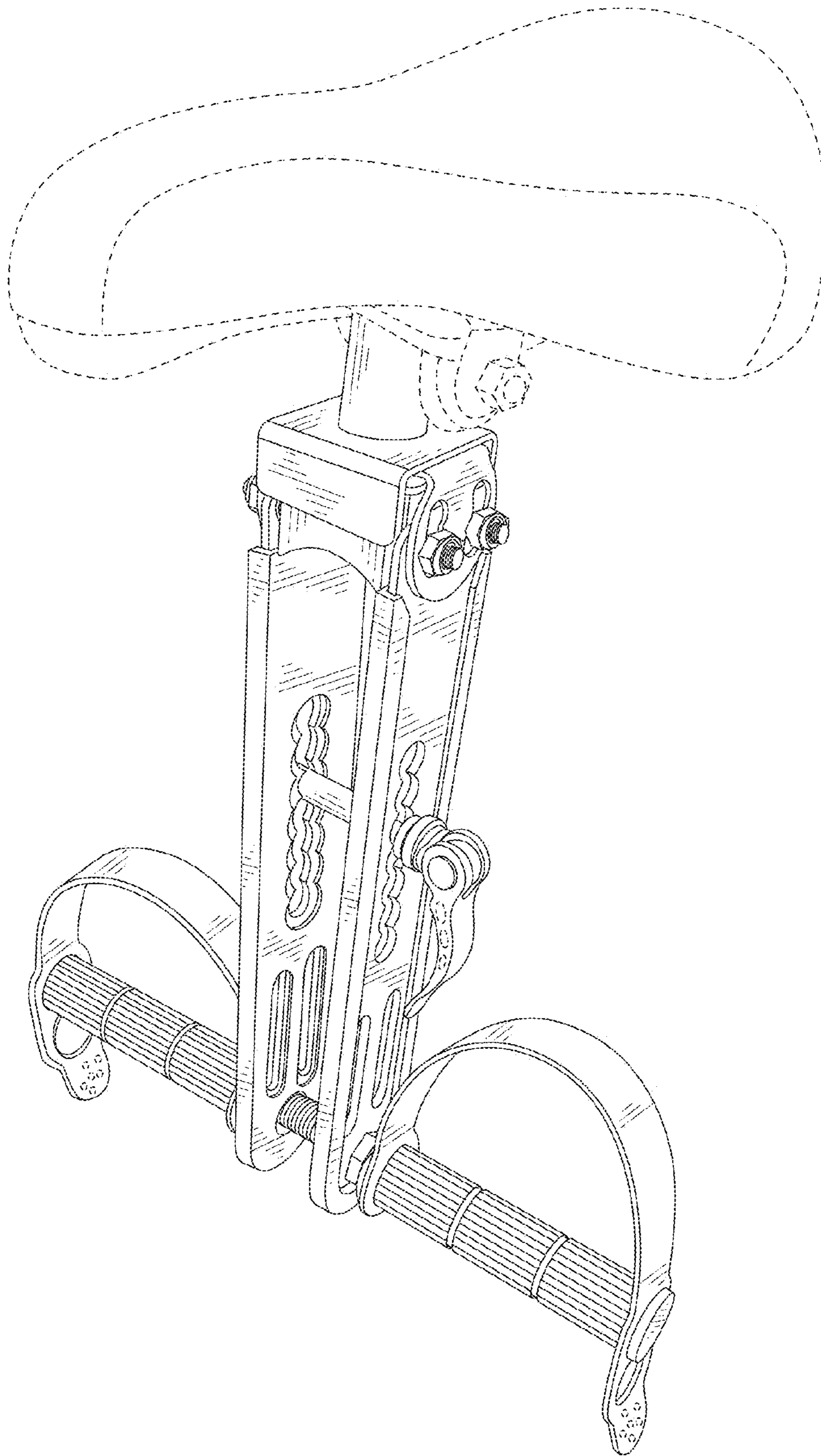


FIG.8