



US00D938863S

(12) **United States Design Patent**
Montesalvo et al.

(10) **Patent No.:** **US D938,863 S**

(45) **Date of Patent:** **** Dec. 21, 2021**

- (54) **CARAVAN**
- (71) Applicant: **PATRIOT CAMPERS PTY LTD.**,
Molendinar (AU)
- (72) Inventors: **Justin Montesalvo**, Meadowbrook
(AU); **Simon Pearce**, Molendinar (AU);
Jack Beet, Molendinar (AU); **Bradley**
Cullen, Molendinar (AU); **Harrison**
Bell, Molendinar (AU); **Kirby James**
Nankivell, Molendinar (AU)

D392,921	S	*	3/1998	McCloud	D12/103
D568,793	S	*	5/2008	Oliver	D12/103
D589,847	S	*	4/2009	Sasnoswki	D12/102
8,141,927	B2	*	3/2012	Kreil	B60P 3/34
						296/26.01
D707,591	S	*	6/2014	Sands	D12/103
D737,726	S	*	9/2015	Austin	D12/104
D762,145	S	*	7/2016	Van Bosstraeten	D12/102
D864,791	S	*	10/2019	Roberts	D12/103
D885,982	S	*	6/2020	Tatro	D12/103
2020/0385069	A1	*	12/2020	Montesalvo	B62D 35/002

* cited by examiner

- (73) Assignee: **PATRIOT CAMPERS HOLDINGS**
PTY LTD., Molendinar (AU)

Primary Examiner — Susan E Krakower

Assistant Examiner — Jerry Shiuan-Hua Hsu

- (**) Term: **15 Years**

(74) *Attorney, Agent, or Firm* — Tucker Ellis LLP

- (21) Appl. No.: **29/715,589**

(57) **CLAIM**

- (22) Filed: **Dec. 3, 2019**

The ornamental design for a caravan, as shown and described.

- (30) **Foreign Application Priority Data**

Jun. 6, 2019 (AU) 201913100

- (51) **LOC (13) Cl.** **12-10**

- (52) **U.S. Cl.**
USPC **D12/103**

- (58) **Field of Classification Search**
USPC D12/19, 129, 100–106, 111–112;
D21/425, 435; D34/21–26, 12, 16–19
CPC B62D 35/00; B62D 35/002; B62D 35/005;
B60P 3/34
See application file for complete search history.

DESCRIPTION

FIG. 1 is a top front right perspective view of a caravan showing our new design;
FIG. 2 is a top rear right perspective view thereof;
FIG. 3 is a top view thereof, shown without the unclaimed boat, for ease of illustration;
FIG. 4 is a right side view thereof;
FIG. 5 is a left side view thereof;
FIG. 6 is a front view thereof; and,
FIG. 7 is a rear view thereof.

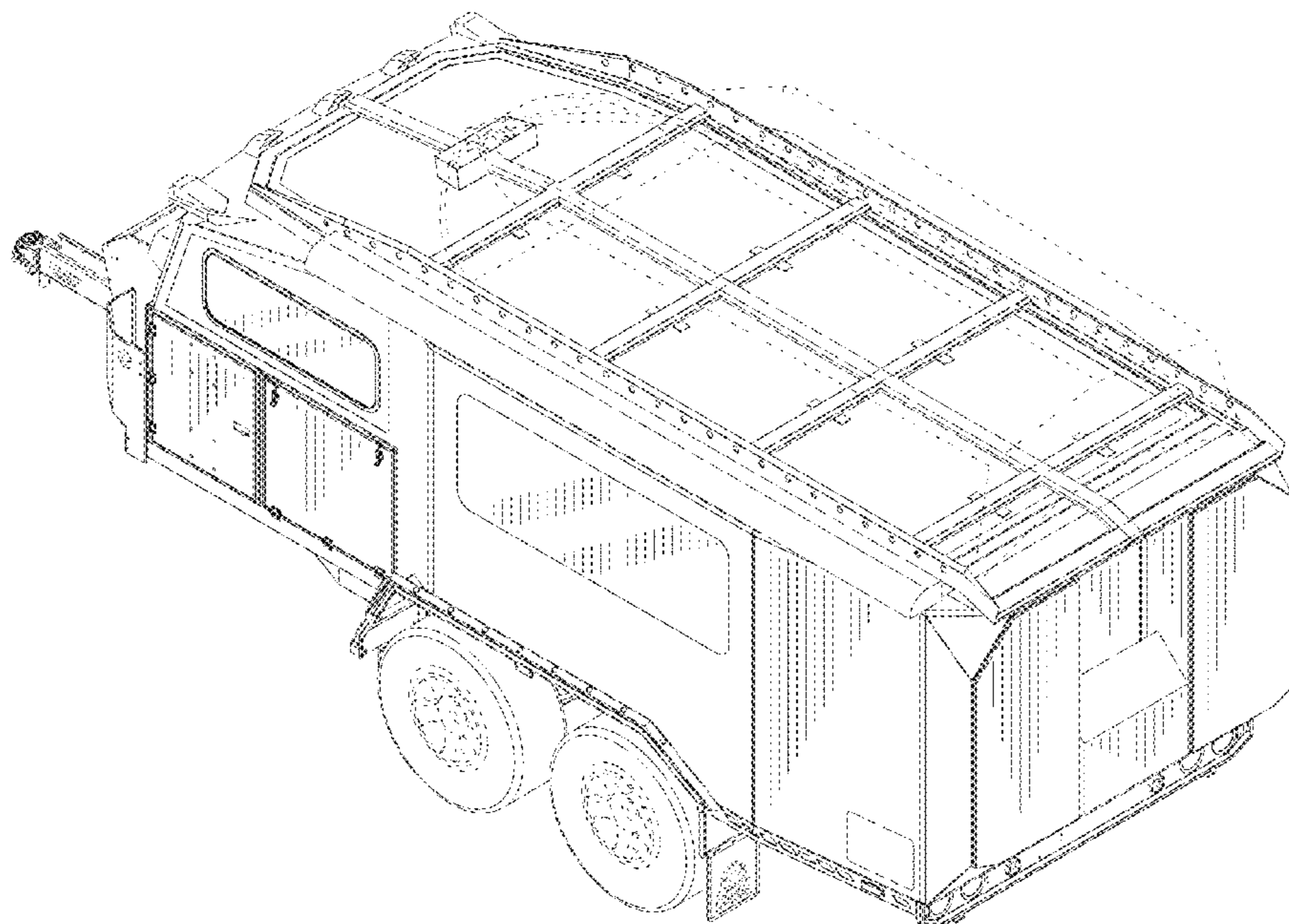
The broken lines show portions of the caravan that form no part of the claimed design. The broken lines depicting a boat on the roof of the caravan shows environmental structure that forms no part of the claimed designs.

- (56) **References Cited**

U.S. PATENT DOCUMENTS

D233,141	S	*	10/1974	Ward	D12/103
D235,755	S	*	7/1975	May	D12/103

1 Claim, 6 Drawing Sheets



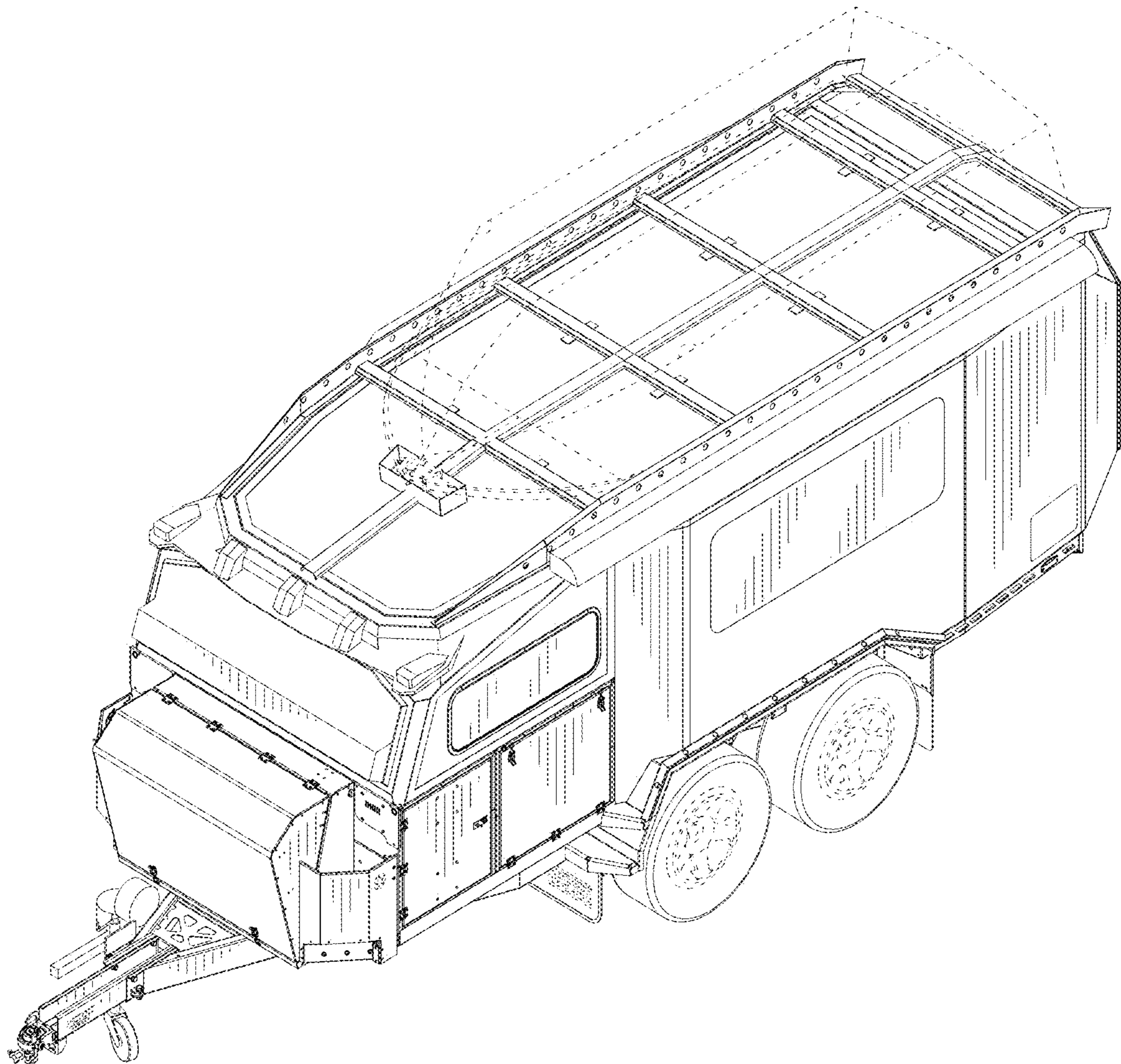


FIG. 1

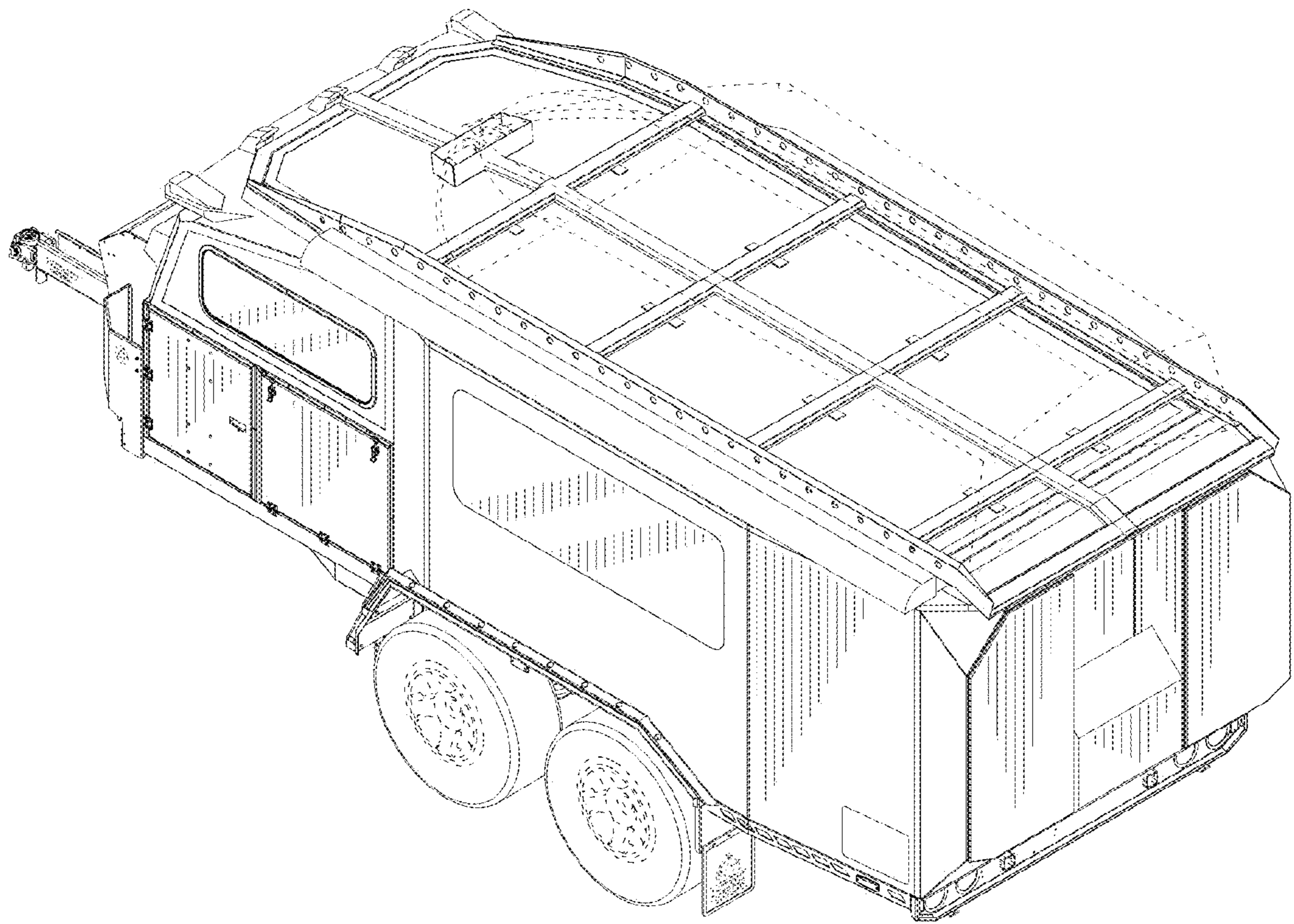


FIG. 2

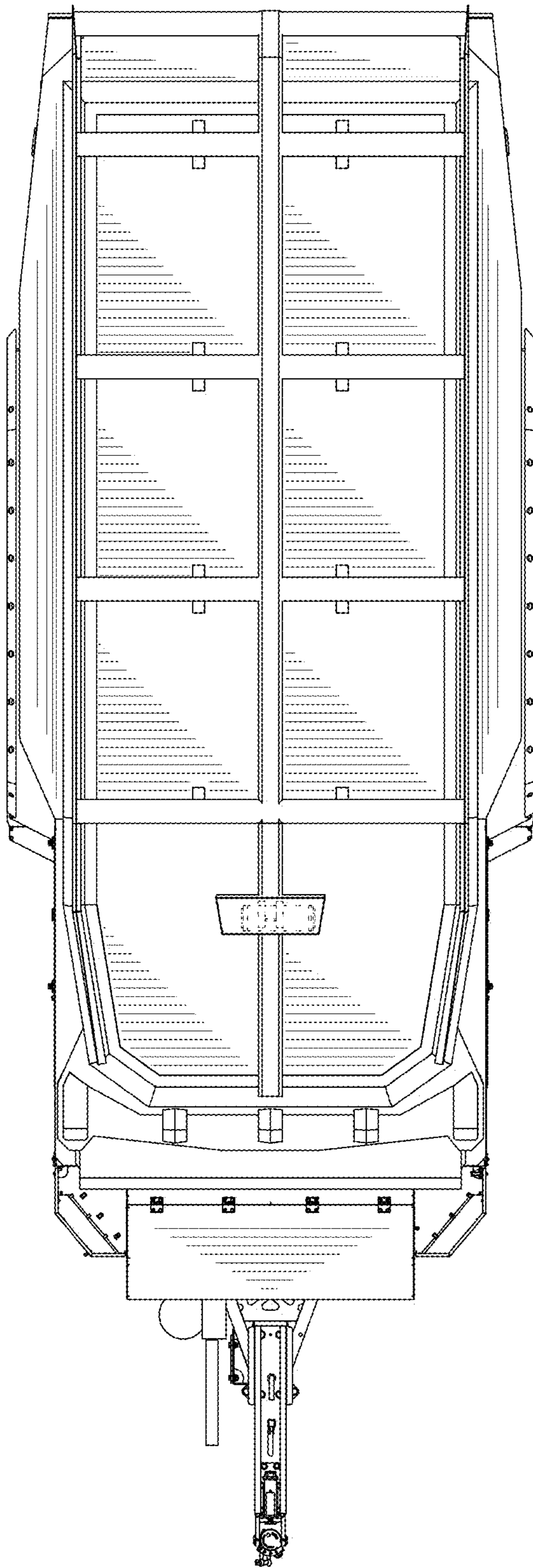


FIG. 3

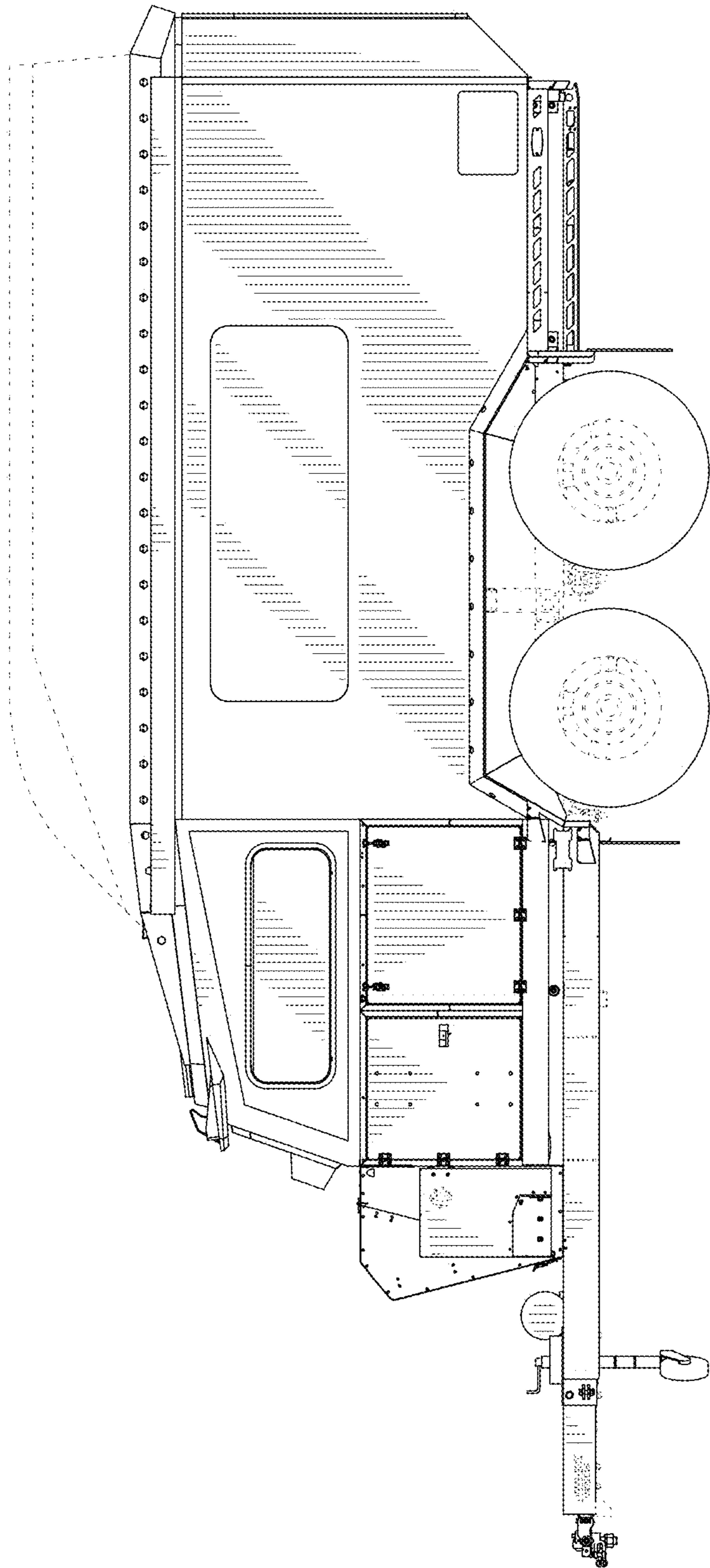


FIG. 4

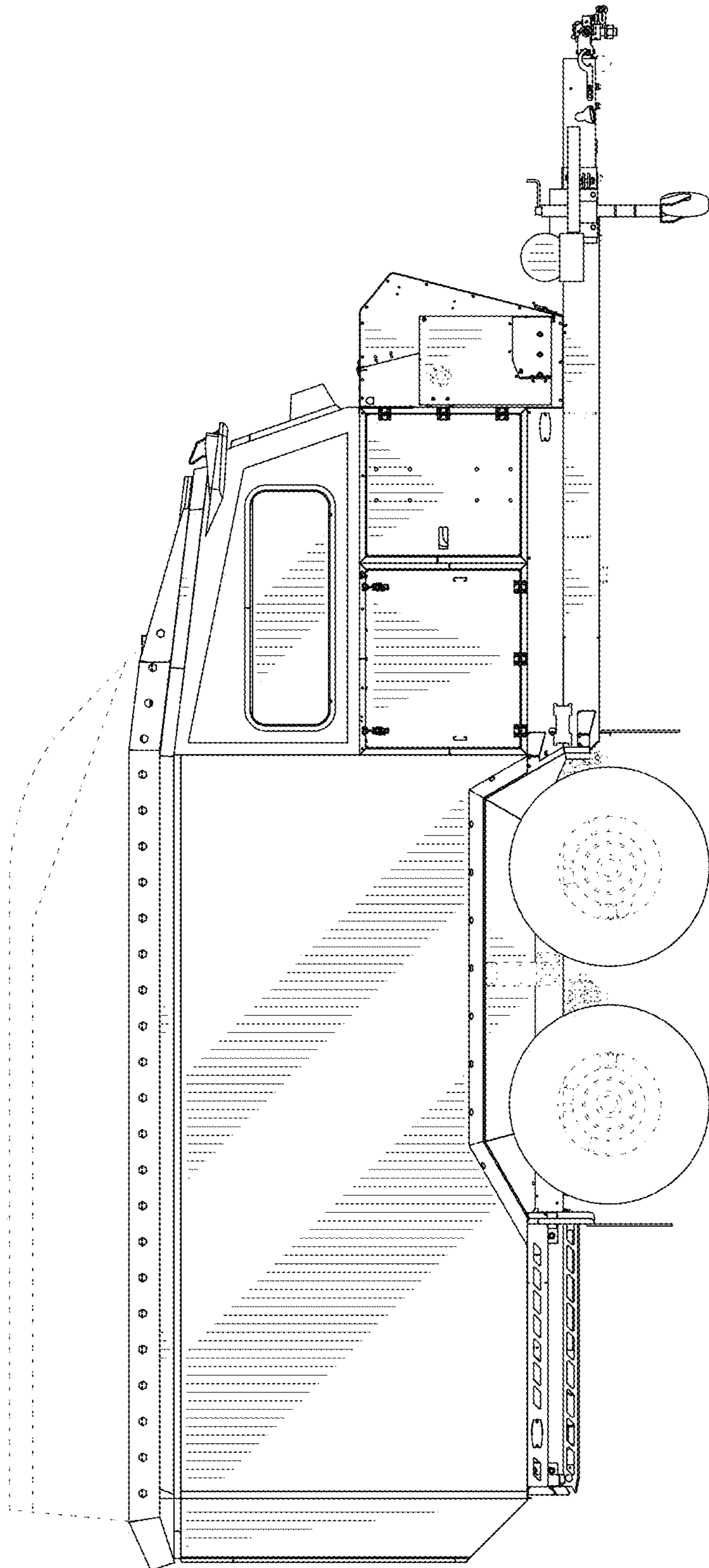


FIG. 5

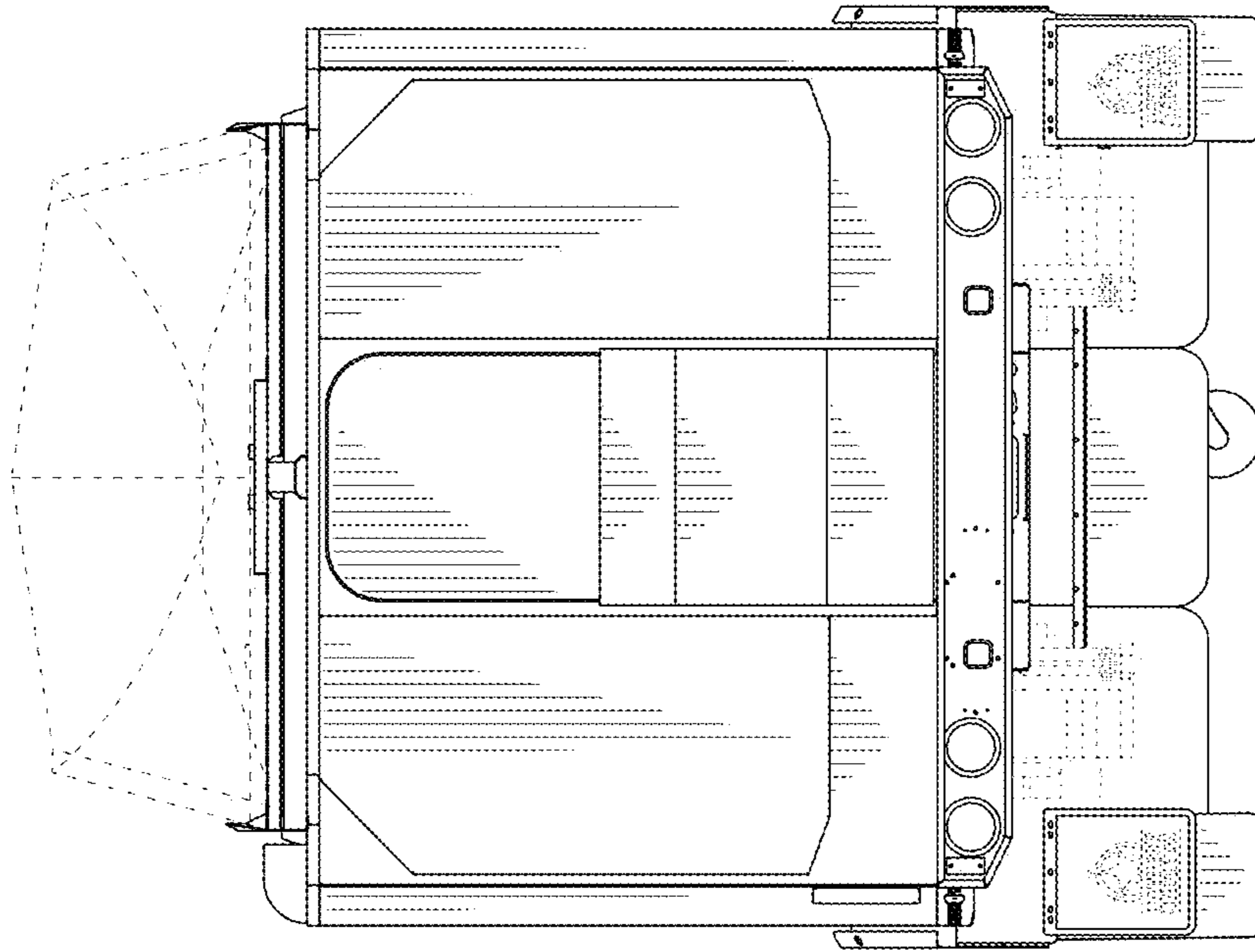


FIG. 7

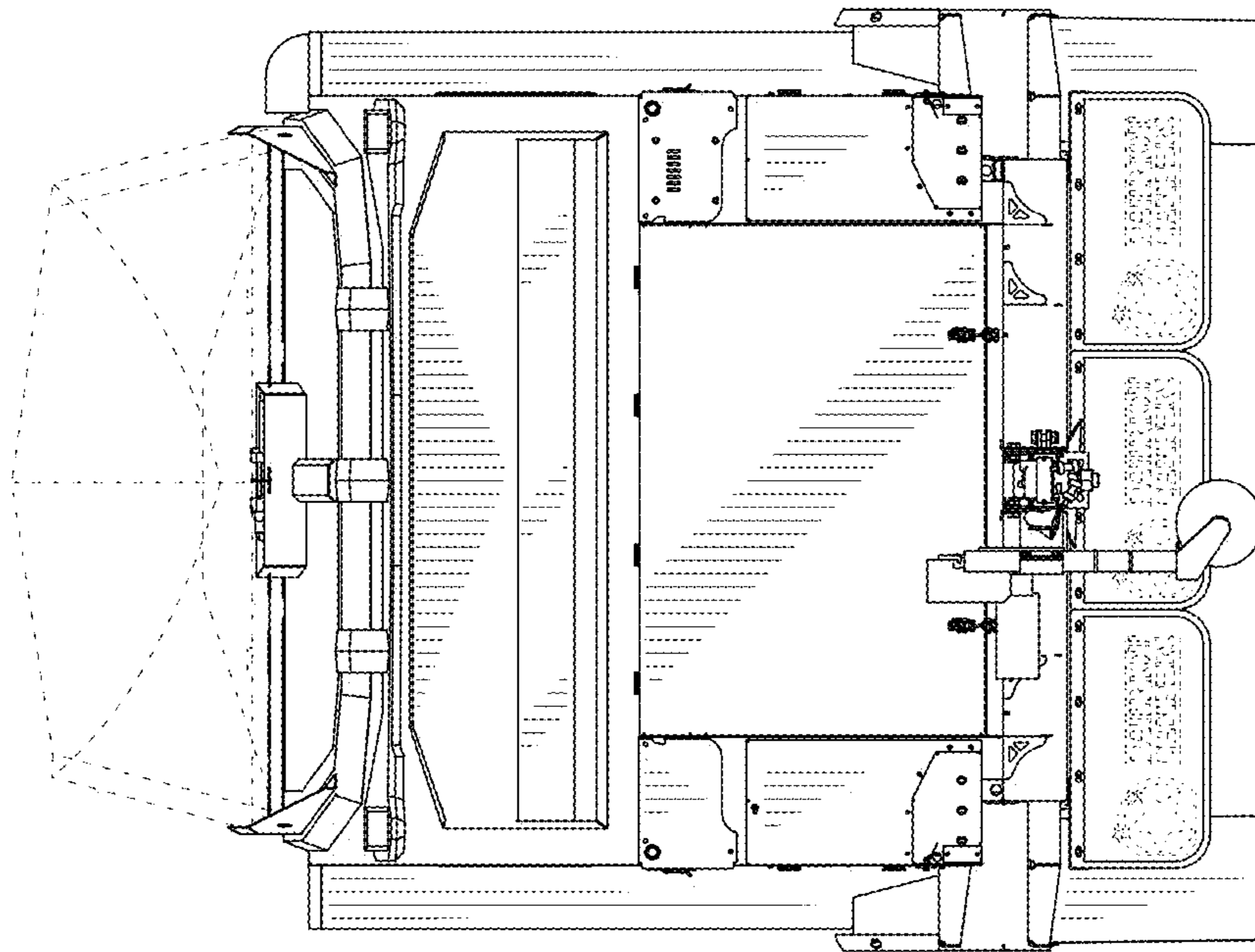


FIG. 6